

# SDL BARS SIMULATED DIVIDED LITES

SMOOTH & FIR

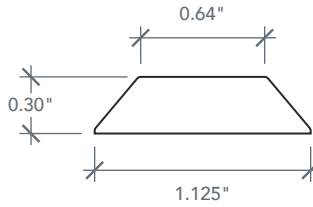
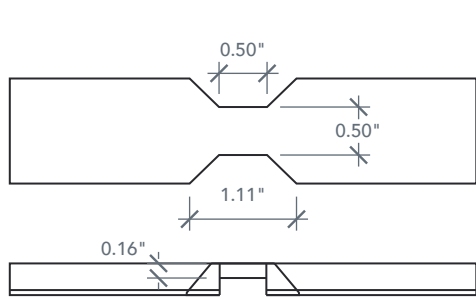
SHAKER PROFILE DOOR OPTIONS

CRAFTSMAN SERIES

2025 PLASTPRO SPECBOOK PAGE: 45

## AVAILABLE SIZING

ARTWORK SCALE: AS NOTED



## SDL BAR SIDE PROFILE

ARTWORK NOT TO SCALE

**ACSDF3S680-3L 3-LITE** FOR 6'8" FIR DOOR

**ACSDS3S680-3L 3-LITE** FOR 6'8" SMOOTH DOOR

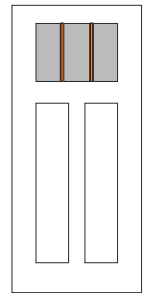


## ACCESSORY INFO

ARTWORK SCALE: 1 1/2"=1"

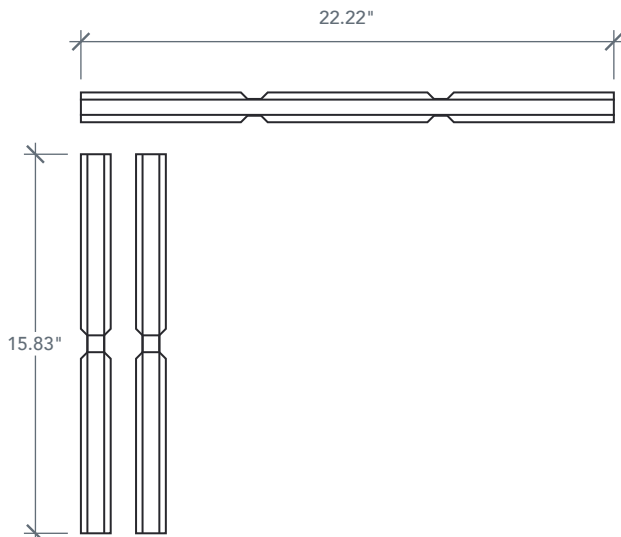
Pieces Per Set: 2  
15.87" SDL Bars ( 2 pcs. )

Matching Doors:  
DRF3SL  
DRS3SL



**ACSDF3S680-6L 6-LITE** FOR 6'8" FIR DOOR

**ACSDS3S680-6L 6-LITE** FOR 6'8" SMOOTH DOOR



## ACCESSORY INFO

ARTWORK SCALE: 1 1/2"=1"

Pieces Per Set: 3  
22.22" SDL Bars ( 1 pcs. )  
15.83" SDL Bars ( 2 pcs. )

Matching Doors:  
DRF3SL  
DRS3SL

