

# SDL BARS SIMULATED DIVIDED LITES

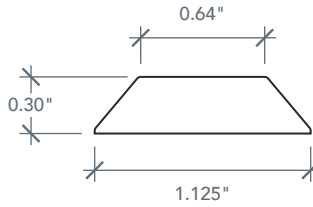
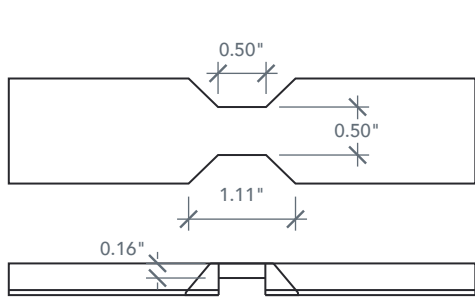
SMOOTH

SHAKER PROFILE DOOR OPTIONS

CRAFTSMAN SERIES

## AVAILABLE SIZING

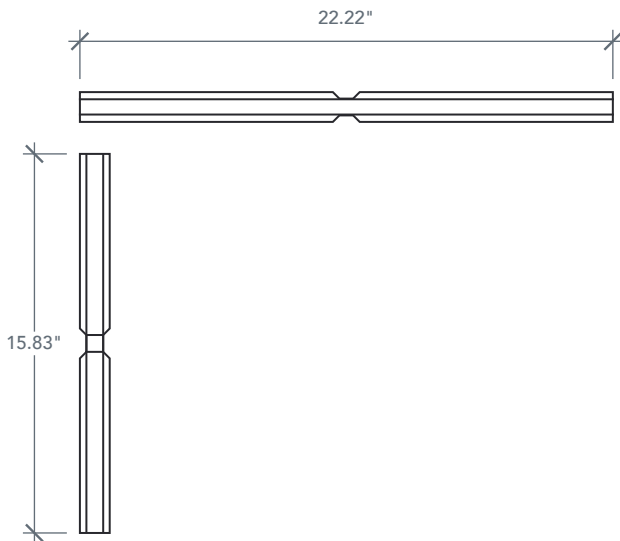
ARTWORK SCALE: AS NOTED



## SDL BAR SIDE PROFILE

ARTWORK NOT TO SCALE

## ACSDS3S680-4L 4-LITE FOR 6'8" SMOOTH DOOR



## ACCESSORY INFO

ARTWORK SCALE: 1 1/2"=1"

### Pieces Per Set: 3

22.22" SDL Bars ( 1 pcs. )

15.83" SDL Bars ( 1 pcs. )

### Matching Doors:

DRS3SL

