



TABLE OF CONTENTS

INTRODUCTION	1-3	OAK SERIES	154-195
Introduction	1	Door Specs	155-181
Plastpro's Quality	2	Sidelite Specs	182-193
Door Specifications	3	Accessory Specs	194
MODERN SERIES	4-11	WHITE OAK SERIES	196-207
Door Specs	5-11	Door Specs	197-203
		Sidelite Specs	204-206
NOVA SERIES	12-33	MAHOGANY SERIES	208-221
Door Specs	13-21	Door Specs	209-215
Sidelite Specs	22-27	Sidelite Specs	216-220
Accessory Specs	28-33		
ONYX SERIES	34-47	LIMITED SERIES	222-225
Door Specs	35-41	Door Specs	223-224
Sidelite Specs	42-47		
CRAFTSMAN SERIES	48-77	COMMERCIAL ADA SERIES	226-229
Door Specs	49-62	Door Specs	227-229
Sidelite Specs	63-70		
Accessory Specs	71-77	DOORLITE SERIES	230-234
RUSTIC SERIES	78-95	Deco Glass Sizes & Cutout Codes	231
Door Specs	79-90	Deco Glass Size Charts	232-233
Sidelite Specs	91	Solution Doorlite Sizes & Glass	234
Accessory Specs	92-95	STAIN & PAINT GUIDES	
SMOOTH SERIES	96-137	TESTING RESULTS	
Door Specs	97-125		
Sidelite Specs	126-134		
Accessory Specs	135-136		
BRUSHED SERIES	138-153		
Door Specs	139-149		
Sidelite Specs	150-153		



Doors are often chosen for their aesthetic qualities; however, their purposes strive beyond simply adding a cohesive look to our homes. They reflect our style, grant privacy, and offer protection for the people we value most in our lives. Our front doors are the gateway for welcoming guests, loved ones, and friends. From ushering us into the start of the day and later welcoming us back, doors are an essential and inviting piece to every house. We want you to choose a door that guarantees security, accommodates your needs, and most importantly, best represents you.

SUSTAINABILITY

Our fiberglass doors are a great, green alternative because they are durable, have a longer lifespan, are energy efficient, and environmentally friendly. We are especially proud of our proprietary foam core- not only does it provide superior insulation, it is compliant with the Environmental Protection Agency's SNAP 20 regulations for cleaner air, contains no Volatile Organic Compounds, and makes use of more sustainable alternatives for foam blowing agents when possible- both zero-ozone-depleting blowing agents and low Global Warming Potential (GWP) blowing agents.

And we can't leave out our fiberglass itself: the material is designed to last for decades and is impervious to time, temperature, and corrosive agents, leading to less waste. The longer lifecycle of the fiberglass material also makes Plastpro doors more cost effective and reduces the amount of resources needed for manufacturing. Plastpro doors require less maintenance than traditional wood doors, which consumes a large part of a building's budget. Over a building's lifetime, maintenance can easily exceed the original construction costs.

ENERGY EFFICIENT

Fiberglass doors are one of the most energy-efficient building products available on the market. Our fiberglass doors maximize insulation with high-density, polyurethane foam cores. Thorough insulation is one of the best ways to reduce energy consumption and building operation costs by sealing out the elements. Therefore, our ENERGY STAR Qualified Doors offer homeowners savings by conserving electricity and lowering bills, while also improving comfort and helping protect the environment.

SECURITY

As a door company, one of our most important goals is providing families with safe homes, which is why the anatomy of our fiberglass doors has been thoughtfully designed to provide one of the most secure doors on the market. Fiberglass doors are much less likely to be dented or damaged by impact compared to their wood counterparts. Plastpro's door skins are manufactured with SMC skin technology, a glass fiber reinforced polyester material that is even stronger than standard fiberglass- making our doors extremely resistant against outside force. Meanwhile, the inside of a Plastpro door is filled with high-density foam that provides firm structural support due to its rigid, tight packing.

Plastpro's doors are also equipped with a full-length lockblock made of laminated veneer lumber (LVL). Most other fiberglass doors have lockblocks that only surround the immediate 18- 20" vicinity of the lock, and the rest of the space above and below is filled in with foam. However, our lumber runs the full vertical length of the door, providing additional rigidity that prevents the door from being kicked in by an intruder or blown in by severe weather. Additionally, the LVL material will absorb bendable stress without snapping, unlike a wood material. Of course, the extended lockblock length also adds holding strength for the lock and can easily accommodate any lock or additional hardware you choose.

PLASTPRO'S QUALITY

PATENTED HYDROSHIELD™ TECHNOLOGY

Our exclusive HydroShield Technology protects our doors against moisture and humidity infiltration by creating a fully composite barrier that encases and protects the door on all six sides. It prevents warping, delamination, corrosion, rotting, and the buildup of mold and mildew. When paired with our PF (Polyfiber) Door Frames, our doors with HydroShield Technology create an impenetrable entryway.



1 FIBERGLASS REINFORCED DOOR SKIN

Our exclusive formula is measured precisely to ensure each skin is produced to the highest quality. We offer many design options, including customizable panel configurations. The skins require little maintenance and will not splinter, dent, warp, rot, or rust. Choose a door skin from a variety of grains that can be painted or stained.

2 FULL-LENGTH COMPOSITE STILES

Our full-length, composite stiles protect the door from external moisture to prevent warping or rotting. They have twice the screw-holding strength of wood.

3 COMPOSITE TOP & BOTTOM RAILS

High-strength, composite top and bottom rails prevent moisture from seeping into the door and prevent the buildup of mold.

4 EXTENDED LOCKBLOCK

Plastpro's full-length LVL allows any type of lock to be placed for increased security. Our 8/0 doors have a steel bar in addition to the LVL to help increase the structure's rigidity.

5 POLYURETHANE FOAM CORE

Our advanced, CFC-free, high-density, polyurethane foam core enhances the door's soundproofing capabilities and provides insulation up to six times greater than wood doors.



BACKED BY WARRANTY

We are proud to offer one of the best warranties in the industry. Plastpro products are held to high standards. We stand behind our products and guarantee the best quality to meet your performance expectations.

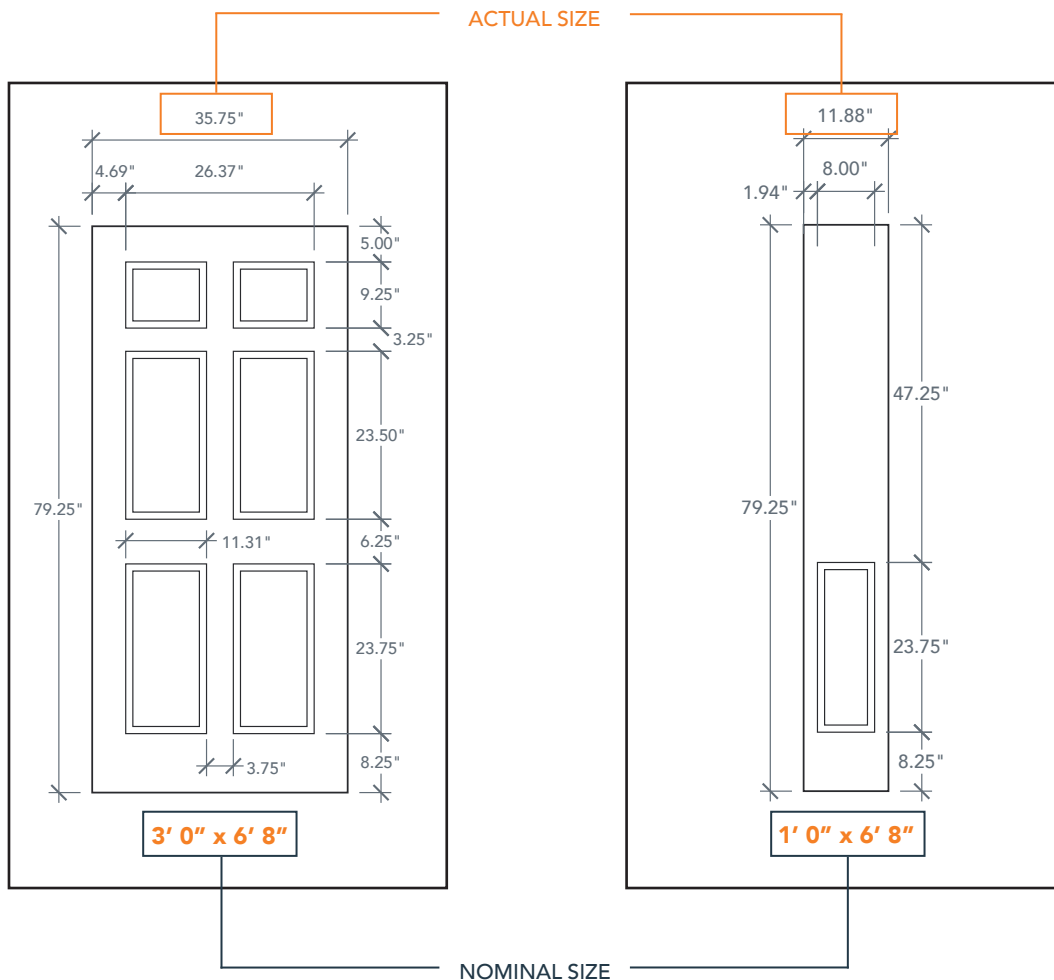
DOOR SPECIFICATIONS

PLASTPRO DOOR SIZES				
WIDTH		X	HEIGHT	
2' 0"	23 3/4"		X	6' 8"
2' 4"	27 3/4"	7' 0"		83 1/4"
2' 6"	29 3/4"	8' 0"		95 1/4"
2' 8"	31 3/4"			
2' 10"	33 3/4"			
3' 0"	35 3/4"			
3' 6"	41 3/4"			

- Nominal Size
 - Actual Size
- Door Thickness: 1 3/4"

PLASTPRO SIDELITE SIZES				
WIDTH		X	HEIGHT	
1' 0"	11 7/8"		X	6' 8"
1' 2"	13 7/8"	7' 0"		83 1/4"
		8' 0"		95 1/4"

- Nominal Size
 - Actual Size
- Sidelite Thickness: 1 3/4"



MODERN SERIES

There's something special about a clean, minimalistic modern look that magically draws us in, which explains why Plastpro had to launch the compelling Modern Series. An effortless, contemporary door design that makes any home's exterior profoundly refreshing. It all makes sense why this series lies in popular demand. Available in our oak grain and smooth doors, our simple panel details and single patterned glass adds a sharp flare to upscale the look of any home.

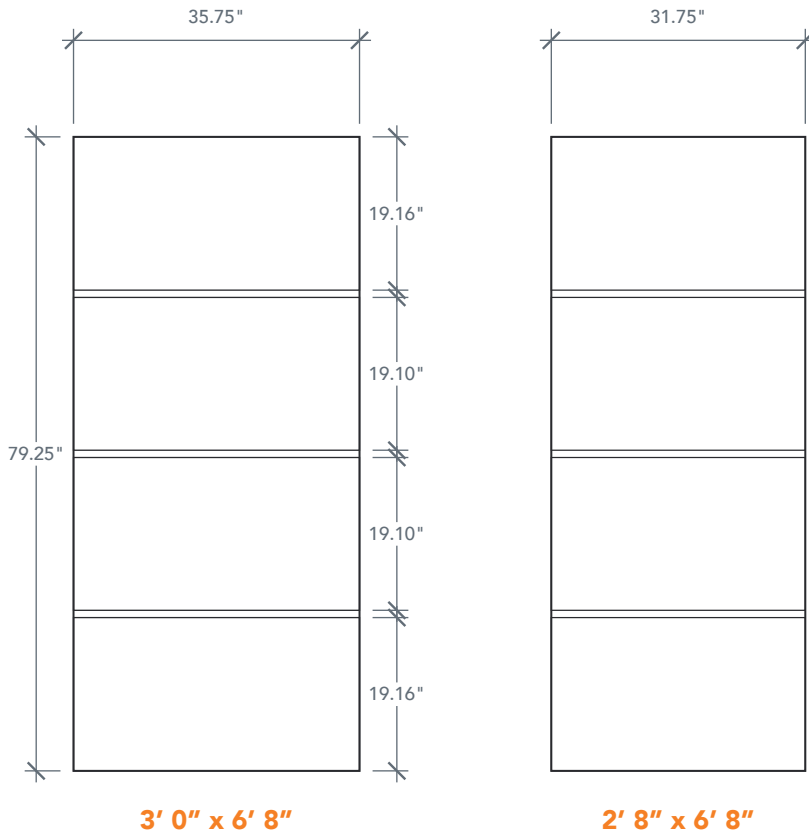
PG 4 - 11

6'8" DMG46 SOUTH BEACH DOOR

OAK GRAIN

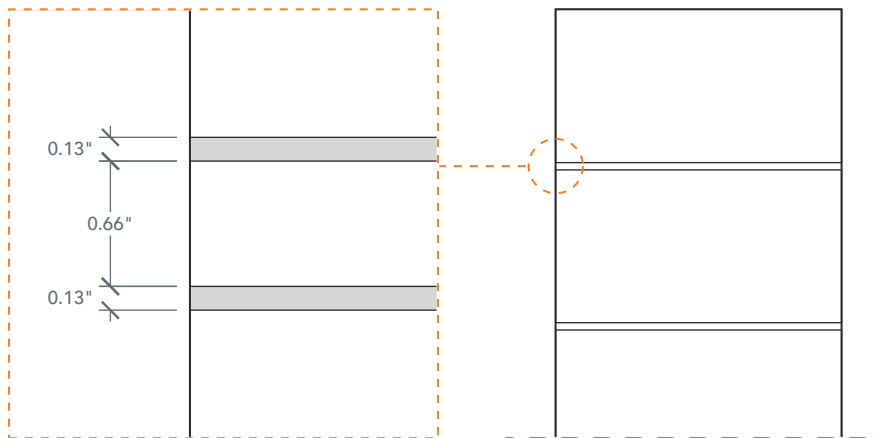
AVAILABLE SIZING

ARTWORK SCALE: 1/2"=1'



NOTE: BY REQUEST, DOOR HEIGHT COMES IN VARYING DIMENSIONS TO A MINIMUM OF 79". EXCESS WILL BE TAKEN FROM BOTTOM RAIL. ALL OTHER DIMENSIONS WILL REMAIN THE SAME.

CARVING DETAIL CLOSE UP

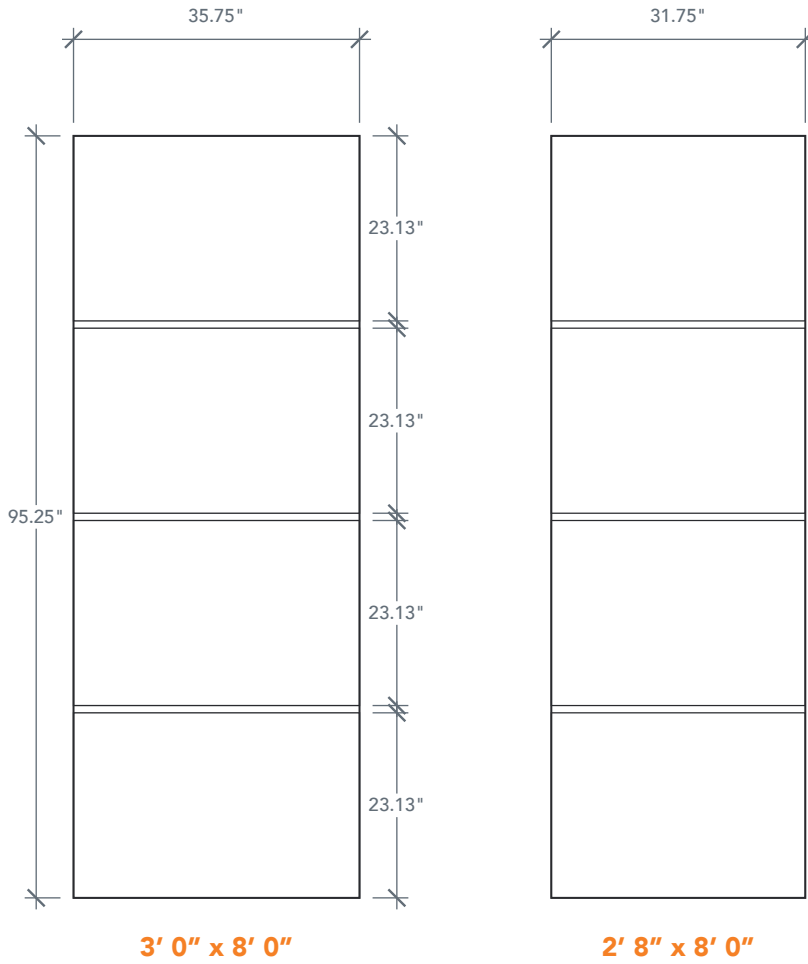


8'0" DMG4680 SOUTH BEACH DOOR

OAK GRAIN

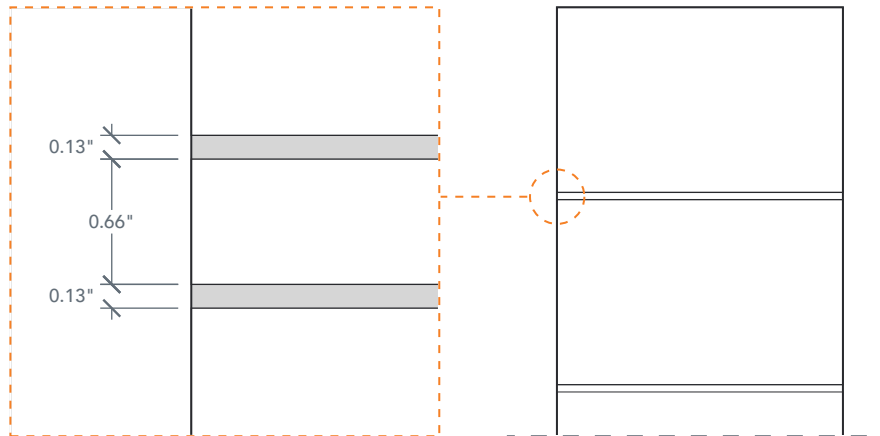
AVAILABLE SIZING

ARTWORK SCALE: 1/2"=1'



NOTE: BY REQUEST, DOOR HEIGHT COMES IN VARYING DIMENSIONS TO A MINIMUM OF 95". EXCESS WILL BE TAKEN FROM BOTTOM RAIL. ALL OTHER DIMENSIONS WILL REMAIN THE SAME.

CARVING DETAIL CLOSE UP

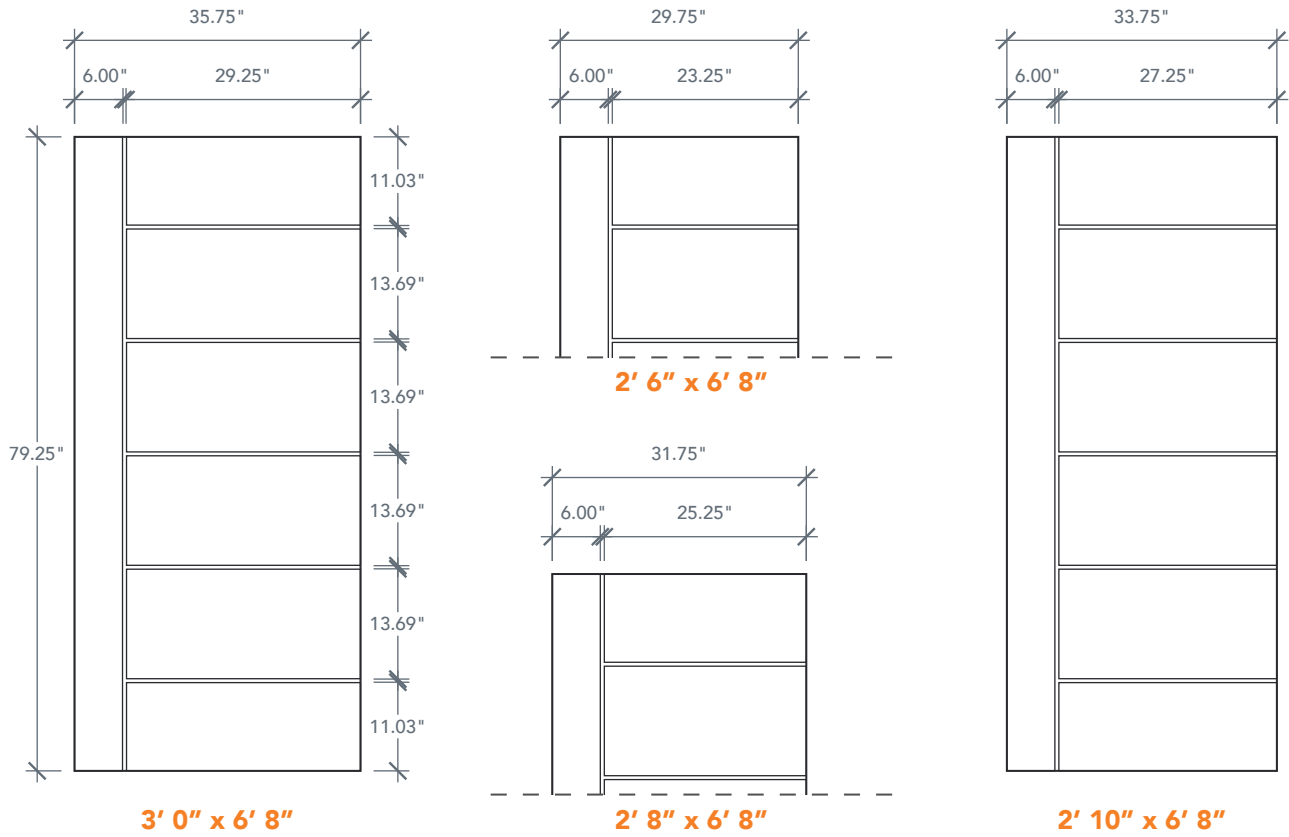


6'8" DMG51 NAPOLI DOOR

OAK GRAIN

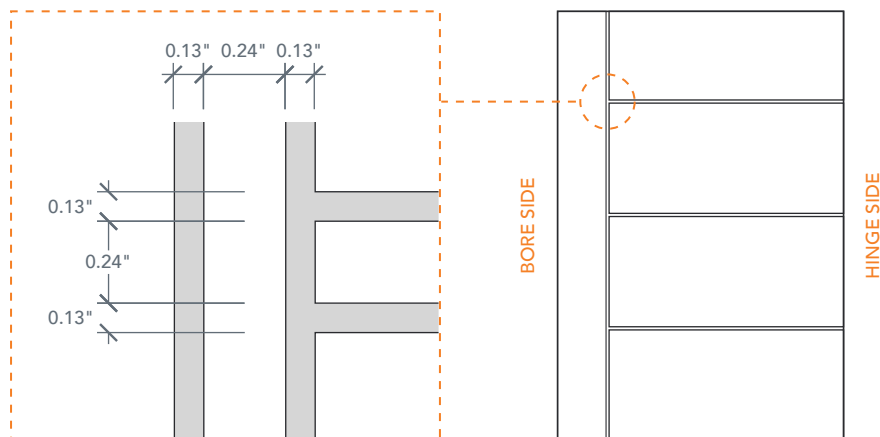
AVAILABLE SIZING

ARTWORK SCALE: 1/2"=1'



NOTE: BY REQUEST, DOOR HEIGHT COMES IN VARYING DIMENSIONS TO A MINIMUM OF 79". EXCESS WILL BE TAKEN FROM BOTTOM RAIL. ALL OTHER DIMENSIONS WILL REMAIN THE SAME.

CARVING DETAIL CLOSE UP

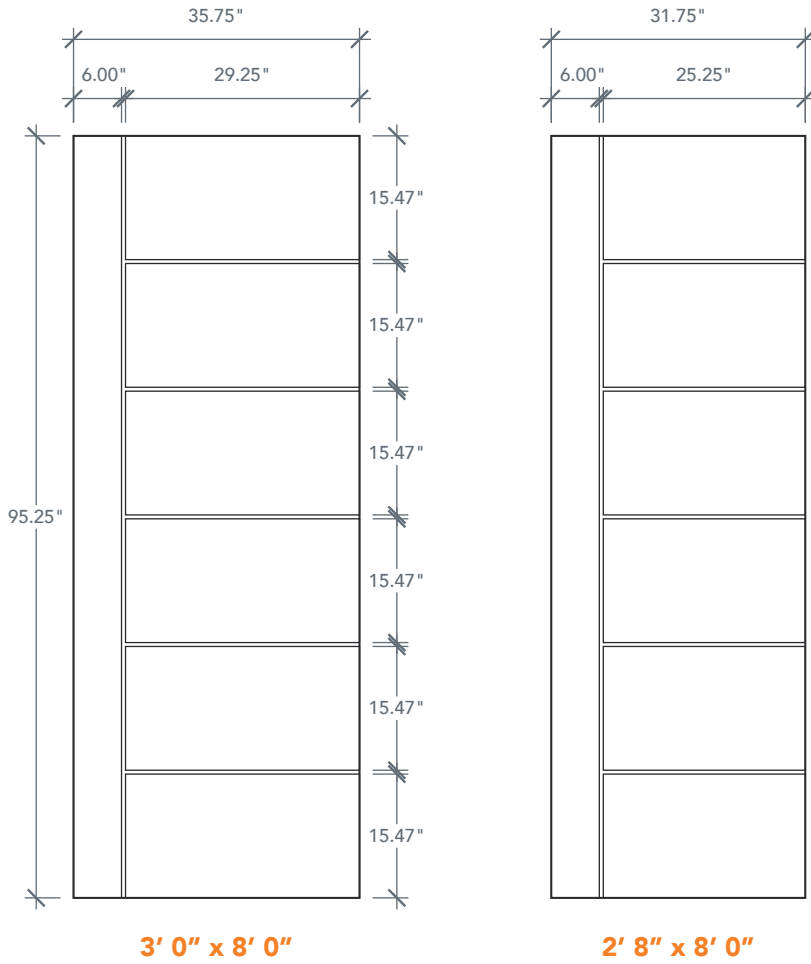


8'0" DMG5180 NAPOLI DOOR

OAK GRAIN

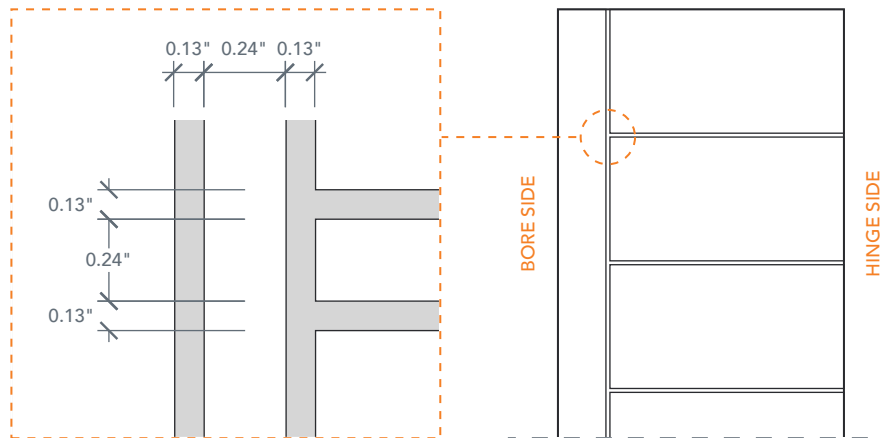
AVAILABLE SIZING

ARTWORK SCALE: 1/2"=1'



NOTE: BY REQUEST, DOOR HEIGHT COMES IN VARYING DIMENSIONS TO A MINIMUM OF 95". EXCESS WILL BE TAKEN FROM BOTTOM RAIL. ALL OTHER DIMENSIONS WILL REMAIN THE SAME.

CARVING DETAIL CLOSE UP



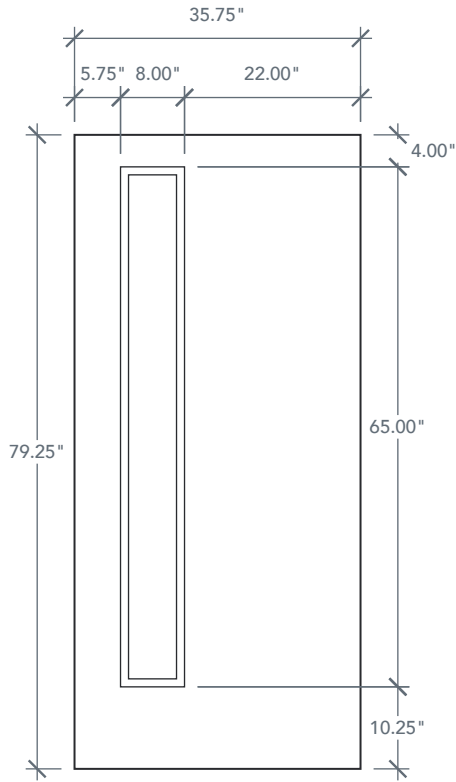
6'8" DMS1L BIENVENUE DOOR

SMOOTH SKIN

FLUSH GLAZED LEFT LITE

AVAILABLE SIZING

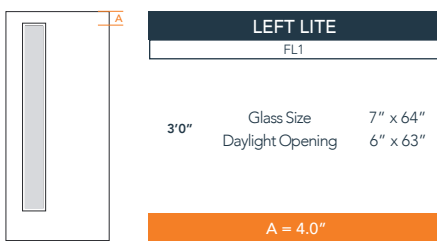
ARTWORK SCALE: 1/2"=1'



3' 0" x 6' 8"

NOTE: BY REQUEST, DOOR HEIGHT COMES IN VARYING DIMENSIONS TO A MINIMUM OF 79". EXCESS WILL BE TAKEN FROM BOTTOM RAIL. ALL OTHER DIMENSIONS WILL REMAIN THE SAME.

GLASS & DAYLIGHT OPENING



A = DISTANCE FROM TOP OF DOOR TO TOP OF OPENING

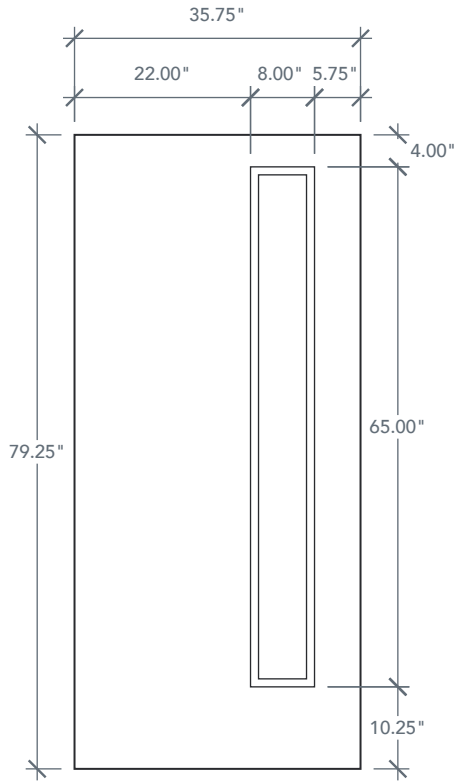
6'8" DMS1R BIENVENUE DOOR

SMOOTH SKIN

FLUSH GLAZED RIGHT LITE

AVAILABLE SIZING

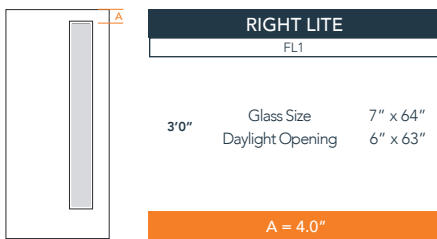
ARTWORK SCALE: 1/2"=1'



3' 0" x 6' 8"

NOTE: BY REQUEST, DOOR HEIGHT COMES IN VARYING DIMENSIONS TO A MINIMUM OF 79". EXCESS WILL BE TAKEN FROM BOTTOM RAIL. ALL OTHER DIMENSIONS WILL REMAIN THE SAME.

GLASS & DAYLIGHT OPENING



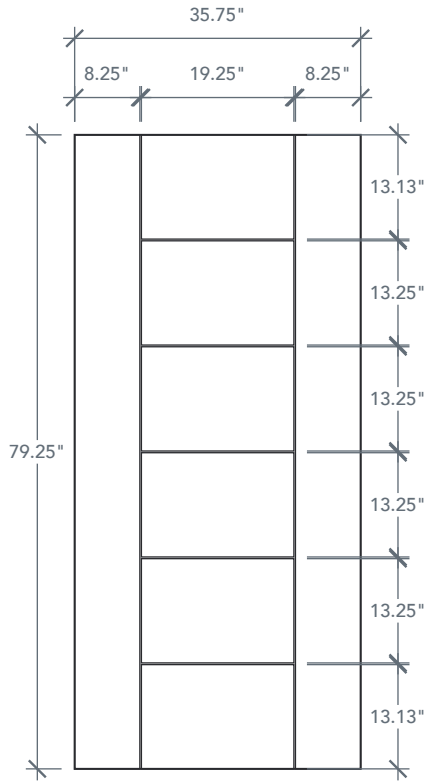
A = DISTANCE FROM TOP OF DOOR TO TOP OF OPENING

6'8" DMS5H INFINITY DOOR

SMOOTH SKIN

AVAILABLE SIZING

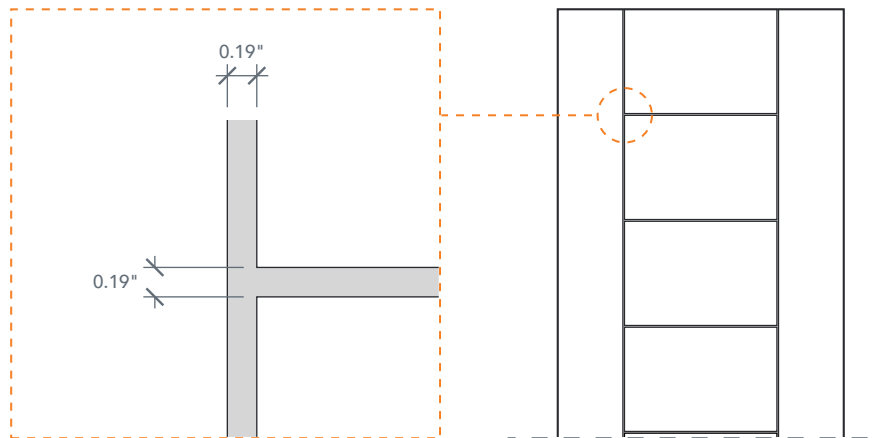
ARTWORK SCALE: 1/2"=1'



3' 0" x 6' 8"

NOTE: BY REQUEST, DOOR HEIGHT COMES IN VARYING DIMENSIONS TO A MINIMUM OF 79". EXCESS WILL BE TAKEN FROM BOTTOM RAIL. ALL OTHER DIMENSIONS WILL REMAIN THE SAME.

CARVING DETAIL CLOSE UP



NOVA SERIES

Plastpro's Nova Series is an absolute stunner that will turn your entryway into the neighborhood's main attraction. Our Nova Series is most notable for the tall spotless glass that is directly glazed into the door to create a seamless blend between the glass and door. The large glass pane can be outlined in two models: the 45 with a traditional, Craftsman sticking, in a Smooth or Fir skin, and the 90 with a modern, Shaker sticking and Brushed Smooth finish. Welcome beautiful scenery, natural light, and most importantly your loved ones into a space that outsiders can't help but envy a little.

PG 12 - 33

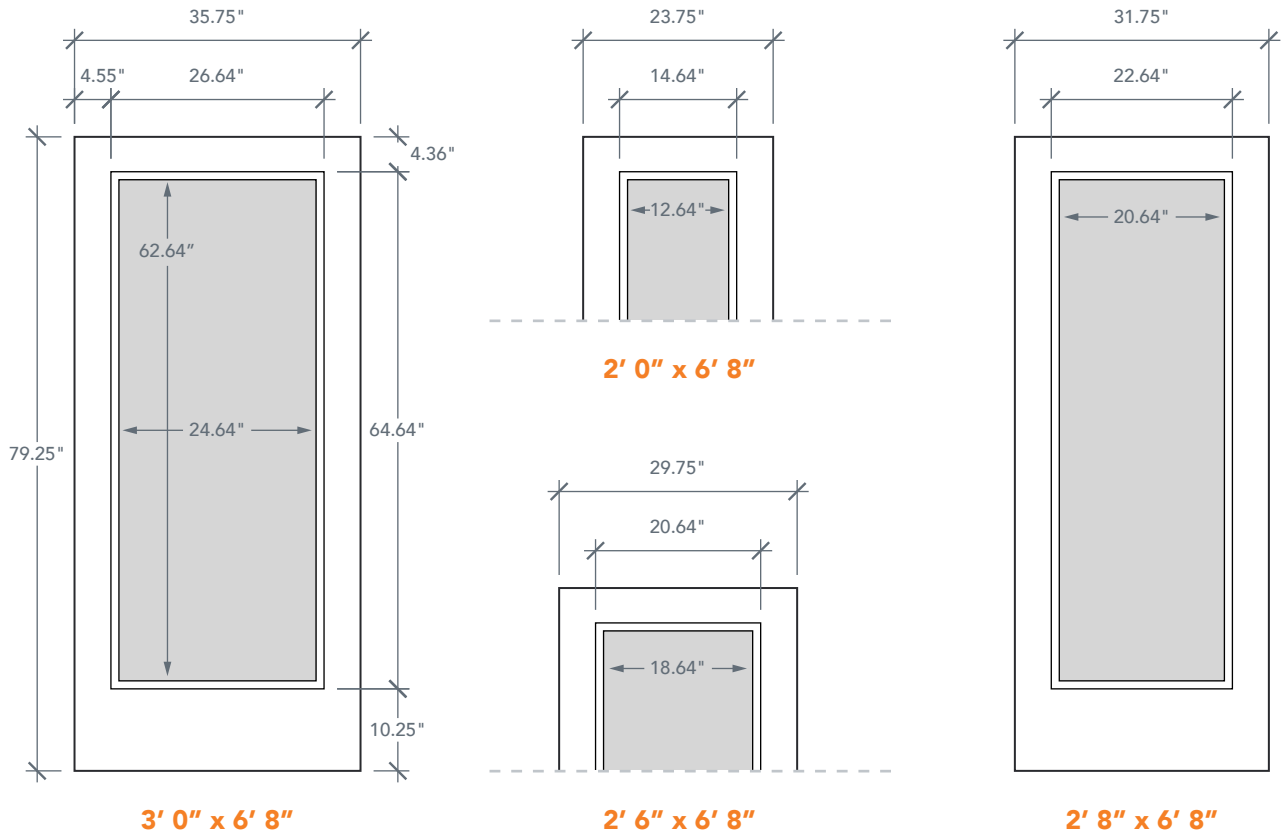
6'8" DRS1DL/DRF1DL NOVA 45 FULL LITE

SMOOTH FIR

DIRECT GLAZED

AVAILABLE SIZING

ARTWORK SCALE: 1/2"=1'



NOTE: BY REQUEST, DOOR HEIGHT COMES IN VARYING DIMENSIONS TO A MINIMUM OF 79". EXCESS WILL BE TAKEN FROM BOTTOM RAIL. ALL OTHER DIMENSIONS WILL REMAIN THE SAME.

8'0" DRS1D80L/DRF1D80L NOVA 45 FULL LITE

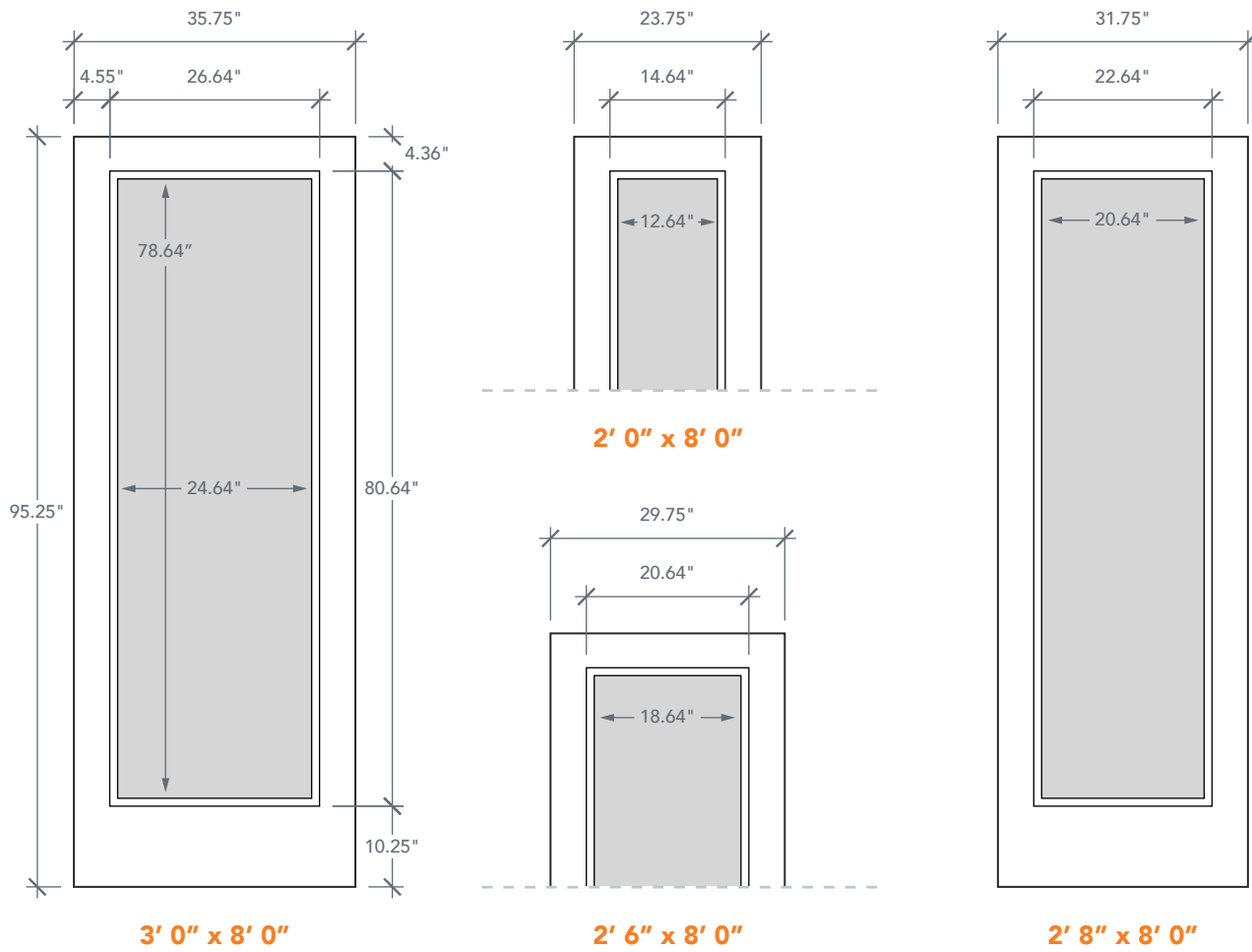
SMOOTH

FIR

DIRECT GLAZED

AVAILABLE SIZING

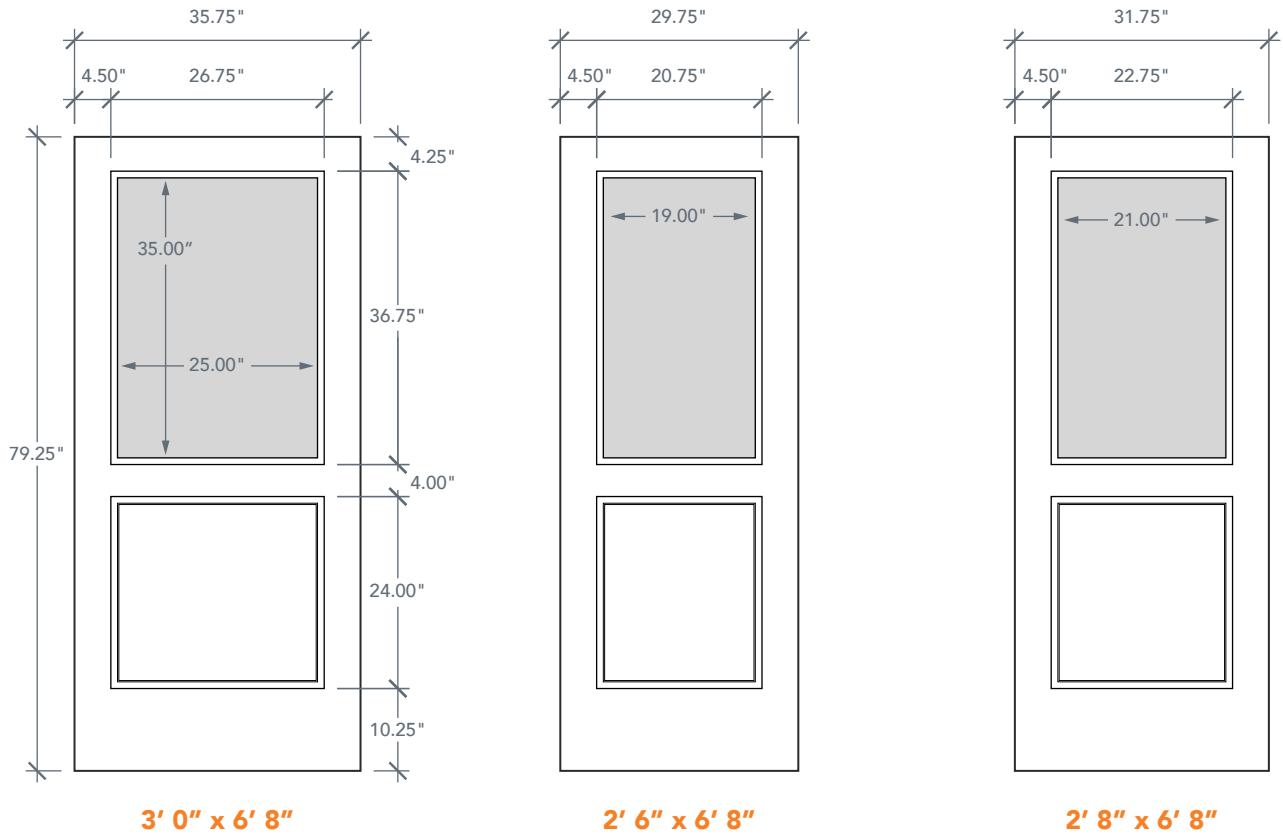
ARTWORK SCALE: 1/2"=1'



NOTE: BY REQUEST, DOOR HEIGHT COMES IN VARYING DIMENSIONS TO A MINIMUM OF 95". EXCESS WILL BE TAKEN FROM BOTTOM RAIL. ALL OTHER DIMENSIONS WILL REMAIN THE SAME.

AVAILABLE SIZING

ARTWORK SCALE: 1/2"=1'



NOTE: BY REQUEST, DOOR HEIGHT COMES IN VARYING DIMENSIONS TO A MINIMUM OF 79". EXCESS WILL BE TAKEN FROM BOTTOM RAIL. ALL OTHER DIMENSIONS WILL REMAIN THE SAME.

MATCHING SIDELITES



SLS1H

Available Widths:

- 1' 0"
- 1' 2"

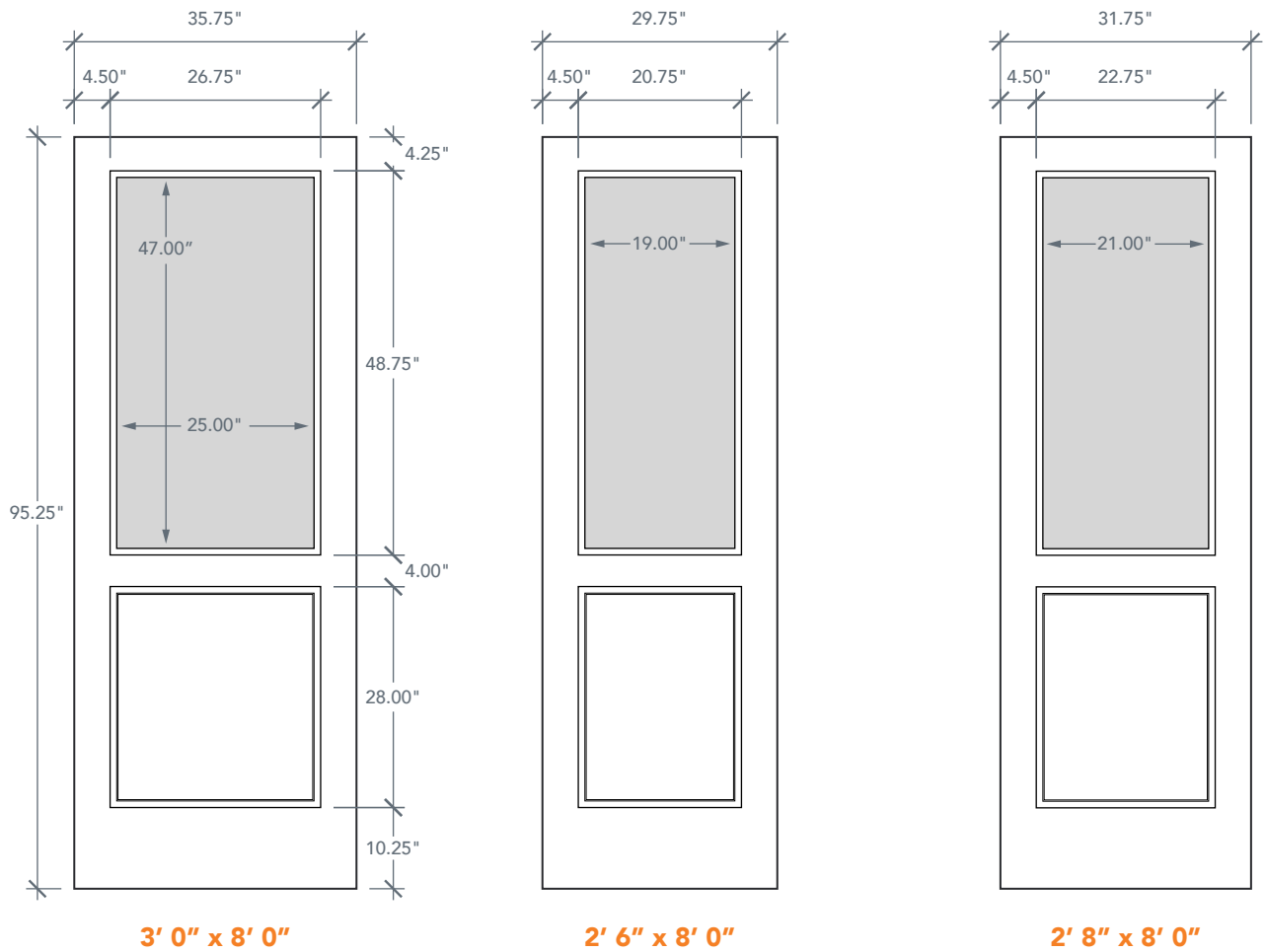
8'0" DRS1H80 NOVA 90 1/2 LITE

BRUSHED SMOOTH

DIRECT GLAZED

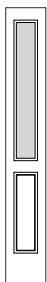
AVAILABLE SIZING

ARTWORK SCALE: 1/2"=1'



NOTE: BY REQUEST, DOOR HEIGHT COMES IN VARYING DIMENSIONS TO A MINIMUM OF 95". EXCESS WILL BE TAKEN FROM BOTTOM RAIL. ALL OTHER DIMENSIONS WILL REMAIN THE SAME.

MATCHING SIDELITES



SLS1H80

Available Widths:

- 1' 0"
- 1' 2"

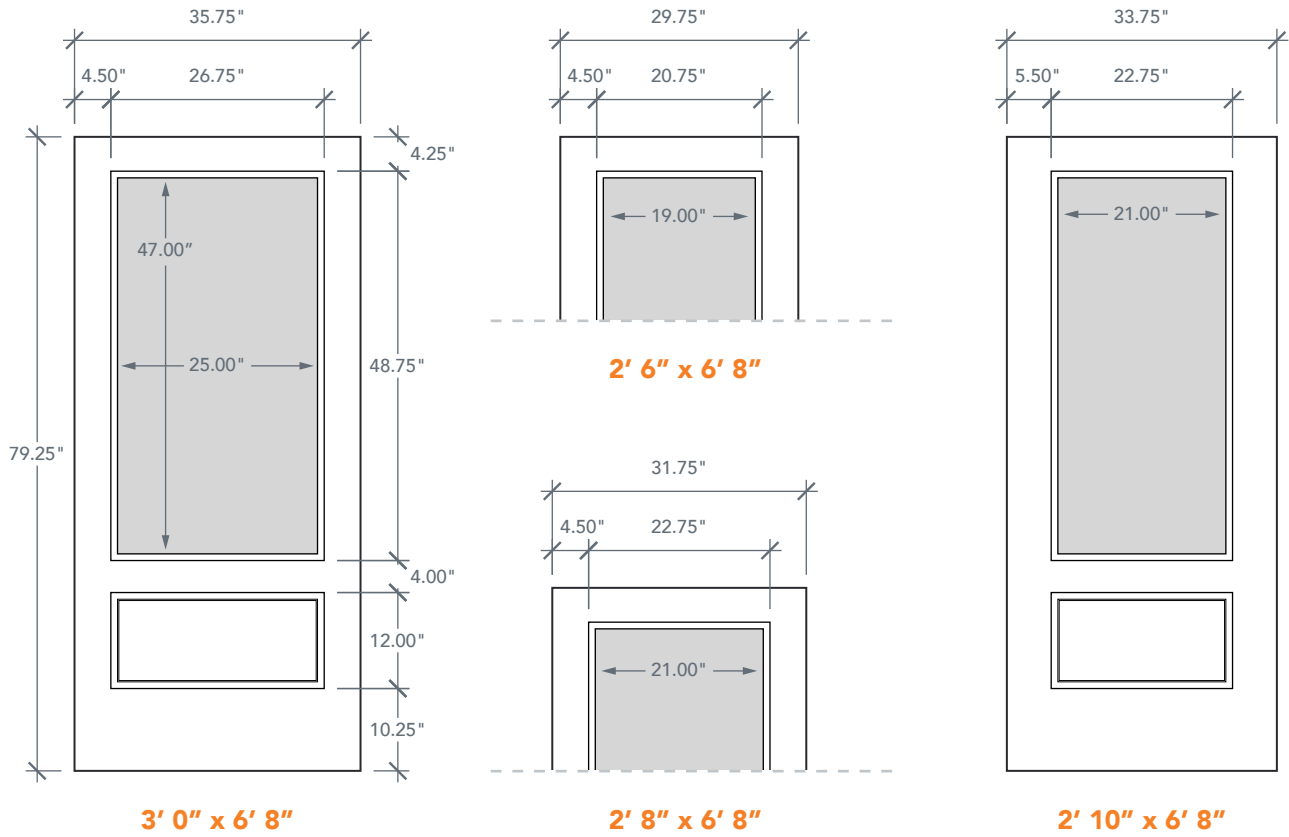
6'8" DRS1E NOVA 90 3/4 LITE

BRUSHED SMOOTH

DIRECT GLAZED

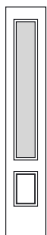
AVAILABLE SIZING

ARTWORK SCALE: 1/2"=1'



NOTE: BY REQUEST, DOOR HEIGHT COMES IN VARYING DIMENSIONS TO A MINIMUM OF 79". EXCESS WILL BE TAKEN FROM BOTTOM RAIL. ALL OTHER DIMENSIONS WILL REMAIN THE SAME.

MATCHING SIDELITES



SLS1E

Available Widths:

- 1' 0"
- 1' 2"

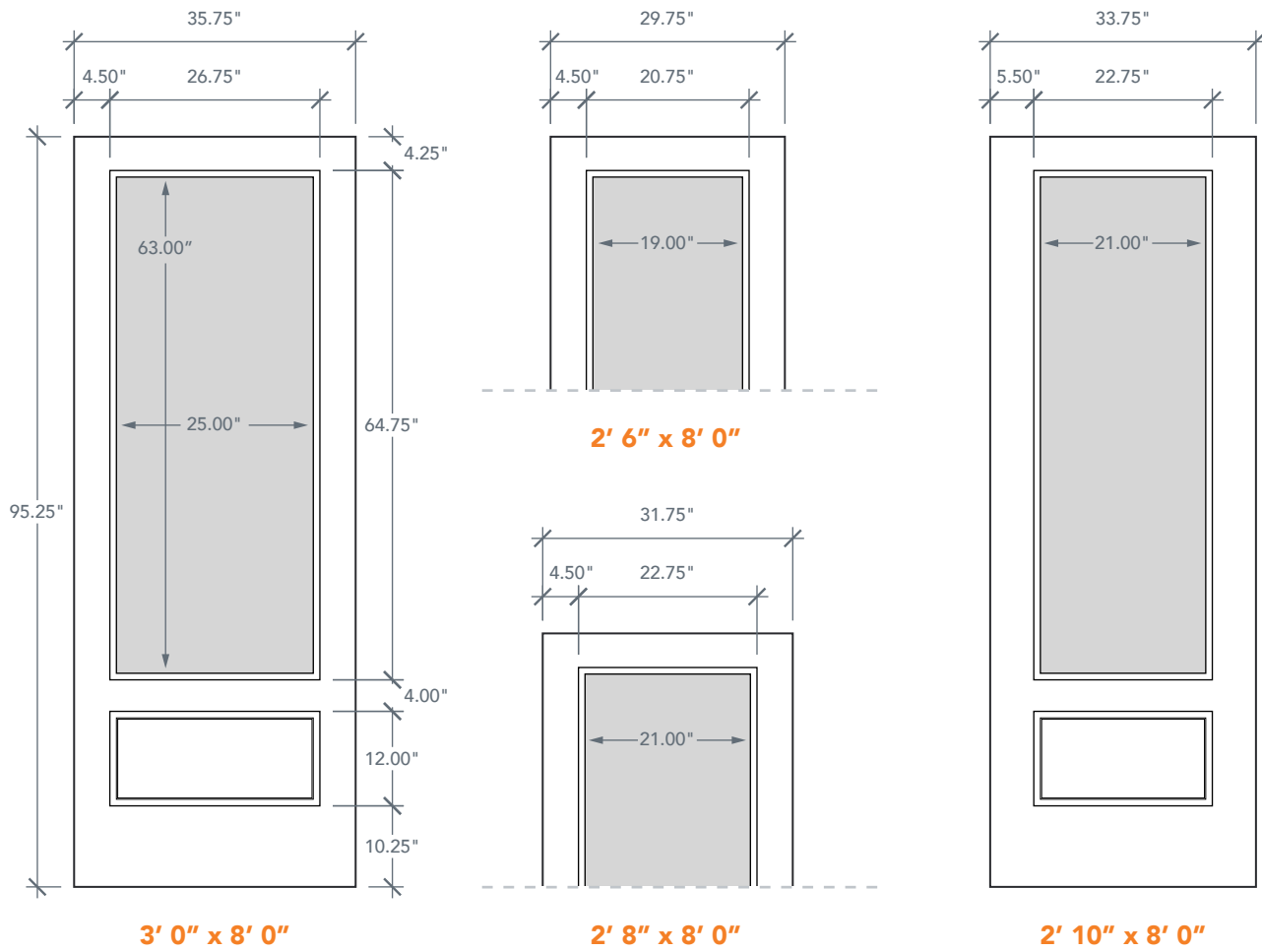
8'0" DRS1E80 NOVA 90 3/4 LITE

BRUSHED SMOOTH

DIRECT GLAZED

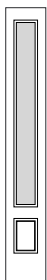
AVAILABLE SIZING

ARTWORK SCALE: 1/2"=1'



NOTE: BY REQUEST, DOOR HEIGHT COMES IN VARYING DIMENSIONS TO A MINIMUM OF 95". EXCESS WILL BE TAKEN FROM BOTTOM RAIL. ALL OTHER DIMENSIONS WILL REMAIN THE SAME.

MATCHING SIDELITES



SLS1E80

Available Widths:

1' 0"

1' 2"

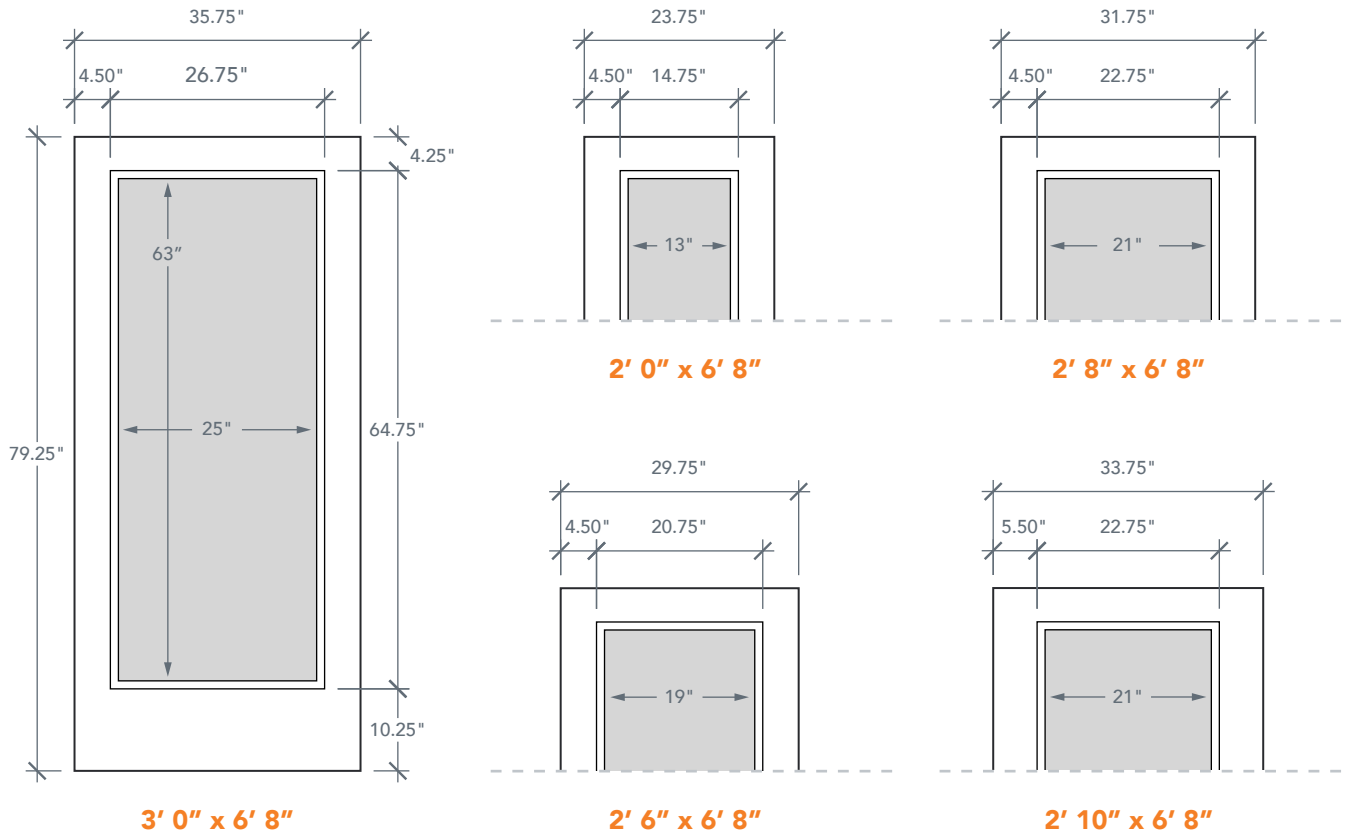
6'8" DRS1S NOVA 90 FULL LITE

BRUSHED SMOOTH

DIRECT GLAZED

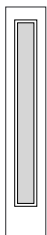
AVAILABLE SIZING

ARTWORK SCALE: 1/2"=1'



NOTE: BY REQUEST, DOOR HEIGHT COMES IN VARYING DIMENSIONS TO A MINIMUM OF 79". EXCESS WILL BE TAKEN FROM BOTTOM RAIL. ALL OTHER DIMENSIONS WILL REMAIN THE SAME.

MATCHING SIDELITES



SLS1S

Available Widths:

- 1' 0"
- 1' 2"

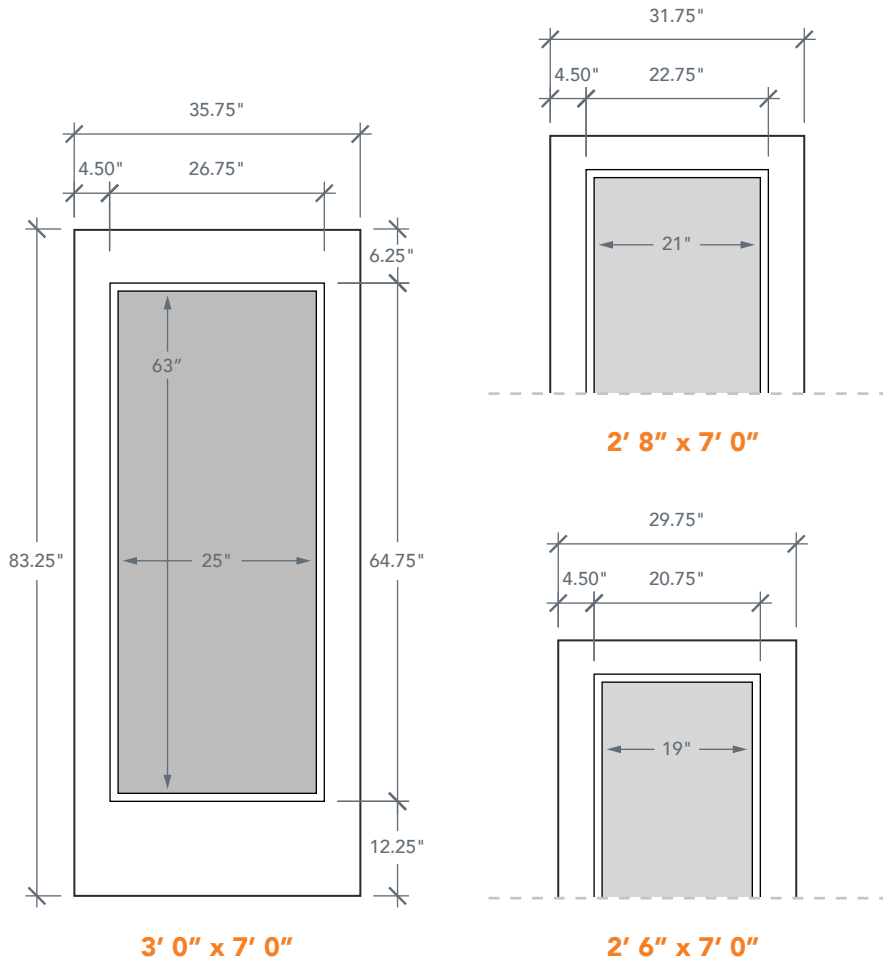
7'0" DRS1S70 NOVA 90 FULL LITE

BRUSHED SMOOTH

DIRECT GLAZED

AVAILABLE SIZING

ARTWORK SCALE: 1/2"=1'

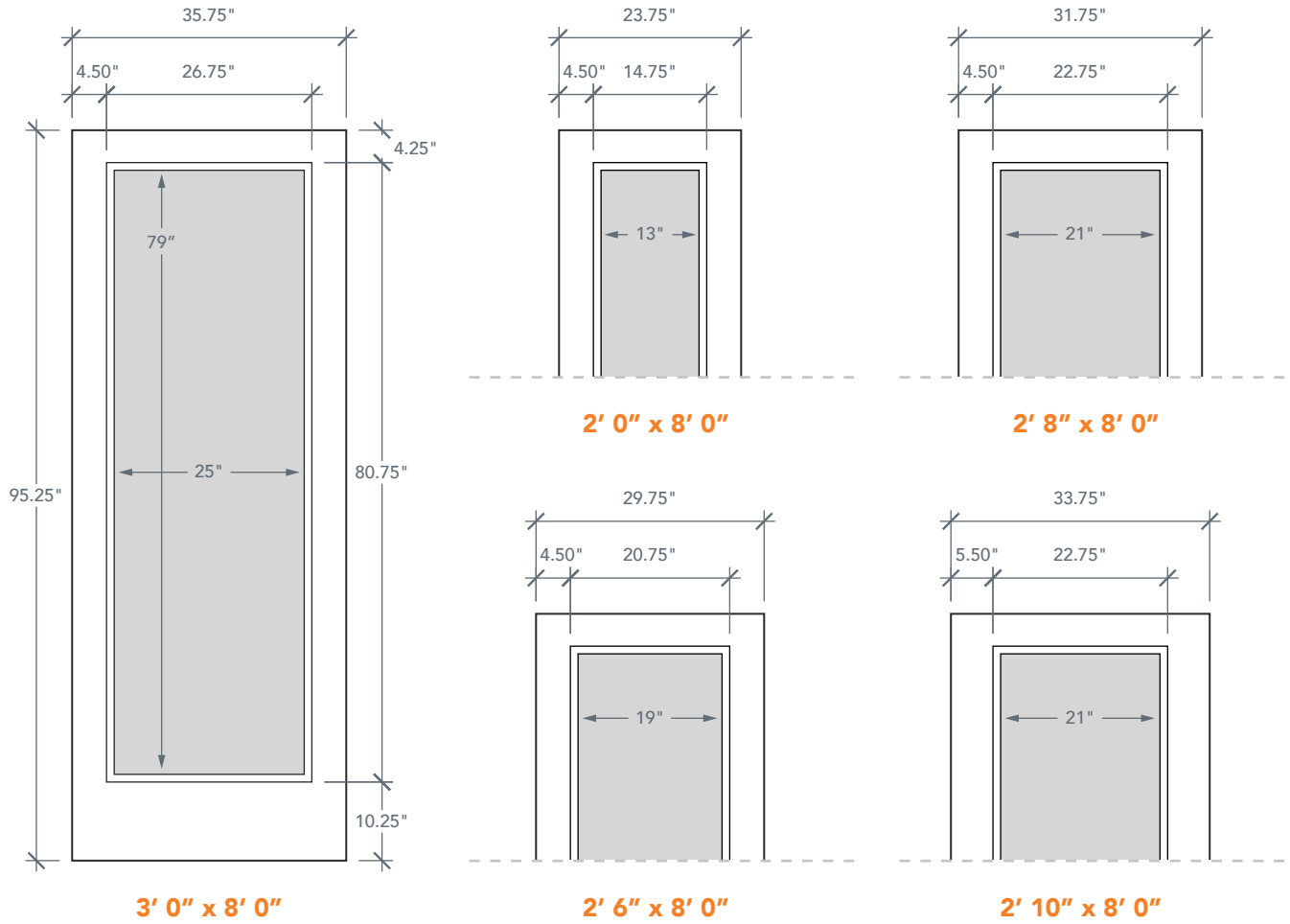


NOTE: BY REQUEST, DOOR HEIGHT COMES IN VARYING DIMENSIONS TO A MINIMUM OF 83". EXCESS WILL BE TAKEN FROM BOTTOM RAIL. ALL OTHER DIMENSIONS WILL REMAIN THE SAME.

8'0" DRS1S80 NOVA 90 FULL LITE

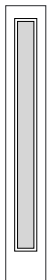
BRUSHED SMOOTH

DIRECT GLAZED



NOTE: BY REQUEST, DOOR HEIGHT COMES IN VARYING DIMENSIONS TO A MINIMUM OF 95". EXCESS WILL BE TAKEN FROM BOTTOM RAIL. ALL OTHER DIMENSIONS WILL REMAIN THE SAME.

MATCHING SIDELITES



SLS1S80

Available Widths:

1' 0"

1' 2"

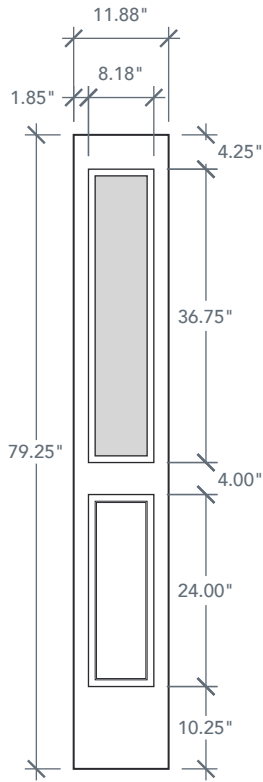
6'8" SLS1H NOVA 90 1/2 LITE SIDELITE

BRUSHED SMOOTH

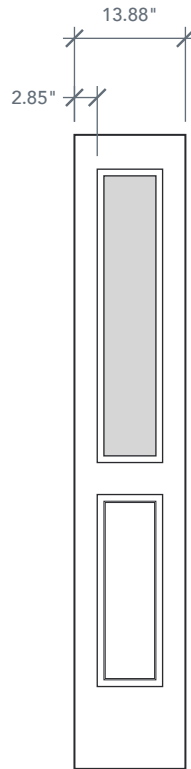
DIRECT GLAZED

AVAILABLE SIZING

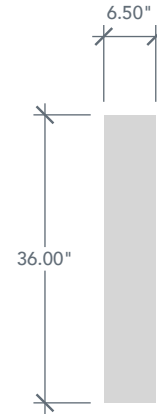
ARTWORK SCALE: 1/2"=1'



1' 0" x 6' 8"



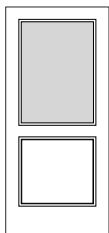
1' 2" x 6' 8"



Daylight Opening

NOTE: BY REQUEST, SIDELITE HEIGHT COMES IN VARYING DIMENSIONS TO A MINIMUM OF 79". EXCESS WILL BE TAKEN FROM BOTTOM RAIL. ALL OTHER DIMENSIONS WILL REMAIN THE SAME.

MATCHING DOORS



DRS1H

Available Widths:

- 2' 6"
- 2' 8"
- 2' 10"
- 3' 0"

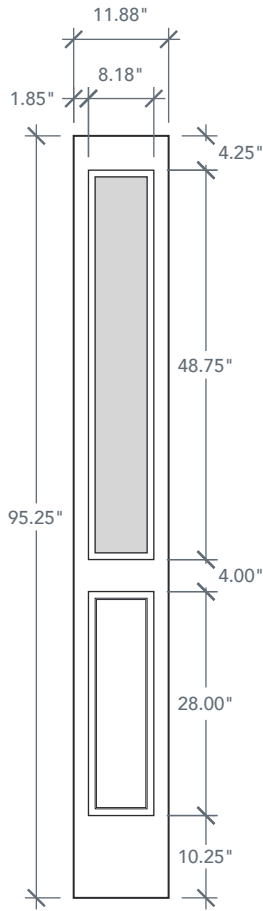
8'0" SLS1H80 NOVA 90 1/2 LITE SIDELITE

BRUSHED SMOOTH

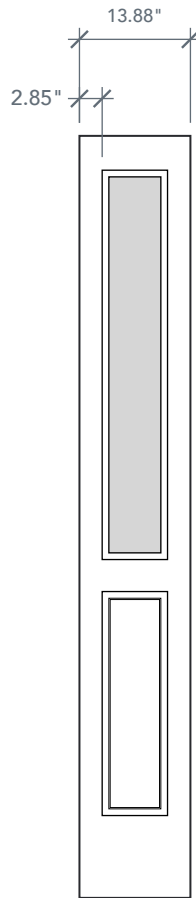
DIRECT GLAZED

AVAILABLE SIZING

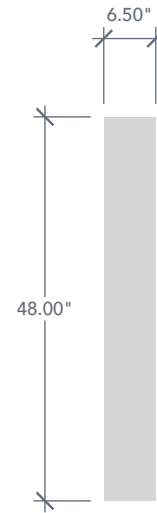
ARTWORK SCALE: 1/2"=1'



1' 0" x 8' 0"



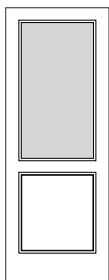
1' 2" x 8' 0"



Daylight Opening

NOTE: BY REQUEST, SIDELITE HEIGHT COMES IN VARYING DIMENSIONS TO A MINIMUM OF 95". EXCESS WILL BE TAKEN FROM BOTTOM RAIL. ALL OTHER DIMENSIONS WILL REMAIN THE SAME.

MATCHING DOORS



DRS1H80

Available Widths:

- 2' 6"
- 2' 8"
- 2' 10"
- 3' 0"

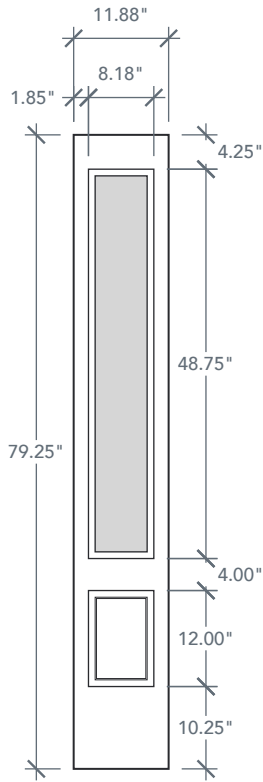
6'8" SLS1E NOVA 90 3/4 LITE SIDELITE

BRUSHED SMOOTH

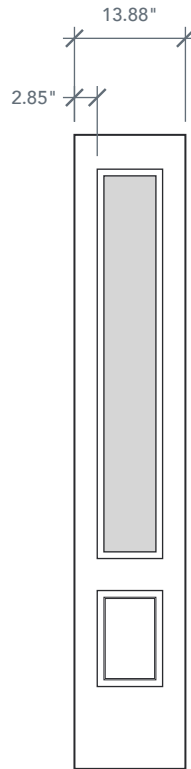
DIRECT GLAZED

AVAILABLE SIZING

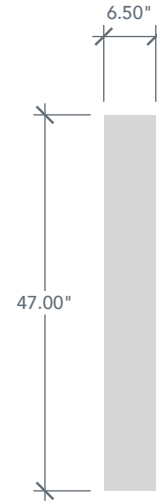
ARTWORK SCALE: 1/2"=1'



1' 0" x 6' 8"



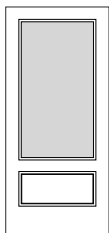
1' 2" x 6' 8"



Daylight Opening

NOTE: BY REQUEST, SIDELITE HEIGHT COMES IN VARYING DIMENSIONS TO A MINIMUM OF 79". EXCESS WILL BE TAKEN FROM BOTTOM RAIL. ALL OTHER DIMENSIONS WILL REMAIN THE SAME.

MATCHING DOORS



DRS1E

Available Widths:

- 2' 6"
- 2' 8"
- 2' 10"
- 3' 0"

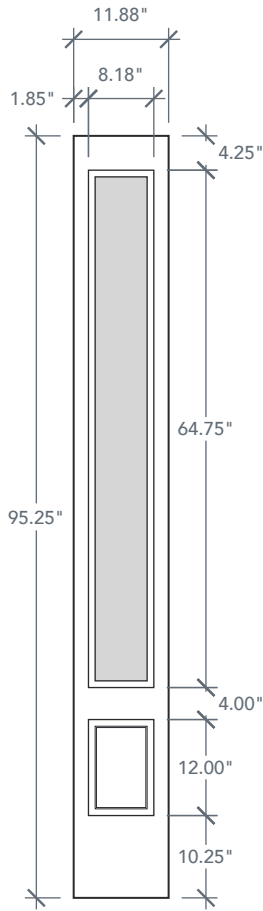
8'0" SLS1E80 NOVA 90 3/4 LITE SIDELITE

BRUSHED SMOOTH

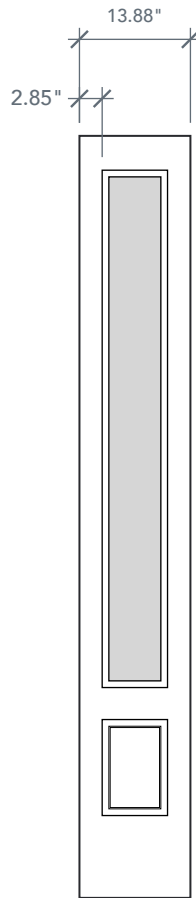
DIRECT GLAZED

AVAILABLE SIZING

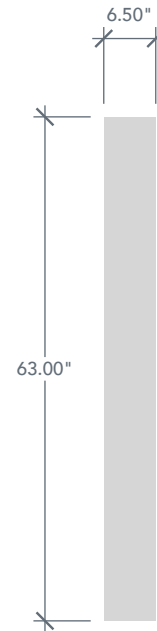
ARTWORK SCALE: 1/2"=1'



1' 0" x 8' 0"



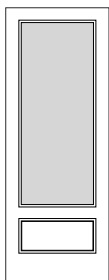
1' 2" x 8' 0"



Daylight Opening

NOTE: BY REQUEST, SIDELITE HEIGHT COMES IN VARYING DIMENSIONS TO A MINIMUM OF 95". EXCESS WILL BE TAKEN FROM BOTTOM RAIL. ALL OTHER DIMENSIONS WILL REMAIN THE SAME.

MATCHING DOORS



DRS1E80

Available Widths:

- 2' 6"
- 2' 8"
- 2' 10"
- 3' 0"

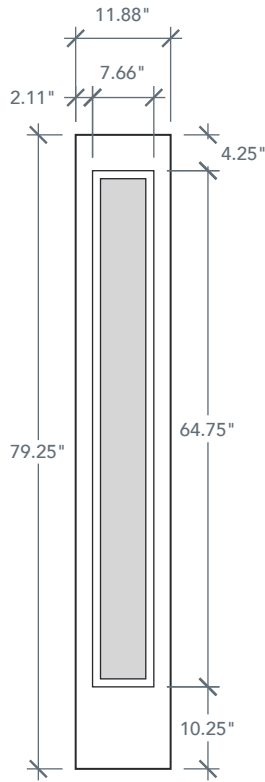
6'8" SLS1S NOVA 90 FULL LITE SIDELITE

BRUSHED SMOOTH

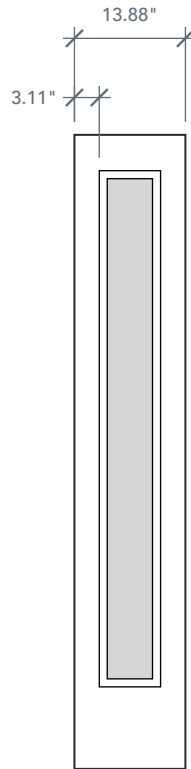
DIRECT GLAZED

AVAILABLE SIZING

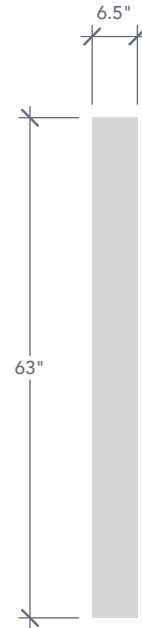
ARTWORK SCALE: 1/2"=1'



1' 0" x 6' 8"



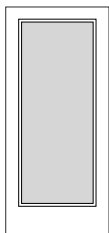
1' 2" x 6' 8"



Daylight Opening

NOTE: BY REQUEST, SIDELITE HEIGHT COMES IN VARYING DIMENSIONS TO A MINIMUM OF 79". EXCESS WILL BE TAKEN FROM BOTTOM RAIL. ALL OTHER DIMENSIONS WILL REMAIN THE SAME.

MATCHING DOORS



DRS1S

Available Widths:

- 2' 0"
- 2' 6"
- 2' 8"
- 2' 10"
- 3' 0"

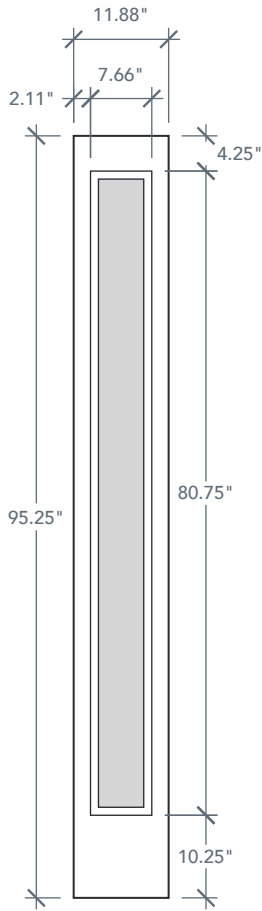
8'0" SLS1S80 NOVA 90 FULL LITE SIDELITE

BRUSHED SMOOTH

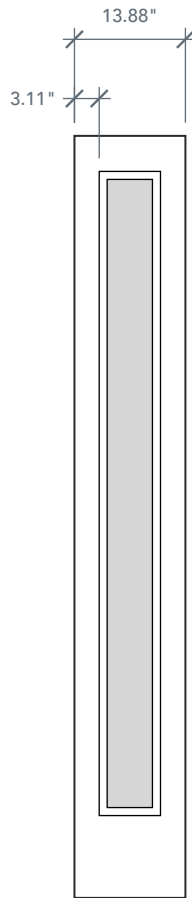
DIRECT GLAZED

AVAILABLE SIZING

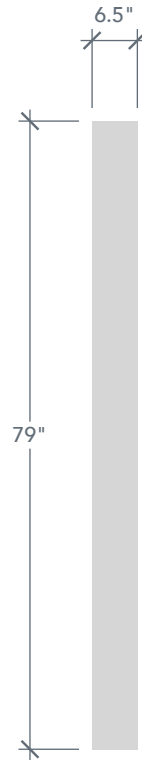
ARTWORK SCALE: 1/2"=1'



1' 0" x 8' 0"



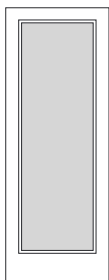
1' 2" x 8' 0"



Daylight Opening

NOTE: BY REQUEST, SIDELITE HEIGHT COMES IN VARYING DIMENSIONS TO A MINIMUM OF 95". EXCESS WILL BE TAKEN FROM BOTTOM RAIL. ALL OTHER DIMENSIONS WILL REMAIN THE SAME.

MATCHING DOORS



DRS1S80

Available Widths:

- 2' 0"
- 2' 6"
- 2' 8"
- 2' 10"
- 3' 0"

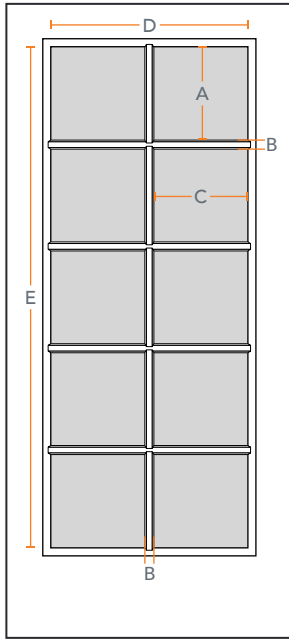
SDL BARS NOVA 45 - 10 LITE

SMOOTH & FIR

6'8" & 8'0"

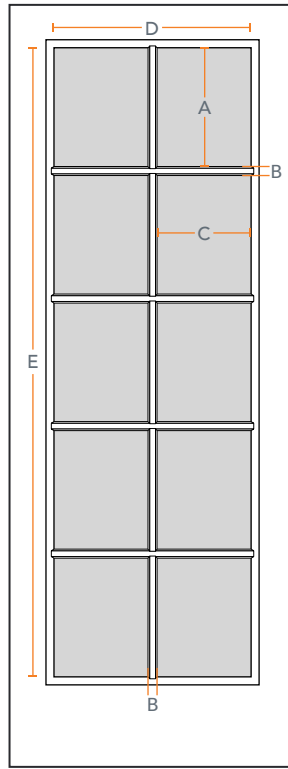
AVAILABLE SIZING

ARTWORK SCALE: 1/2"=1'



FIR - 10 LITE
ACSDF1D68-10L

SMOOTH - 10 LITE
ACSDW1D68-10L

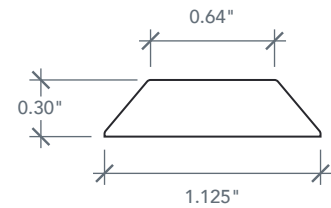


FIR - 10 LITE
ACSDF1D80-10L

SMOOTH - 10 LITE
ACSDW1D80-10L

SDL BAR SIDE PROFILE

ARTWORK SCALE: 1"=1"



DIMENSIONS

HEIGHT	ITEM	WIDTH	A	B	C	D	E	F
6'8"	ACSDF1D68D10L/ACSDW1D68D10L	2'0"	11.66"	1.13"	5.84"	13.30"	63.33"	N/A
	ACSDF1D68A10L/ACSDW1D68A10L	2'6"	11.66"	1.13"	8.84"	19.30"	63.33"	N/A
	ACSDF1D68B10L/ACSDW1D68B10L	2'8"	11.66"	1.13"	9.84"	21.30"	63.33"	N/A
	ACSDF1D68C10L/ACSDW1D68C10L	3'0"	11.66"	1.13"	11.84"	25.30"	63.33"	N/A

HEIGHT	ITEM	WIDTH	A	B	C	D	E	F
8'0"	ACSDF1D80D10L/ACSDW1D80D10L	2'0"	14.68"	1.13"	5.84"	13.30"	79.33"	N/A
	ACSDF1D80A10L/ACSDW1D80A10L	2'6"	14.68"	1.13"	8.84"	19.30"	79.33"	N/A
	ACSDF1D80B10L/ACSDW1D80B10L	2'8"	14.68"	1.13"	9.84"	21.30"	79.33"	N/A
	ACSDF1D80C10L/ACSDW1D80C10L	3'0"	14.68"	1.13"	11.84"	25.30"	79.33"	N/A

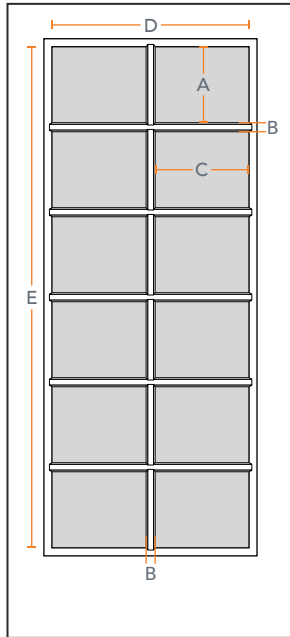
SDL BARS NOVA 45 - 12 LITE

SMOOTH & FIR

6'8" & 8'0"

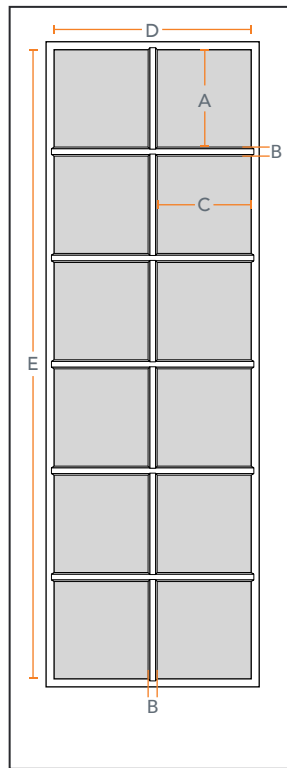
AVAILABLE SIZING

ARTWORK SCALE: 1/2"=1'



FIR - 12 LITE
ACSDF1D68-12L26

SMOOTH - 12 LITE
ACSDW1D68-12L26

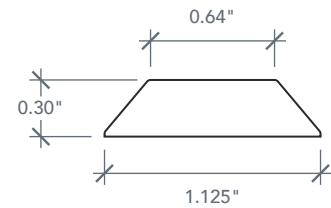


FIR - 12 LITE
ACSDF1D80-12L26

SMOOTH - 12 LITE
ACSDW1D80-12L26

SDL BAR SIDE PROFILE

ARTWORK SCALE: 1"=1"



DIMENSIONS

HEIGHT	ITEM	WIDTH	A	B	C	D	E	F
6'8"	ACSDF1D68D12L26/ACSDW1D68D12L26	2'0"	9.53"	1.13"	5.84"	13.30"	63.33"	N/A
	ACSDF1D68A12L26/ACSDW1D68A12L26	2'6"	9.53"	1.13"	8.84"	19.30"	63.33"	N/A
	ACSDF1D68B12L26/ACSDW1D68B12L26	2'8"	9.53"	1.13"	9.84"	21.30"	63.33"	N/A
	ACSDF1D68C12L26/ACSDW1D68C12L26	3'0"	9.53"	1.13"	11.84"	25.30"	63.33"	N/A

HEIGHT	ITEM	WIDTH	A	B	C	D	E	F
8'0"	ACSDF1D80D12L26/ACSDW1D80D12L26	2'0"	12.20"	1.13"	5.84"	13.30"	79.33"	N/A
	ACSDF1D80A12L26/ACSDW1D80A12L26	2'6"	12.20"	1.13"	8.84"	19.30"	79.33"	N/A
	ACSDF1D80B12L26/ACSDW1D80B12L26	2'8"	12.20"	1.13"	9.84"	21.30"	79.33"	N/A
	ACSDF1D80C12L26/ACSDW1D80C12L26	3'0"	12.20"	1.13"	11.84"	25.30"	79.33"	N/A

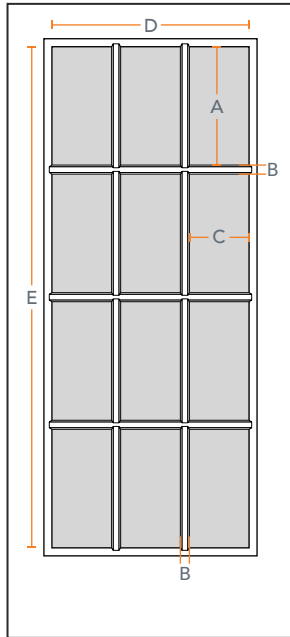
SDL BARS NOVA 45 - 12 LITE

SMOOTH & FIR

6'8" & 8'0"

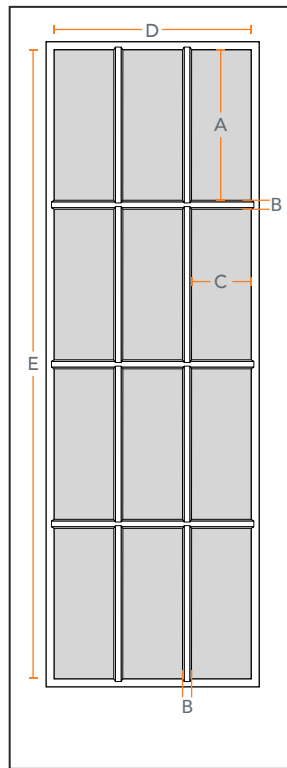
AVAILABLE SIZING

ARTWORK SCALE: 1/2"=1'



FIR - 12 LITE
ACSDF1D68-12L34

SMOOTH - 12 LITE
ACSDW1D68-12L34

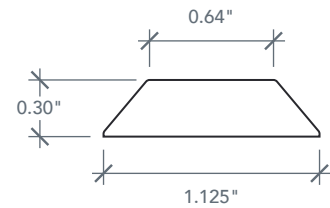


FIR - 12 LITE
ACSDF1D80-12L34

SMOOTH - 12 LITE
ACSDW1D80-12L34

SDL BAR SIDE PROFILE

ARTWORK SCALE: 1"=1"



DIMENSIONS

HEIGHT	ITEM	WIDTH	A	B	C	D	E	F
6'8"	ACSDF1D68D12L34/ACSDW1D68D12L34	2'0"	14.86"	1.13"	3.52"	13.30"	63.33"	N/A
	ACSDF1D68A12L34/ACSDW1D68A12L34	2'6"	14.86"	1.13"	5.52"	19.30"	63.33"	N/A
	ACSDF1D68B12L34/ACSDW1D68B12L34	2'8"	14.86"	1.13"	6.12"	21.30"	63.33"	N/A
	ACSDF1D68C12L34/ACSDW1D68C12L34	3'0"	14.86"	1.13"	7.52"	25.30"	63.33"	N/A

HEIGHT	ITEM	WIDTH	A	B	C	D	E	F
8'0"	ACSDF1D80D12L34/ACSDW1D80D12L34	2'0"	18.86"	1.13"	3.52"	13.30"	79.33"	N/A
	ACSDF1D80A12L34/ACSDW1D80A12L34	2'6"	18.86"	1.13"	5.52"	19.30"	79.33"	N/A
	ACSDF1D80B12L34/ACSDW1D80B12L34	2'8"	18.86"	1.13"	6.12"	21.30"	79.33"	N/A
	ACSDF1D80C12L34/ACSDW1D80C12L34	3'0"	18.86"	1.13"	7.52"	25.30"	79.33"	N/A

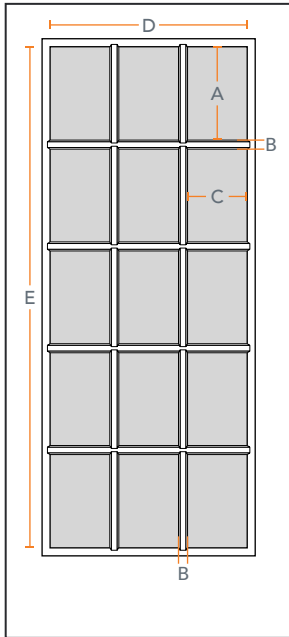
SDL BARS NOVA 45 - 15 LITE

SMOOTH & FIR

6'8" & 8'0"

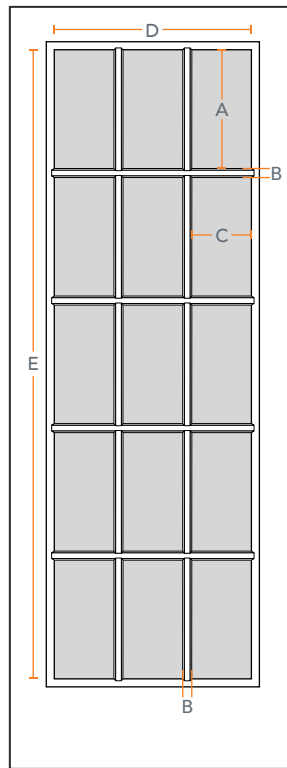
AVAILABLE SIZING

ARTWORK SCALE: 1/2"=1'



FIR - 15 LITE
ACSDF1D68-15L

SMOOTH - 15 LITE
ACSDW1D68-15L

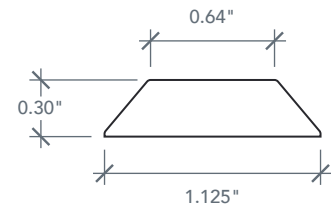


FIR - 15 LITE
ACSDF1D80-15L

SMOOTH - 15 LITE
ACSDW1D80-15L

SDL BAR SIDE PROFILE

ARTWORK SCALE: 1"=1"



DIMENSIONS

HEIGHT	ITEM	WIDTH	A	B	C	D	E	F
6'8"	ACSDF1D68D15L/ACSDW1D68D15L	2'0"	11.66"	1.13"	3.52"	13.30"	63.33"	N/A
	ACSDF1D68A15L/ACSDW1D68A15L	2'6"	11.66"	1.13"	5.52"	19.30"	63.33"	N/A
	ACSDF1D68B15L/ACSDW1D68B15L	2'8"	11.66"	1.13"	6.12"	21.30"	63.33"	N/A
	ACSDF1D68C15L/ACSDW1D68C15L	3'0"	11.66"	1.13"	7.52"	25.30"	63.33"	N/A

HEIGHT	ITEM	WIDTH	A	B	C	D	E	F
8'0"	ACSDF1D80D15L/ACSDW1D80D15L	2'0"	14.86"	1.13"	3.52"	13.30"	79.33"	N/A
	ACSDF1D80A15L/ACSDW1D80A15L	2'6"	14.86"	1.13"	5.52"	19.30"	79.33"	N/A
	ACSDF1D80B15L/ACSDW1D80B15L	2'8"	14.86"	1.13"	6.12"	21.30"	79.33"	N/A
	ACSDF1D80C15L/ACSDW1D80C15L	3'0"	14.86"	1.13"	7.52"	25.30"	79.33"	N/A

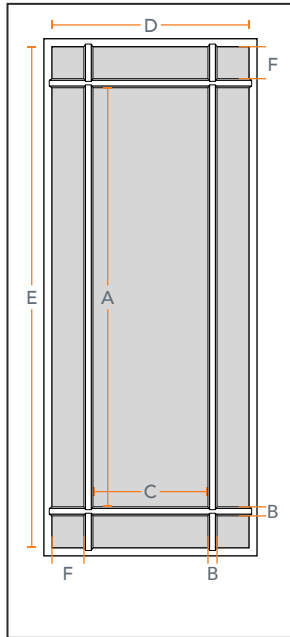
SDL BARS NOVA 45 - 9 LITE

SMOOTH & FIR

6'8" & 8'0"

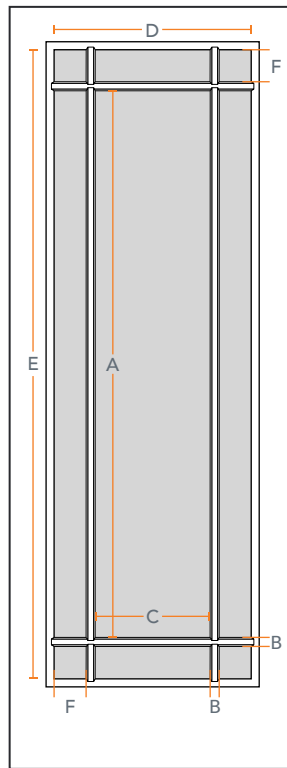
AVAILABLE SIZING

ARTWORK SCALE: 1/2"=1'



FIR - 9 LITE
ACSDF1D68-9LQ

SMOOTH - 9 LITE
ACSDW1D68-9LQ

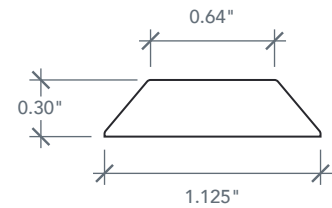


FIR - 9 LITE
ACSDF1D80-9LQ

SMOOTH - 9 LITE
ACSDW1D80-9LQ

SDL BAR SIDE PROFILE

ARTWORK SCALE: 1"=1"



DIMENSIONS

HEIGHT	ITEM	WIDTH	A	B	C	D	E	F
6'8"	ACSDF1D68D9LQ/ACSDW1D68D9LQ	2'0"	52.56"	1.13"	2.56"	13.30"	63.33"	4"
	ACSDF1D68A9LQ/ACSDW1D68A9LQ	2'6"	52.56"	1.13"	8.56"	19.30"	63.33"	4"
	ACSDF1D68B9LQ/ACSDW1D68B9LQ	2'8"	52.56"	1.13"	10.56"	21.30"	63.33"	4"
	ACSDF1D68C9LQ/ACSDW1D68C9LQ	3'0"	52.56"	1.13"	14.56"	25.30"	63.33"	4"

HEIGHT	ITEM	WIDTH	A	B	C	D	E	F
8'0"	ACSDF1D80D9LQ/ACSDW1D80D9LQ	2'0"	68.56"	1.13"	2.56"	13.30"	79.33"	4"
	ACSDF1D80A9LQ/ACSDW1D80A9LQ	2'6"	68.56"	1.13"	8.56"	19.30"	79.33"	4"
	ACSDF1D80B9LQ/ACSDW1D80B9LQ	2'8"	68.56"	1.13"	10.56"	21.30"	79.33"	4"
	ACSDF1D80C9LQ/ACSDW1D80C9LQ	3'0"	68.56"	1.13"	14.56"	25.30"	79.33"	4"



ONYX SERIES

Plastpro's ONYX Series is an absolute stunner that will turn your entryway into the neighborhood's main attraction. Enhanced pigmented fiberglass gives you enduring and impactful color without the frequent need for maintenance or painting – the color is literally built into your door. A bold, powerful and sophisticated black, ONYX is the elegant choice for contemporary style. Get the modern aesthetic of your dreams with the contemporary look of a black door with ONYX Infinite Finish in one of Plastpro's Nova 90 models.

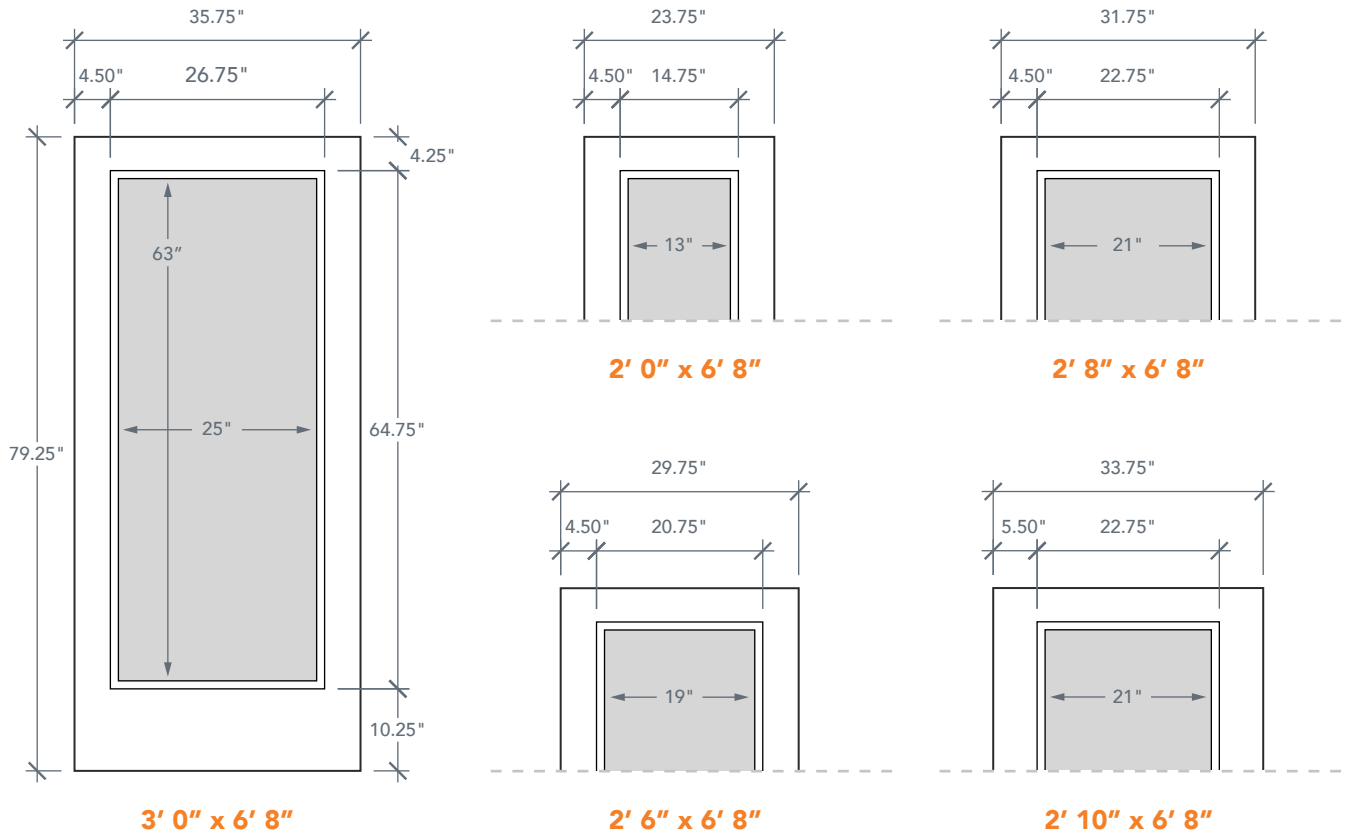
PG 34 - 47

6'8" DRB1S ONYX 90 FULL LITE

DIRECT GLAZED

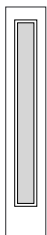
AVAILABLE SIZING

ARTWORK SCALE: 1/2"=1'



NOTE: BY REQUEST, DOOR HEIGHT COMES IN VARYING DIMENSIONS TO A MINIMUM OF 79". EXCESS WILL BE TAKEN FROM BOTTOM RAIL. ALL OTHER DIMENSIONS WILL REMAIN THE SAME.

MATCHING SIDELITES



SLB1S

Available Widths:

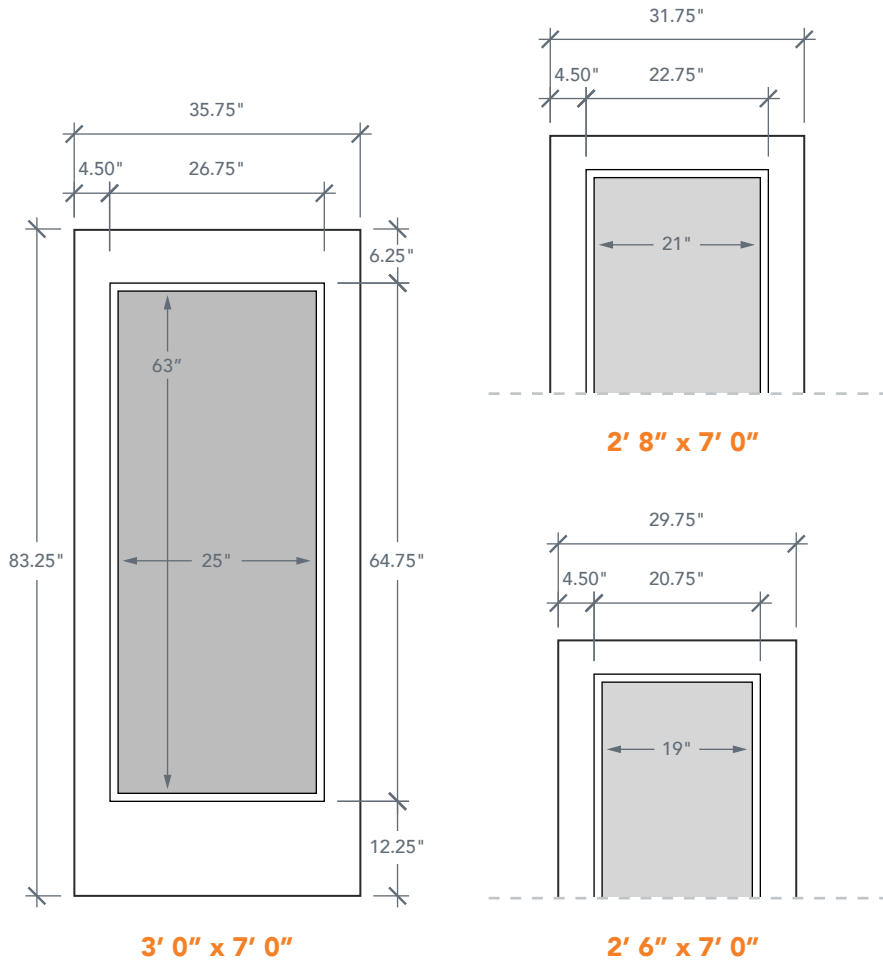
- 1' 0"
- 1' 2"

7'0" DRB1S70 ONYX 90 FULL LITE

DIRECT GLAZED

AVAILABLE SIZING

ARTWORK SCALE: 1/2"=1'



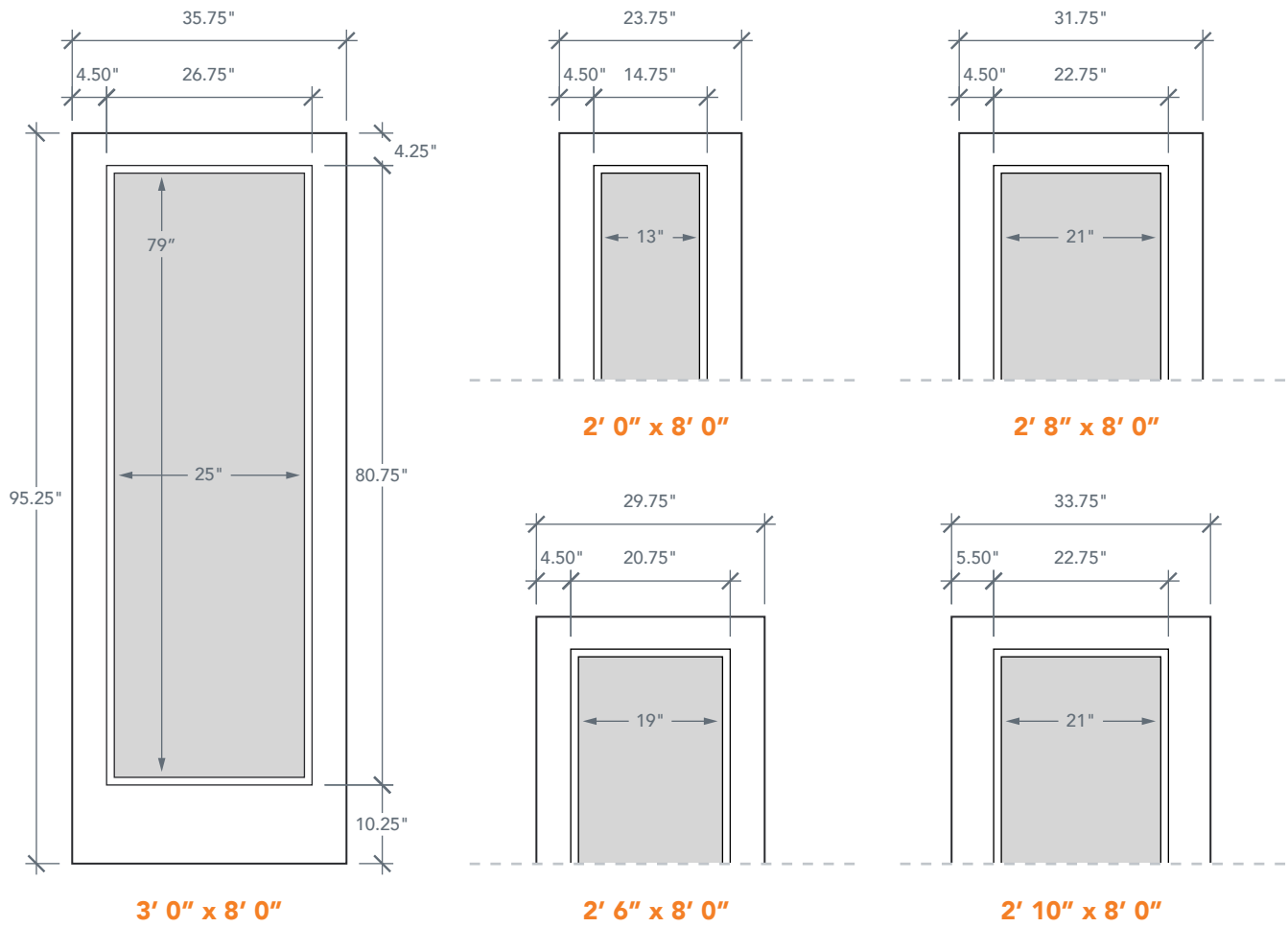
NOTE: BY REQUEST, DOOR HEIGHT COMES IN VARYING DIMENSIONS TO A MINIMUM OF 83". EXCESS WILL BE TAKEN FROM BOTTOM RAIL. ALL OTHER DIMENSIONS WILL REMAIN THE SAME.

8'0" DRB1S80 ONYX 90 FULL LITE

DIRECT GLAZED

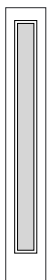
AVAILABLE SIZING

ARTWORK SCALE: 1/2"=1'



NOTE: BY REQUEST, DOOR HEIGHT COMES IN VARYING DIMENSIONS TO A MINIMUM OF 95". EXCESS WILL BE TAKEN FROM BOTTOM RAIL. ALL OTHER DIMENSIONS WILL REMAIN THE SAME.

MATCHING SIDELITES



SLB1S80

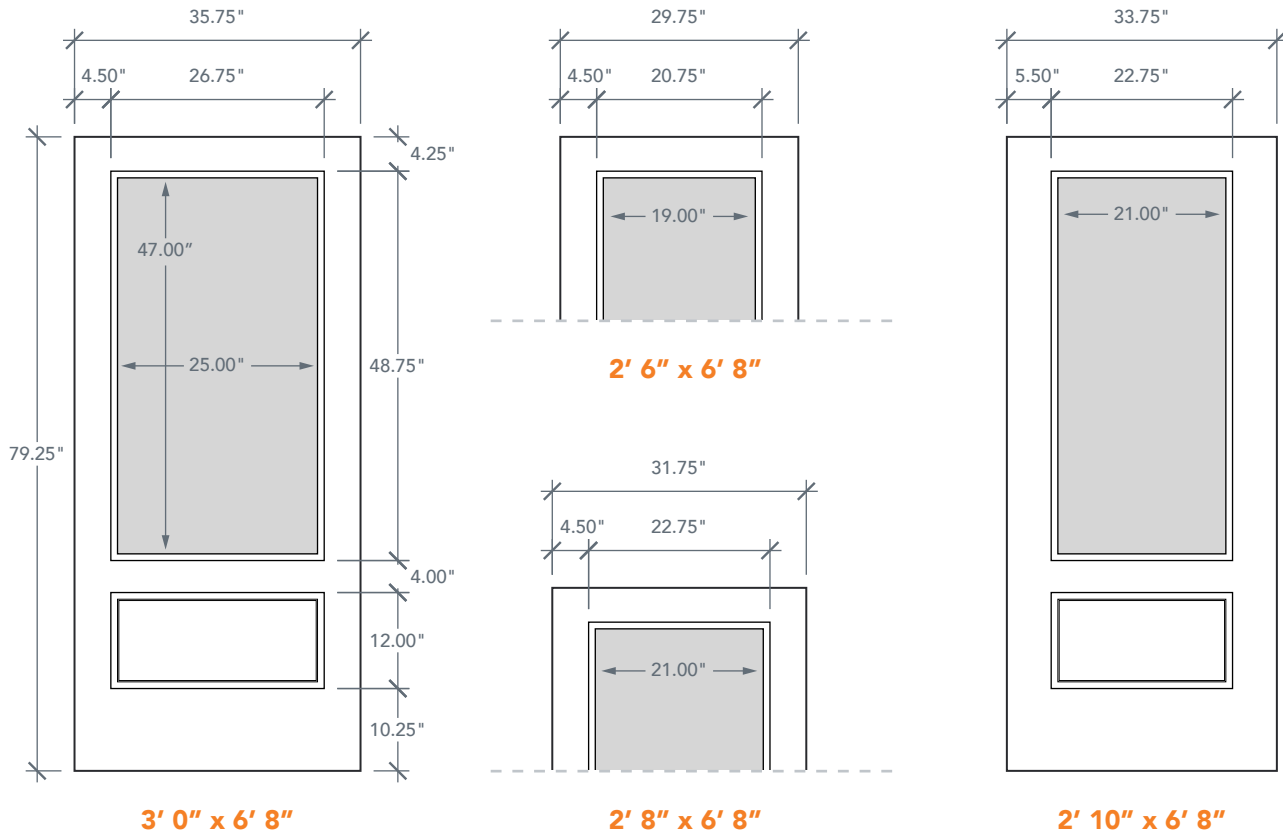
Available Widths:

1' 0"

1' 2"

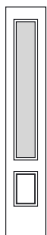
AVAILABLE SIZING

ARTWORK SCALE: 1/2"=1'



NOTE: BY REQUEST, DOOR HEIGHT COMES IN VARYING DIMENSIONS TO A MINIMUM OF 79". EXCESS WILL BE TAKEN FROM BOTTOM RAIL. ALL OTHER DIMENSIONS WILL REMAIN THE SAME.

MATCHING SIDELITES



SLB1E

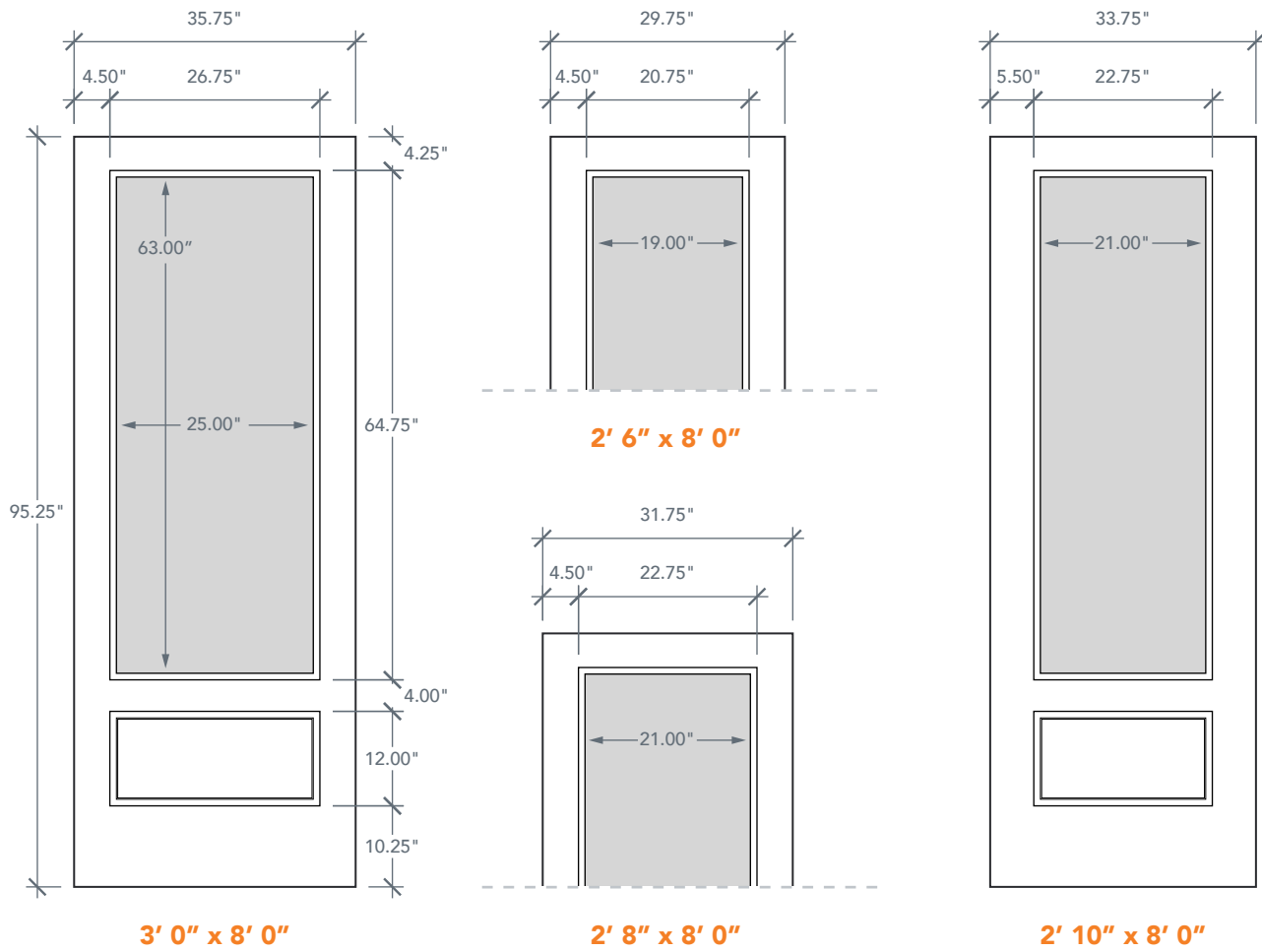
Available Widths:

1' 0"

1' 2"

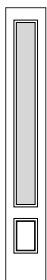
AVAILABLE SIZING

ARTWORK SCALE: 1/2"=1'



NOTE: BY REQUEST, DOOR HEIGHT COMES IN VARYING DIMENSIONS TO A MINIMUM OF 95". EXCESS WILL BE TAKEN FROM BOTTOM RAIL. ALL OTHER DIMENSIONS WILL REMAIN THE SAME.

MATCHING SIDELITES



SLB1E80

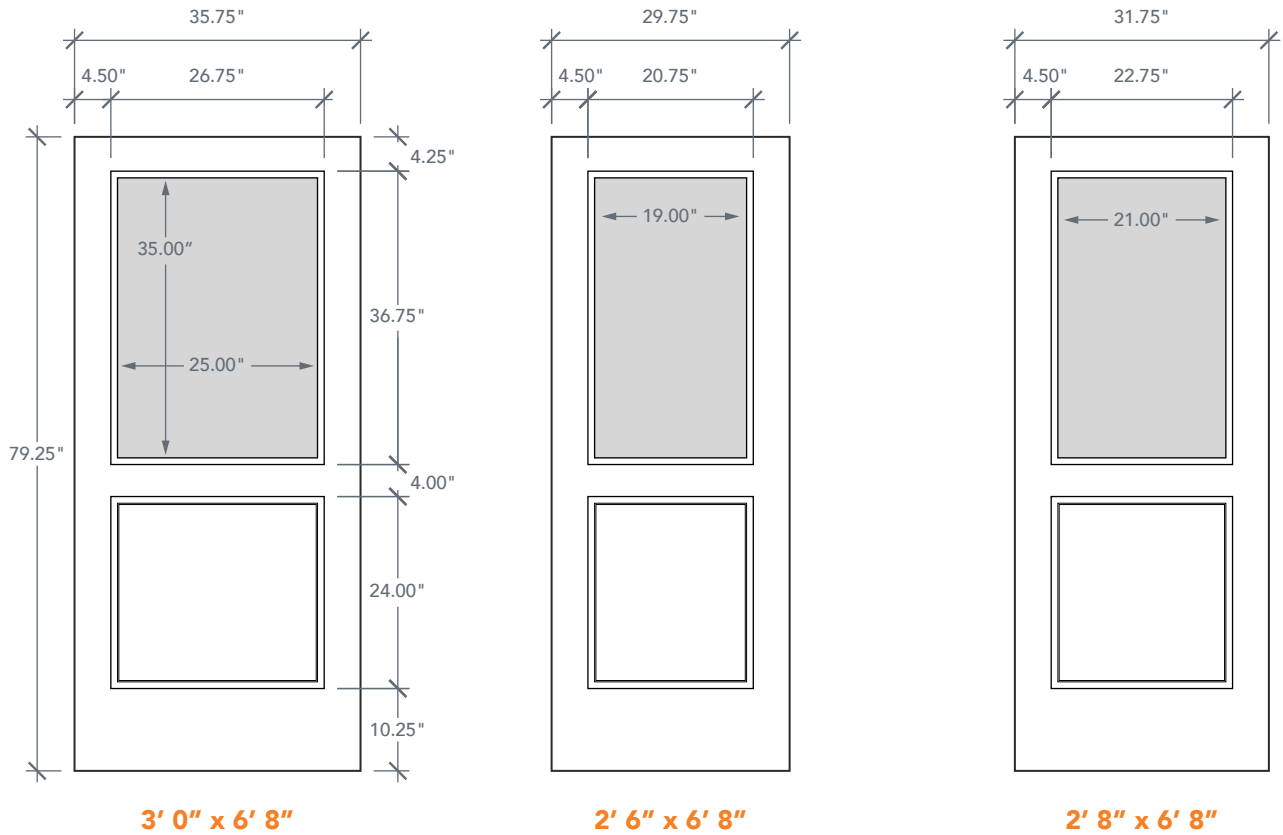
Available Widths:

1' 0"

1' 2"

AVAILABLE SIZING

ARTWORK SCALE: 1/2"=1'



NOTE: BY REQUEST, DOOR HEIGHT COMES IN VARYING DIMENSIONS TO A MINIMUM OF 79". EXCESS WILL BE TAKEN FROM BOTTOM RAIL. ALL OTHER DIMENSIONS WILL REMAIN THE SAME.

MATCHING SIDELITES



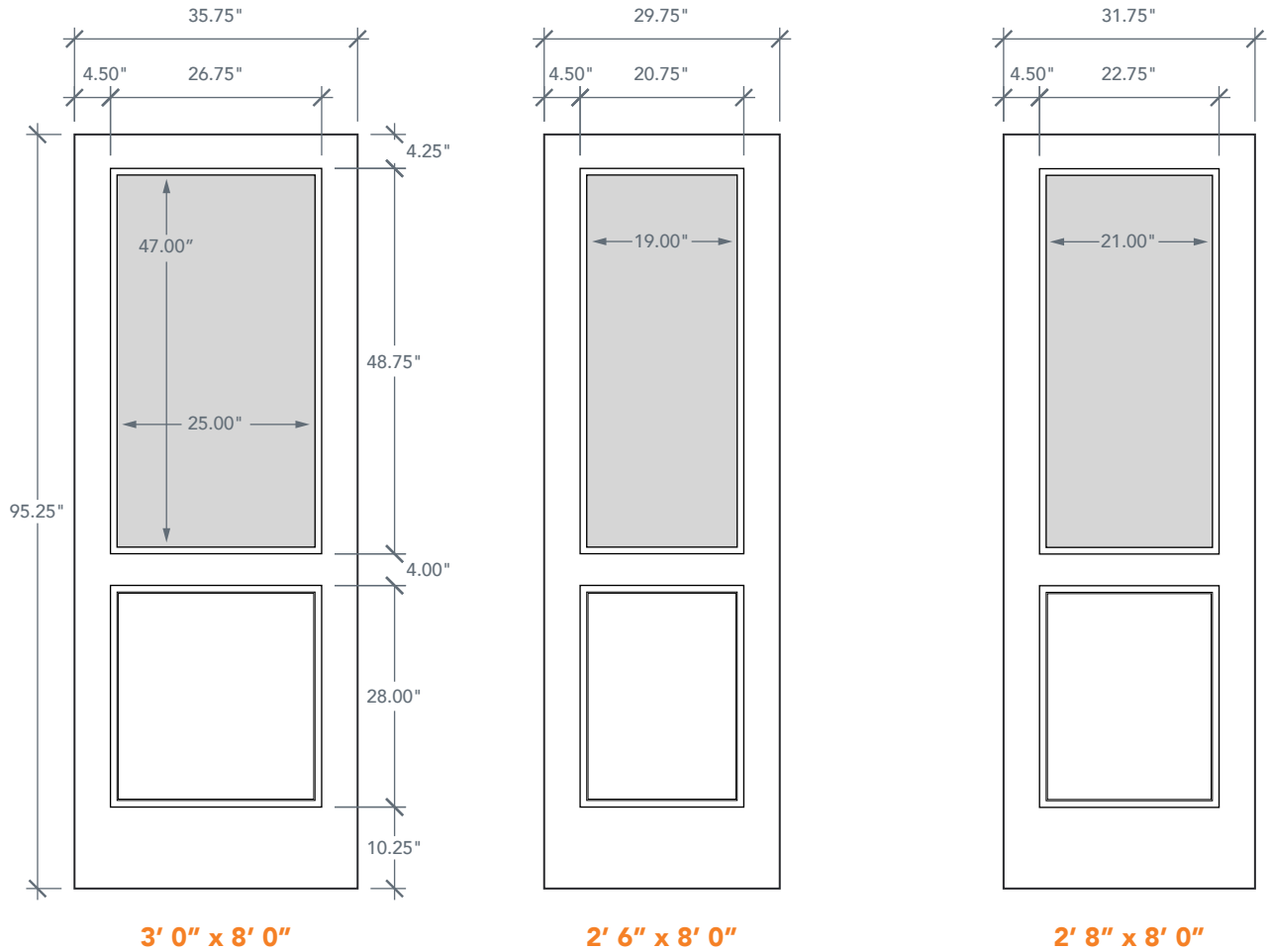
SLB1H

Available Widths:

- 1' 0"
- 1' 2"

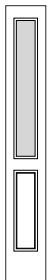
AVAILABLE SIZING

ARTWORK SCALE: 1/2"=1'



NOTE: BY REQUEST, DOOR HEIGHT COMES IN VARYING DIMENSIONS TO A MINIMUM OF 95". EXCESS WILL BE TAKEN FROM BOTTOM RAIL. ALL OTHER DIMENSIONS WILL REMAIN THE SAME.

MATCHING SIDELITES



SLB1H80

Available Widths:

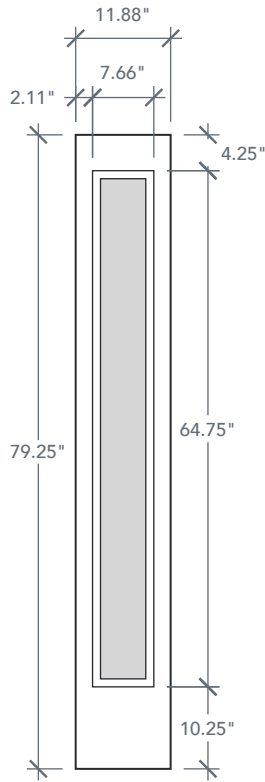
1' 0"

1' 2"

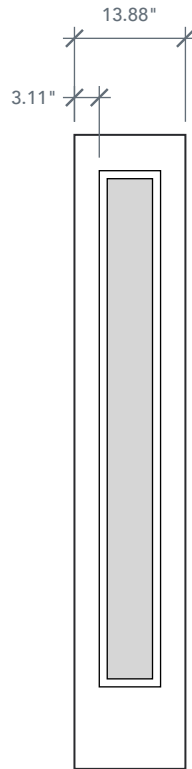
6'8" SLB1S ONYX 90 FULL LITE SIDELITE DIRECT GLAZED

AVAILABLE SIZING

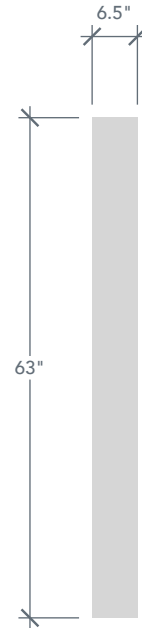
ARTWORK SCALE: 1/2"=1'



1' 0" x 6' 8"



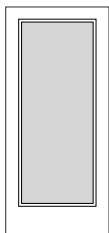
1' 2" x 6' 8"



Daylight Opening

NOTE: BY REQUEST, SIDELITE HEIGHT COMES IN VARYING DIMENSIONS TO A MINIMUM OF 79". EXCESS WILL BE TAKEN FROM BOTTOM RAIL. ALL OTHER DIMENSIONS WILL REMAIN THE SAME.

MATCHING DOORS



DRB1S

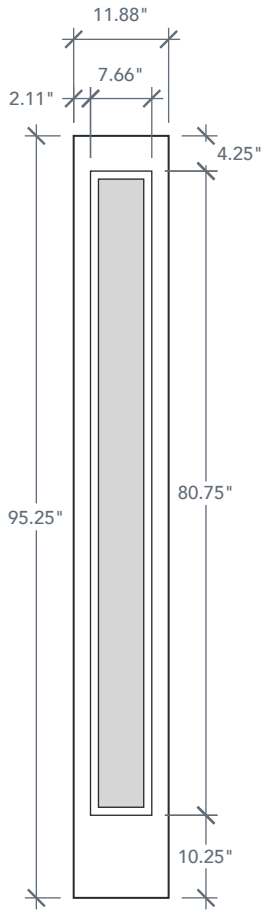
Available Widths:

- 2' 0"
- 2' 6"
- 2' 8"
- 2' 10"
- 3' 0"

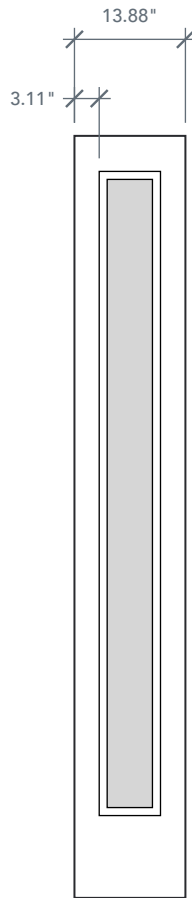
8'0" SLB1S80 ONYX 90 FULL LITE SIDELITE DIRECT GLAZED

AVAILABLE SIZING

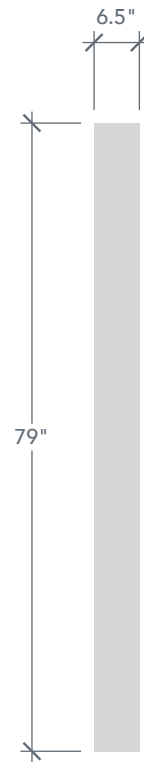
ARTWORK SCALE: 1/2"=1'



1' 0" x 8' 0"



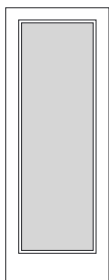
1' 2" x 8' 0"



Daylight Opening

NOTE: BY REQUEST, SIDELITE HEIGHT COMES IN VARYING DIMENSIONS TO A MINIMUM OF 95". EXCESS WILL BE TAKEN FROM BOTTOM RAIL. ALL OTHER DIMENSIONS WILL REMAIN THE SAME.

MATCHING DOORS



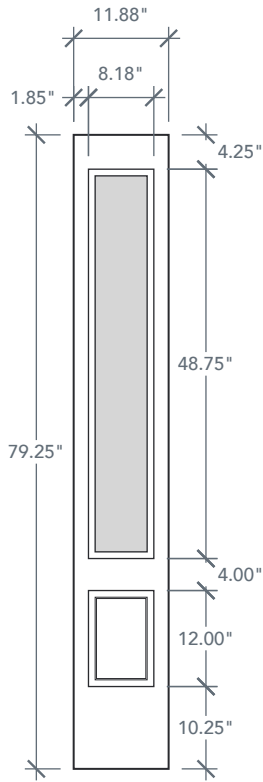
DRB1S80

Available Widths:

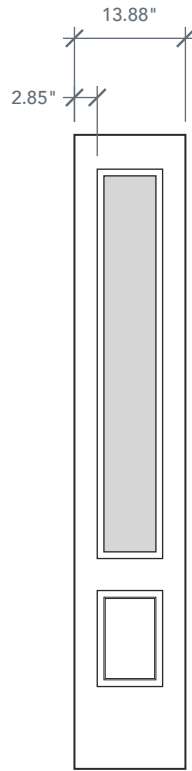
- 2' 0"
- 2' 6"
- 2' 8"
- 2' 10"
- 3' 0"

AVAILABLE SIZING

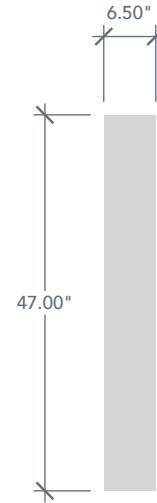
ARTWORK SCALE: 1/2"=1'



1' 0" x 6' 8"



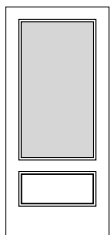
1' 2" x 6' 8"



Daylight Opening

NOTE: BY REQUEST, SIDELITE HEIGHT COMES IN VARYING DIMENSIONS TO A MINIMUM OF 79". EXCESS WILL BE TAKEN FROM BOTTOM RAIL. ALL OTHER DIMENSIONS WILL REMAIN THE SAME.

MATCHING DOORS



DRB1E

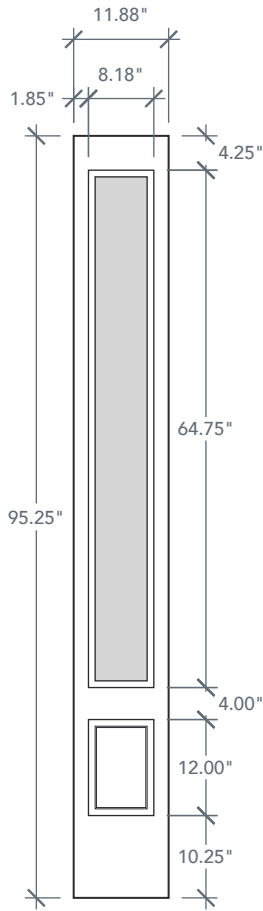
Available Widths:

- 2' 6"
- 2' 8"
- 2' 10"
- 3' 0"

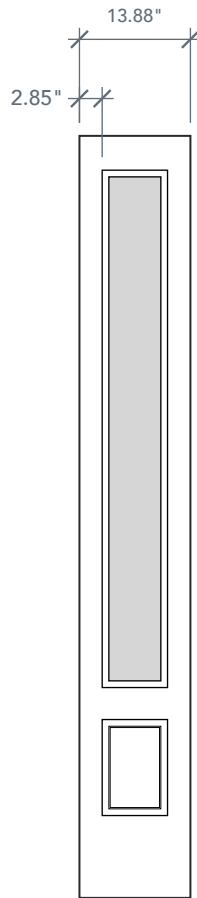
8'0" SLB1E80 ONYX 90 3/4 LITE SIDELITE DIRECT GLAZED

AVAILABLE SIZING

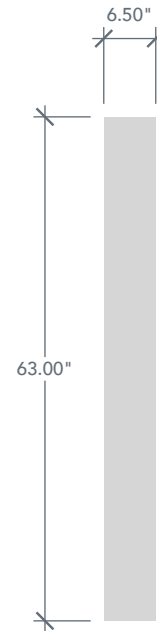
ARTWORK SCALE: 1/2"=1'



1' 0" x 8' 0"



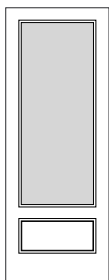
1' 2" x 8' 0"



Daylight Opening

NOTE: BY REQUEST, SIDELITE HEIGHT COMES IN VARYING DIMENSIONS TO A MINIMUM OF 95". EXCESS WILL BE TAKEN FROM BOTTOM RAIL. ALL OTHER DIMENSIONS WILL REMAIN THE SAME.

MATCHING DOORS



DRB1E80

Available Widths:

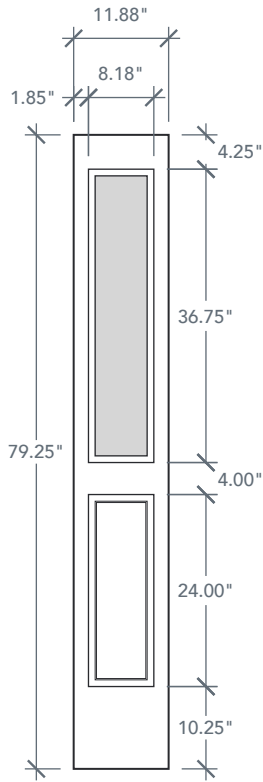
- 2' 6"
- 2' 8"
- 2' 10"
- 3' 0"

6'8" SLB1H ONYX 90 1/2 LITE SIDELITE

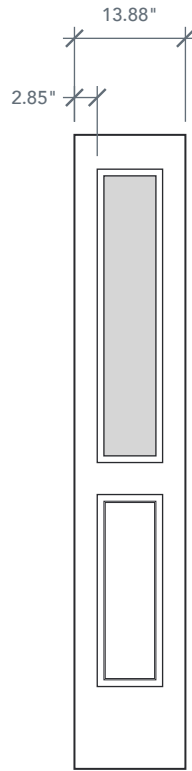
DIRECT GLAZED

AVAILABLE SIZING

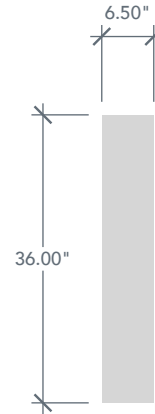
ARTWORK SCALE: 1/2"=1'



1' 0" x 6' 8"



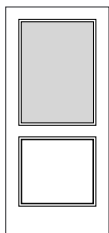
1' 2" x 6' 8"



Daylight Opening

NOTE: BY REQUEST, SIDELITE HEIGHT COMES IN VARYING DIMENSIONS TO A MINIMUM OF 79". EXCESS WILL BE TAKEN FROM BOTTOM RAIL. ALL OTHER DIMENSIONS WILL REMAIN THE SAME.

MATCHING DOORS



DRB1H

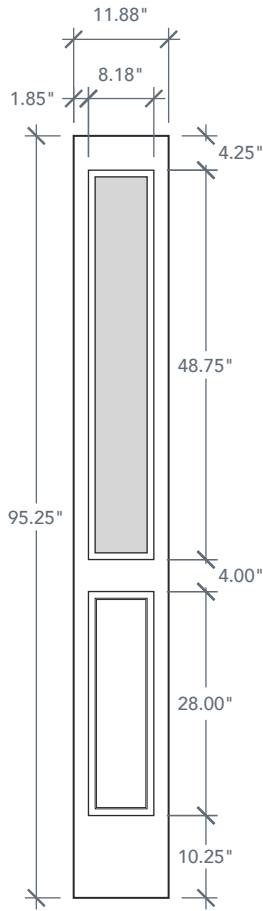
Available Widths:

- 2' 6"
- 2' 8"
- 2' 10"
- 3' 0"

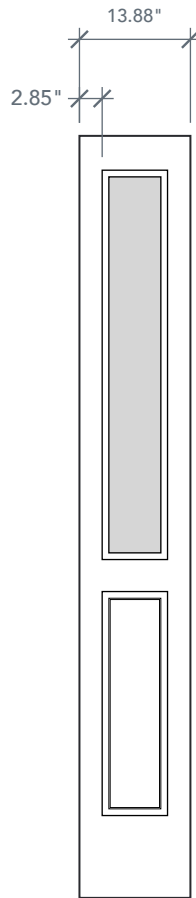
8'0" SLB1H80 ONYX 90 1/2 LITE SIDELITE DIRECT GLAZED

AVAILABLE SIZING

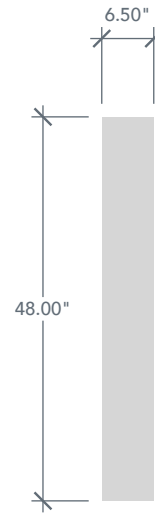
ARTWORK SCALE: 1/2"=1'



1' 0" x 8' 0"



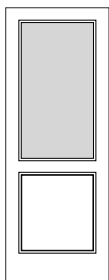
1' 2" x 8' 0"



Daylight Opening

NOTE: BY REQUEST, SIDELITE HEIGHT COMES IN VARYING DIMENSIONS TO A MINIMUM OF 95". EXCESS WILL BE TAKEN FROM BOTTOM RAIL. ALL OTHER DIMENSIONS WILL REMAIN THE SAME.

MATCHING DOORS



DRB1H80

Available Widths:

- 2' 6"
- 2' 8"
- 2' 10"
- 3' 0"

CRAFTSMAN SERIES

If you're an old soul who wishes to keep up with the latest trends, The Craftsman Series is certainly your best bet. This series applies the most notable elements from 19th and 20th century architecture by blessing your home with a historical essence while still maintaining its modern appeal. Our traditional styles and flat panels successfully complement our selection of Ovolo profiles, Shaker profiles, and sleek direct glazed options. Don't miss out on the wonderfully crafted Fir and Smooth graining options available in this line as well. Still searching for more? Check out our limited edition Dentil Shelf and Simulated Divided Lights "SDL" Kits that serve as the perfect accessories to perfect an entryway that symbolizes you.

PG 48 - 77

6'8" DRS1K/DRF1K ONE PANEL DOOR

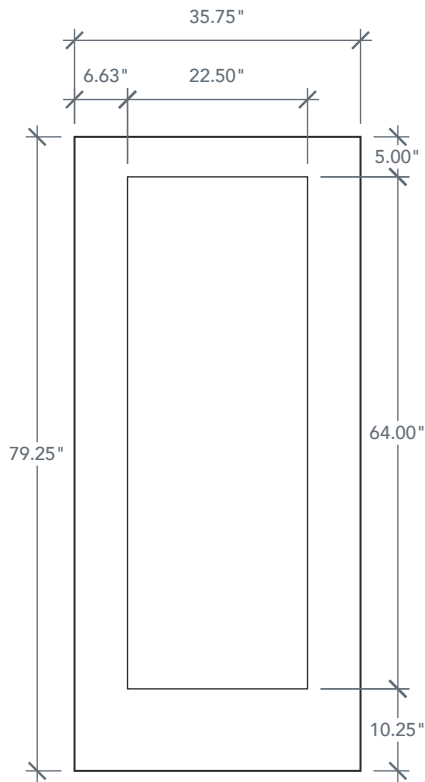
SMOOTH

FIR

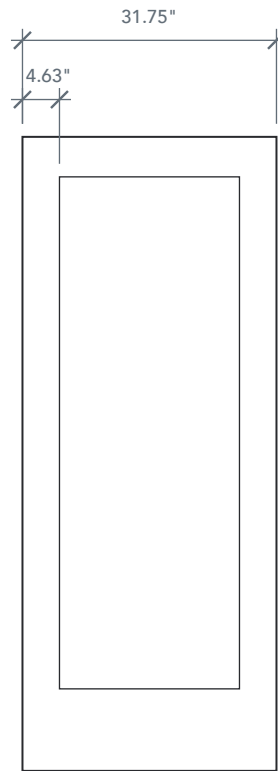
SHAKER PROFILE

AVAILABLE SIZING

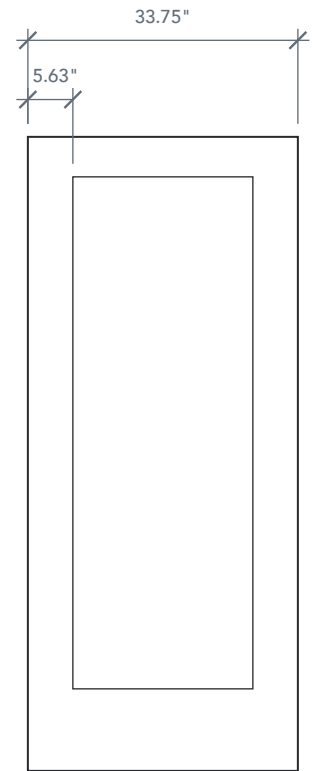
ARTWORK SCALE: 1/2"=1'



3' 0" x 6' 8"



2' 8" x 6' 8"



2' 10" x 6' 8"

NOTE: BY REQUEST, DOOR HEIGHT COMES IN VARYING DIMENSIONS TO A MINIMUM OF 79". EXCESS WILL BE TAKEN FROM BOTTOM RAIL. ALL OTHER DIMENSIONS WILL REMAIN THE SAME.

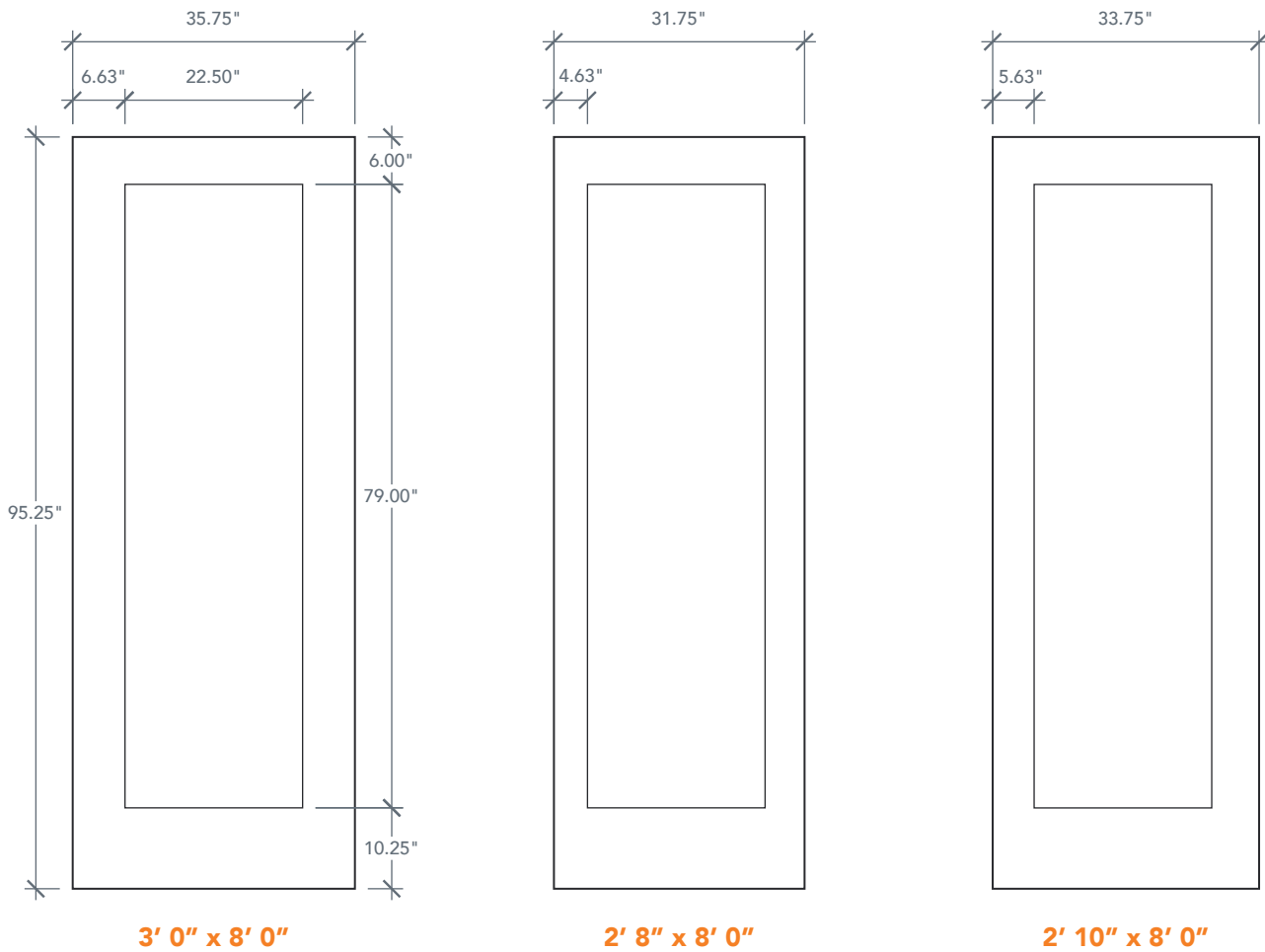
8'0" DRS1K80 ONE PANEL DOOR

SMOOTH

SHAKER PROFILE

AVAILABLE SIZING

ARTWORK SCALE: 1/2"=1'



NOTE: BY REQUEST, DOOR HEIGHT COMES IN VARYING DIMENSIONS TO A MINIMUM OF 95". EXCESS WILL BE TAKEN FROM BOTTOM RAIL. ALL OTHER DIMENSIONS WILL REMAIN THE SAME.

6'8" DRS2K/DRF2K TWO PANEL DOOR

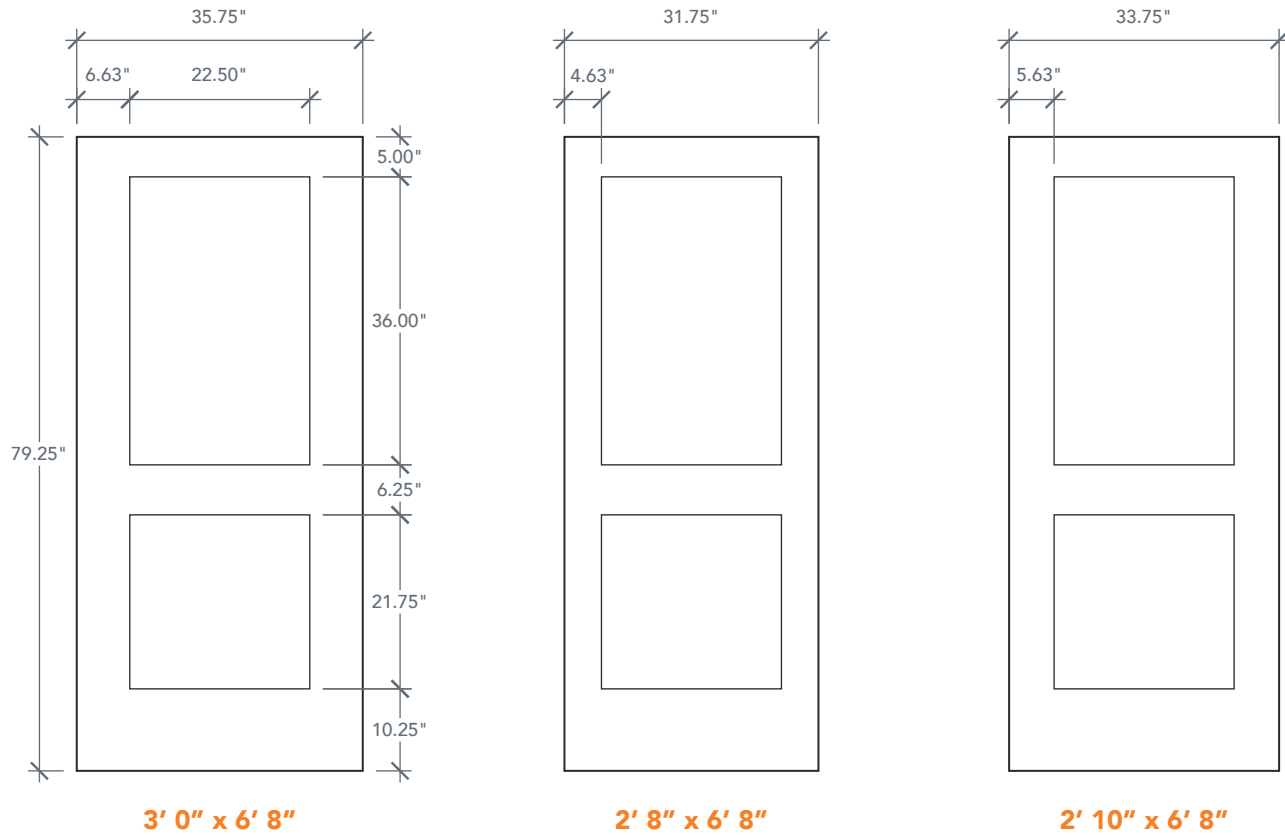
SMOOTH

FIR

SHAKER PROFILE

AVAILABLE SIZING

ARTWORK SCALE: 1/2"=1'



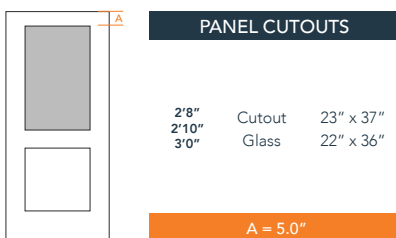
3' 0" x 6' 8"

2' 8" x 6' 8"

2' 10" x 6' 8"

NOTE: BY REQUEST, DOOR HEIGHT COMES IN VARYING DIMENSIONS TO A MINIMUM OF 79". EXCESS WILL BE TAKEN FROM BOTTOM RAIL. ALL OTHER DIMENSIONS WILL REMAIN THE SAME.

CUTOUTS & GLASS



A = DISTANCE FROM TOP OF DOOR TO TOP OF OPENING.

NOTE: PLASTPRO DOES NOT PROVIDE PRE-CUT CONFIGURATION SERVICE FOR THIS DOOR. ADD-IN LITE FRAME AVAILABLE IN SOLUTION DOORLITE SERIES.

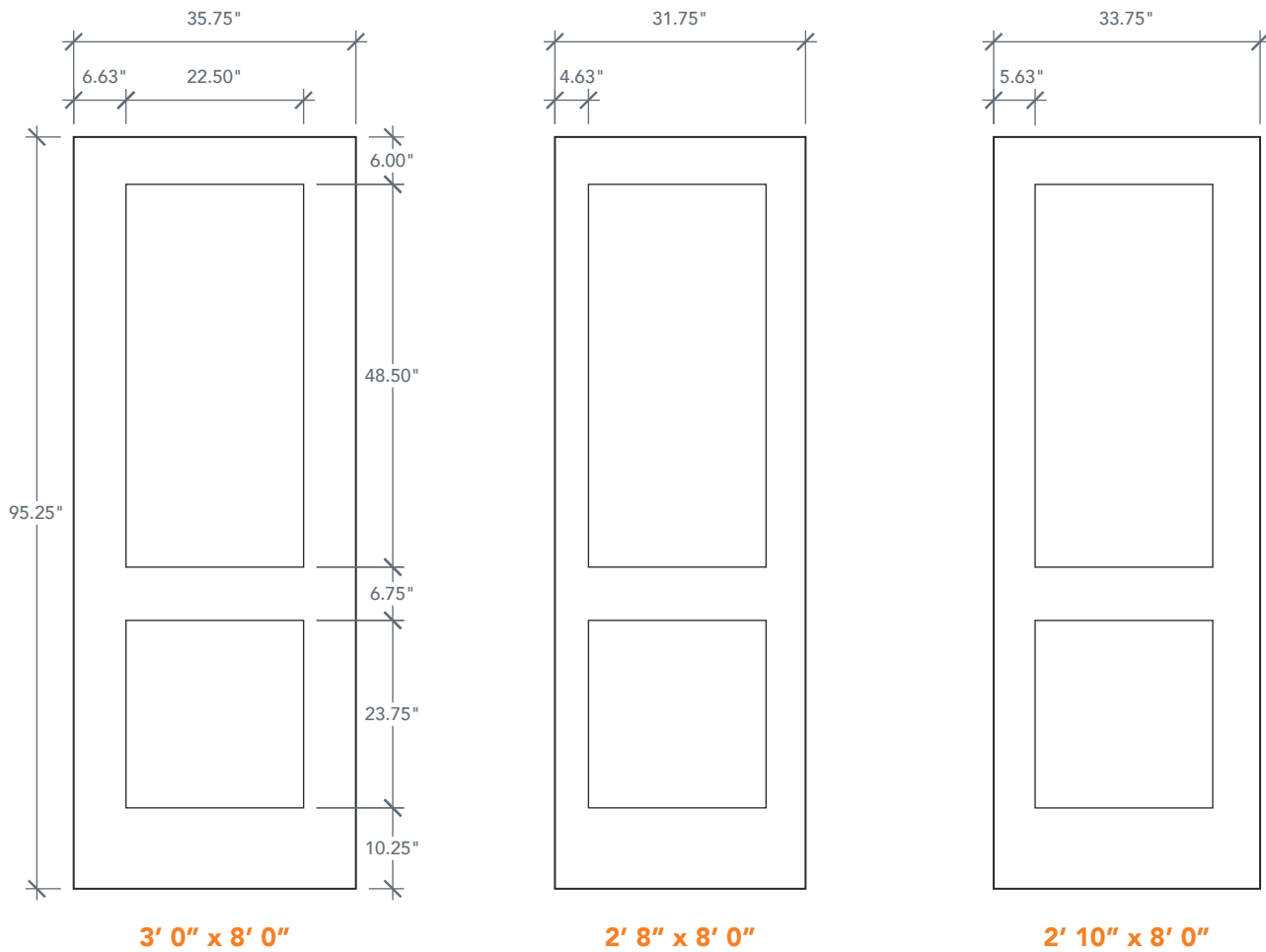
8'0" DRS2K80 TWO PANEL DOOR

SMOOTH

SHAKER PROFILE

AVAILABLE SIZING

ARTWORK SCALE: 1/2"=1'



NOTE: BY REQUEST, DOOR HEIGHT COMES IN VARYING DIMENSIONS TO A MINIMUM OF 95". EXCESS WILL BE TAKEN FROM BOTTOM RAIL. ALL OTHER DIMENSIONS WILL REMAIN THE SAME.

6'8" DRS3C/DRF3C DIRECT GLAZED CRAFTSMAN

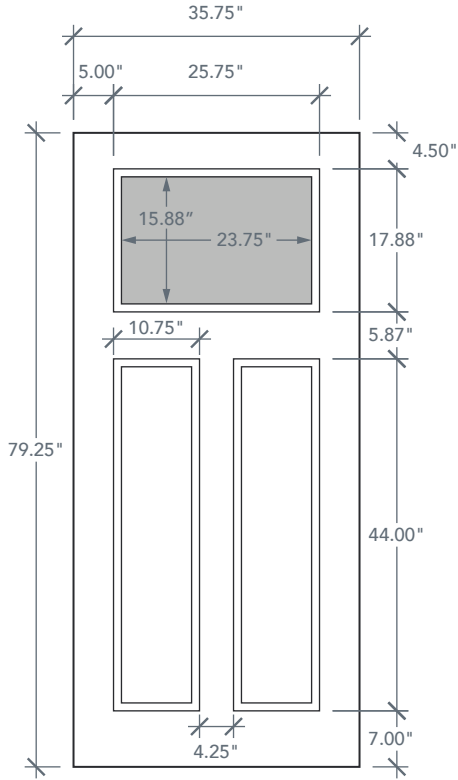
SMOOTH

FIR

OVOLO PROFILE

AVAILABLE SIZING

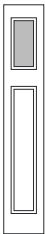
ARTWORK SCALE: 1/2"=1'



3' 0" x 6' 8"

NOTE: BY REQUEST, DOOR HEIGHT COMES IN VARYING DIMENSIONS TO A MINIMUM OF 79". EXCESS WILL BE TAKEN FROM BOTTOM RAIL. ALL OTHER DIMENSIONS WILL REMAIN THE SAME.

MATCHING SIDELITES



SLS3C/SLF3C

Available Widths:

1' 0"

1' 2"

8'0" DRS3C80/DRF3C80 DIRECT GLAZED CRAFTSMAN

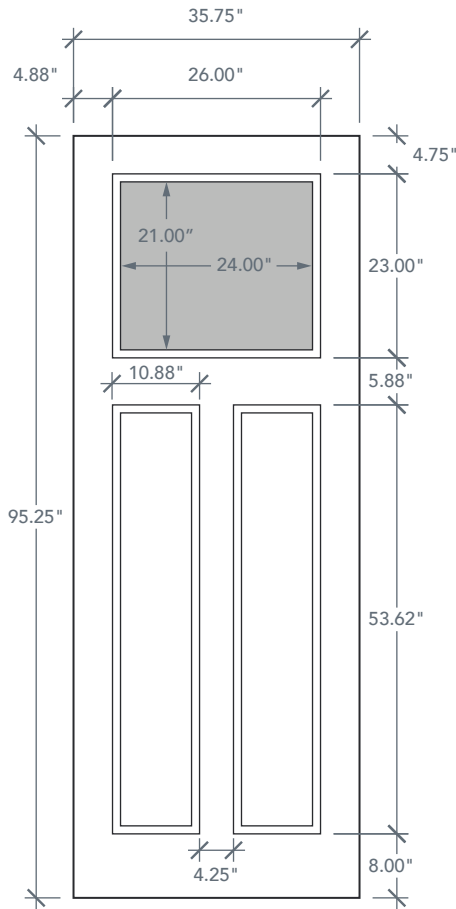
SMOOTH

FIR

OVOLO PROFILE

AVAILABLE SIZING

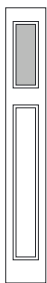
ARTWORK SCALE: 1/2"=1'



3' 0" x 8' 0"

NOTE: BY REQUEST, DOOR HEIGHT COMES IN VARYING DIMENSIONS TO A MINIMUM OF 95". EXCESS WILL BE TAKEN FROM BOTTOM RAIL. ALL OTHER DIMENSIONS WILL REMAIN THE SAME.

MATCHING SIDELITE



SLS3C80/SLF3C80

Available Widths:

1' 0"

1' 2"

6'8" DRS3F/DRF3F THREE PANEL CRAFTSMAN

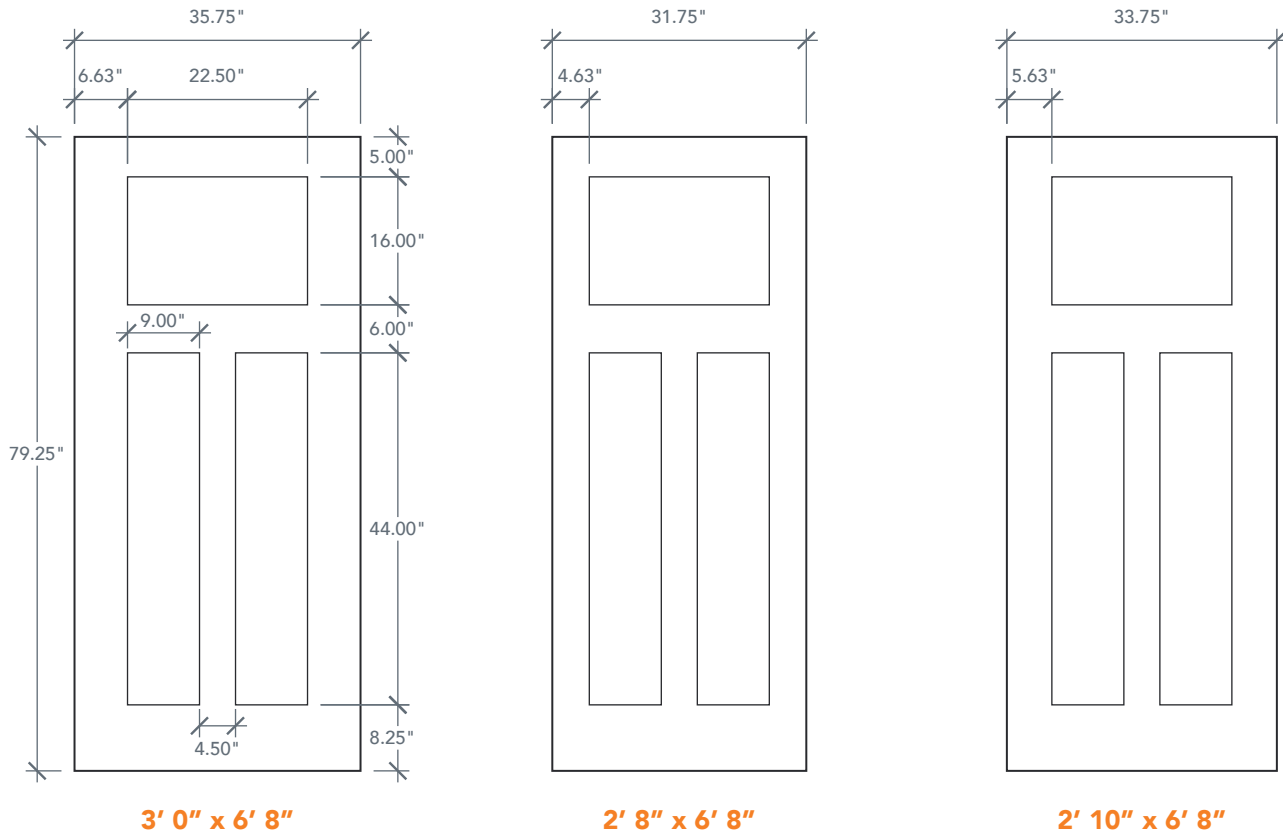
SMOOTH

FIR

SHAKER PROFILE

AVAILABLE SIZING

ARTWORK SCALE: 1/2"=1'



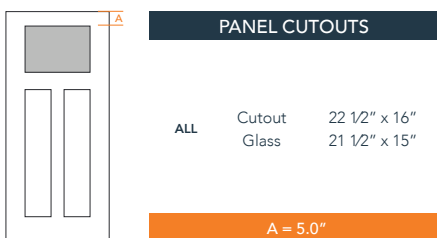
3' 0" x 6' 8"

2' 8" x 6' 8"

2' 10" x 6' 8"

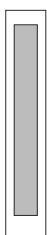
NOTE: BY REQUEST, DOOR HEIGHT COMES IN VARYING DIMENSIONS TO A MINIMUM OF 79". EXCESS WILL BE TAKEN FROM BOTTOM RAIL. ALL OTHER DIMENSIONS WILL REMAIN THE SAME.

CUTOUTS & GLASS



A = DISTANCE FROM TOP OF DOOR TO TOP OF OPENING.
NOTE: PLASTPRO DOES NOT PROVIDE PRE-CUT CONFIGURATION SERVICE FOR THIS DOOR. ADD-IN LITE FRAME AVAILABLE IN SOLUTION DOORLITE SERIES.

MATCHING SIDELITES



SLS3FL/SLF3FL
Available Widths:
1' 0"
1' 2"



SLS3S/SLF3S
Available Widths:
1' 0"
1' 2"



SLS3SL/SLF3SL
Available Widths:
1' 0"
1' 2"

8'0" DRS3F80/DRF3F80 THREE PANEL CRAFTSMAN

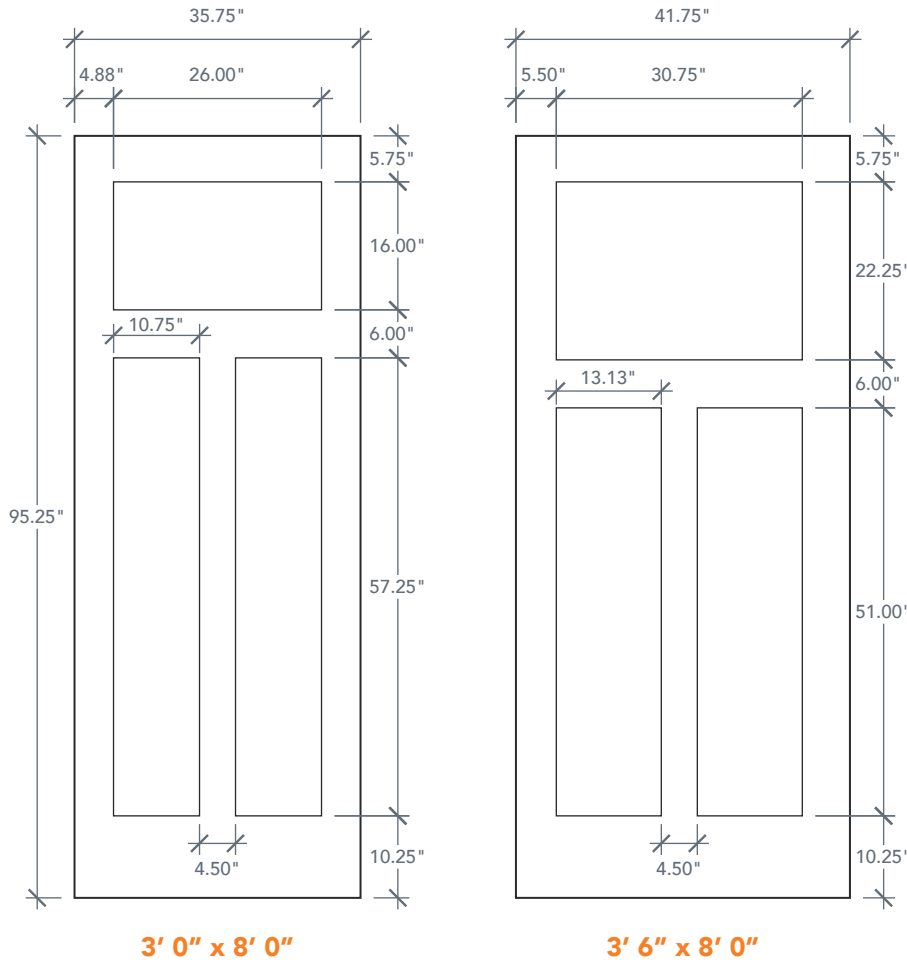
SMOOTH

FIR

SHAKER PROFILE

AVAILABLE SIZING

ARTWORK SCALE: 1/2"=1'

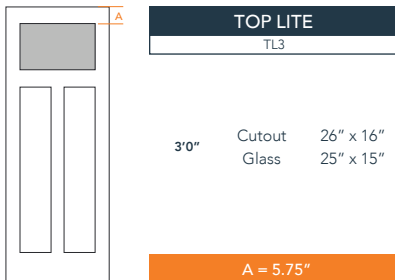


3' 0" x 8' 0"

3' 6" x 8' 0"

NOTE: BY REQUEST, DOOR HEIGHT COMES IN VARYING DIMENSIONS TO A MINIMUM OF 95". EXCESS WILL BE TAKEN FROM BOTTOM RAIL. ALL OTHER DIMENSIONS WILL REMAIN THE SAME.

CUTOUTS & GLASS



A = DISTANCE FROM TOP OF DOOR TO TOP OF OPENING. NOTE: PLASTPRO DOES NOT PROVIDE PRE-CUT CONFIGURATION SERVICE FOR THIS DOOR.

MATCHING SIDELITES



SLS3S80/SLF3S80

Available Widths:

- 1' 0"
- 1' 2"



SLS3S80L/SLF3S80L

Available Widths:

- 1' 0"
- 1' 2"

6'8" DRS3SL/DRF3SL DIRECT GLAZED CRAFTSMAN

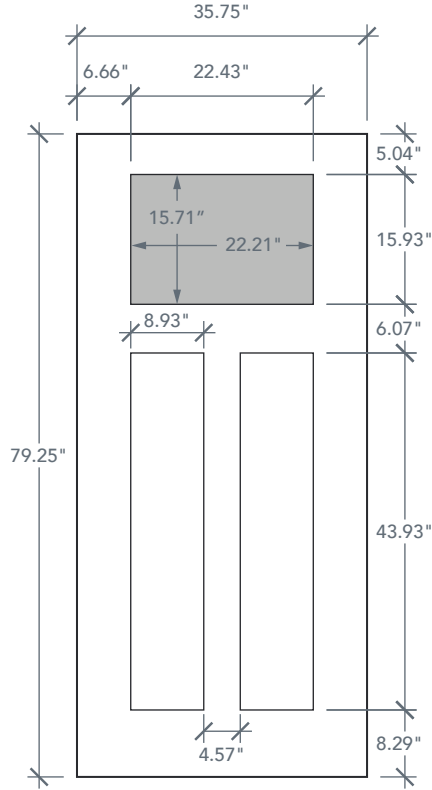
SMOOTH

FIR

SHAKER PROFILE

AVAILABLE SIZING

ARTWORK SCALE: 1/2"=1'



3' 0" x 6' 8"

NOTE: BY REQUEST, DOOR HEIGHT COMES IN VARYING DIMENSIONS TO A MINIMUM OF 79". EXCESS WILL BE TAKEN FROM BOTTOM RAIL. ALL OTHER DIMENSIONS WILL REMAIN THE SAME.

CUTOUTS & GLASS

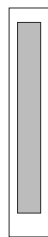


SLS3SL/SLF3SL

Available Widths:

1' 0"

1' 2"



SLS3FL/SLF3FL

Available Widths:

1' 0"

1' 2"

8'0" DRS3S80L/DRF3S80L DIRECT GLAZED CRAFTSMAN

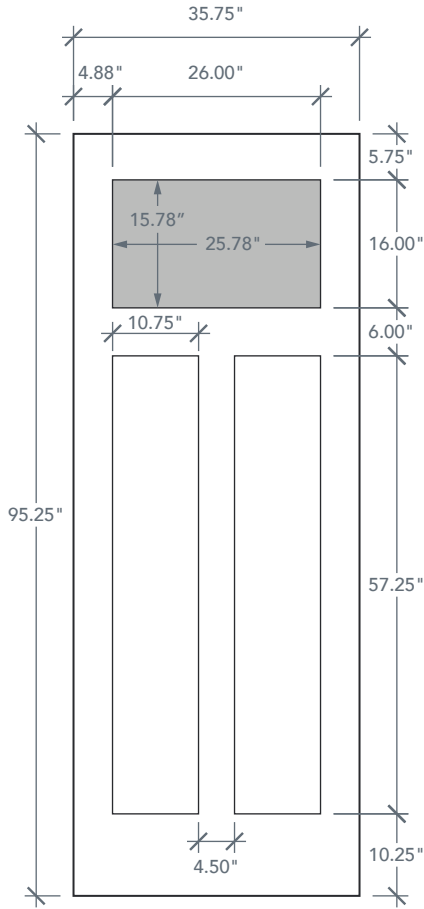
SMOOTH

FIR

SHAKER PROFILE

AVAILABLE SIZING

ARTWORK SCALE: 1/2"=1'



3' 0" x 8' 0"

NOTE: BY REQUEST, DOOR HEIGHT COMES IN VARYING DIMENSIONS TO A MINIMUM OF 95". EXCESS WILL BE TAKEN FROM BOTTOM RAIL. ALL OTHER DIMENSIONS WILL REMAIN THE SAME.

MATCHING SIDELITE



SLS3S80L/SLF3S80L

Available Widths:

1' 0"

1' 2"

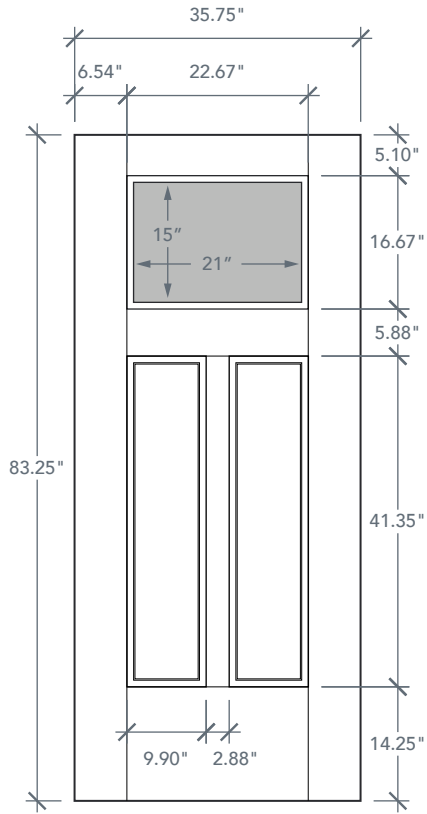
7'0" DRS3B70L DIRECT GLAZED CRAFTSMAN

BRUSHED SMOOTH

NOVA 90 PANEL DETAIL

AVAILABLE SIZING

ARTWORK SCALE: 1/2"=1'



3' 0" x 7' 0"

NOTE: BY REQUEST, DOOR HEIGHT COMES IN VARYING DIMENSIONS TO A MINIMUM OF 83". EXCESS WILL BE TAKEN FROM BOTTOM RAIL. ALL OTHER DIMENSIONS WILL REMAIN THE SAME.

6'8" DRS3J/DRF3J THREE PANEL DOOR

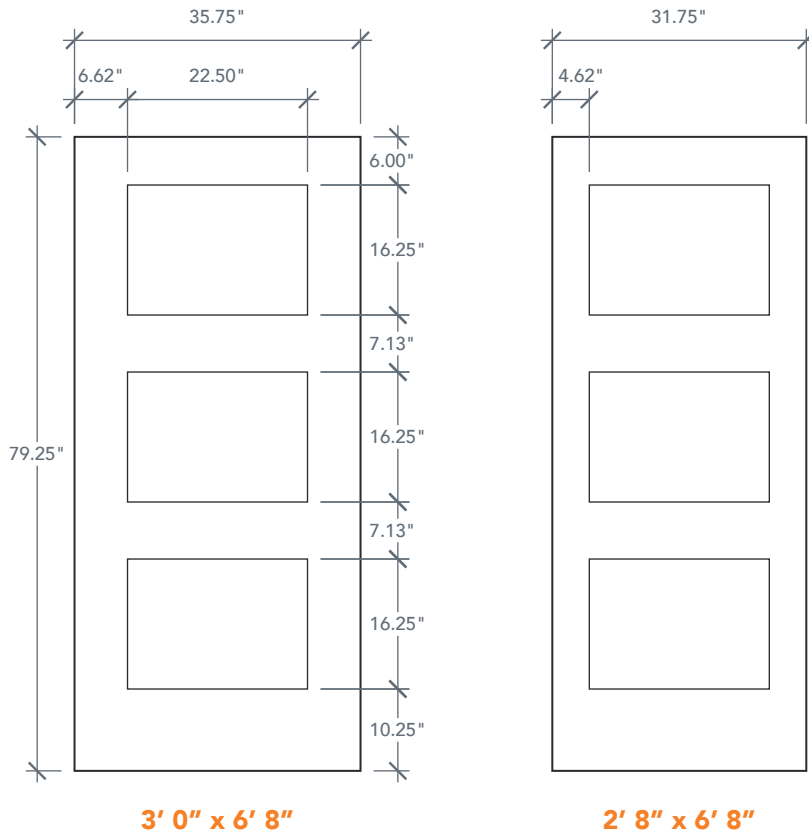
SMOOTH

FIR

SHAKER PROFILE

AVAILABLE SIZING

ARTWORK SCALE: 1/2"=1'



3' 0" x 6' 8"

2' 8" x 6' 8"

NOTE: BY REQUEST, DOOR HEIGHT COMES IN VARYING DIMENSIONS TO A MINIMUM OF 79". EXCESS WILL BE TAKEN FROM BOTTOM RAIL. ALL OTHER DIMENSIONS WILL REMAIN THE SAME.

MATCHING SIDELITES



SLF0J

Available Widths:

1' 0"

1' 2"

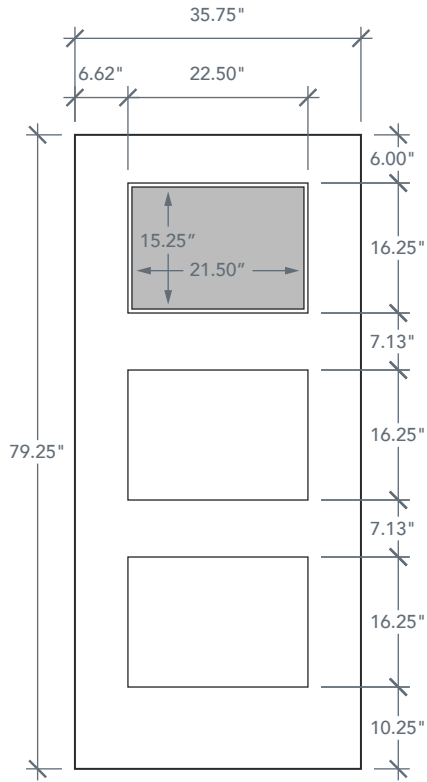
6'8" DRS3JL DIRECT GLAZED THREE PANEL DOOR

SMOOTH

SHAKER PROFILE

AVAILABLE SIZING

ARTWORK SCALE: 1/2"=1'



3' 0" x 6' 8"

NOTE: BY REQUEST, DOOR HEIGHT COMES IN VARYING DIMENSIONS TO A MINIMUM OF 79". EXCESS WILL BE TAKEN FROM BOTTOM RAIL. ALL OTHER DIMENSIONS WILL REMAIN THE SAME.

MATCHING SIDELITES

6'8" DRS50/DRF50 FIVE PANEL DOOR

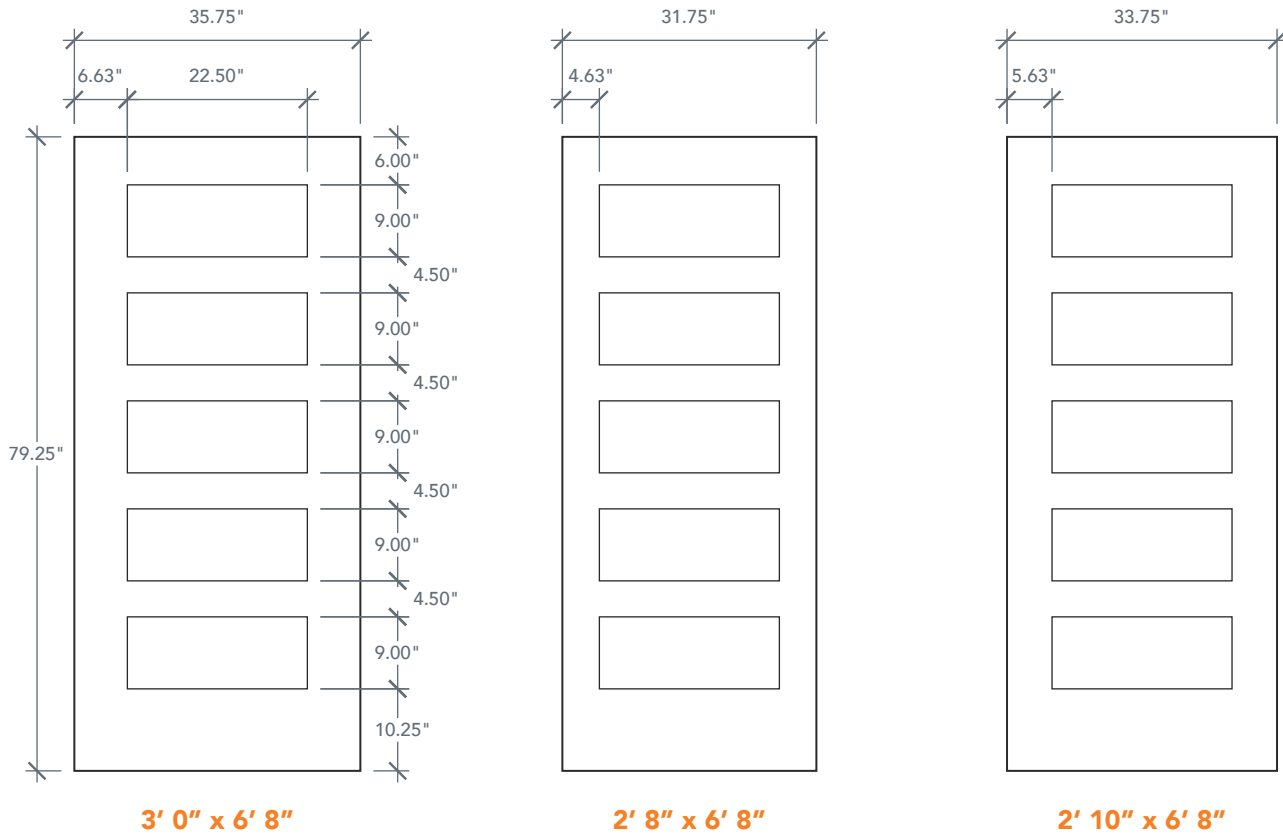
SMOOTH

FIR

SHAKER PROFILE

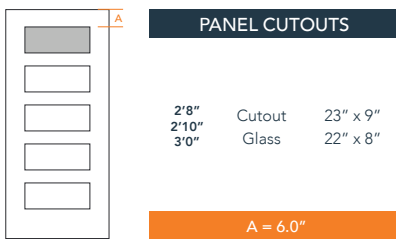
AVAILABLE SIZING

ARTWORK SCALE: 1/2"=1'



NOTE: BY REQUEST, DOOR HEIGHT COMES IN VARYING DIMENSIONS TO A MINIMUM OF 79". EXCESS WILL BE TAKEN FROM BOTTOM RAIL. ALL OTHER DIMENSIONS WILL REMAIN THE SAME.

CUTOUTS & GLASS



A = DISTANCE FROM TOP OF DOOR TO TOP OF OPENING.

NOTE: PLASTPRO DOES NOT PROVIDE PRE-CUT CONFIGURATION SERVICE FOR THIS DOOR. ADD-IN LITE FRAME AVAILABLE IN SOLUTION DOORLITE SERIES.

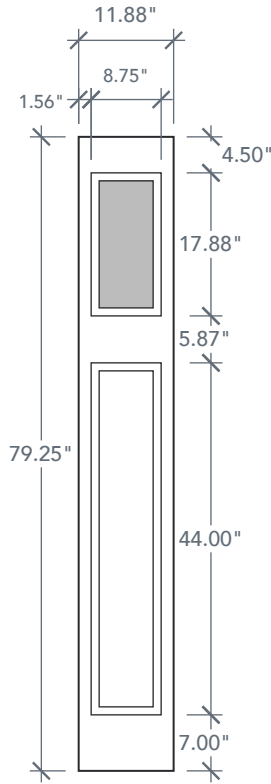
6'8" SLS3C/SLF3C DIRECT GLAZED TOP LITE SIDELITE

SMOOTH FIR

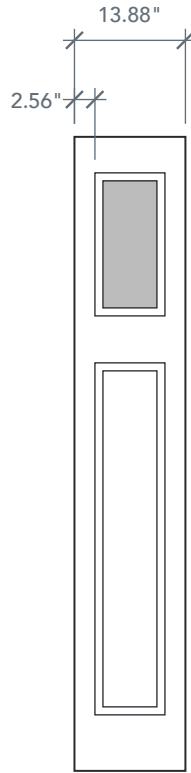
OVOLO PROFILE

AVAILABLE SIZING

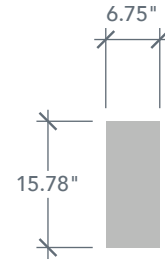
ARTWORK SCALE: 1/2"=1'



1' 0" x 6' 8"



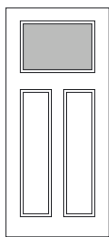
1' 2" x 6' 8"



Daylight Opening

NOTE: BY REQUEST, SIDELITE HEIGHT COMES IN VARYING DIMENSIONS TO A MINIMUM OF 79". EXCESS WILL BE TAKEN FROM BOTTOM RAIL. ALL OTHER DIMENSIONS WILL REMAIN THE SAME.

MATCHING DOOR



DRS3C/DRF3C

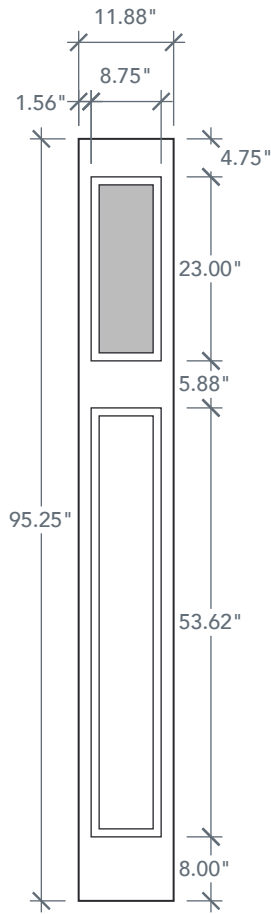
Available Widths:
3' 0"

8'0" SLS3C80/SLF3C80 DIRECT GLAZED TOP LITE SIDELITE

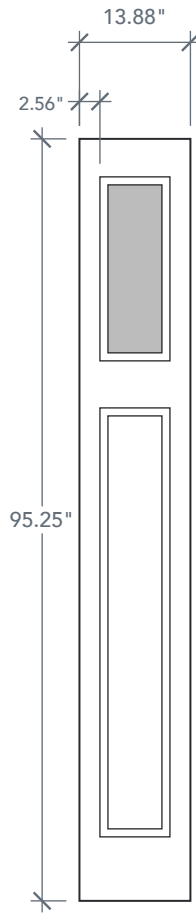
SMOOTH FIR OVOLO PROFILE

AVAILABLE SIZING

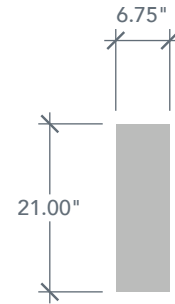
ARTWORK SCALE: 1/2"=1'



1' 0" x 8' 0"



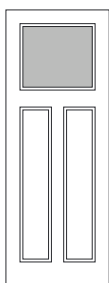
1' 2" x 8' 0"



Daylight Opening

NOTE: BY REQUEST, SIDELITE HEIGHT COMES IN VARYING DIMENSIONS TO A MINIMUM OF 95". EXCESS WILL BE TAKEN FROM BOTTOM RAIL. ALL OTHER DIMENSIONS WILL REMAIN THE SAME.

MATCHING DOOR



DRS3C80/DRF3C80

Available Widths:
3' 0"

6'8" SLS3FL/SLF3FL DIRECT GLAZED FULL LITE SIDELITE

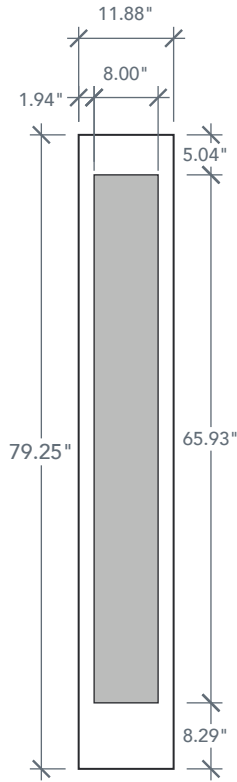
SMOOTH

FIR

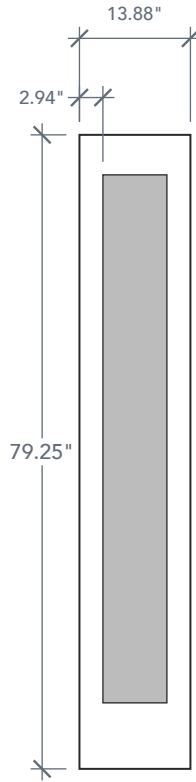
SHAKER PROFILE

AVAILABLE SIZING

ARTWORK SCALE: 1/2"=1'



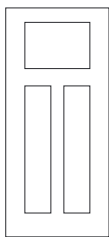
1' 0" x 6' 8"



1' 2" x 6' 8"

NOTE: BY REQUEST, SIDELITE HEIGHT COMES IN VARYING DIMENSIONS TO A MINIMUM OF 79". EXCESS WILL BE TAKEN FROM BOTTOM RAIL. ALL OTHER DIMENSIONS WILL REMAIN THE SAME.

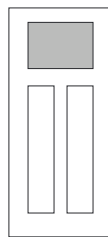
MATCHING DOORS



DRS3F/DRF3F

Available Widths:

- 2' 8"
- 2' 10"
- 3' 0"



DRS3SL/DRF3SL

Available Widths:

- 2' 8"
- 2' 10"
- 3' 0"

6'8" SLS3S/SLF3S THREE PANEL SIDELITE

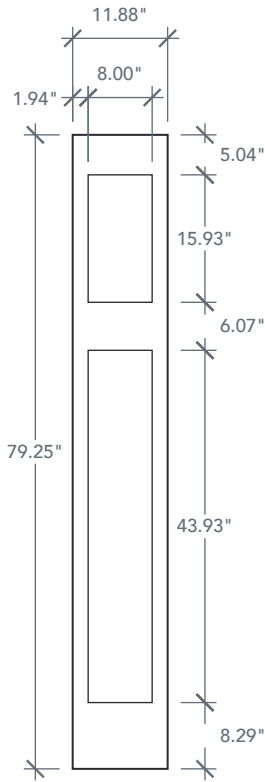
SMOOTH

FIR

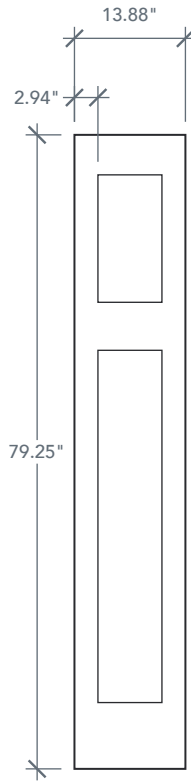
SHAKER PROFILE

AVAILABLE SIZING

ARTWORK SCALE: 1/2"=1'



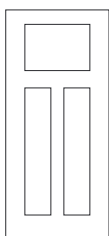
1' 0" x 6' 8"



1' 2" x 6' 8"

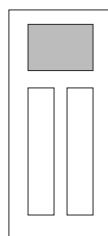
NOTE: BY REQUEST, SIDELITE HEIGHT COMES IN VARYING DIMENSIONS TO A MINIMUM OF 79". EXCESS WILL BE TAKEN FROM BOTTOM RAIL. ALL OTHER DIMENSIONS WILL REMAIN THE SAME.

MATCHING DOORS



DRS3F/DRF3F

Available Widths:
2' 8"
2' 10"
3' 0"



DRS3SL/DRF3SL

Available Widths:
2' 8"
2' 10"
3' 0"

6'8" SLS3SL/SLF3SL DIRECT GLAZED TOP LITE SIDELITE

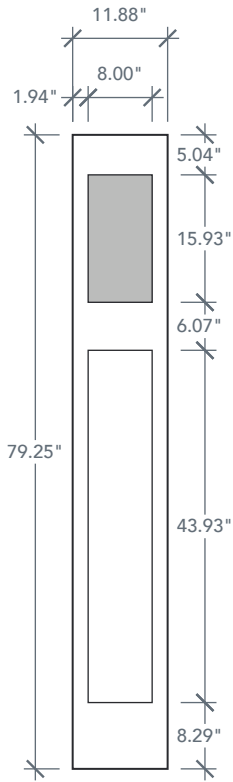
SMOOTH

FIR

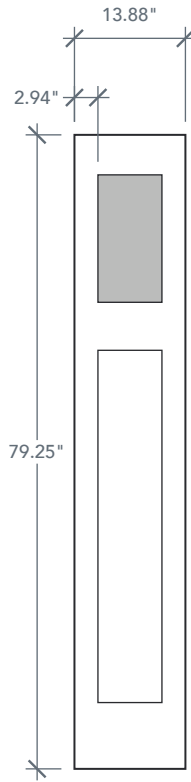
SHAKER PROFILE

AVAILABLE SIZING

ARTWORK SCALE: 1/2"=1'



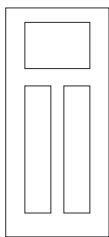
1' 0" x 6' 8"



1' 2" x 6' 8"

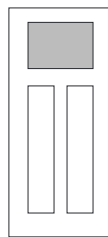
NOTE: BY REQUEST, SIDELITE HEIGHT COMES IN VARYING DIMENSIONS TO A MINIMUM OF 79". EXCESS WILL BE TAKEN FROM BOTTOM RAIL. ALL OTHER DIMENSIONS WILL REMAIN THE SAME.

MATCHING DOORS



DRS3F/DRF3F

Available Widths:
2' 8"
2' 10"
3' 0"



DRS3SL/DRF3SL

Available Widths:
2' 8"
2' 10"
3' 0"

8'0" SLS3S80/SLF3S80 THREE PANEL SIDELITE

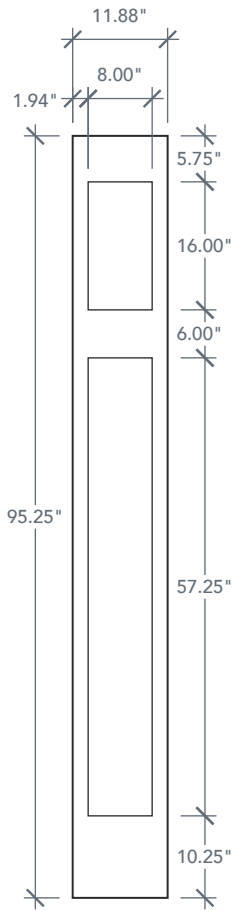
SMOOTH

FIR

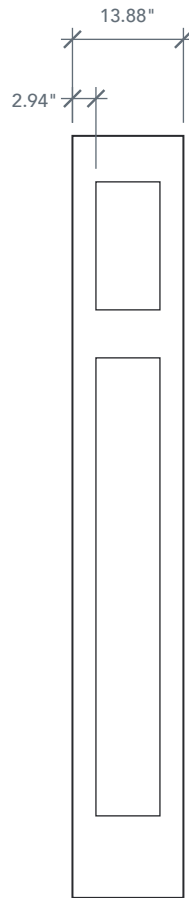
SHAKER PROFILE

AVAILABLE SIZING

ARTWORK SCALE: 1/2"=1'



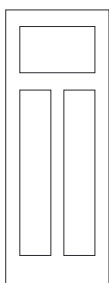
1' 0" x 8' 0"



1' 2" x 8' 0"

NOTE: BY REQUEST, SIDELITE HEIGHT COMES IN VARYING DIMENSIONS TO A MINIMUM OF 95". EXCESS WILL BE TAKEN FROM BOTTOM RAIL. ALL OTHER DIMENSIONS WILL REMAIN THE SAME.

MATCHING DOORS

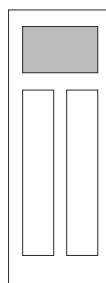


DRS3F80/DRF3F80

Available Widths:

3' 0"

NOTE: DOES NOT MATCH WITH 3'6" x 8'0"



DRS3S80L/DRF3S80L

Available Widths:

2' 8"

2' 10"

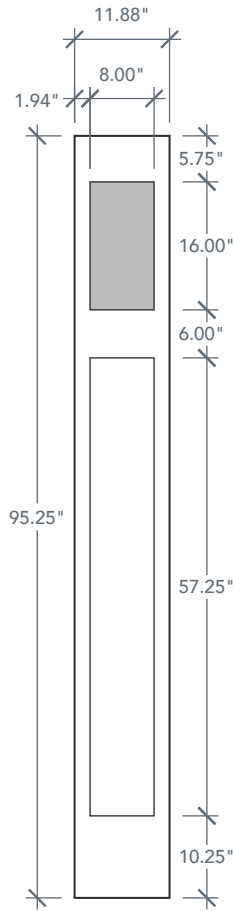
3' 0"

8'0" SLS3S80L/SLF3S80L DIRECT GLAZED TOP LITE SIDELITE

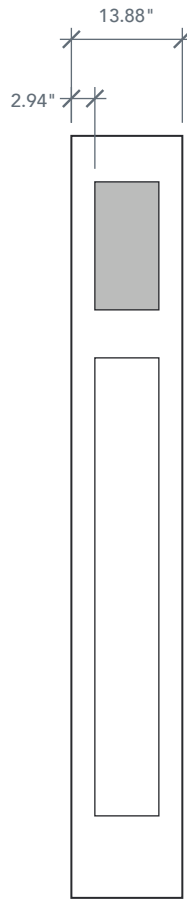
SMOOTH FIR SHAKER PROFILE

AVAILABLE SIZING

ARTWORK SCALE: 1/2"=1'

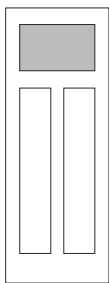


1' 0" x 8' 0"



1' 2" x 8' 0"

NOTE: BY REQUEST, SIDELITE HEIGHT COMES IN VARYING DIMENSIONS TO A MINIMUM OF 95". EXCESS WILL BE TAKEN FROM BOTTOM RAIL. ALL OTHER DIMENSIONS WILL REMAIN THE SAME.



DRS3S80L/DRF3S80L

Available Widths:

- 2' 8"
- 2' 10"
- 3' 0"

6'8" SLF0J FLUSH STILE-RAIL SIDELITE

FIR

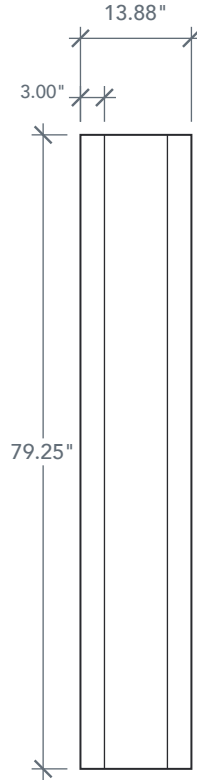
SHAKER PROFILE

AVAILABLE SIZING

ARTWORK SCALE: 1/2"=1'



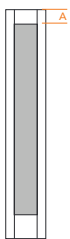
1' 0" x 6' 8"



1' 2" x 6' 8"

NOTE: BY REQUEST, SIDELITE HEIGHT COMES IN VARYING DIMENSIONS TO A MINIMUM OF 79". EXCESS WILL BE TAKEN FROM BOTTOM RAIL. ALL OTHER DIMENSIONS WILL REMAIN THE SAME.

CUTOUTS & GLASS



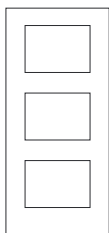
PANEL CUTOUTS

ALL	Cutout	8" x 65"
	Glass	7" x 64"

A = 5.0"

A = DISTANCE FROM TOP OF DOOR TO TOP OF OPENING.
 NOTE: PLASTPRO DOES NOT PROVIDE PRE-CUT CONFIGURATION SERVICE FOR THIS DOOR. ADD-IN LITE FRAME AVAILABLE IN SOLUTION DOORLITE SERIES.

MATCHING DOOR



DRF3J

Available Widths:

- 2' 8"
- 2' 10"
- 3' 0"

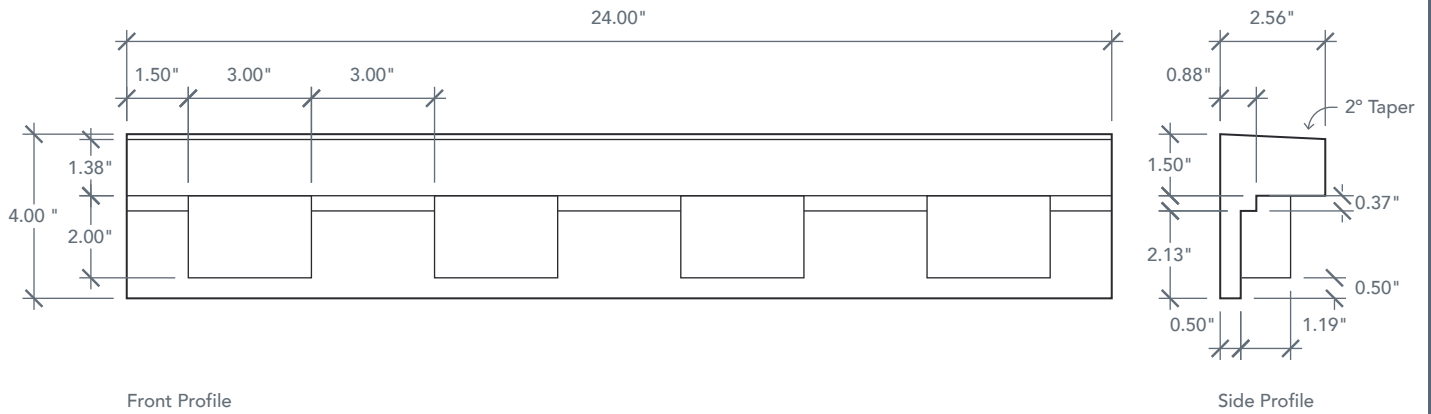
DENTIL SHELVES

SMOOTH & FIR

ACCESSORY DIMENSIONS

ARTWORK NOT TO SCALE

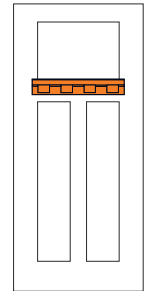
ACDSSW2404/ACDSFT2404 4 BLOCK DENTIL SHELF SMOOTH & FIR



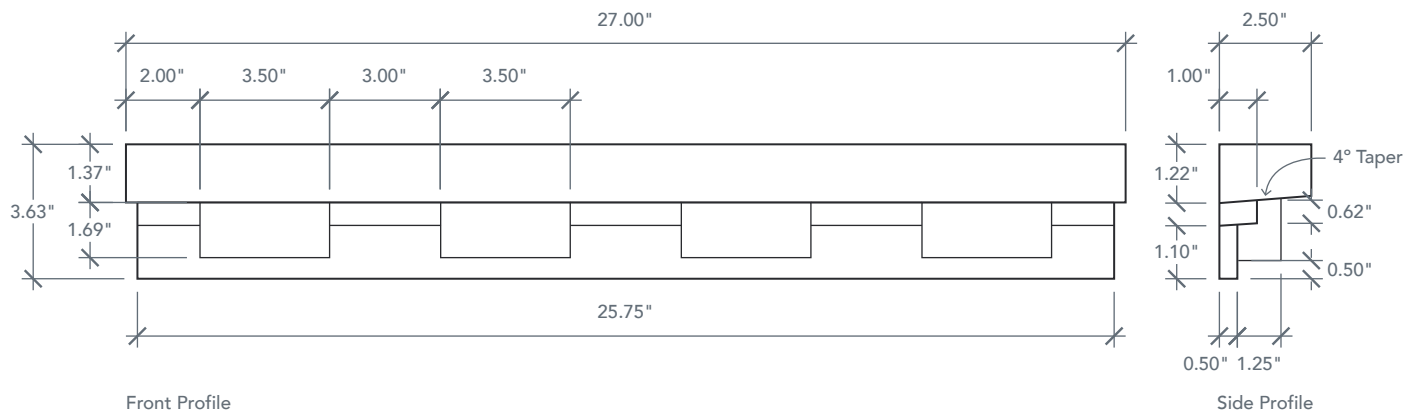
ACCESSORY INFO

Parts Per Set: 1
4 Block Dentil Shelf

Matching Doors:
DRS3F/DRF3F
DRS3SL/DRF3SL



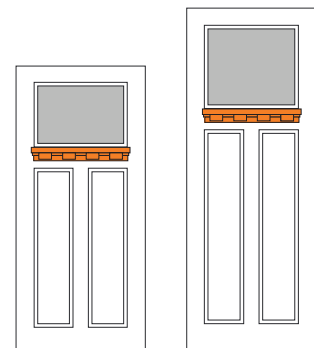
ACDSFT2704 4 BLOCK DENTIL SHELF FIR



ACCESSORY INFO

Parts Per Set: 1
4 Block Dentil Shelf

Matching Doors:
DRF3C
DRF3C80
DRF3F80
DRF3S80L



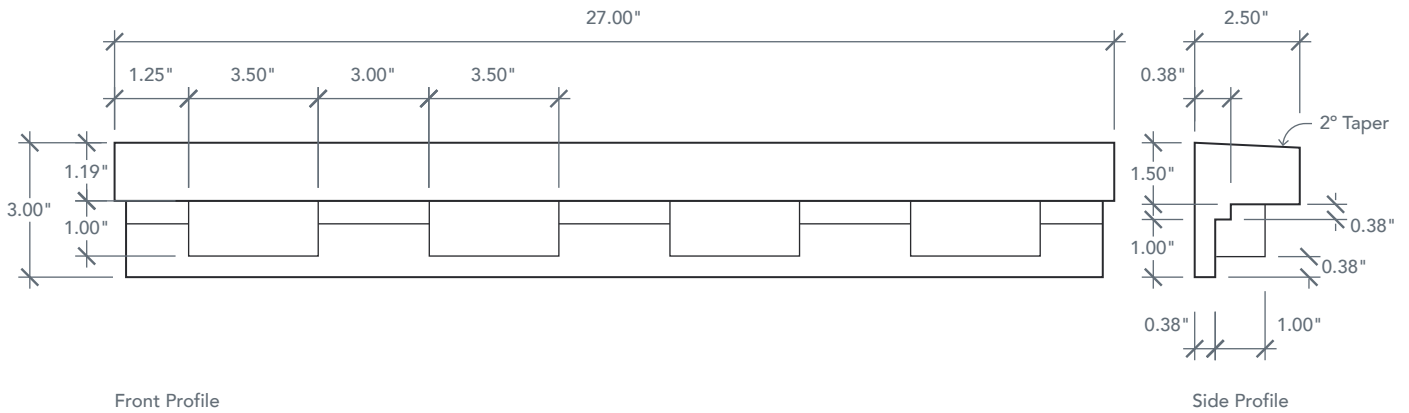
DENTIL SHELVES

SMOOTH

AVAILABLE SIZING

ARTWORK NOT TO SCALE

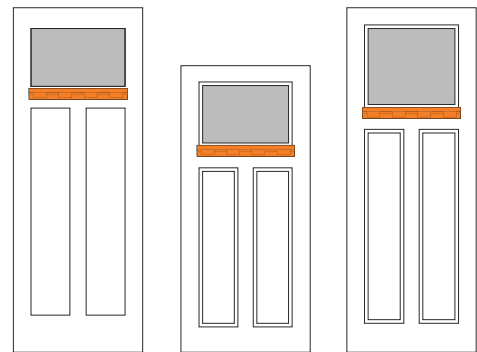
ACDSSW2704 4 BLOCK DENTIL SHELF SMOOTH



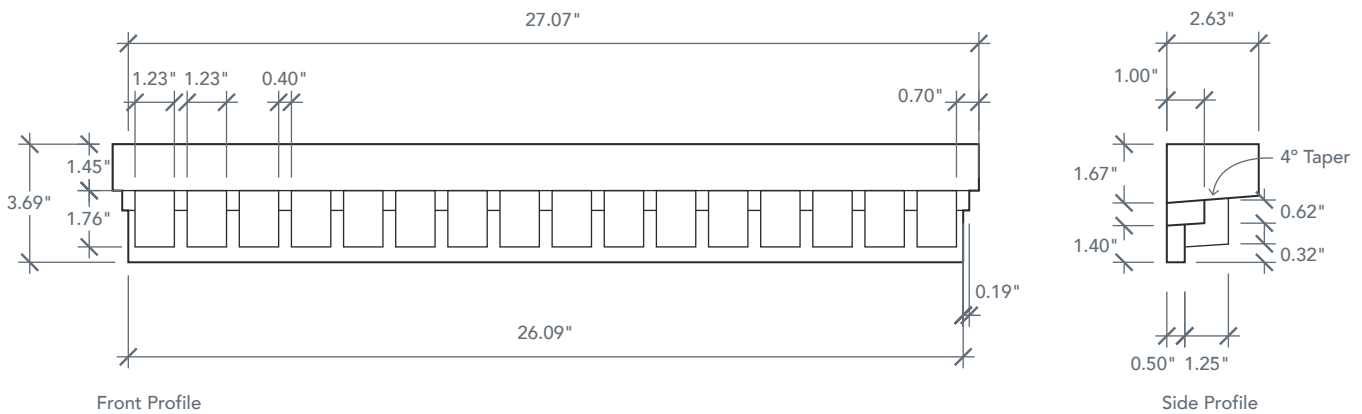
ACCESSORY INFO

Parts Per Set: 1
4 Block Dentil Shelf

Matching Doors:
DRS3F/DRF3F
DRS3S/DRF3S



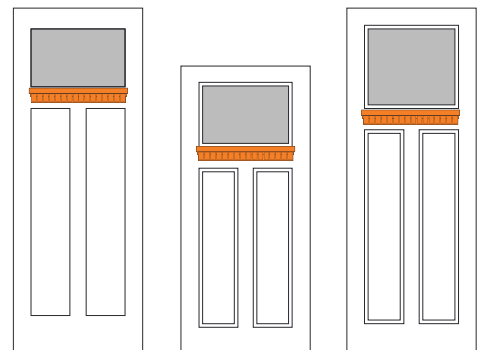
ACDSSW2716 16 BLOCK DENTIL SHELF SMOOTH



ACCESSORY INFO

Parts Per Set: 1
16 Block Dentil Shelf

Matching Doors:
DRS3C
DRS3C80
DRS3F80
DRS3S80L

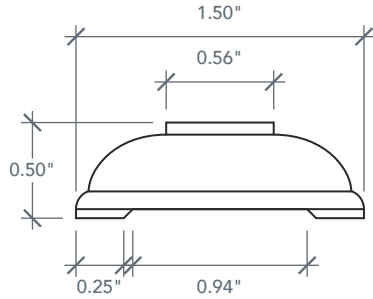


SDL BARS SIMULATED DIVIDED LITES

SMOOTH & FIR

ACCESSORY DIMENSIONS

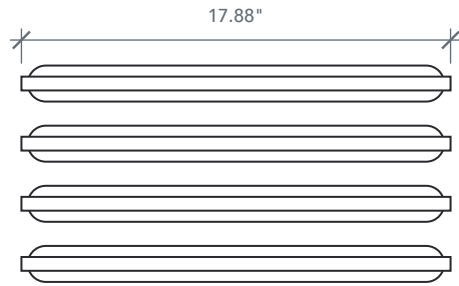
ARTWORK SCALE: AS NOTED



SDL BAR SIDE PROFILE

ARTWORK SCALE: 1"=1"

ACSDF23001 3-LITE FOR 6'8" FIR DOOR
ACSDW23005 3-LITE FOR 6'8" SMOOTH DOOR

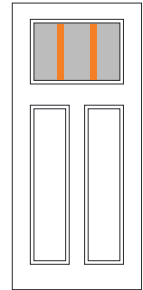


ACCESSORY INFO

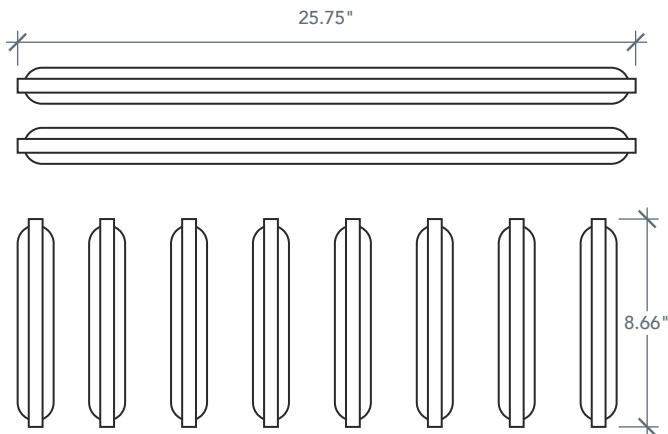
ARTWORK SCALE: 1 1/2"=1"

Pieces Per Set: 4
 17 1/8" SDL Bars (4 pcs.)

Matching Doors:
 DRF3C G000
 DRS3C G000



ACSDF23002 6-LITE FOR 6'8" FIR DOOR
ACSDW23006 6-LITE FOR 6'8" SMOOTH DOOR

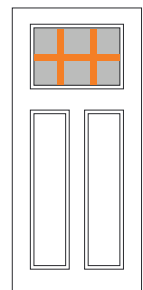


ACCESSORY INFO

ARTWORK SCALE: 1 1/2"=1"

Pieces Per Set: 10
 25 3/4" SDL Bars (2 pcs.)
 8 2 1/2" SDL Bars (8 pcs.)

Matching Doors:
 DRF3C G000
 DRS3C G000



SDL BARS SIMULATED DIVIDED LITES

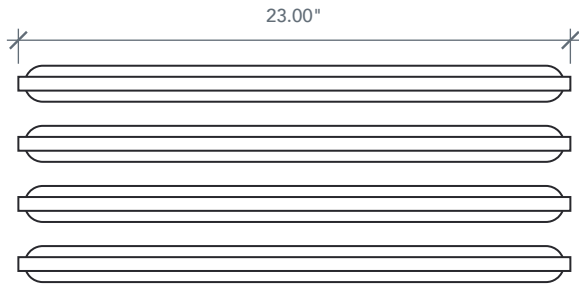
SMOOTH & FIR

ACCESSORY DIMENSIONS

ARTWORK SCALE: AS NOTED

ACSDF23005 3-LITE FOR 8'0" FIR DOOR

ACSDW23001 3-LITE FOR 8'0" SMOOTH DOOR

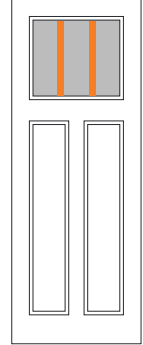


ACCESSORY INFO

ARTWORK SCALE: 1 1/2"=1"

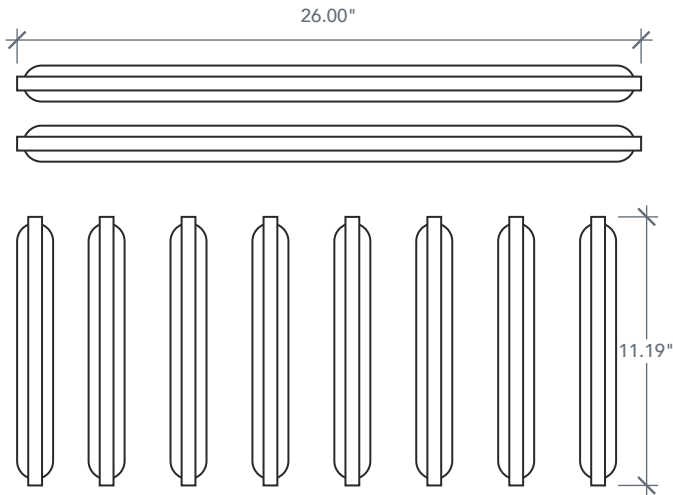
Pieces Per Set: 4
23" SDL Bars (4 pcs.)

Matching Doors:
DRF3C80 G000
DRS3C80 G000



ACSDF23006 6-LITE FOR 8'0" FIR DOOR

ACSDW23002 6-LITE FOR 8'0" SMOOTH DOOR

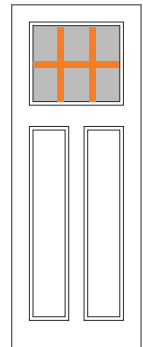


ACCESSORY INFO

ARTWORK SCALE: 1 1/2"=1"

Pieces Per Set: 10
26" SDL Bars (2 pcs.)
11 3/16" SDL Bars (8 pcs.)

Matching Doors:
DRF3C80 G000
DRS3C80 G000



ACSDF23004 2-LITE FOR 6'8" & 8'0" FIR SIDELITE

ACSDW23004 2-LITE FOR 6'8" & 8'0" SMOOTH SIDELITE

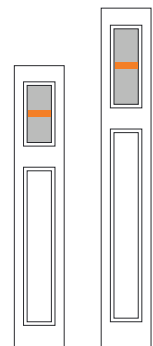


ACCESSORY INFO

ARTWORK SCALE: 1 1/2"=1"

Pieces Per Set: 2
8 3/4" SDL Bars (2 pcs.)

Matching Sidelites:
SLF3C G000
SLF3C80 G000
SLS3C G000
SLS3C80 G000

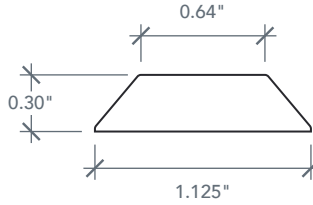
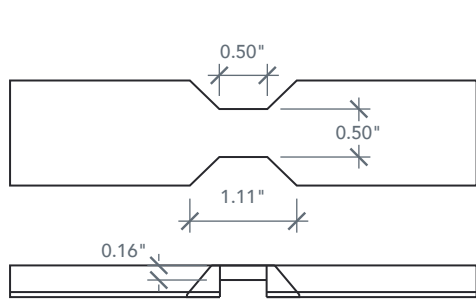


SDL BARS SIMULATED DIVIDED LITES

SMOOTH & FIR

AVAILABLE SIZING

ARTWORK SCALE: AS NOTED



SDL BAR SIDE PROFILE

ARTWORK NOT TO SCALE

ACSDF3S680-3L 3-LITE FOR 6'8" FIR DOOR
ACSDW3S680-3L 3-LITE FOR 6'8" SMOOTH DOOR

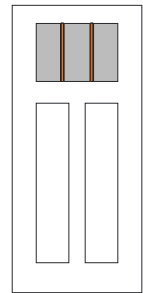


ACCESSORY INFO

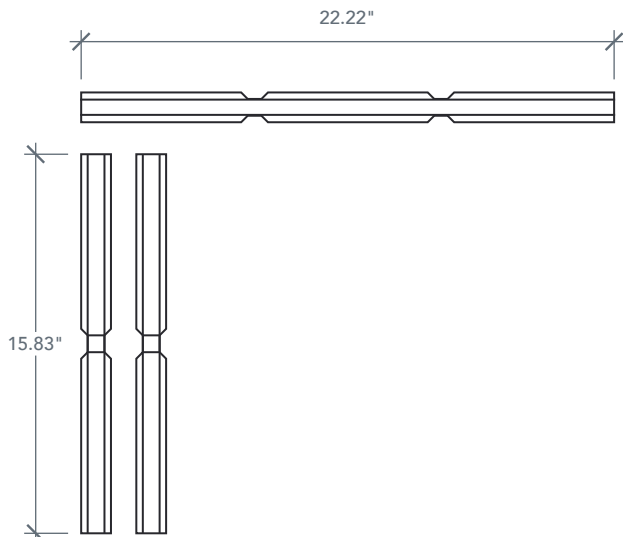
ARTWORK SCALE: 1 1/2"=1"

Pieces Per Set: 2
 15.87" SDL Bars (2 pcs.)

Matching Doors:
 DRF3SL
 DRS3SL



ACSDF3S680-6L 6-LITE FOR 6'8" FIR DOOR
ACSDW3S680-6L 6-LITE FOR 6'8" SMOOTH DOOR

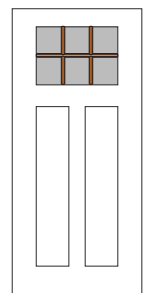


ACCESSORY INFO

ARTWORK SCALE: 1 1/2"=1"

Pieces Per Set: 3
 22.22" SDL Bars (1 pcs.)
 15.83" SDL Bars (2 pcs.)

Matching Doors:
 DRF3SL
 DRS3SL

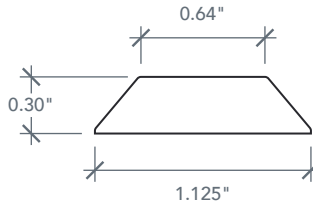
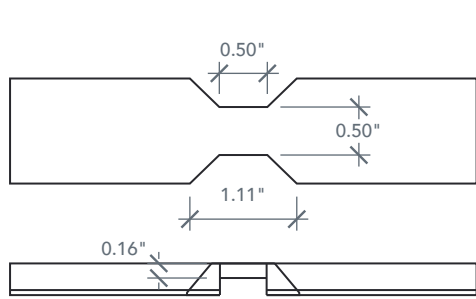


SDL BARS SIMULATED DIVIDED LITES

SMOOTH & FIR

AVAILABLE SIZING

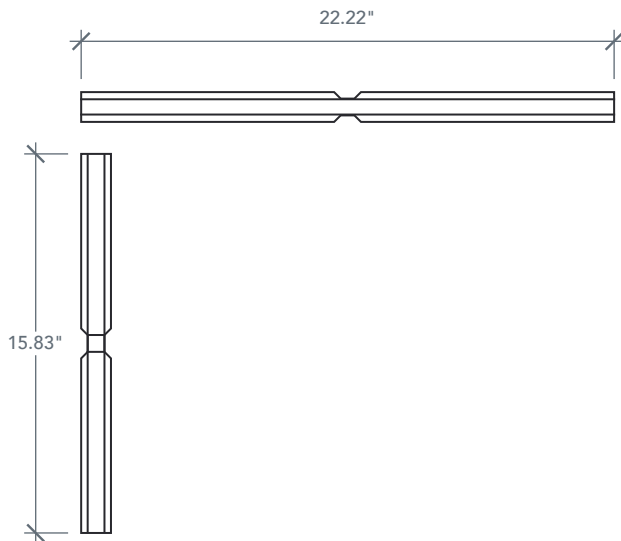
ARTWORK SCALE: AS NOTED



SDL BAR SIDE PROFILE

ARTWORK NOT TO SCALE

ACSDS3S680-4L 4-LITE FOR 6'8" SMOOTH DOOR



ACCESSORY INFO

ARTWORK SCALE: 1 1/2"=1"

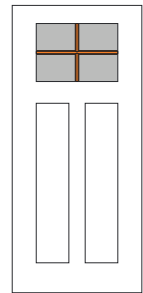
Pieces Per Set: 3

22.22" SDL Bars (1 pcs.)

15.83" SDL Bars (1 pcs.)

Matching Doors:

DRS3SL

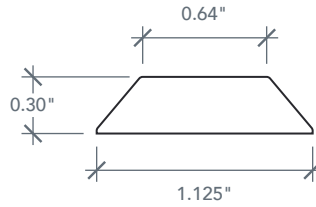
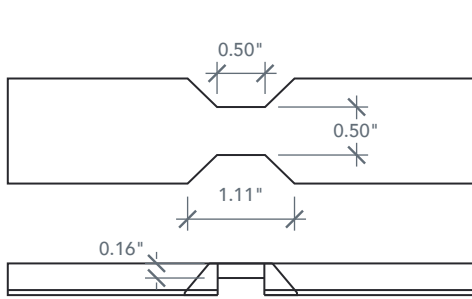


SDL BARS SIMULATED DIVIDED LITES

SMOOTH & FIR

AVAILABLE SIZING

ARTWORK SCALE: AS NOTED



SDL BAR SIDE PROFILE

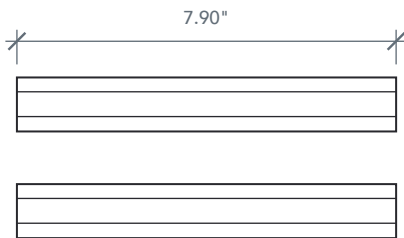
ARTWORK NOT TO SCALE

ACSDF4S6802-2SL 3-LITE FOR 6'8" FIR DOOR

ACSDW3S6802-2SL 3-LITE FOR 6'8" SMOOTH DOOR

ACCESSORY INFO

ARTWORK SCALE: 3"=1"



Pieces Per Set: 1
7.9" SDL Bars (1 pcs.)

Matching Sidelite:
DRF3SL
DRF3SL



RUSTIC SERIES

Hold your horses everyone, because you've got to see the breathtaking country like doors that Plastpro's Rustic Series has to offer. This series is far from ordinary. Its distinct panel details, beautifully crafted vertical planks, and arched and radius tops deliver a warm and homey sensation to any entryway. Our Rustic Doors' dark and smooth features also add a touch of modernness while embracing sweet southern hospitality. For those wanting to magnify the vintage look, this series also includes a line of wrought iron accessories for further customization, one can't help but observe.

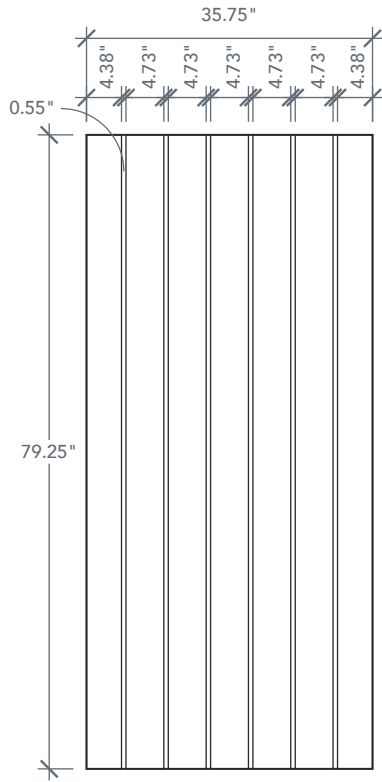
PG 78 - 95

6'8" DRATP TRUE PLANK DOOR

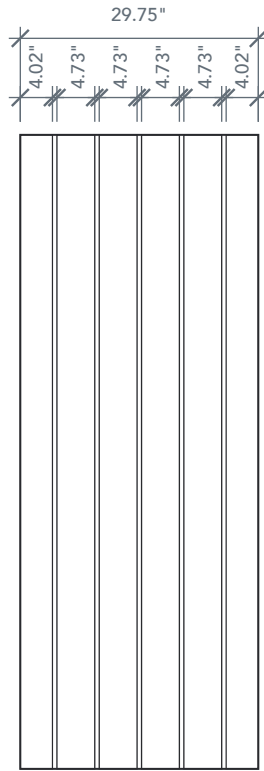
SQUARE TOP

AVAILABLE SIZING

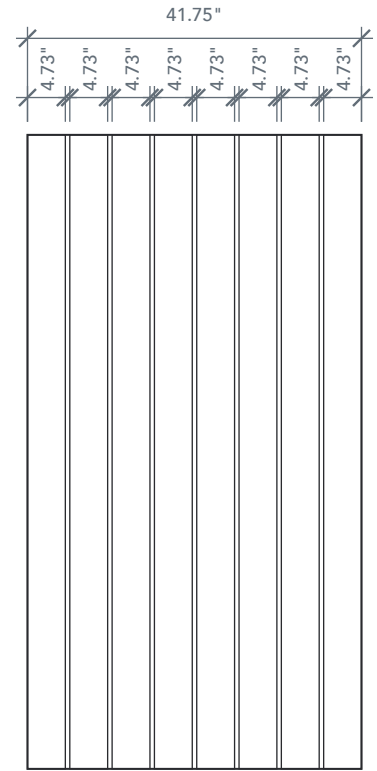
ARTWORK SCALE: 1/2"=1'



3' 0" x 6' 8"



2' 6" x 6' 8"



3' 6" x 6' 8"

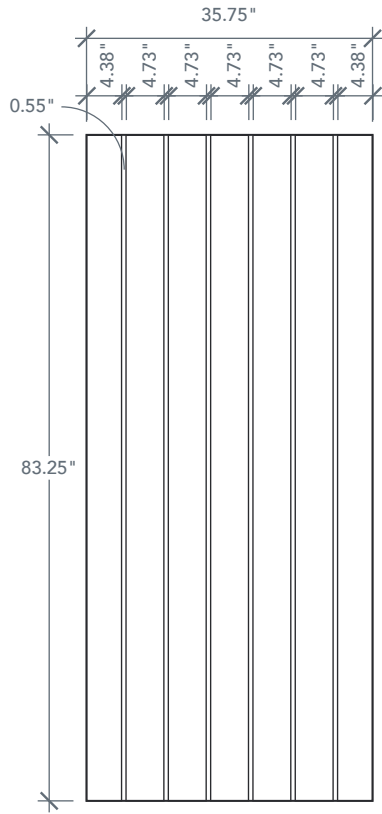
NOTE: BY REQUEST, DOOR HEIGHT COMES IN VARYING DIMENSIONS TO A MINIMUM OF 79". EXCESS WILL BE TAKEN FROM BOTTOM RAIL. ALL OTHER DIMENSIONS WILL REMAIN THE SAME.

7'0" DRATP70 TRUE PLANK DOOR

SQUARE TOP

AVAILABLE SIZING

ARTWORK SCALE: 1/2"=1'



3' 0" x 7' 0"

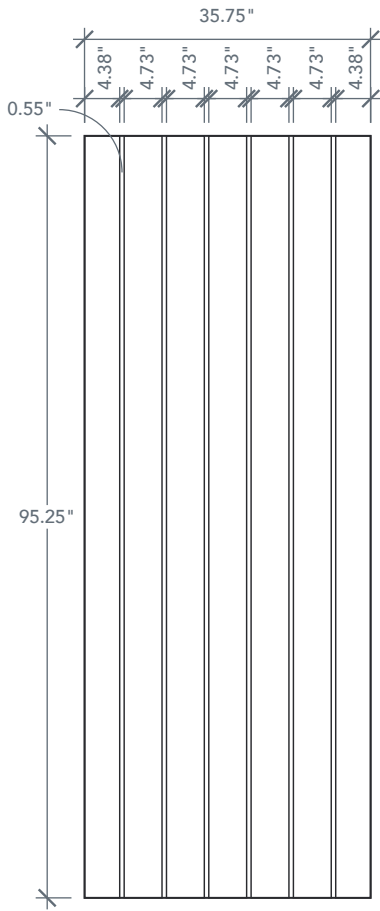
NOTE: BY REQUEST, DOOR HEIGHT COMES IN VARYING DIMENSIONS TO A MINIMUM OF 83". EXCESS WILL BE TAKEN FROM BOTTOM RAIL. ALL OTHER DIMENSIONS WILL REMAIN THE SAME.

8'0" DRATP80 TRUE PLANK DOOR

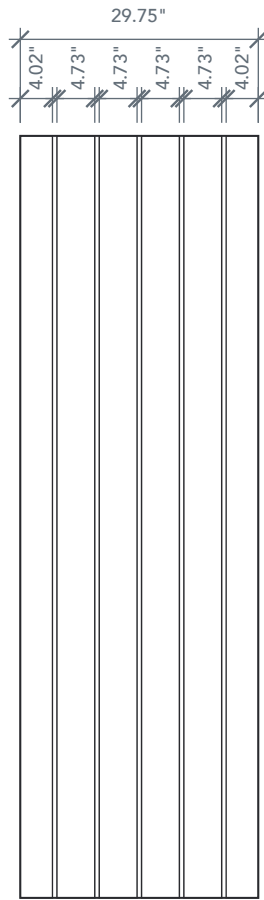
SQUARE TOP

AVAILABLE SIZING

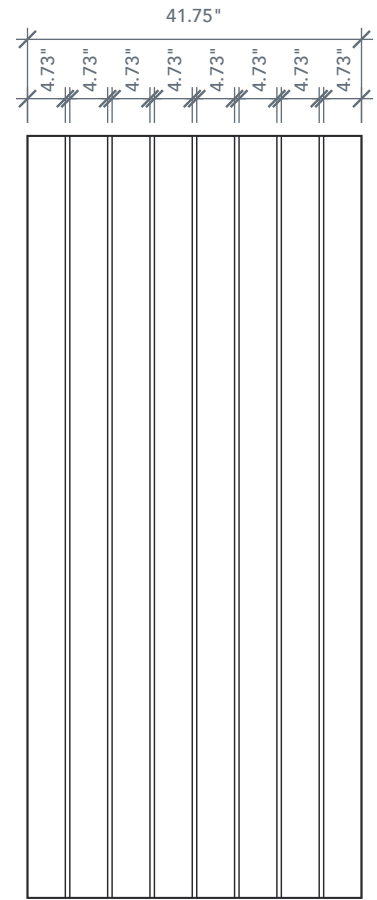
ARTWORK SCALE: 1/2"=1'



3' 0" x 8' 0"



2' 6" x 8' 0"



3' 6" x 8' 0"

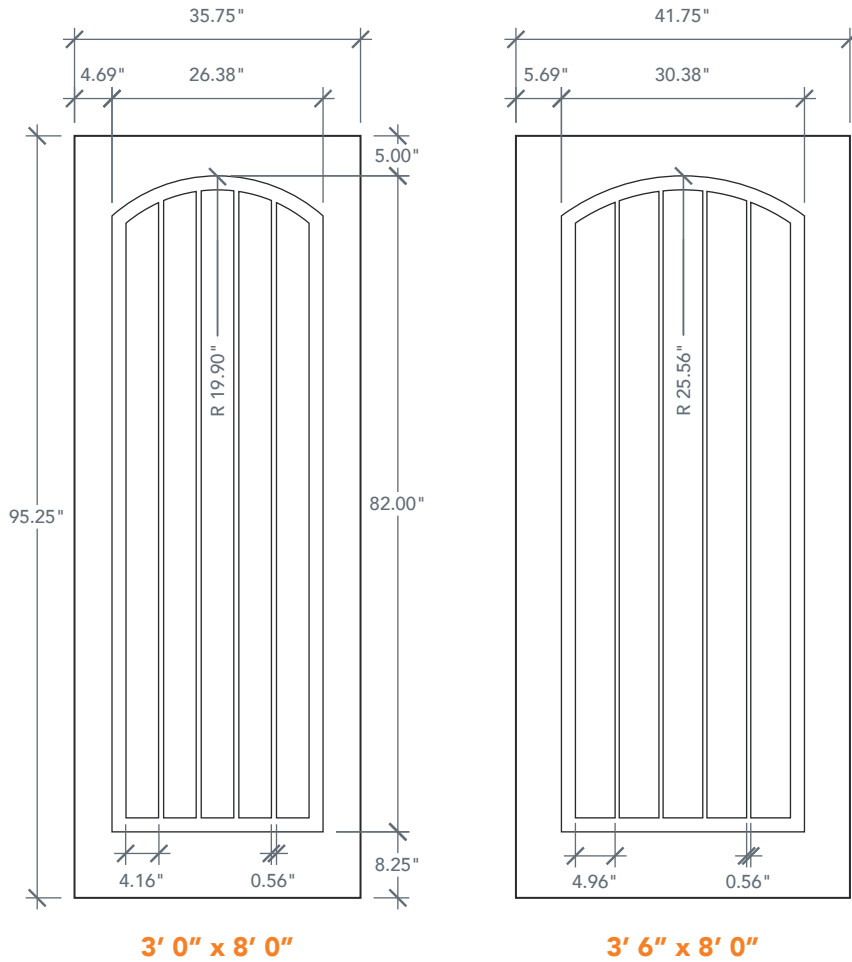
NOTE: BY REQUEST, DOOR HEIGHT COMES IN VARYING DIMENSIONS TO A MINIMUM OF 95". EXCESS WILL BE TAKEN FROM BOTTOM RAIL. ALL OTHER DIMENSIONS WILL REMAIN THE SAME.

8'0" DRA1A80 ONE PANEL DOOR

ARCH PLANK & SQUARE TOP

AVAILABLE SIZING

ARTWORK SCALE: 1/2"=1'



3' 0" x 8' 0"

3' 6" x 8' 0"

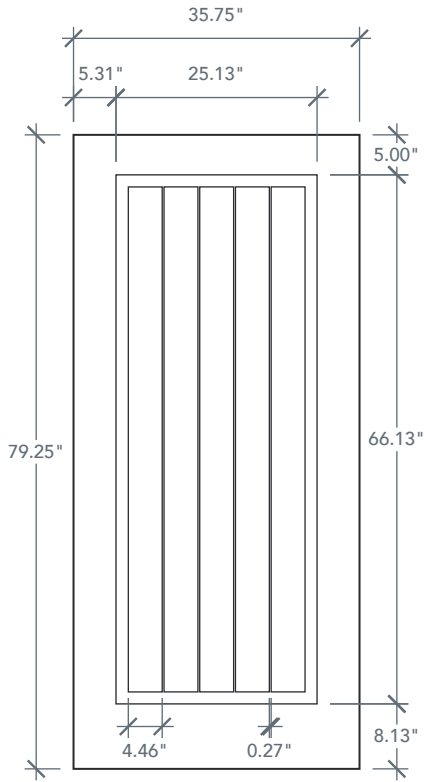
NOTE: BY REQUEST, DOOR HEIGHT COMES IN VARYING DIMENSIONS TO A MINIMUM OF 95". EXCESS WILL BE TAKEN FROM BOTTOM RAIL. ALL OTHER DIMENSIONS WILL REMAIN THE SAME.

6'8" DRA1P ONE PANEL DOOR

SQUARE PLANK & SQUARE TOP

AVAILABLE SIZING

ARTWORK SCALE: 1/2"=1'



3' 0" x 6' 8"

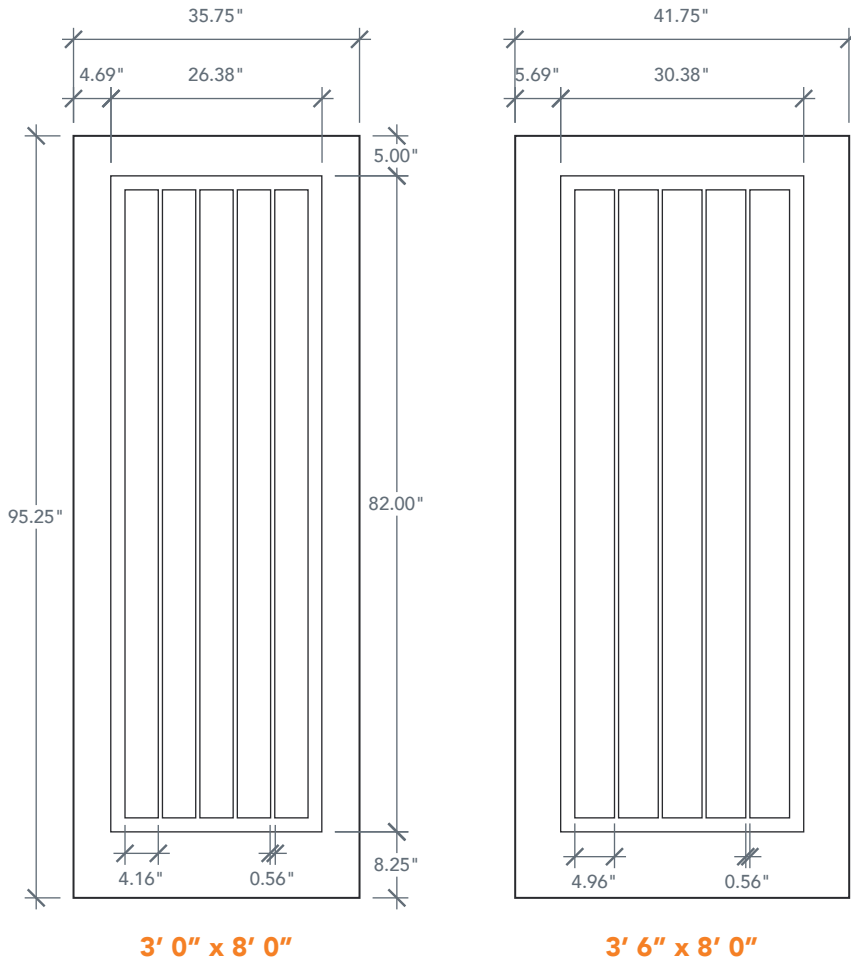
NOTE: BY REQUEST, DOOR HEIGHT COMES IN VARYING DIMENSIONS TO A MINIMUM OF 79". EXCESS WILL BE TAKEN FROM BOTTOM RAIL. ALL OTHER DIMENSIONS WILL REMAIN THE SAME.

8'0" DRA1P80 ONE PANEL DOOR

SQUARE PLANK & SQUARE TOP

AVAILABLE SIZING

ARTWORK SCALE: 1/2"=1'



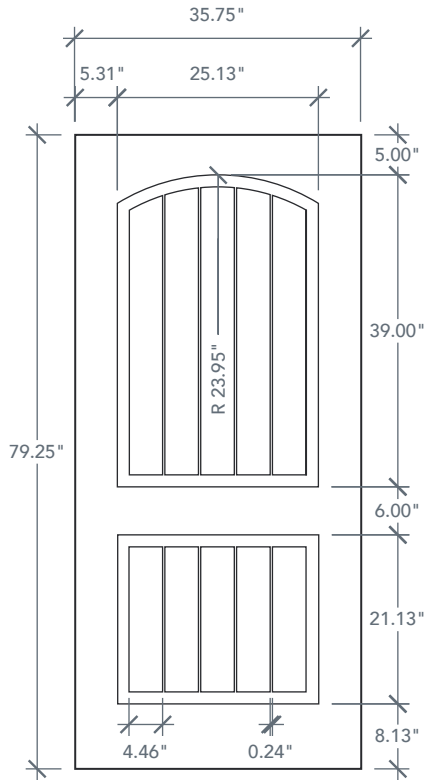
NOTE: BY REQUEST, DOOR HEIGHT COMES IN VARYING DIMENSIONS TO A MINIMUM OF 95". EXCESS WILL BE TAKEN FROM BOTTOM RAIL. ALL OTHER DIMENSIONS WILL REMAIN THE SAME.

6'8" DRA2A TWO PANEL DOOR

ARCH PLANK & SQUARE TOP

AVAILABLE SIZING

ARTWORK SCALE: 1/2"=1'



3' 0" x 6' 8"

NOTE: BY REQUEST, DOOR HEIGHT COMES IN VARYING DIMENSIONS TO A MINIMUM OF 79". EXCESS WILL BE TAKEN FROM BOTTOM RAIL. ALL OTHER DIMENSIONS WILL REMAIN THE SAME.

CUTOUTS & GLASS

HALF ARCH LITE	
3R4	
3'0"	Cutout 25 1/4" x 39"
	Glass 24 1/4" x 38"
A = 5.0"	

HALF LITE	
344	
3'0"	Cutout 25 1/8" x 39"
	Glass 24 1/8" x 38"
A = 5.0"	

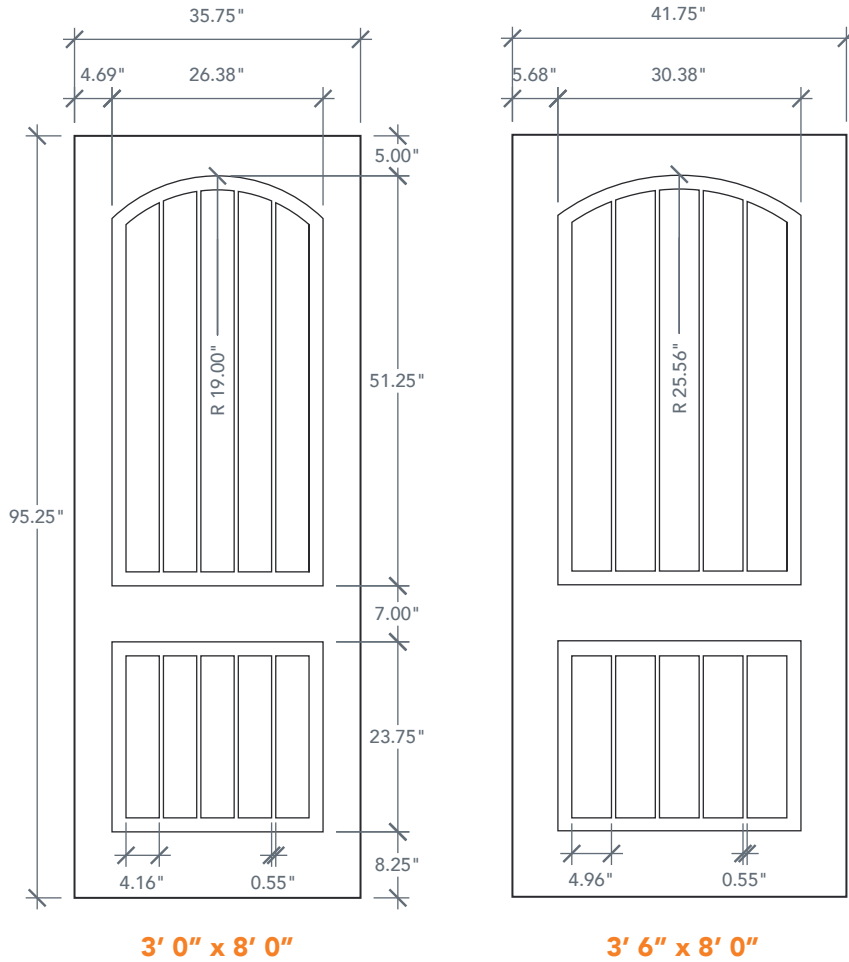
A = DISTANCE FROM TOP OF DOOR TO TOP OF OPENING

8'0" DRA2A80 TWO PANEL DOOR

ARCH PLANK & SQUARE TOP

AVAILABLE SIZING

ARTWORK SCALE: 1/2"=1'



NOTE: BY REQUEST, DOOR HEIGHT COMES IN VARYING DIMENSIONS TO A MINIMUM OF 95". EXCESS WILL BE TAKEN FROM BOTTOM RAIL. ALL OTHER DIMENSIONS WILL REMAIN THE SAME.

CUTOUTS & GLASS

HALF ARCH LITE	
	3R5
3'0"	Cutout 26 3/8" x 51 1/4"
	Glass 25 3/8" x 50 1/4"
	3R6
3'6"	Cutout 30 3/8" x 51 1/4"
	Glass 29 3/8" x 50 1/4"
A = 5.0"	

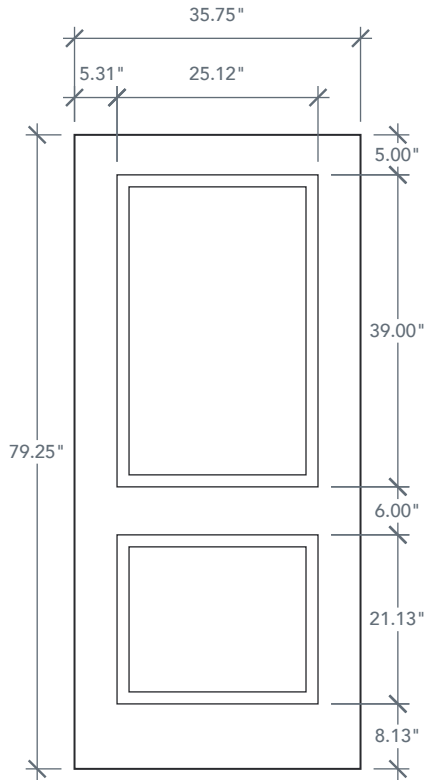
A = DISTANCE FROM TOP OF DOOR TO TOP OF OPENING

6'8" DRA2B TWO PANEL DOOR

SQUARE PANEL & SQUARE TOP

AVAILABLE SIZING

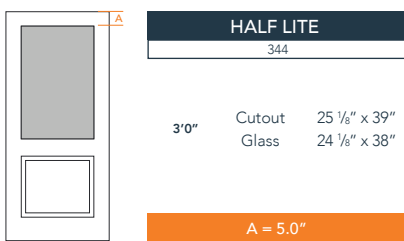
ARTWORK SCALE: 1/2"=1'



3' 0" x 6' 8"

NOTE: BY REQUEST, DOOR HEIGHT COMES IN VARYING DIMENSIONS TO A MINIMUM OF 79". EXCESS WILL BE TAKEN FROM BOTTOM RAIL. ALL OTHER DIMENSIONS WILL REMAIN THE SAME.

CUTOUTS & GLASS



A = DISTANCE FROM TOP OF DOOR TO TOP OF OPENING

MATCHING SIDELITES



SLA2B

Available Widths:

1' 0"

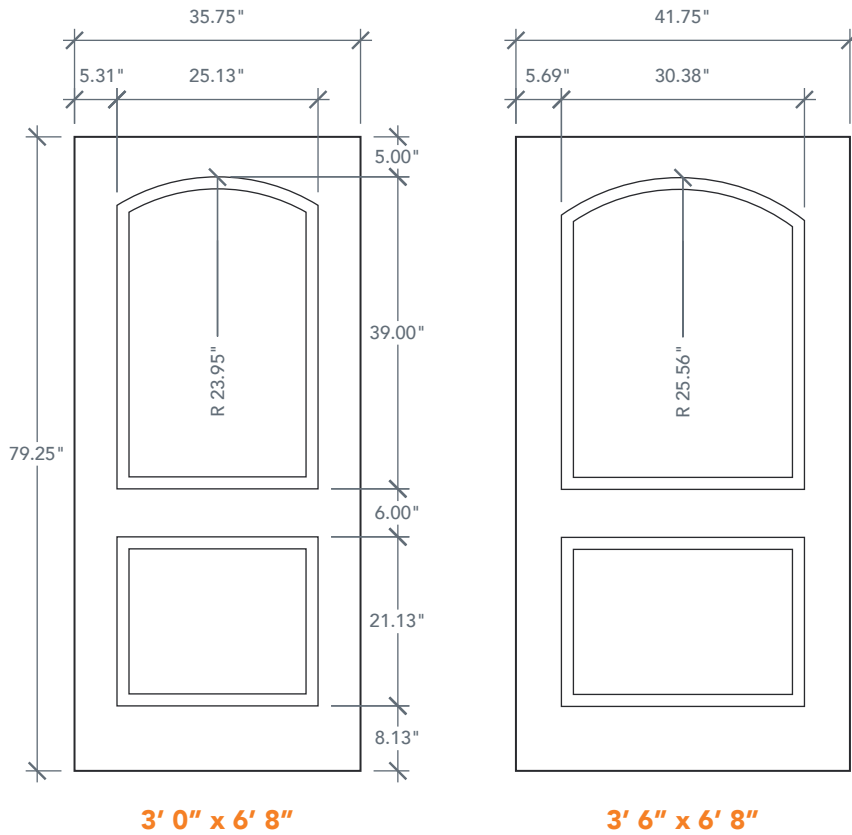
1' 2"

6'8" DRA2D TWO PANEL DOOR

ARCH PANEL & SQUARE TOP

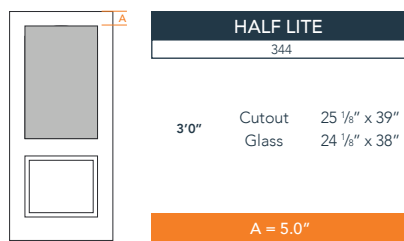
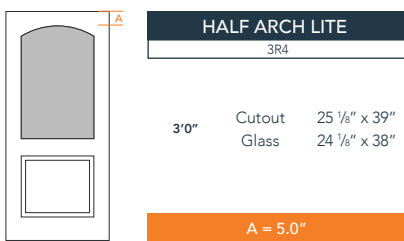
AVAILABLE SIZING

ARTWORK SCALE: 1/2"=1'



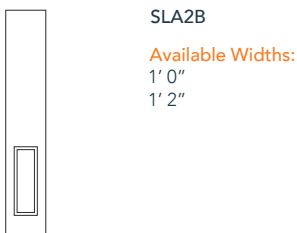
NOTE: BY REQUEST, DOOR HEIGHT COMES IN VARYING DIMENSIONS TO A MINIMUM OF 79". EXCESS WILL BE TAKEN FROM BOTTOM RAIL. ALL OTHER DIMENSIONS WILL REMAIN THE SAME.

CUTOUTS & GLASS



A = DISTANCE FROM TOP OF DOOR TO TOP OF OPENING

MATCHING SIDELITES

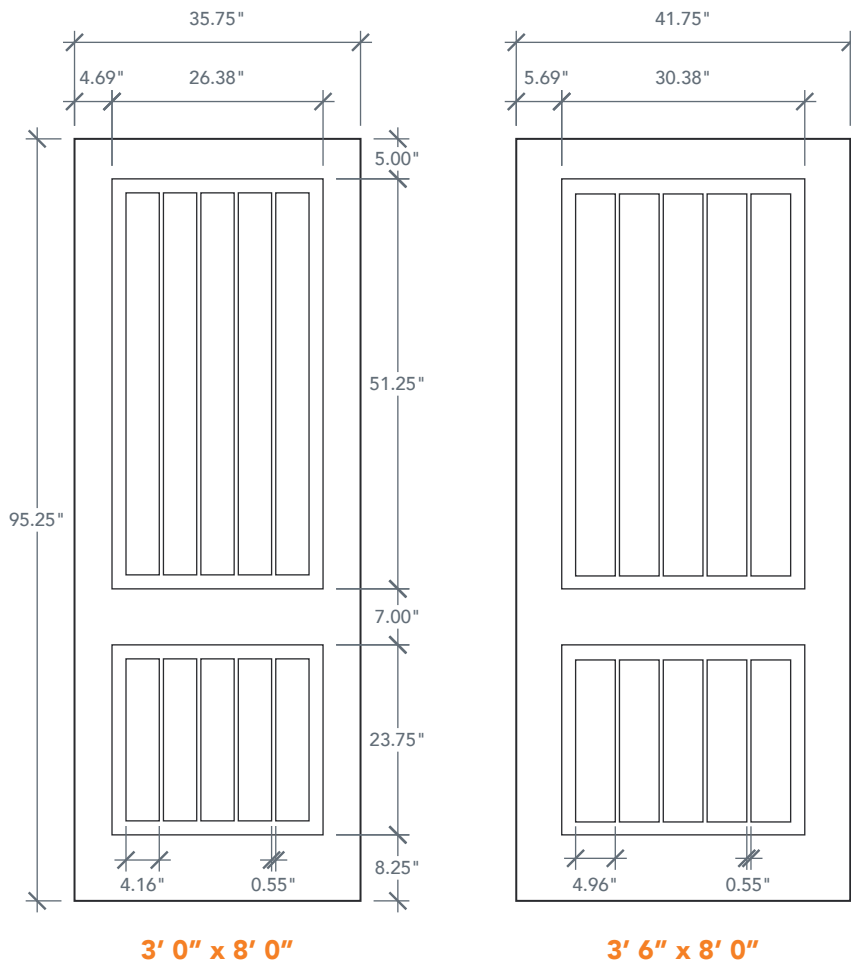


8'0" DRA2P80 TWO PANEL DOOR

SQUARE PLANK & SQUARE TOP

AVAILABLE SIZING

ARTWORK SCALE: 1/2"=1'



NOTE: BY REQUEST, DOOR HEIGHT COMES IN VARYING DIMENSIONS TO A MINIMUM OF 95". EXCESS WILL BE TAKEN FROM BOTTOM RAIL. ALL OTHER DIMENSIONS WILL REMAIN THE SAME.

CUTOUTS & GLASS

HALF LITE	
HL6	
3'0"	Cutout 26 1/2" x 51"
	Glass 25 1/2" x 50"
346	
3'6"	Cutout 30 3/8" x 51 1/4"
	Glass 29 3/8" x 50 1/4"
A = 5.0"	

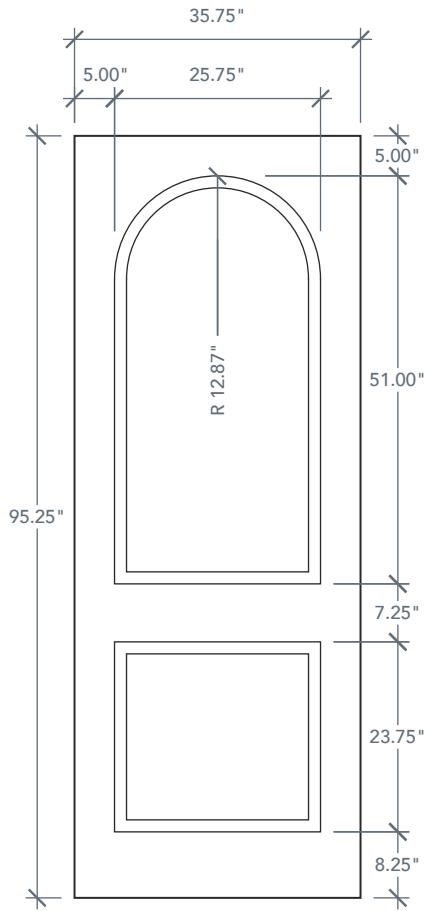
A = DISTANCE FROM TOP OF DOOR TO TOP OF OPENING

8'0" DRA2R80 TWO PANEL DOOR

RADIUS PANEL & SQUARE TOP

AVAILABLE SIZING

ARTWORK SCALE: 1/2"=1'



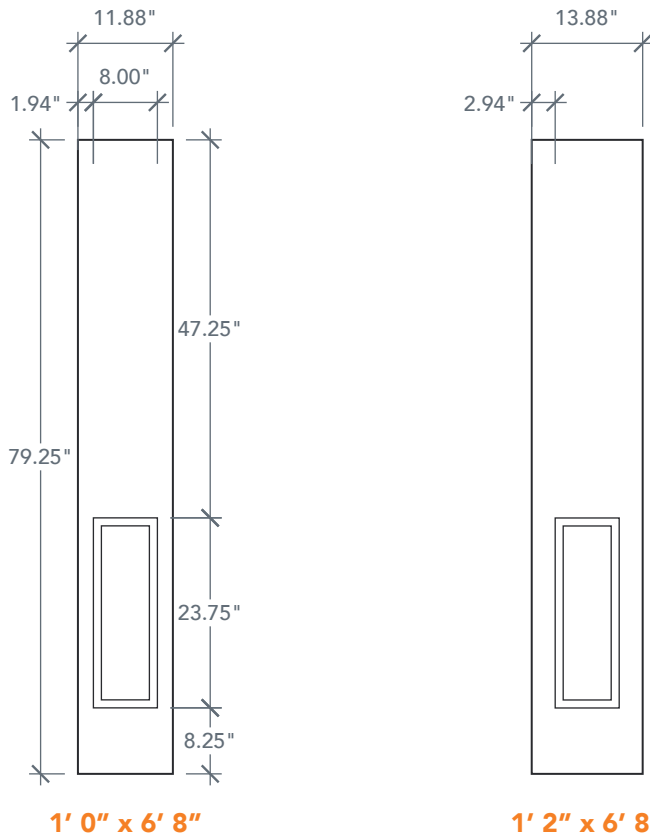
3' 0" x 8' 0"

NOTE: BY REQUEST, DOOR HEIGHT COMES IN VARYING DIMENSIONS TO A MINIMUM OF 95". EXCESS WILL BE TAKEN FROM BOTTOM RAIL. ALL OTHER DIMENSIONS WILL REMAIN THE SAME.

6'8" SLA2B TWO PANEL SIDELITE

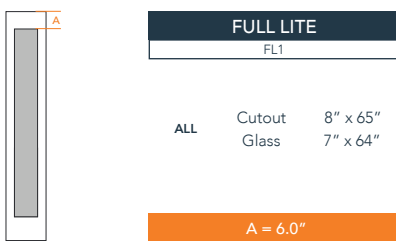
AVAILABLE SIZING

ARTWORK SCALE: 1/2"=1'



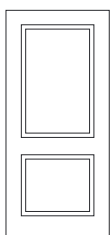
NOTE: BY REQUEST, SIDELITE HEIGHT COMES IN VARYING DIMENSIONS TO A MINIMUM OF 79". EXCESS WILL BE TAKEN FROM BOTTOM RAIL. ALL OTHER DIMENSIONS WILL REMAIN THE SAME.

CUTOUTS & GLASS

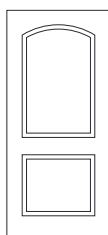


A = DISTANCE FROM TOP OF DOOR TO TOP OF OPENING

MATCHING DOORS



DRA2B
Available Widths:
2' 10"

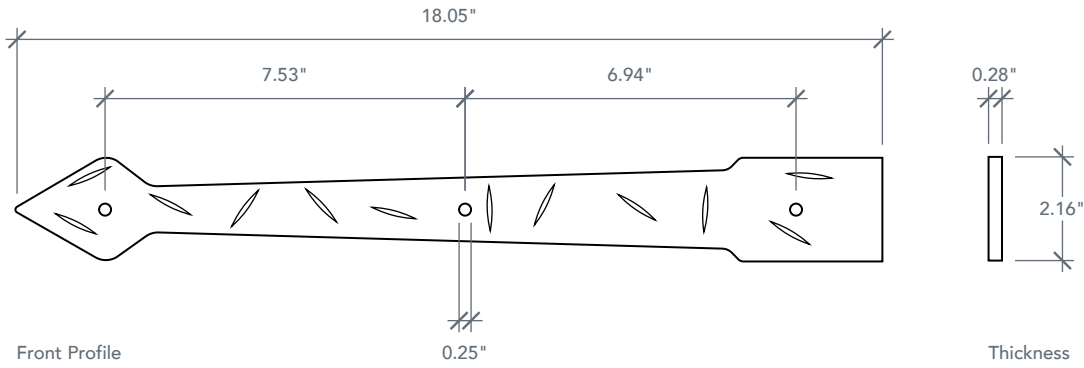


DRA2D
Available Widths:
3' 0"
3' 6"

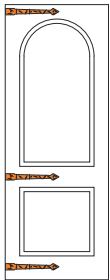
18" ACCHGSTP18 WROUGHT IRON HINGE STRAP

ACCESSORY DIMENSIONS

ARTWORK SCALE: 3"=1'



ACCESSORY INFO



Pieces in Set: 10
18" Hinge Strap (x3)

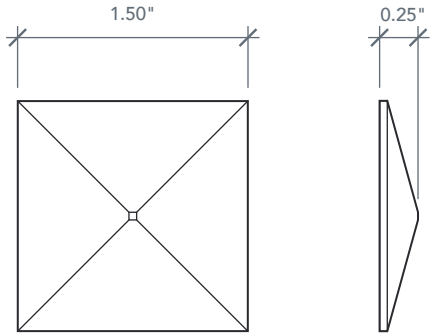
Matching Doors:
Rustic Door Series

DECORATIVE CLAVOS

ACCESSORY DIMENSIONS & INFO

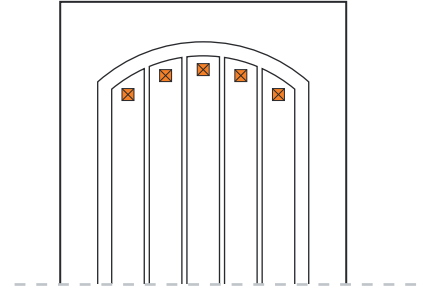
ARTWORK NOT TO SCALE

1.50" ACCLP12Q SQUARE CLAVOS

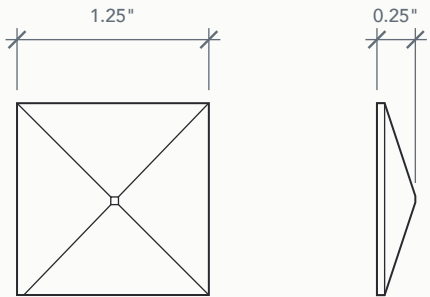


Pieces in Set: 10
1.50" Square Clavos (x10)

Matching Doors:
Rustic Door Series

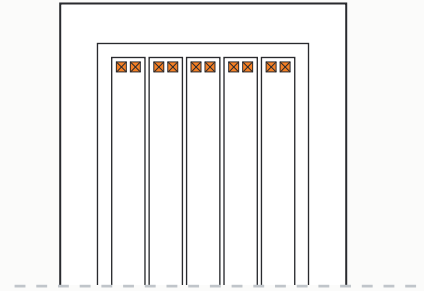


1.25" ACCLP14Q SQUARE CLAVOS

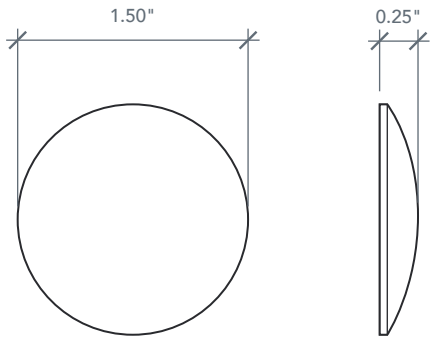


Pieces in Set: 10
1.25" Square Clavos (x10)

Matching Doors:
Rustic Door Series

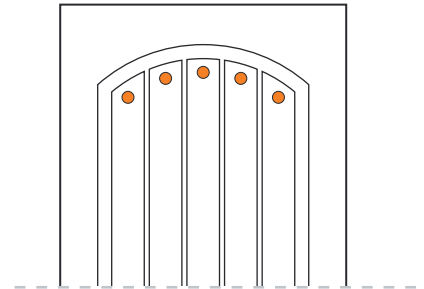


1.50" ACCLP12R ROUND CLAVOS

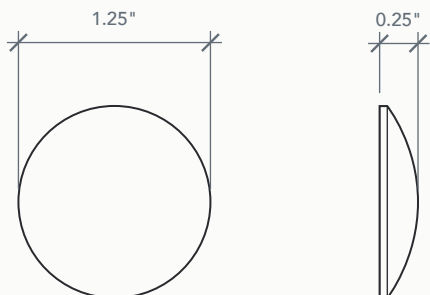


Pieces in Set: 10
1.50" Round Clavos (x10)

Matching Doors:
Rustic Door Series

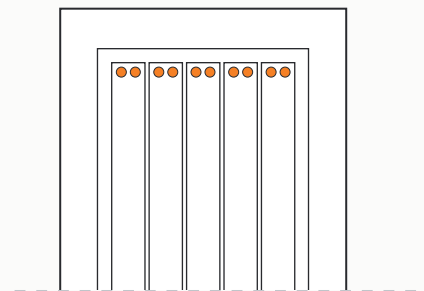


1.25" ACCLP14R ROUND CLAVOS



Pieces in Set: 10
1.25" Round Clavos (x10)

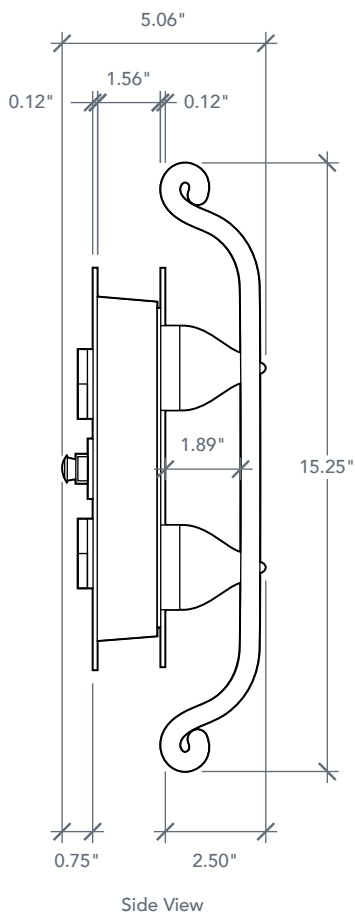
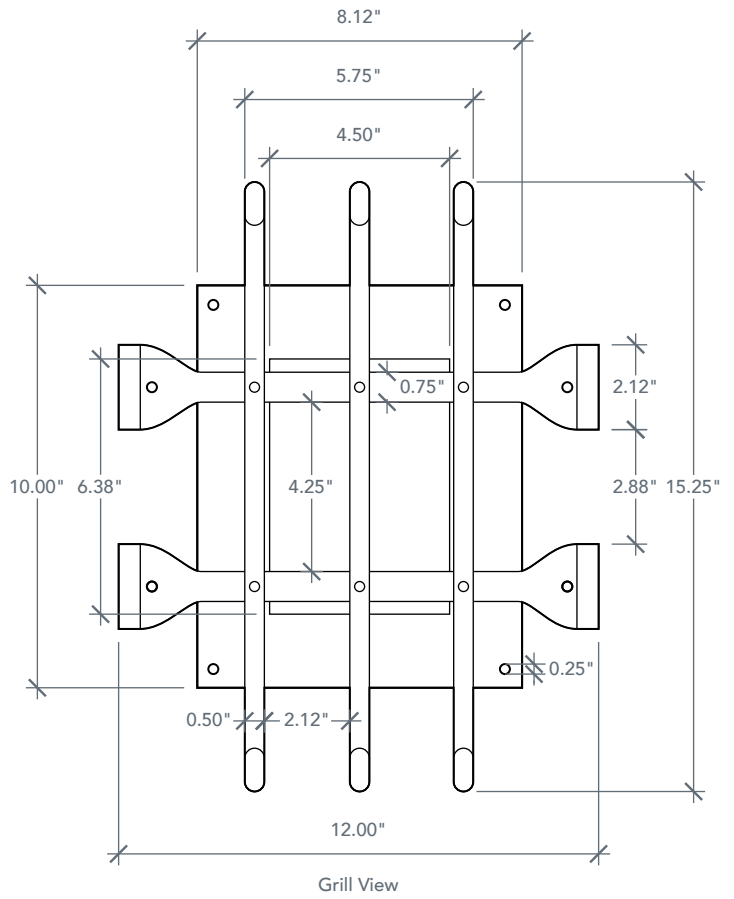
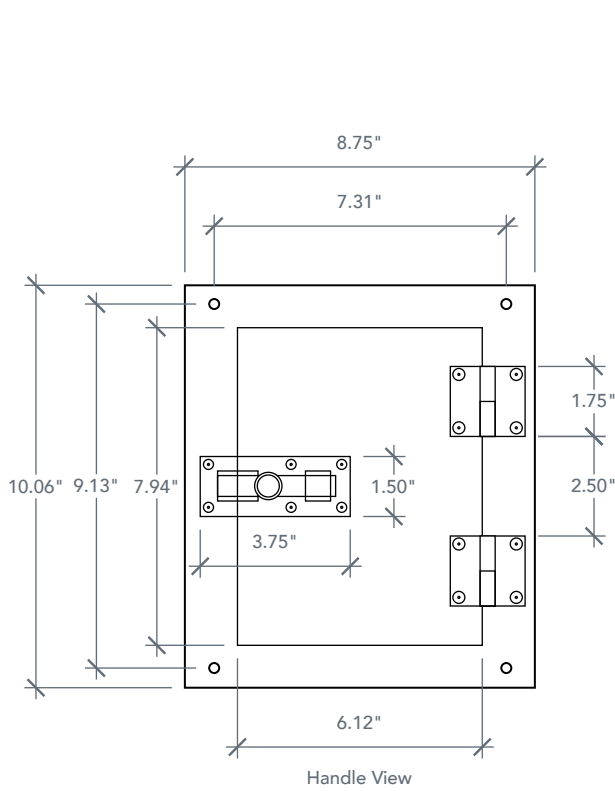
Matching Doors:
Rustic Door Series



ACCSPKY0910KIT WROUGHT IRON SPEAKEASY KIT

ACCESSORY DIMENSIONS

ARTWORK NOT TO SCALE



ACCESSORY INFO

Pieces in Set: 3

Internal Frame - 8 3/4" x 10 1/16"

External Frame - 8 1/8" x 10"

Grill - 12" x 15 1/4"

Glass Type:

Clear

Door Cutout:

7" x 9"

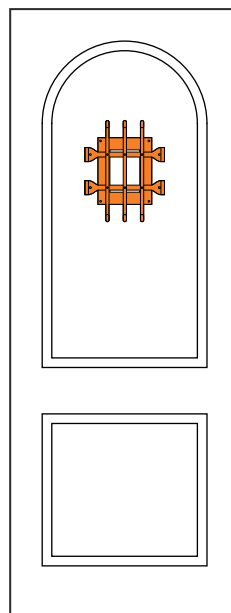
Matching Doors:

DRA2A

DRA2B

DRA2D

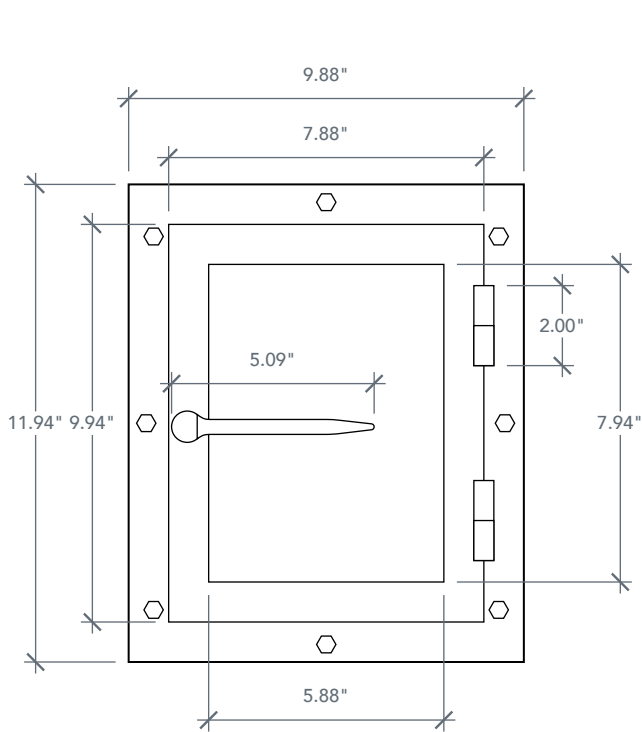
DRA2R80



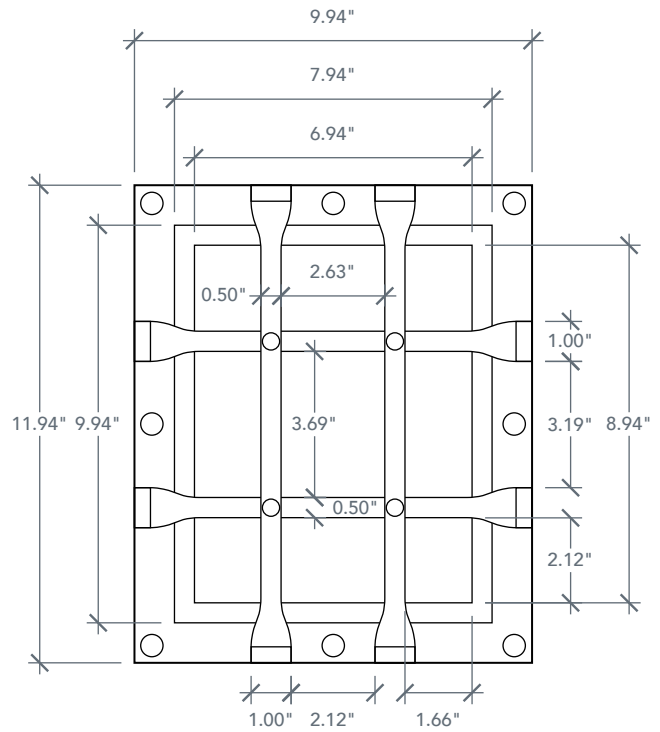
ACCSPKYGSB0KIT WROUGHT IRON SPEAKEASY KIT

ACCESSORY DIMENSIONS

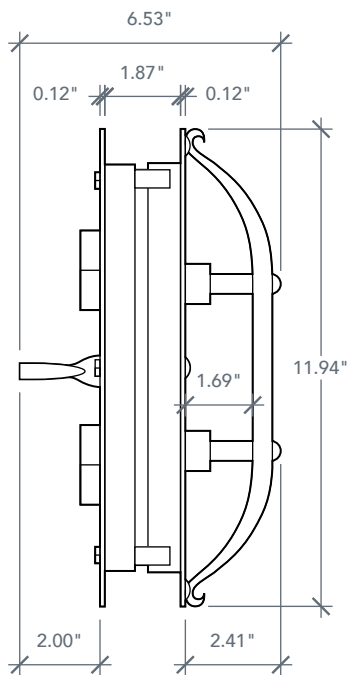
ARTWORK NOT TO SCALE



Handle View



Grill View



Side View

ACCESSORY INFO

Pieces in Set: 2

Internal Frame - $9\frac{7}{8}'' \times 11\frac{15}{16}''$
External Frame - $9\frac{15}{16}'' \times 11\frac{15}{16}''$

Glass Type:

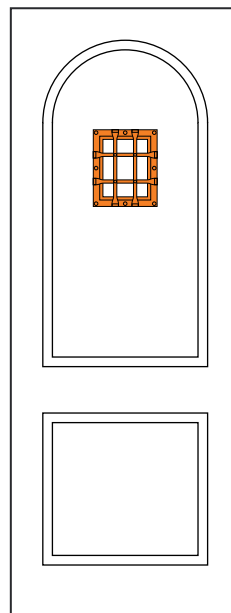
Sea Spray Glass

Door Cutout:

$9\frac{1}{8}'' \times 11\frac{1}{8}''$

Matching Doors:

DRA2A
DRA2B
DRA2D
DRA2R80



SMOOTH SERIES

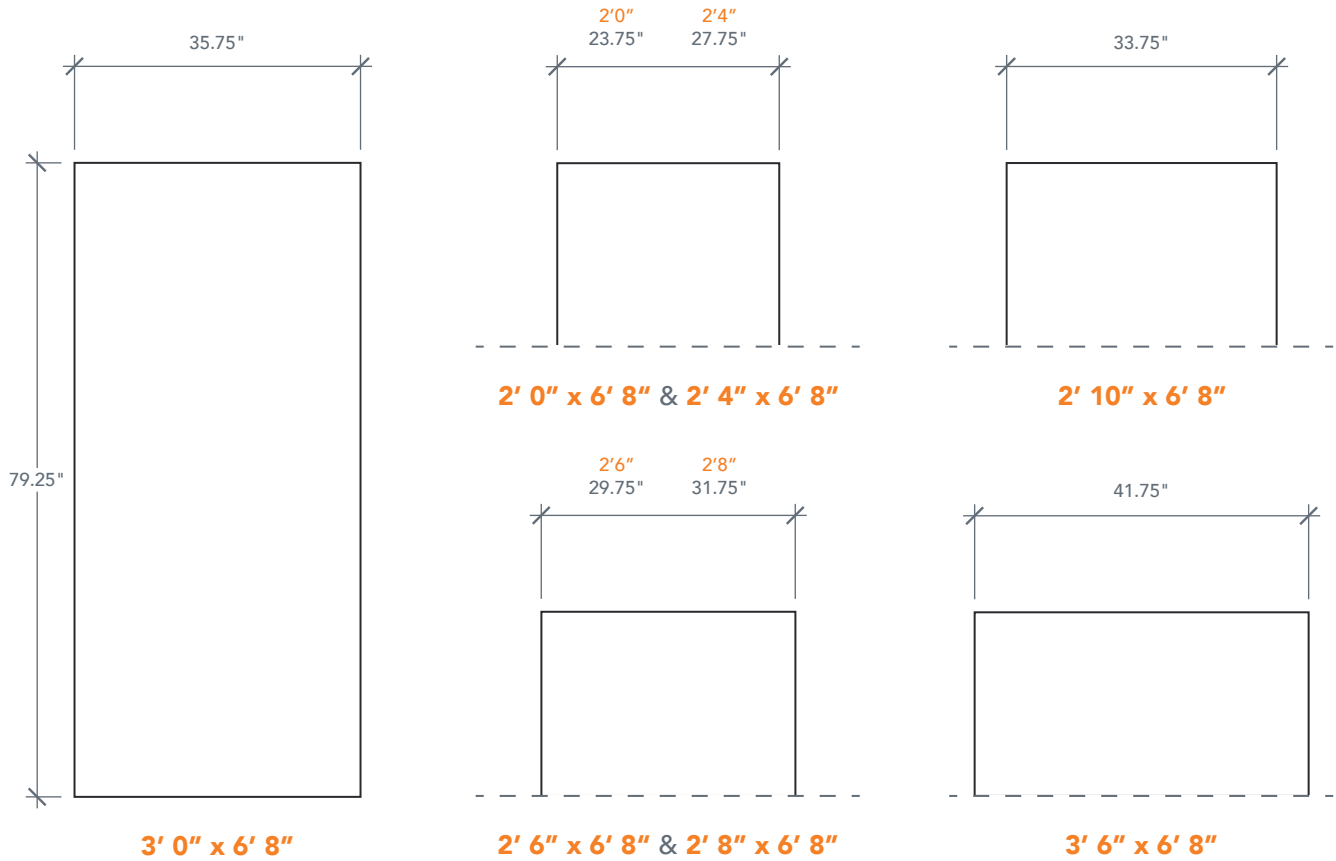
We need some appreciation for our natural beauties out there, and Plastpro is here to give it, specifically with our glorious Smooth Series. These doors are made with a pre-pigmented, white skin; its polished look accentuates a one-of-a-kind simplicity to any entryway. Our smooth skin incorporates a variety of panel designs and glass options which allows you to add spice to your door while still accomplishing a clean minimal look. Additionally, this series can be painted giving you the opportunity to create a door that exemplifies the real you.

PG 96 - 137

6'8" DRS00 FLUSH PANEL DOOR

AVAILABLE SIZING

ARTWORK SCALE: 1/2"=1'



NOTE: BY REQUEST, DOOR HEIGHT COMES IN VARYING DIMENSIONS TO A MINIMUM OF 79". EXCESS WILL BE TAKEN FROM BOTTOM RAIL. ALL OTHER DIMENSIONS WILL REMAIN THE SAME.

CUTOUTS & GLASS

	FULL LITE	
	FL5	
2'6"	Cutout	21" x 65"
	Glass	20" x 64"
FL7		
2'8"	Cutout	23" x 65"
	2'10"	Glass
3'0"		
A = 6.0"		

A = DISTANCE FROM TOP OF DOOR TO TOP OF OPENING

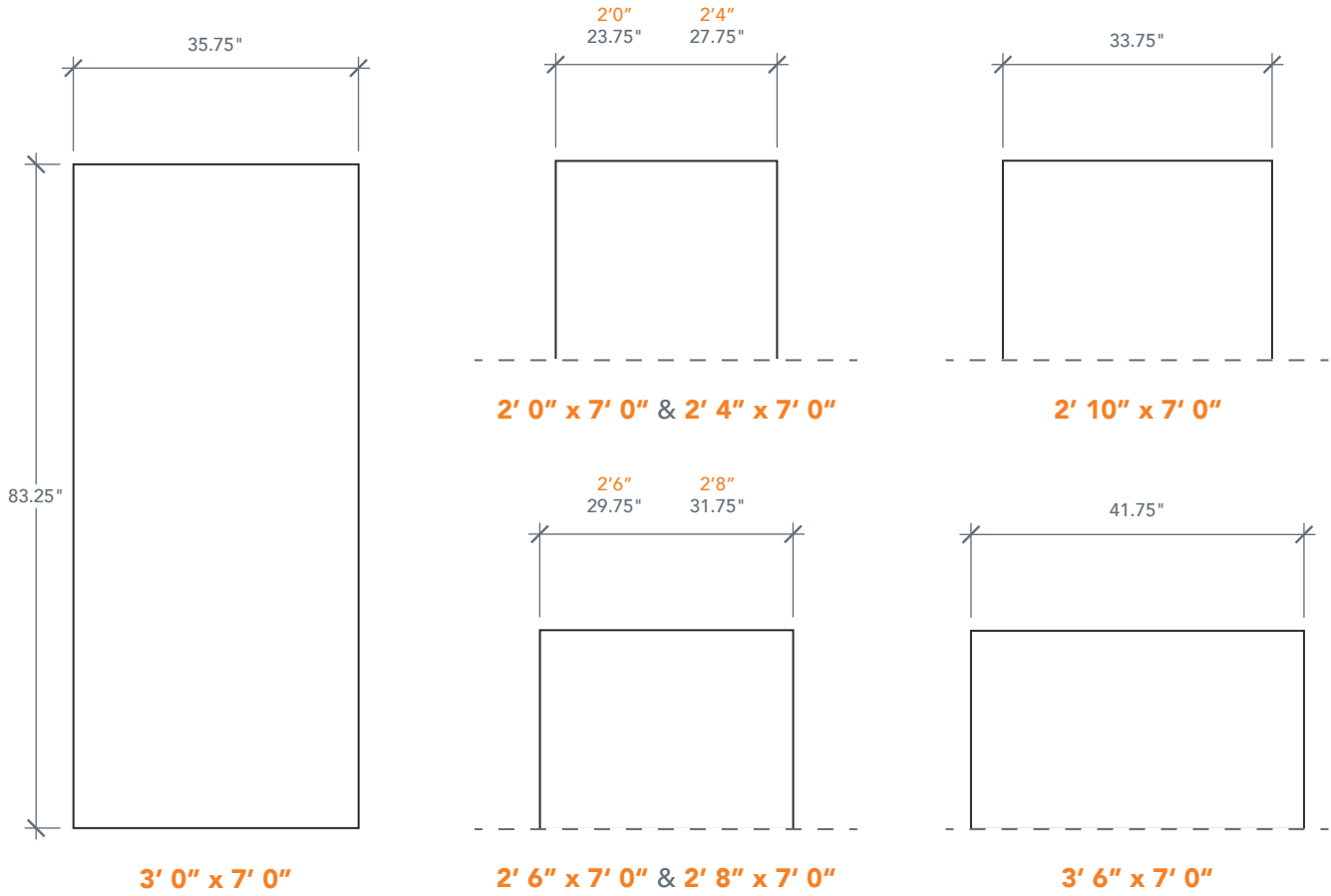
MATCHING SIDELITES

	SLS00
	Available Widths:
	1' 0"
	1' 2"

7'0" DRS0070 FLUSH PANEL DOOR

AVAILABLE SIZING

ARTWORK SCALE: 1/2"=1'



NOTE: BY REQUEST, DOOR HEIGHT COMES IN VARYING DIMENSIONS TO A MINIMUM OF 83". EXCESS WILL BE TAKEN FROM BOTTOM RAIL. ALL OTHER DIMENSIONS WILL REMAIN THE SAME.

CUTOUTS & GLASS

FULL LITE			
FL5			
2'6"	Cutout	21" x 65"	
	Glass	20" x 64"	
FL7			
2'8"	Cutout	23" x 65"	
2'10"	Glass	22" x 64"	
3'0"			
A = 7.5"			

A = DISTANCE FROM TOP OF DOOR TO TOP OF OPENING

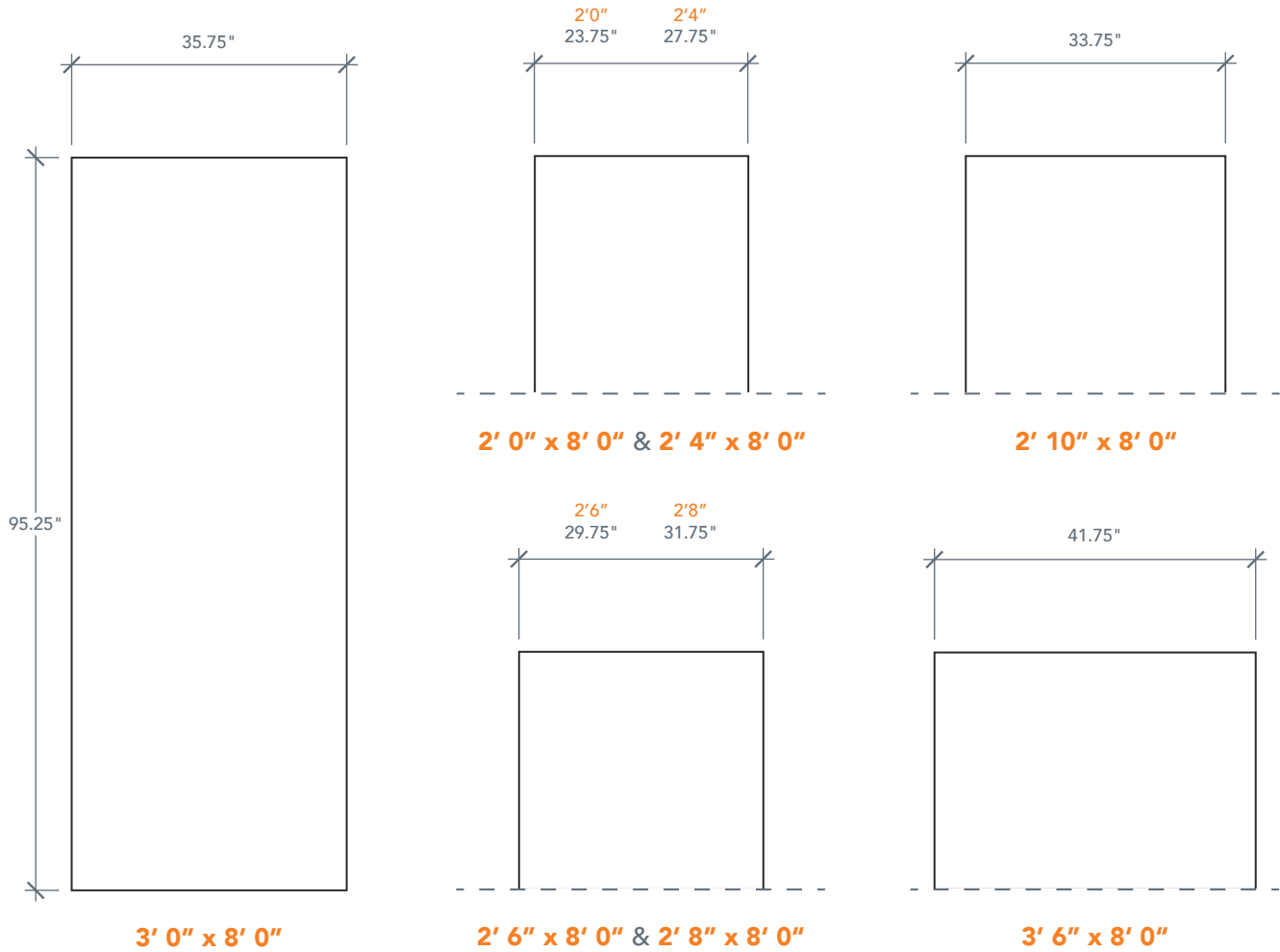
MATCHING SIDELITES

	SLS0070
	Available Widths:
	1' 0"
	1' 2"

8'0" DRS0080 FLUSH PANEL DOOR

AVAILABLE SIZING

ARTWORK SCALE: 1/2"=1'



NOTE: BY REQUEST, DOOR HEIGHT COMES IN VARYING DIMENSIONS TO A MINIMUM OF 95". EXCESS WILL BE TAKEN FROM BOTTOM RAIL. ALL OTHER DIMENSIONS WILL REMAIN THE SAME.

CUTOUTS & GLASS

FULL LITE	
FL6	
2'6"	Cutout 21" x 81" Glass 20" x 80"
FL8	
2'8"	Cutout 23" x 81"
2'10"	Glass 22" x 80"
3'0"	
A = 6.0"	

A = DISTANCE FROM TOP OF DOOR TO TOP OF OPENING

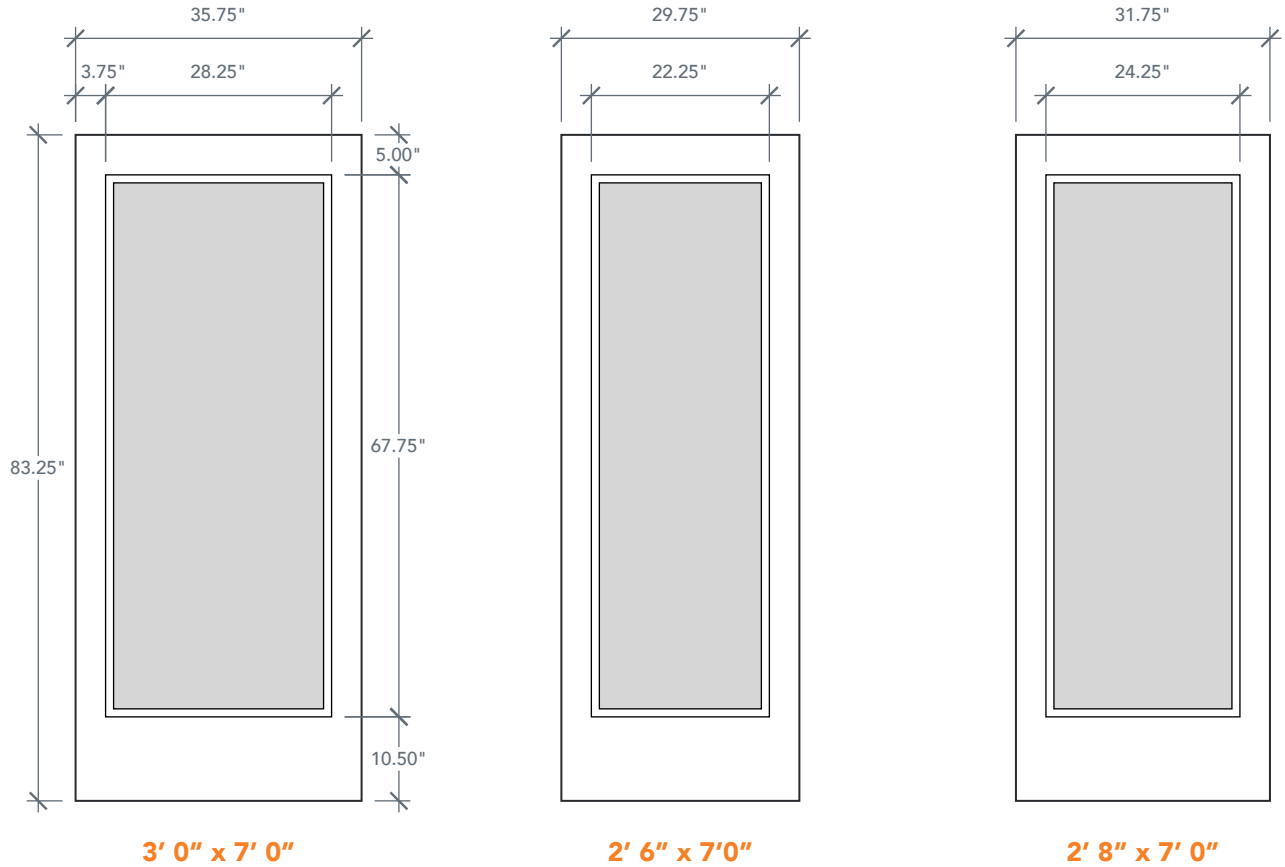
MATCHING SIDELITES

	SLS0080
	Available Widths:
	1' 0" 1' 2"

7'0" DRS1070 FLUSH GLAZED FULL LITE DOOR

AVAILABLE SIZING

ARTWORK SCALE: 1/2"=1'



3' 0" x 7' 0"

2' 6" x 7' 0"

2' 8" x 7' 0"

NOTE: BY REQUEST, DOOR HEIGHT COMES IN VARYING DIMENSIONS TO A MINIMUM OF 89". EXCESS WILL BE TAKEN FROM BOTTOM RAIL. ALL OTHER DIMENSIONS WILL REMAIN THE SAME.

GLASS & DAYLIGHT OPENING

FULL LITE	
2'6"	Glass 23 5/8" x 67"
	Daylight 22 5/8" x 66"
2'8"	Glass 25 5/8" x 67"
	Daylight 24 5/8" x 66"
3'0"	Glass 27 5/8" x 67"
	Daylight 26 5/8" x 66"
A = 5.00"	

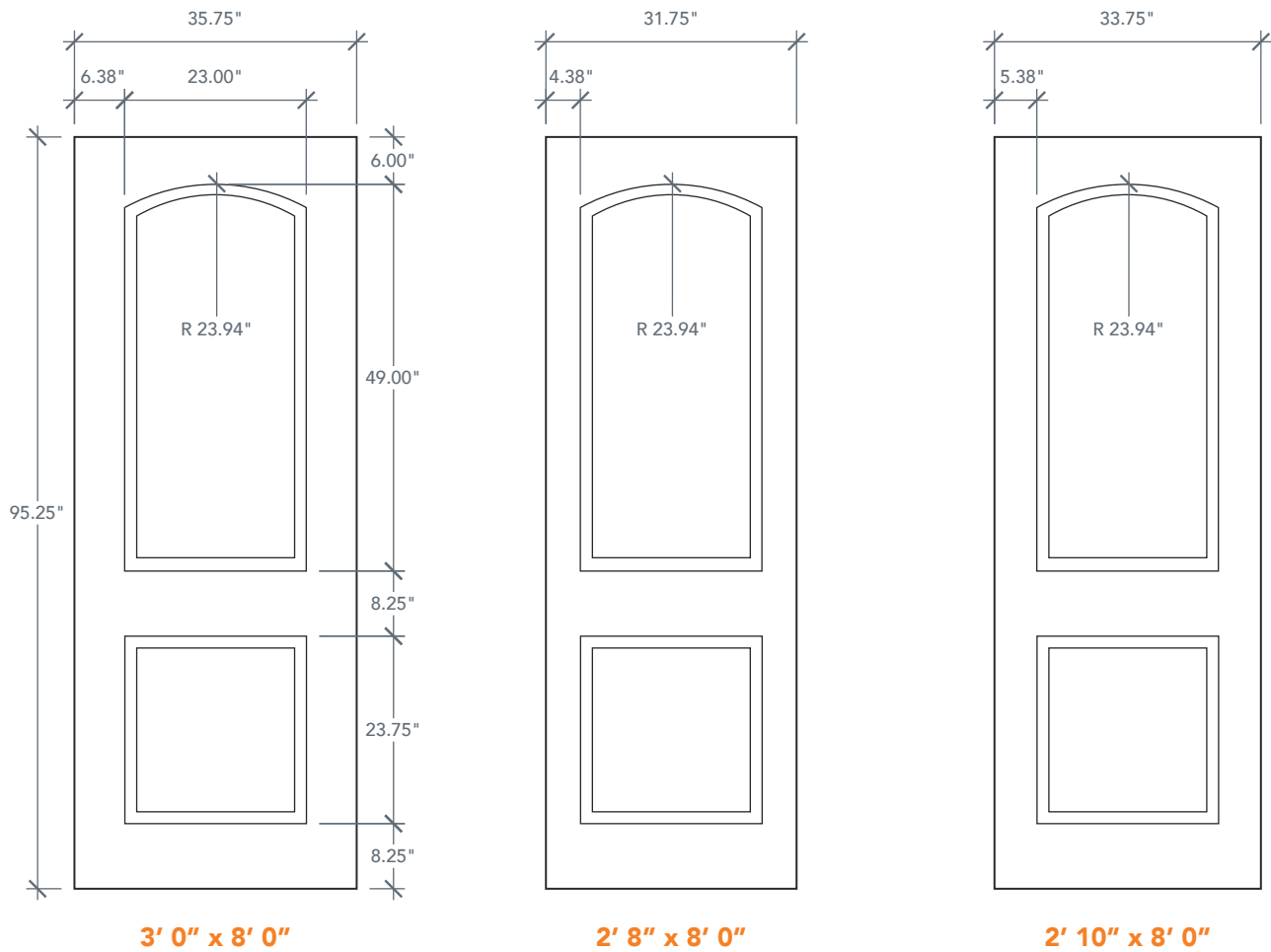
A = DISTANCE FROM TOP OF DOOR TO TOP OF OPENING

8'0" DRS2D80 TWO PANEL DOOR

ARCH PANEL & SQUARE TOP

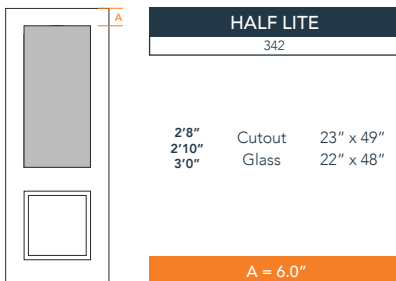
AVAILABLE SIZING

ARTWORK SCALE: 1/2"=1'



NOTE: BY REQUEST, DOOR HEIGHT COMES IN VARYING DIMENSIONS TO A MINIMUM OF 95". EXCESS WILL BE TAKEN FROM BOTTOM RAIL. ALL OTHER DIMENSIONS WILL REMAIN THE SAME.

CUTOUTS & GLASS



A = DISTANCE FROM TOP OF DOOR TO TOP OF OPENING

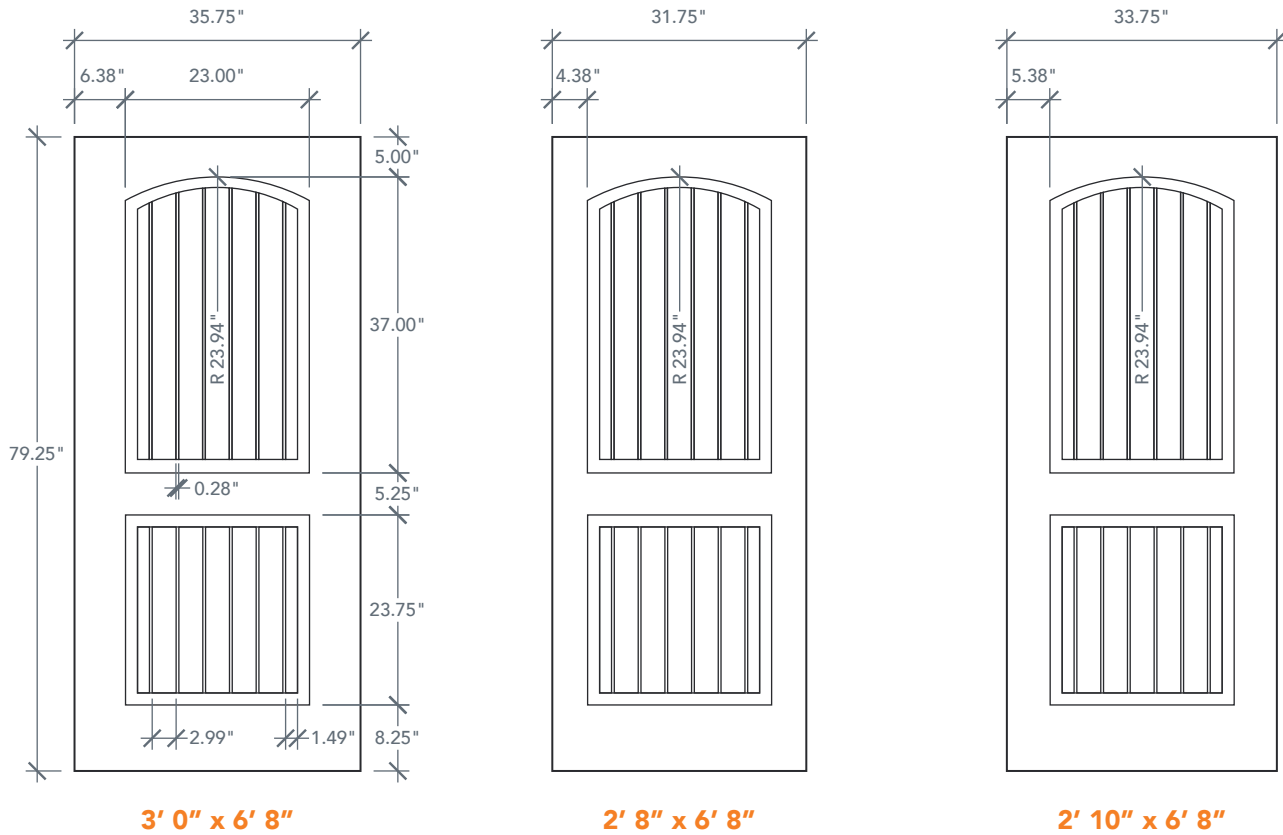
MATCHING SIDELITES



6'8" DRS2G COTTAGE TWO PANEL DOOR

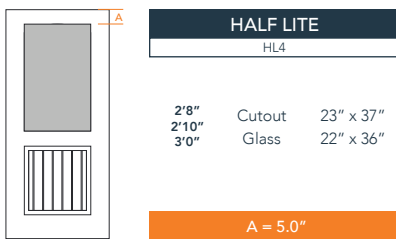
AVAILABLE SIZING

ARTWORK SCALE: 1/2"=1'



NOTE: BY REQUEST, DOOR HEIGHT COMES IN VARYING DIMENSIONS TO A MINIMUM OF 79". EXCESS WILL BE TAKEN FROM BOTTOM RAIL. ALL OTHER DIMENSIONS WILL REMAIN THE SAME.

CUTOUTS & GLASS



A = DISTANCE FROM TOP OF DOOR TO TOP OF OPENING

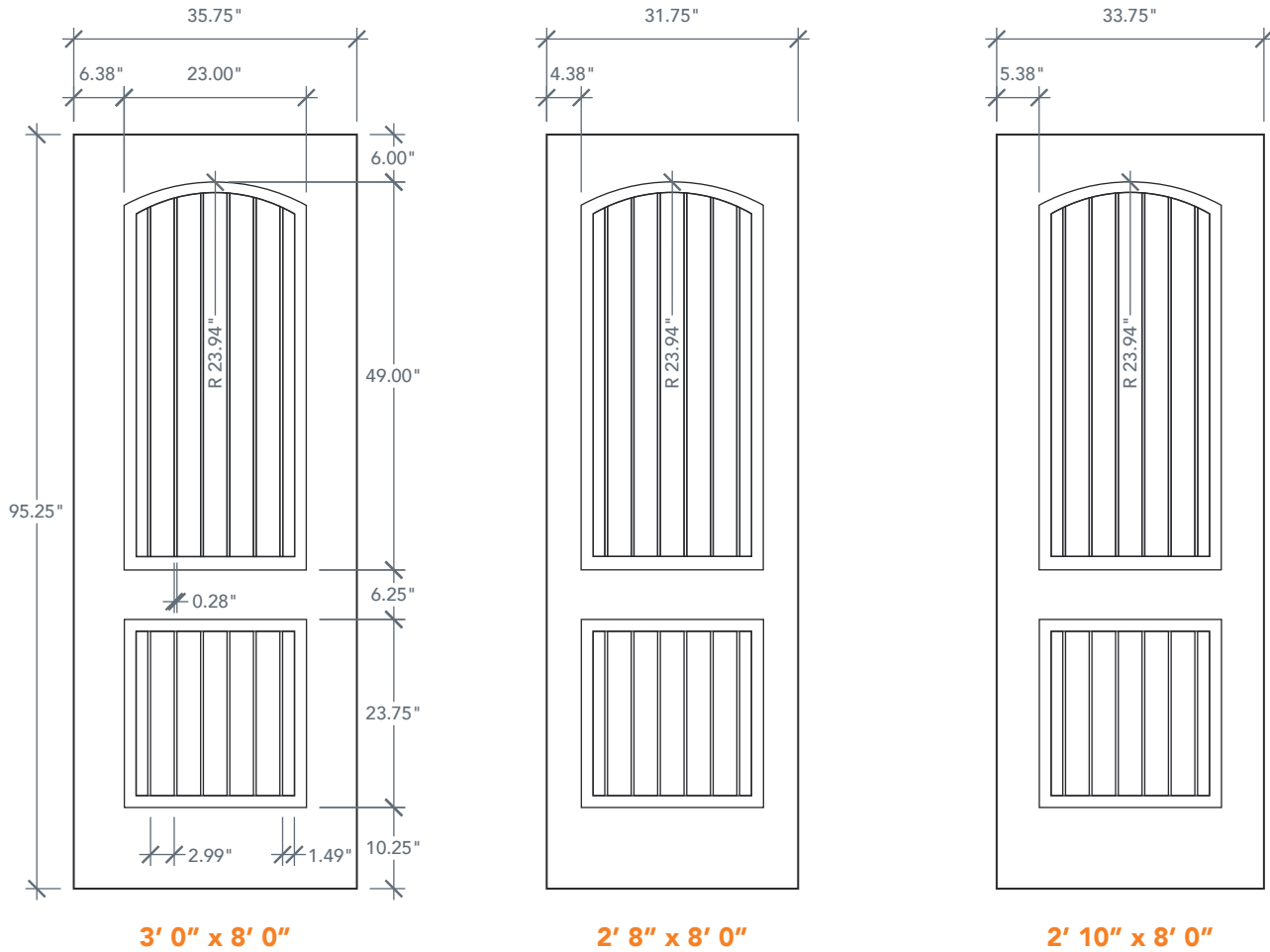
MATCHING SIDELITES



8'0" DRS2G80 COTTAGE TWO PANEL DOOR

AVAILABLE SIZING

ARTWORK SCALE: 1/2"=1'



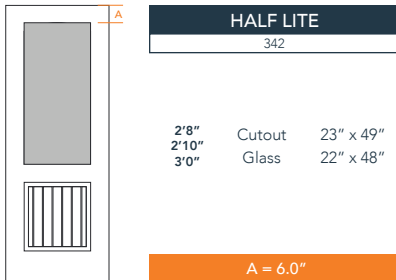
3' 0" x 8' 0"

2' 8" x 8' 0"

2' 10" x 8' 0"

NOTE: BY REQUEST, DOOR HEIGHT COMES IN VARYING DIMENSIONS TO A MINIMUM OF 95". EXCESS WILL BE TAKEN FROM BOTTOM RAIL. ALL OTHER DIMENSIONS WILL REMAIN THE SAME.

CUTOUTS & GLASS

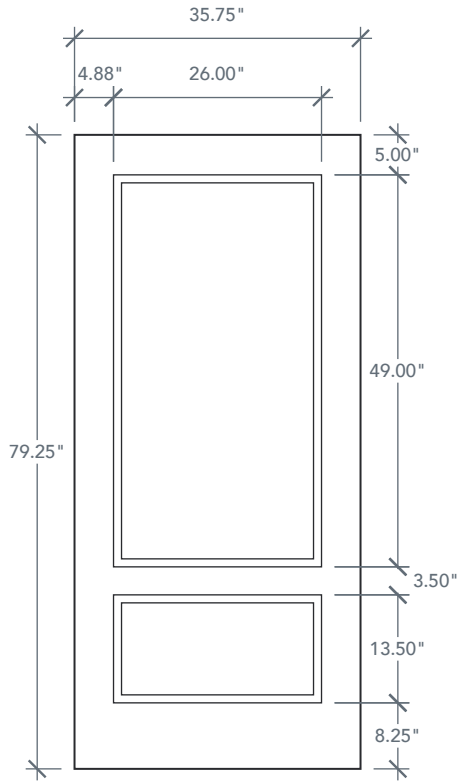


A = DISTANCE FROM TOP OF DOOR TO TOP OF OPENING

6'8" DRS20 3/4 HERITAGE DOOR

AVAILABLE SIZING

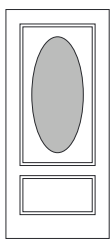
ARTWORK SCALE: 1/2"=1'



3' 0" x 6' 8"

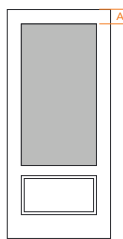
NOTE: BY REQUEST, DOOR HEIGHT COMES IN VARYING DIMENSIONS TO A MINIMUM OF 79". EXCESS WILL BE TAKEN FROM BOTTOM RAIL. ALL OTHER DIMENSIONS WILL REMAIN THE SAME.

CUTOUTS & GLASS



3/4 OVAL LITE
3V2

3'0" Cutout 17.84" x 40.12"
Glass 16.78" x 38.72"



3/4 LITE
343

3'0" Cutout 26" x 49"
Glass 25" x 48"

A = 5.0"

OVAL IS CENTERED IN PANEL HEIGHT

A = DISTANCE FROM TOP OF DOOR TO TOP OF OPENING

MATCHING SIDELITES



SLS3E

Available Widths:

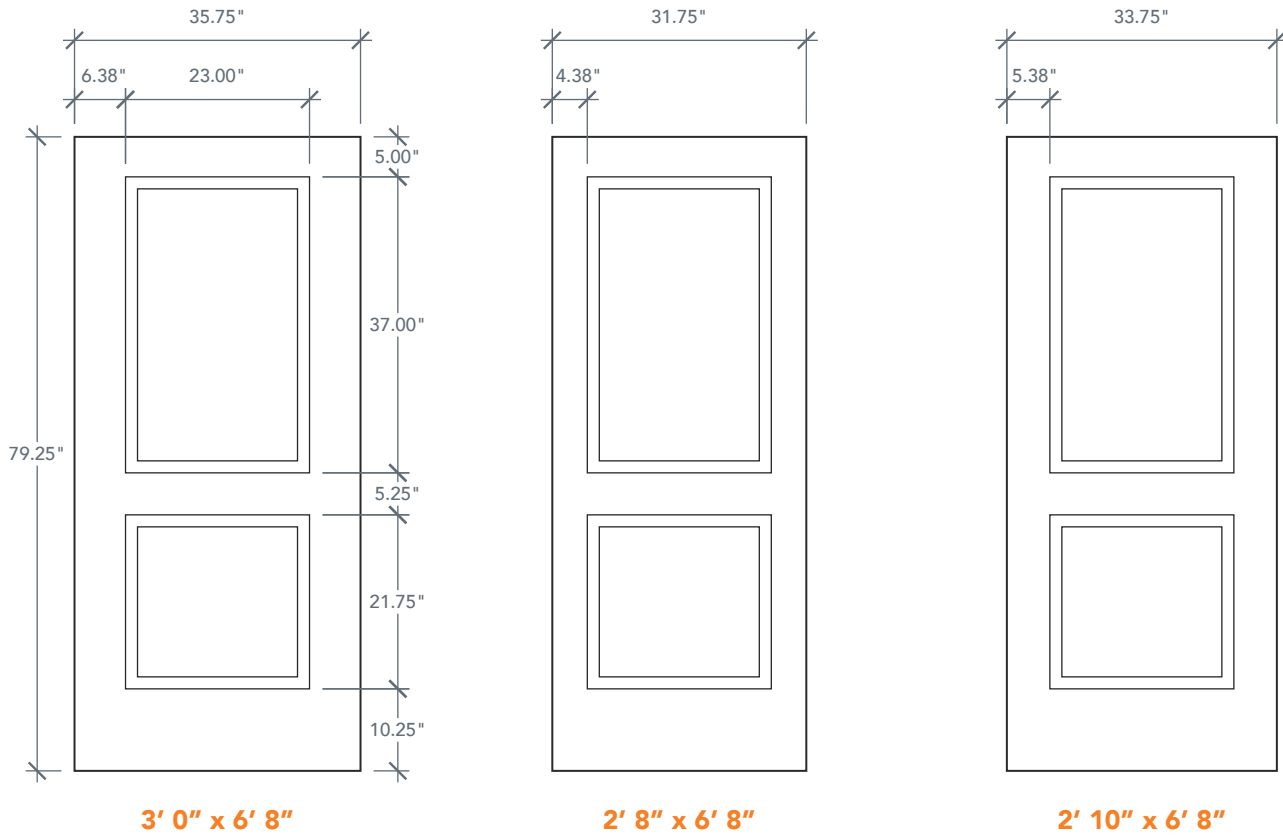
1' 0"
1' 2"

6'8" DRS22 TWO PANEL DOOR

10" BOTTOM RAIL

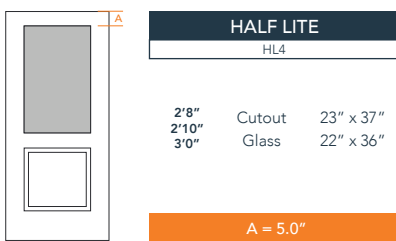
AVAILABLE SIZING

ARTWORK SCALE: 1/2"=1'



NOTE: BY REQUEST, DOOR HEIGHT COMES IN VARYING DIMENSIONS TO A MINIMUM OF 79". EXCESS WILL BE TAKEN FROM BOTTOM RAIL. ALL OTHER DIMENSIONS WILL REMAIN THE SAME.

CUTOUTS & GLASS



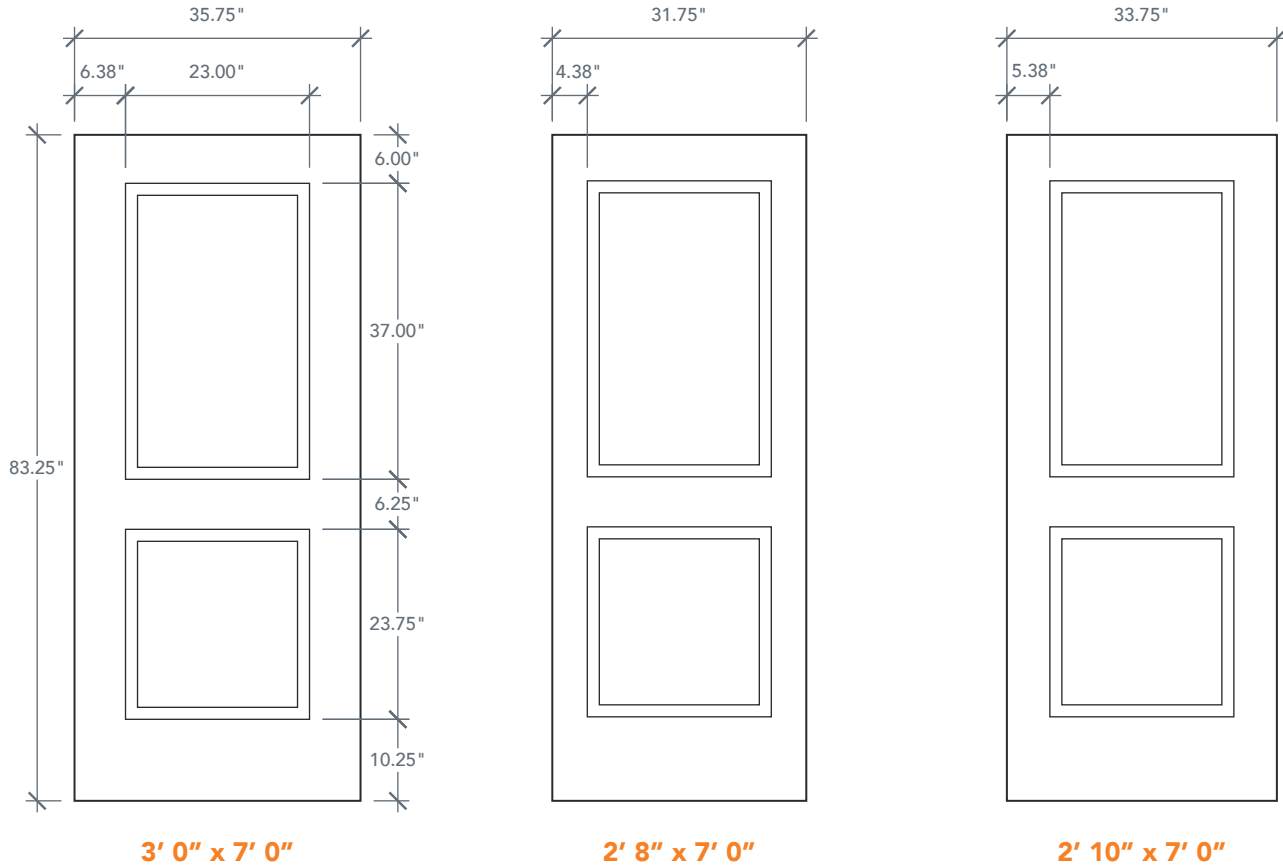
A = DISTANCE FROM TOP OF DOOR TO TOP OF OPENING

7'0" DRS2270 TWO PANEL DOOR

10" BOTTOM RAIL

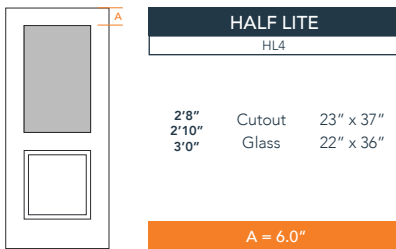
AVAILABLE SIZING

ARTWORK SCALE: 1/2"=1'



NOTE: BY REQUEST, DOOR HEIGHT COMES IN VARYING DIMENSIONS TO A MINIMUM OF 83". EXCESS WILL BE TAKEN FROM BOTTOM RAIL. ALL OTHER DIMENSIONS WILL REMAIN THE SAME.

CUTOUTS & GLASS

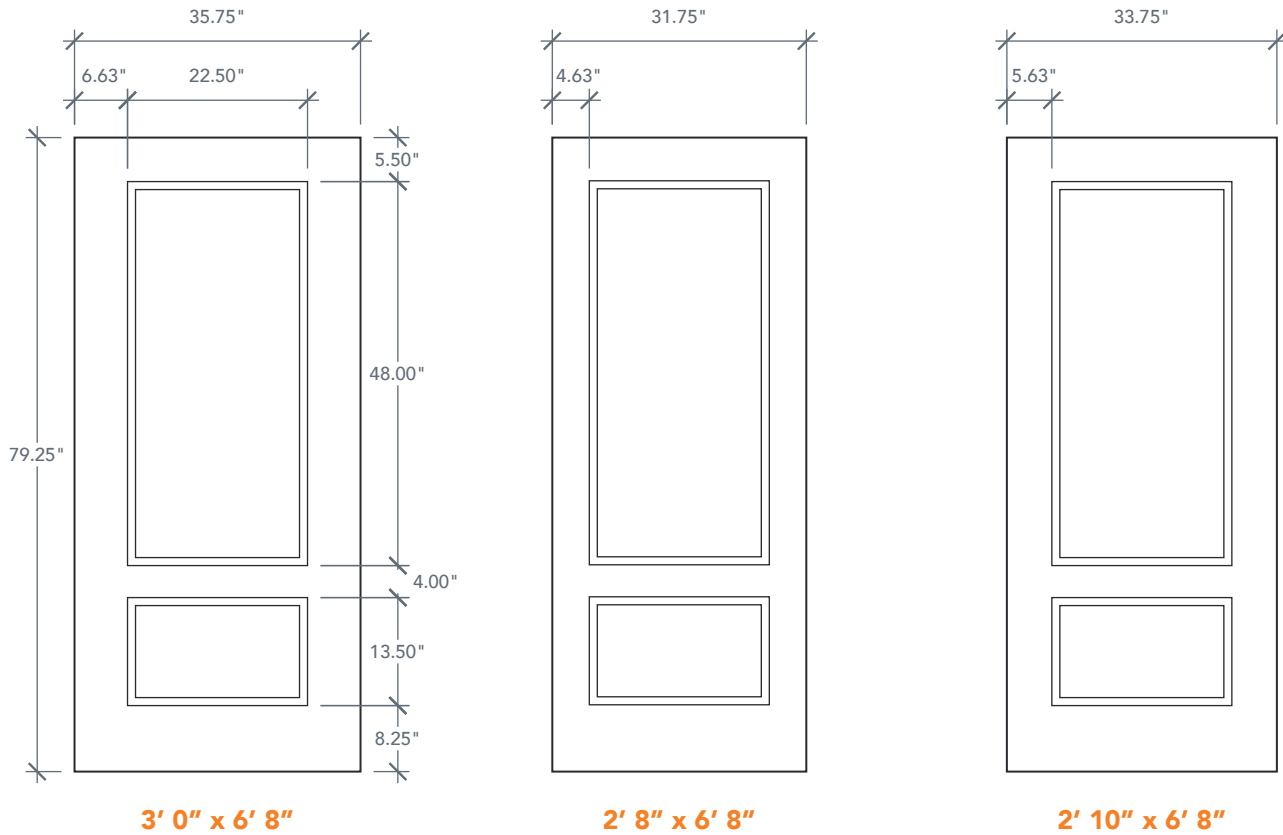


A = DISTANCE FROM TOP OF DOOR TO TOP OF OPENING

6'8" DRS29 3/4 TWO PANEL DOOR

AVAILABLE SIZING

ARTWORK SCALE: 1/2"=1'



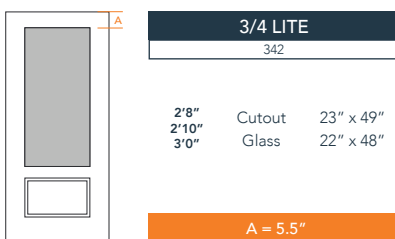
3' 0" x 6' 8"

2' 8" x 6' 8"

2' 10" x 6' 8"

NOTE: BY REQUEST, DOOR HEIGHT COMES IN VARYING DIMENSIONS TO A MINIMUM OF 79". EXCESS WILL BE TAKEN FROM BOTTOM RAIL. ALL OTHER DIMENSIONS WILL REMAIN THE SAME.

CUTOUTS & GLASS

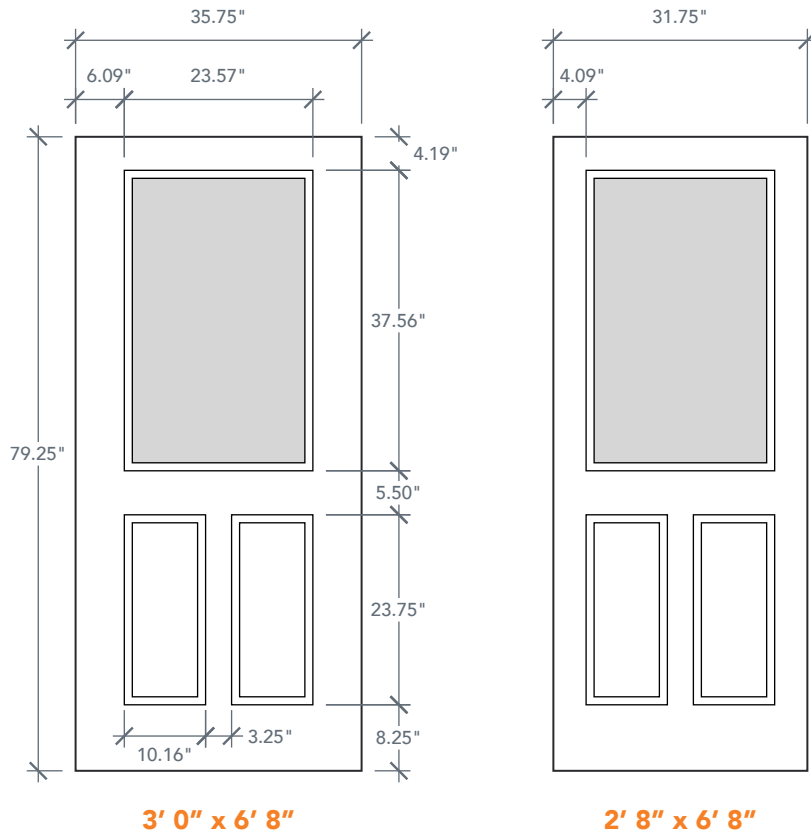


A = DISTANCE FROM TOP OF DOOR TO TOP OF OPENING

6'8" DRS12 FLUSH GLAZED HALF LITE DOOR

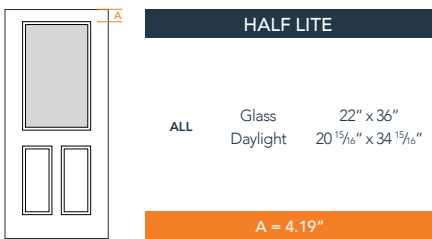
AVAILABLE SIZING

ARTWORK SCALE: 1/2"=1'



NOTE: BY REQUEST, DOOR HEIGHT COMES IN VARYING DIMENSIONS TO A MINIMUM OF 79". EXCESS WILL BE TAKEN FROM BOTTOM RAIL. ALL OTHER DIMENSIONS WILL REMAIN THE SAME.

GLASS & DAYLIGHT OPENING



A = DISTANCE FROM TOP OF DOOR TO TOP OF OPENING

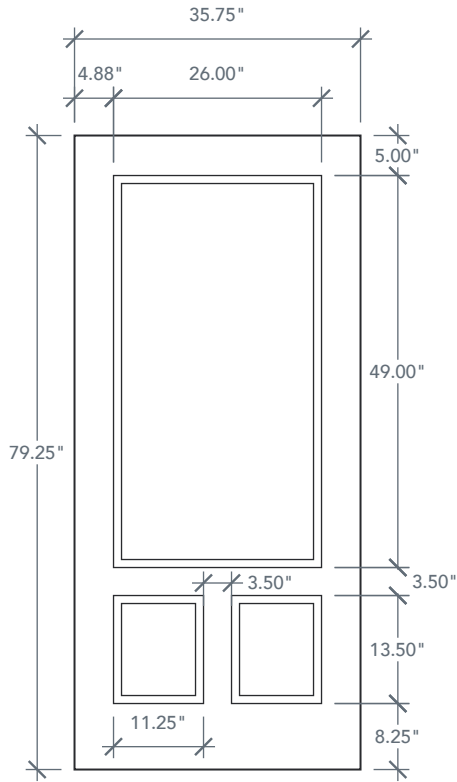
MATCHING SIDELITES



6'8" DRS3E 3/4 ELITE DOOR

AVAILABLE SIZING

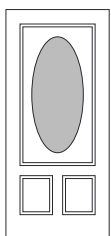
ARTWORK SCALE: 1/2"=1'



3' 0" x 6' 8"

NOTE: BY REQUEST, DOOR HEIGHT COMES IN VARYING DIMENSIONS TO A MINIMUM OF 79". EXCESS WILL BE TAKEN FROM BOTTOM RAIL. ALL OTHER DIMENSIONS WILL REMAIN THE SAME.

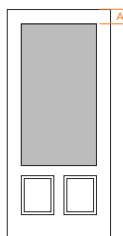
CUTOUTS & GLASS



3/4 OVAL LITE
3V2

3'0" Cutout 17.84" x 40.12"
Glass 16.78" x 38.72"

OVAL IS CENTERED IN PANEL HEIGHT



3/4 LITE
343

3'0" Cutout 26" x 49"
Glass 25" x 48"

A = 5.0"

A = DISTANCE FROM TOP OF DOOR TO TOP OF OPENING

MATCHING SIDELITES



SLS3E

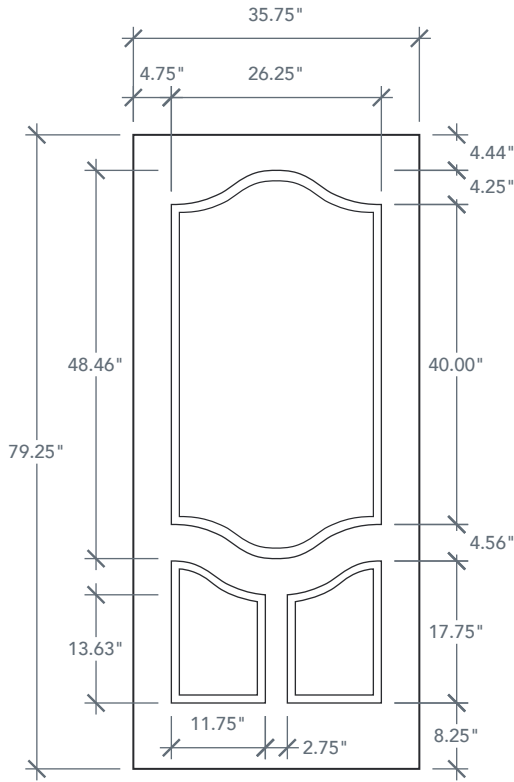
Available Widths:

1' 0"
1' 2"

6'8" DRS3P 3/4 PREMIUM DOOR

AVAILABLE SIZING

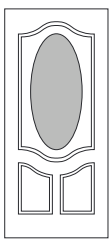
ARTWORK SCALE: 1/2"=1'



3' 0" x 6' 8"

NOTE: BY REQUEST, DOOR HEIGHT COMES IN VARYING DIMENSIONS TO A MINIMUM OF 79". EXCESS WILL BE TAKEN FROM BOTTOM RAIL. ALL OTHER DIMENSIONS WILL REMAIN THE SAME.

CUTOUTS & GLASS

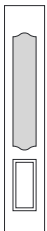


3/4 OVAL LITE
3V2

3'0" Cutout 17.84" x 40.12"
Glass 16.78" x 38.72"

OVAL IS CENTERED IN PANEL HEIGHT

MATCHING SIDELITES

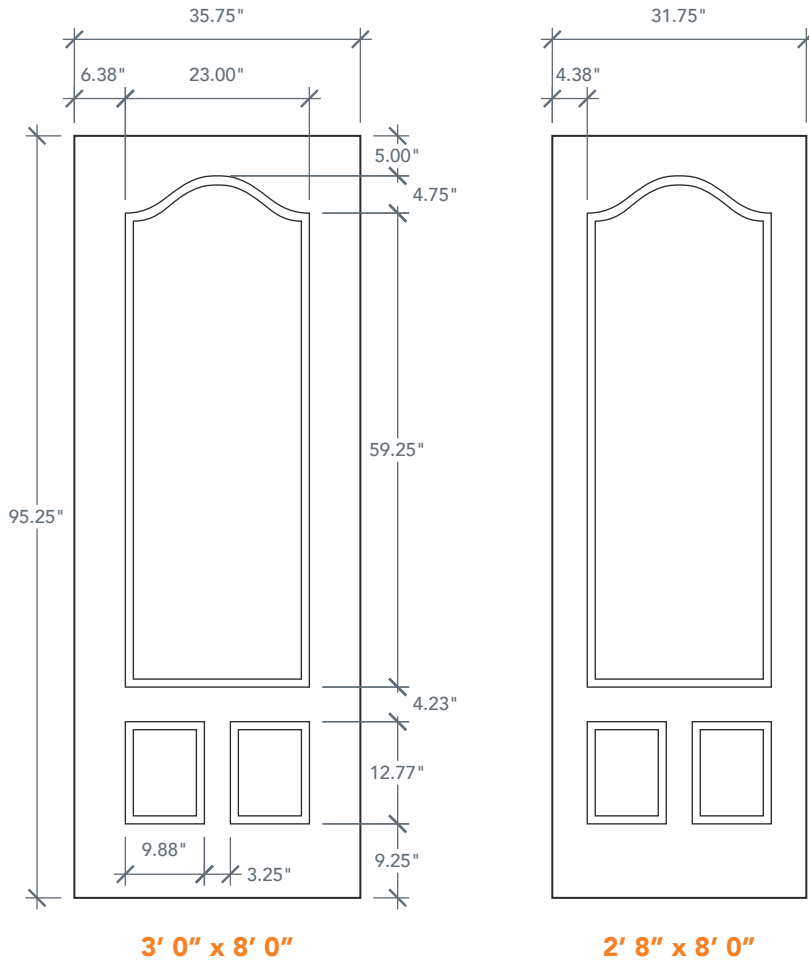


SLS3P
Available Widths:
1' 0"
1' 2"

8'0" DRS3080 3/4 THREE PANEL DOOR

AVAILABLE SIZING

ARTWORK SCALE: 1/2"=1'

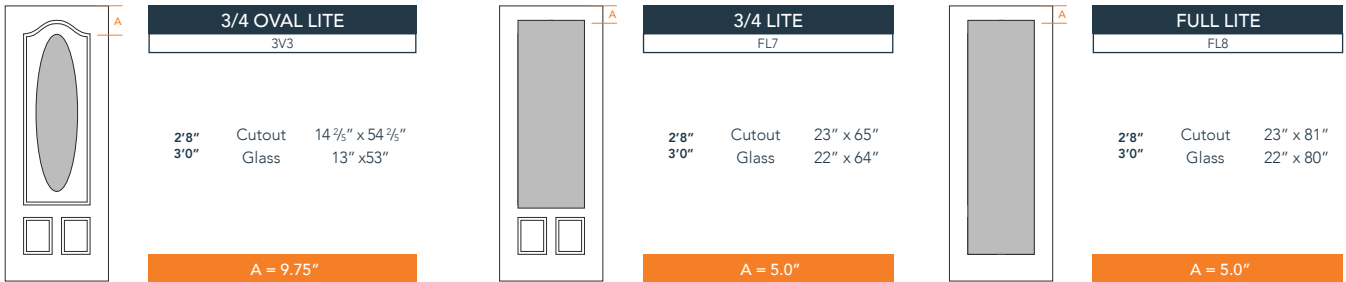


3' 0" x 8' 0"

2' 8" x 8' 0"

NOTE: BY REQUEST, DOOR HEIGHT COMES IN VARYING DIMENSIONS TO A MINIMUM OF 95". EXCESS WILL BE TAKEN FROM BOTTOM RAIL. ALL OTHER DIMENSIONS WILL REMAIN THE SAME.

CUTOUTS & GLASS



A = DISTANCE FROM TOP OF DOOR TO TOP OF OPENING

MATCHING SIDELITES



SLS3080

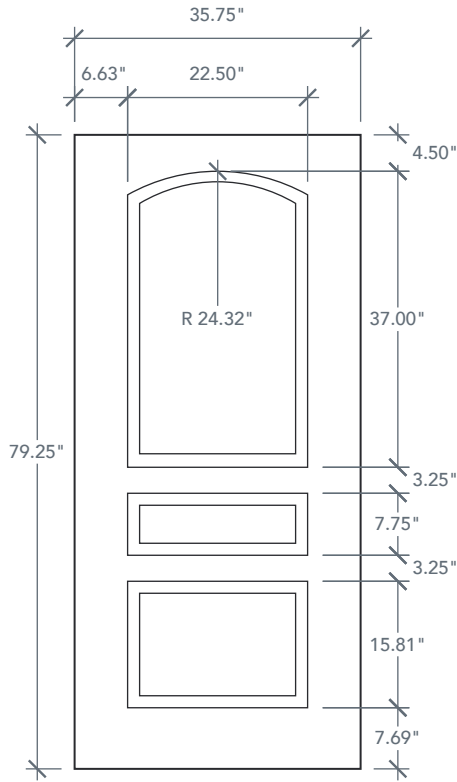
Available Widths:

- 1' 0"
- 1' 2"

6'8" DRS31 THREE PANEL DOOR

AVAILABLE SIZING

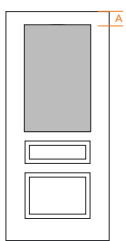
ARTWORK SCALE: 1/2"=1'



3' 0" x 6' 8"

NOTE: BY REQUEST, DOOR HEIGHT COMES IN VARYING DIMENSIONS TO A MINIMUM OF 79". EXCESS WILL BE TAKEN FROM BOTTOM RAIL. ALL OTHER DIMENSIONS WILL REMAIN THE SAME.

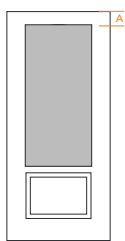
CUTOUTS & GLASS



HALF LITE
HL4

3'0" Cutout 23" x 37"
Glass 22" x 36"

A = 4.5"



3/4 LITE
342

3'0" Cutout 23" x 49"
Glass 22" x 48"

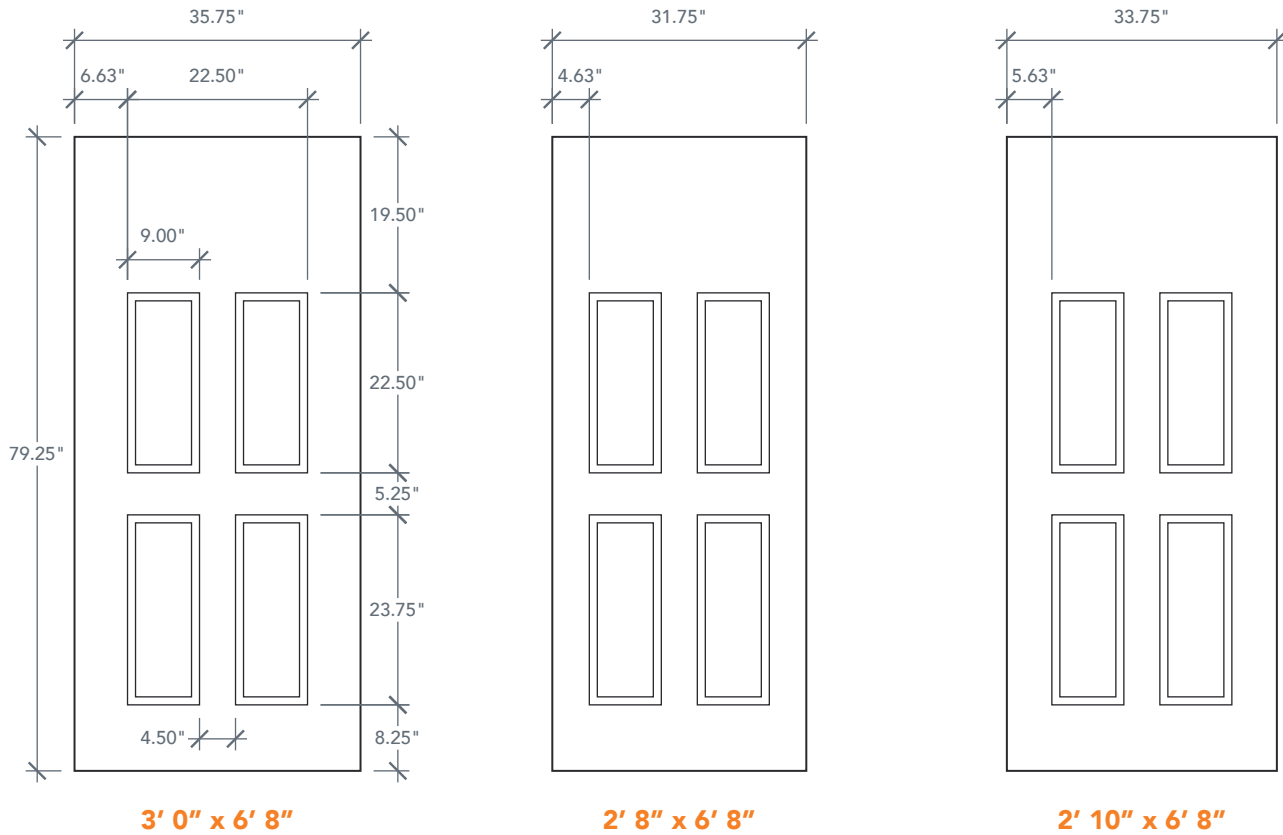
A = 4.5"

A = DISTANCE FROM TOP OF DOOR TO TOP OF OPENING

6'8" DRS40 FOUR PANEL BLANK TOP DOOR

AVAILABLE SIZING

ARTWORK SCALE: 1/2"=1'



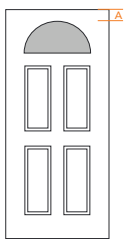
3' 0" x 6' 8"

2' 8" x 6' 8"

2' 10" x 6' 8"

NOTE: BY REQUEST, DOOR HEIGHT COMES IN VARYING DIMENSIONS TO A MINIMUM OF 79". EXCESS WILL BE TAKEN FROM BOTTOM RAIL. ALL OTHER DIMENSIONS WILL REMAIN THE SAME.

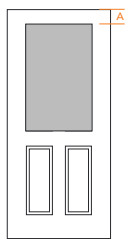
CUTOUTS & GLASS



HALF ROUND LITE
HR1

2'8"	Cutout	23" x 11"
2'10"	Glass	22" x 10"
3'0"		

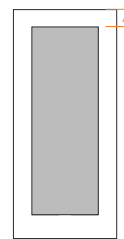
A = 4.0"



HALF LITE
HL4

2'8"	Cutout	23" x 37"
2'10"	Glass	22" x 36"
3'0"		

A = 5.0"



FULL LITE
FL7

2'8"	Cutout	23" x 65"
2'10"	Glass	22" x 64"
3'0"		

A = 6.0"

A = DISTANCE FROM TOP OF DOOR TO TOP OF OPENING

MATCHING SIDELITES



SLS60

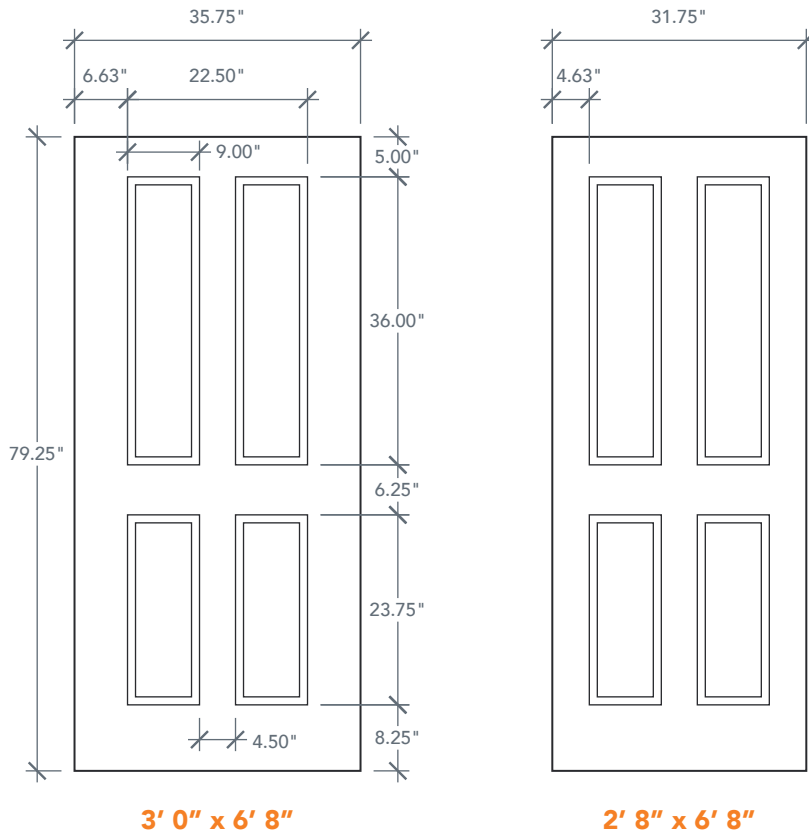
Available Widths:

- 1' 0"
- 1' 2"

6'8" DRS41 TRUE FOUR PANEL DOOR

AVAILABLE SIZING

ARTWORK SCALE: 1/2"=1'

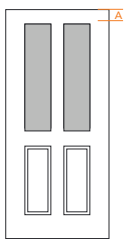


3' 0" x 6' 8"

2' 8" x 6' 8"

NOTE: BY REQUEST, DOOR HEIGHT COMES IN VARYING DIMENSIONS TO A MINIMUM OF 79". EXCESS WILL BE TAKEN FROM BOTTOM RAIL. ALL OTHER DIMENSIONS WILL REMAIN THE SAME.

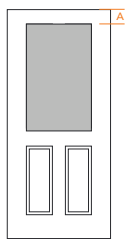
CUTOUTS & GLASS



TWIN LITE
HL2

2'8" Cutout 9" x 37"
3'0" Glass 8" x 36"

A = 5.0"



HALF LITE
HL4

2'8" Cutout 23" x 37"
3'0" Glass 22" x 36"

A = 5.0"

A = DISTANCE FROM TOP OF DOOR TO TOP OF OPENING

MATCHING SIDELITES



SLS60

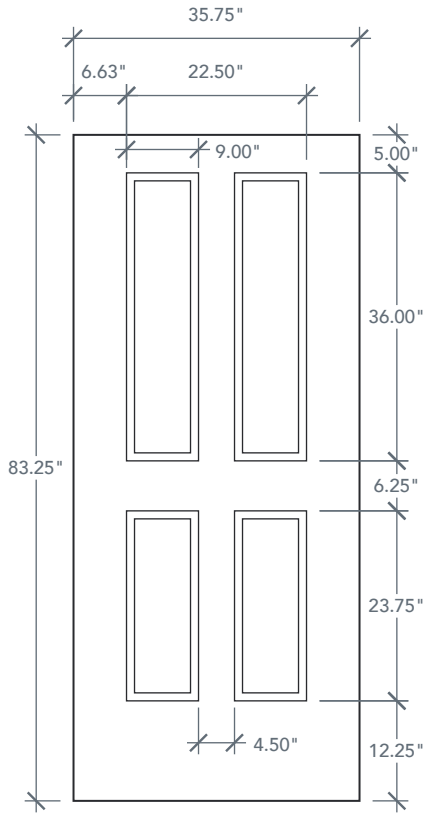
Available Widths:

- 1' 0"
- 1' 2"

7'0" DRS4170 TRUE FOUR PANEL DOOR

AVAILABLE SIZING

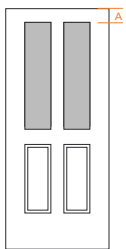
ARTWORK SCALE: 1/2"=1'



3' 0" x 7' 0"

NOTE: BY REQUEST, DOOR HEIGHT COMES IN VARYING DIMENSIONS TO A MINIMUM OF 83". EXCESS WILL BE TAKEN FROM BOTTOM RAIL. ALL OTHER DIMENSIONS WILL REMAIN THE SAME.

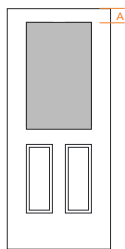
CUTOUTS & GLASS



TWIN LITE
HL2

3'0" Cutout 9" x 37"
Glass 8" x 36"

A = 5.0"



HALF LITE
HL4

3'0" Cutout 23" x 37"
Glass 22" x 36"

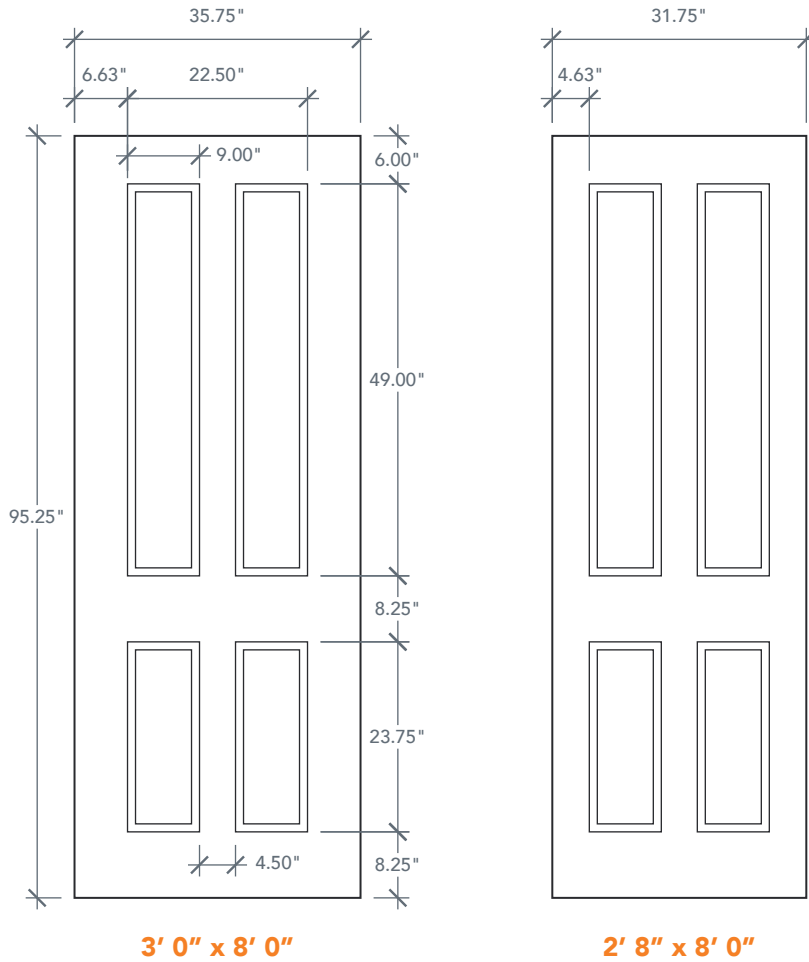
A = 5.0"

A = DISTANCE FROM TOP OF DOOR TO TOP OF OPENING

8'0" DRS4180 TRUE FOUR PANEL DOOR

AVAILABLE SIZING

ARTWORK SCALE: 1/2"=1'



3' 0" x 8' 0"

2' 8" x 8' 0"

NOTE: BY REQUEST, DOOR HEIGHT COMES IN VARYING DIMENSIONS TO A MINIMUM OF 95". EXCESS WILL BE TAKEN FROM BOTTOM RAIL. ALL OTHER DIMENSIONS WILL REMAIN THE SAME.

CUTOUTS & GLASS

	<table border="1"> <tr><th colspan="2">TWIN LITE</th></tr> <tr><td colspan="2">341</td></tr> <tr><td>2'8"</td><td>Cutout</td><td>9" x 49"</td></tr> <tr><td>3'0"</td><td>Glass</td><td>8" x 48"</td></tr> </table> <p>A = 6.0"</p>	TWIN LITE		341		2'8"	Cutout	9" x 49"	3'0"	Glass	8" x 48"		<table border="1"> <tr><th colspan="2">HALF LITE</th></tr> <tr><td colspan="2">342</td></tr> <tr><td>2'8"</td><td>Cutout</td><td>23" x 49"</td></tr> <tr><td>3'0"</td><td>Glass</td><td>22" x 48"</td></tr> </table> <p>A = 6.0"</p>	HALF LITE		342		2'8"	Cutout	23" x 49"	3'0"	Glass	22" x 48"		<table border="1"> <tr><th colspan="2">FULL LITE</th></tr> <tr><td colspan="2">FL8</td></tr> <tr><td>2'8"</td><td>Cutout</td><td>23" x 81"</td></tr> <tr><td>3'0"</td><td>Glass</td><td>22" x 80"</td></tr> </table> <p>A = 6.0"</p>	FULL LITE		FL8		2'8"	Cutout	23" x 81"	3'0"	Glass	22" x 80"
TWIN LITE																																			
341																																			
2'8"	Cutout	9" x 49"																																	
3'0"	Glass	8" x 48"																																	
HALF LITE																																			
342																																			
2'8"	Cutout	23" x 49"																																	
3'0"	Glass	22" x 48"																																	
FULL LITE																																			
FL8																																			
2'8"	Cutout	23" x 81"																																	
3'0"	Glass	22" x 80"																																	

A = DISTANCE FROM TOP OF DOOR TO TOP OF OPENING

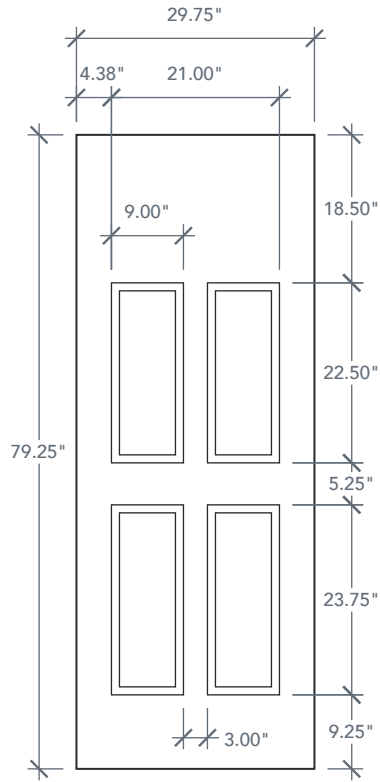
MATCHING SIDELITES

SLS4180
Available Widths:
 1' 0"
 1' 2"

6'8" DRS42 FOUR PANEL BLANK TOP DOOR

AVAILABLE SIZING

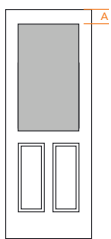
ARTWORK SCALE: 1/2"=1'



2' 6" x 6' 8"

NOTE: BY REQUEST, DOOR HEIGHT COMES IN VARYING DIMENSIONS TO A MINIMUM OF 79". EXCESS WILL BE TAKEN FROM BOTTOM RAIL. ALL OTHER DIMENSIONS WILL REMAIN THE SAME.

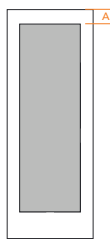
CUTOUTS & GLASS



HALF LITE
HL3

2'6" Cutout 21" x 37"
Glass 20" x 36"

A = 5.0"



FULL LITE
FL5

2'6" Cutout 21" x 65"
Glass 20" x 64"

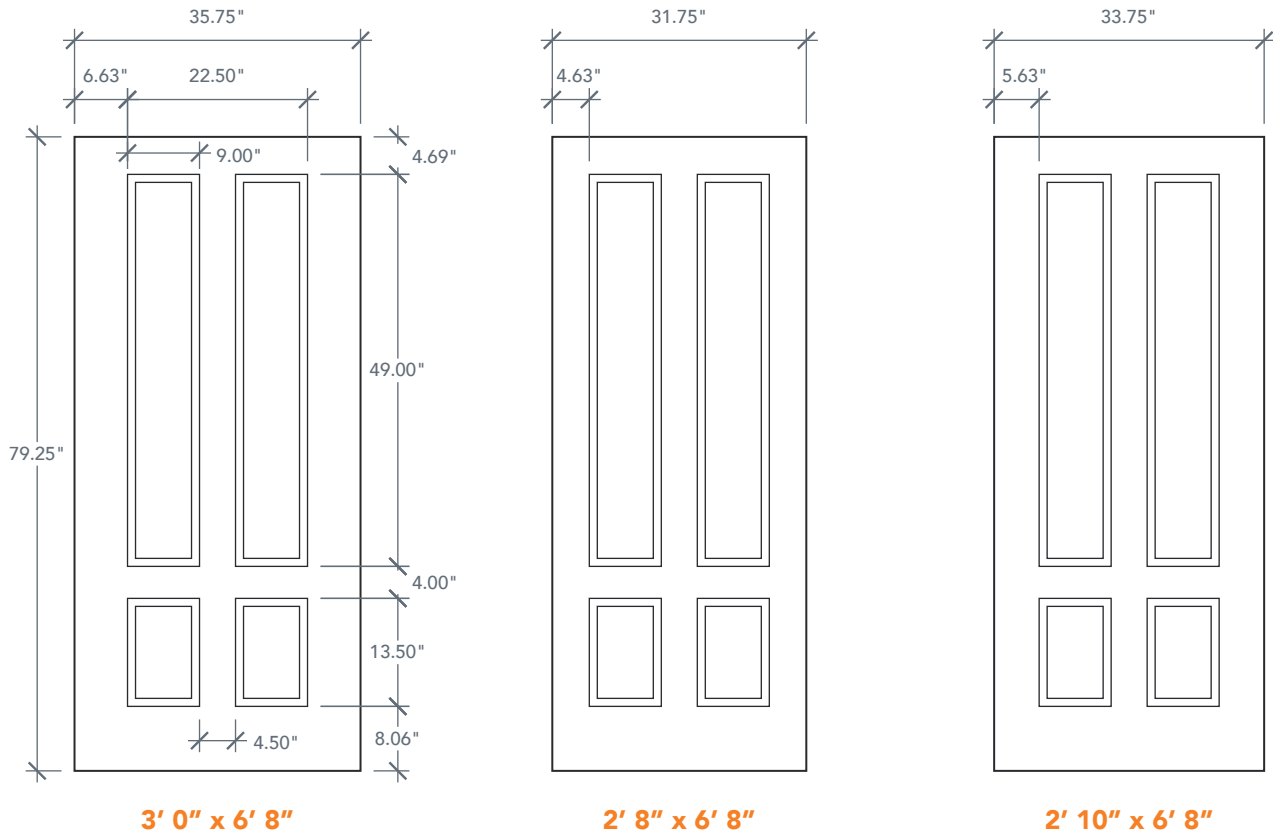
A = 5.0"

A = DISTANCE FROM TOP OF DOOR TO TOP OF OPENING

6'8" DRS49 3/4 FOUR PANEL DOOR

AVAILABLE SIZING

ARTWORK SCALE: 1/2"=1'



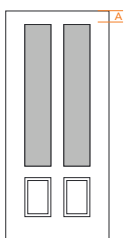
3' 0" x 6' 8"

2' 8" x 6' 8"

2' 10" x 6' 8"

NOTE: BY REQUEST, DOOR HEIGHT COMES IN VARYING DIMENSIONS TO A MINIMUM OF 79". EXCESS WILL BE TAKEN FROM BOTTOM RAIL. ALL OTHER DIMENSIONS WILL REMAIN THE SAME.

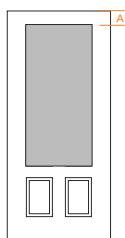
CUTOUTS & GLASS



TWIN LITE
341

2'8" Cutout 9" x 49"
2'10" Glass 8" x 48"
3'0"

A = 4.69"



3/4 LITE
342

2'8" Cutout 23" x 49"
2'10" Glass 22" x 48"
3'0"

A = 4.69"

A = DISTANCE FROM TOP OF DOOR TO TOP OF OPENING

MATCHING SIDELITES



SLS49

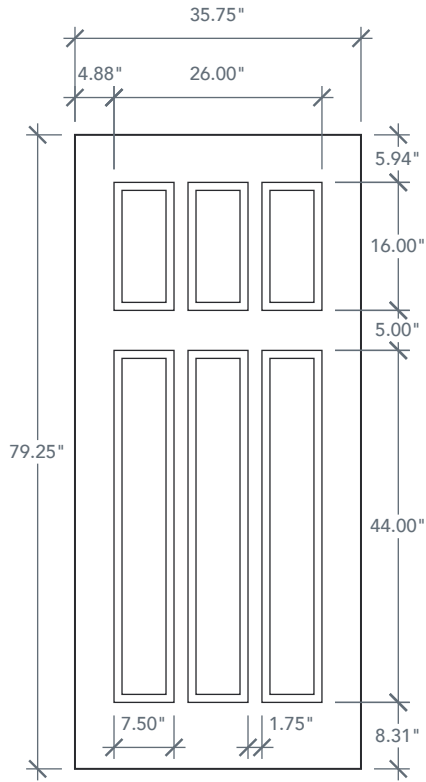
Available Widths:

1' 0"
1' 2"

6'8" DRS6C SIX PANEL CRAFTSMAN DOOR

AVAILABLE SIZING

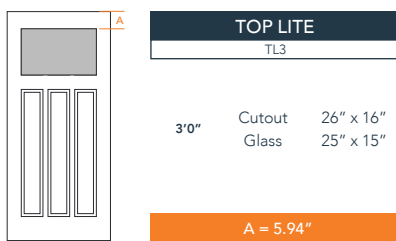
ARTWORK SCALE: 1/2"=1'



3' 0" x 6' 8"

NOTE: BY REQUEST, DOOR HEIGHT COMES IN VARYING DIMENSIONS TO A MINIMUM OF 79". EXCESS WILL BE TAKEN FROM BOTTOM RAIL. ALL OTHER DIMENSIONS WILL REMAIN THE SAME.

CUTOUTS & GLASS

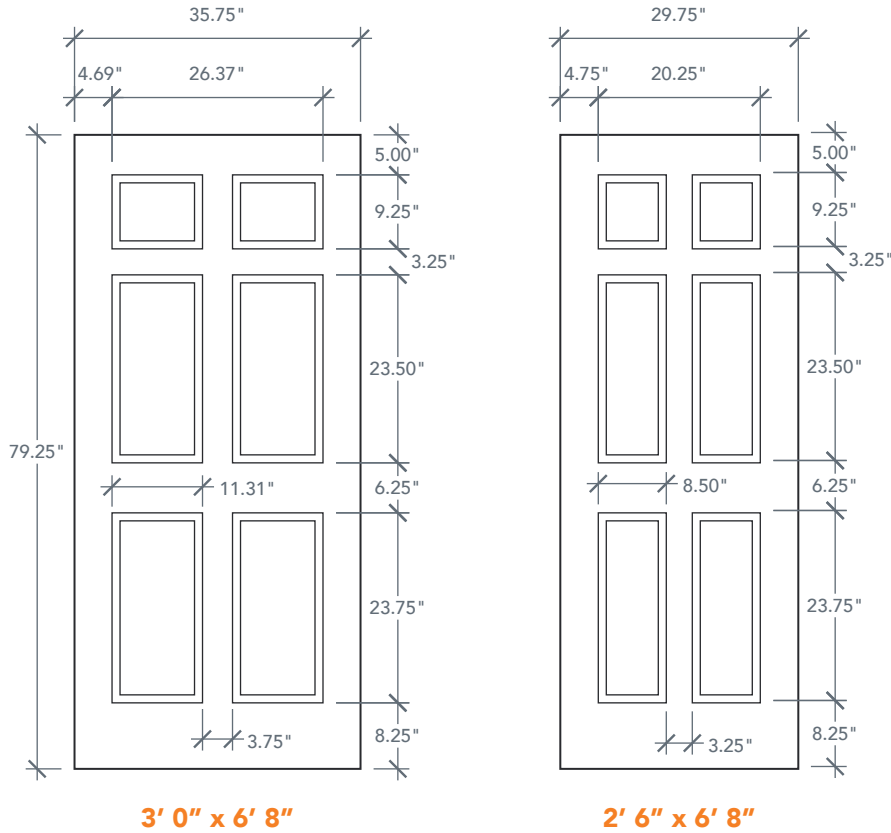


A = DISTANCE FROM TOP OF DOOR TO TOP OF OPENING

6'8" DRS60 SIX PANEL DOOR

AVAILABLE SIZING

ARTWORK SCALE: 1/2"=1'



NOTE: BY REQUEST, DOOR HEIGHT COMES IN VARYING DIMENSIONS TO A MINIMUM OF 79". EXCESS WILL BE TAKEN FROM BOTTOM RAIL. ALL OTHER DIMENSIONS WILL REMAIN THE SAME.

CUTOUTS & GLASS

	TOP LITE	
	TLS	
2'6"	Cutout	21" x 9 1/4"
	Glass	20" x 8 1/4"
TL1		
3'0"	Cutout	26 1/2" x 9 1/4"
	Glass	25 1/2" x 8 1/4"
A = 5.0"		

A = DISTANCE FROM TOP OF DOOR TO TOP OF OPENING

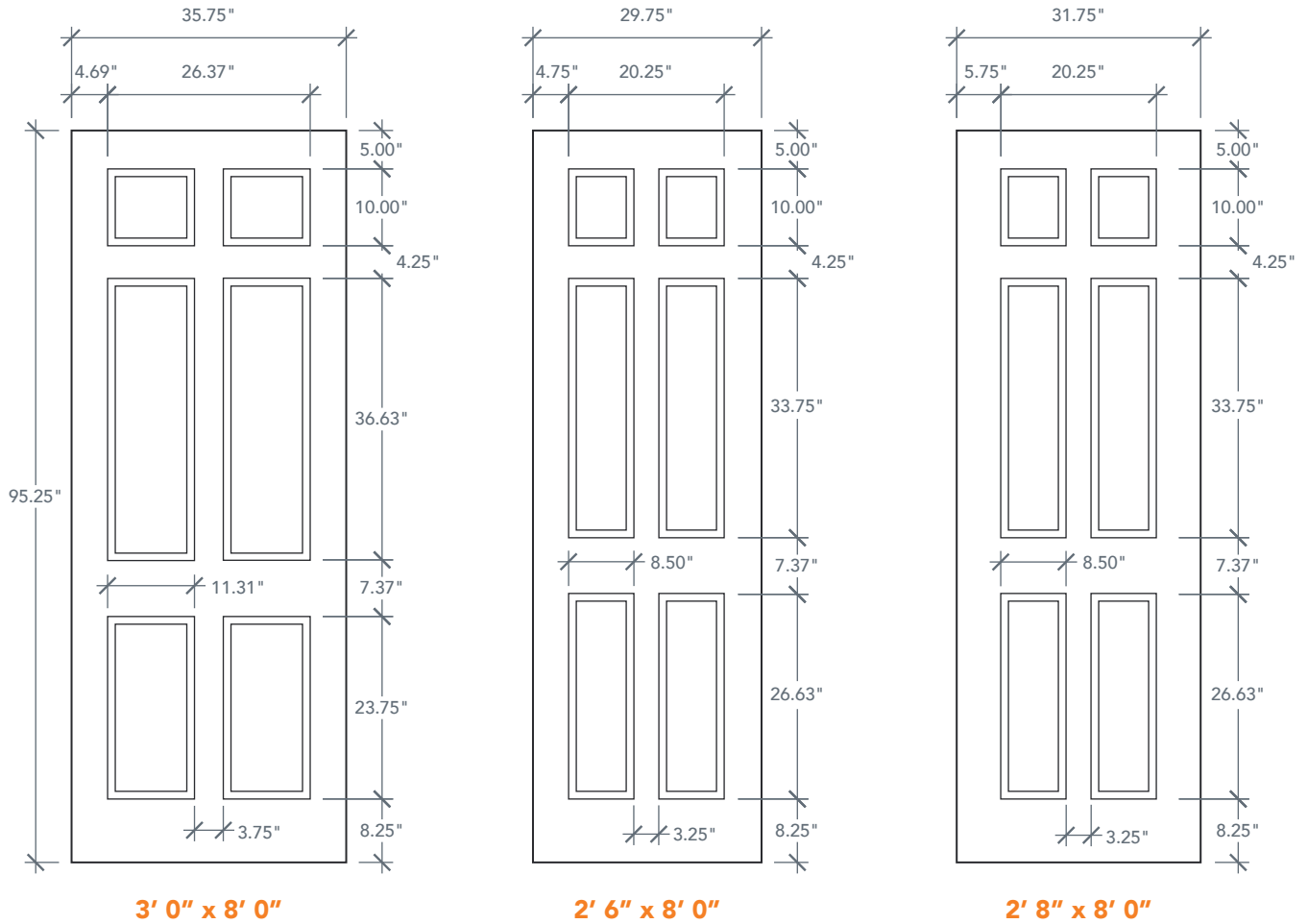
MATCHING SIDELITES

	SLS60
	Available Widths:
	1' 0"
	1' 2"

8'0" DRS6080 SIX PANEL DOOR

AVAILABLE SIZING

ARTWORK SCALE: 1/2"=1'



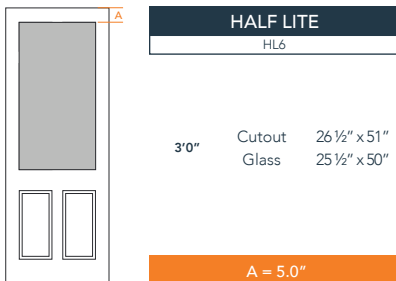
3' 0" x 8' 0"

2' 6" x 8' 0"

2' 8" x 8' 0"

NOTE: BY REQUEST, DOOR HEIGHT COMES IN VARYING DIMENSIONS TO A MINIMUM OF 95". EXCESS WILL BE TAKEN FROM BOTTOM RAIL. ALL OTHER DIMENSIONS WILL REMAIN THE SAME.

CUTOUTS & GLASS



A = DISTANCE FROM TOP OF DOOR TO TOP OF OPENING

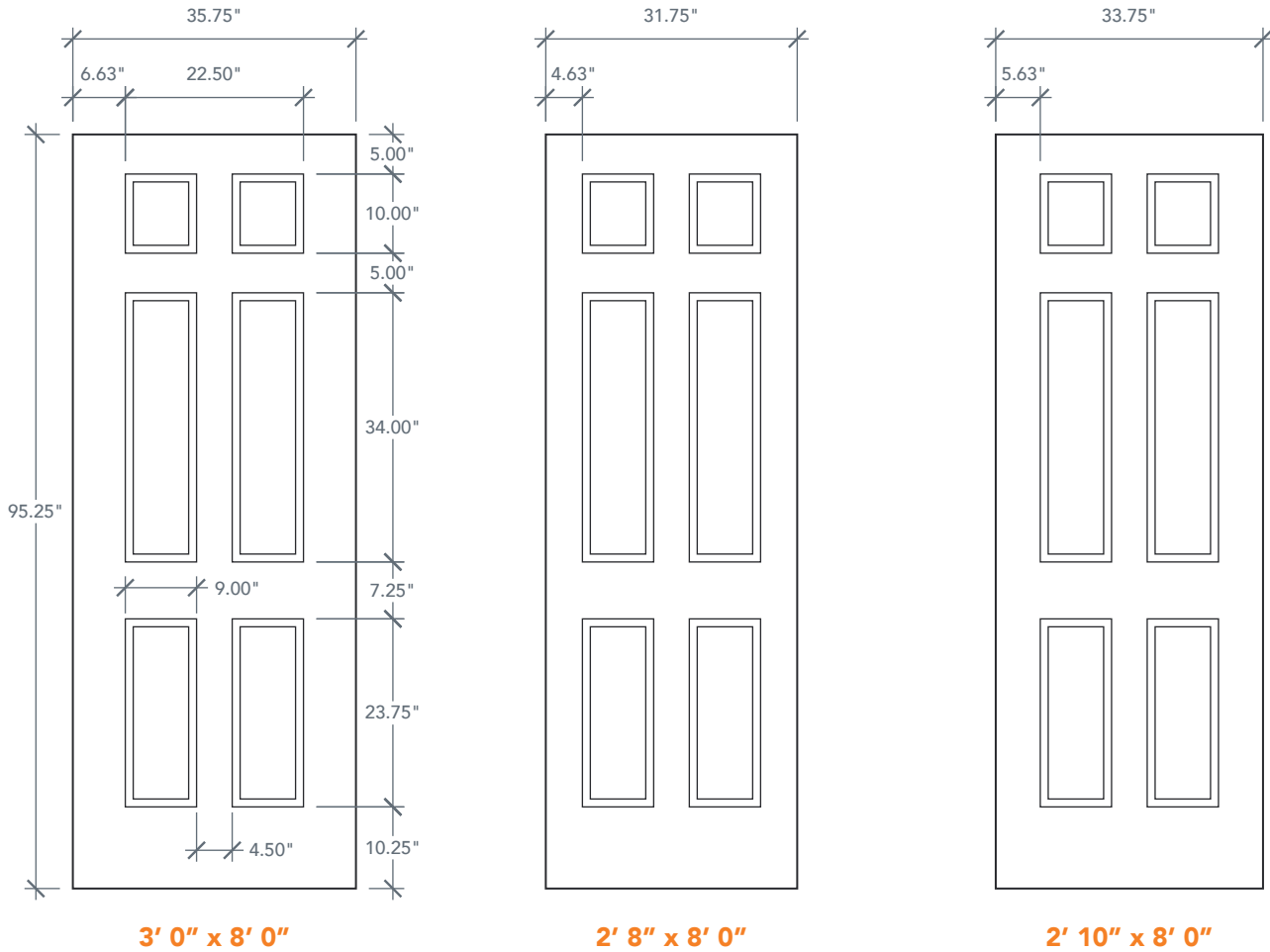
MATCHING SIDELITES



8'0" DRS6180 SIX PANEL UTILITY DOOR

AVAILABLE SIZING

ARTWORK SCALE: 1/2"=1'



3' 0" x 8' 0"

2' 8" x 8' 0"

2' 10" x 8' 0"

NOTE: BY REQUEST, DOOR HEIGHT COMES IN VARYING DIMENSIONS TO A MINIMUM OF 95". EXCESS WILL BE TAKEN FROM BOTTOM RAIL. ALL OTHER DIMENSIONS WILL REMAIN THE SAME.

CUTOUTS & GLASS

HALF LITE

342

2'8" Cutout 23" x 49"

2'10" Glass 22" x 48"

3'0"

A = 5.0"

FULL LITE

FL8

2'8" Cutout 23" x 81"

2'10" Glass 22" x 80"

3'0"

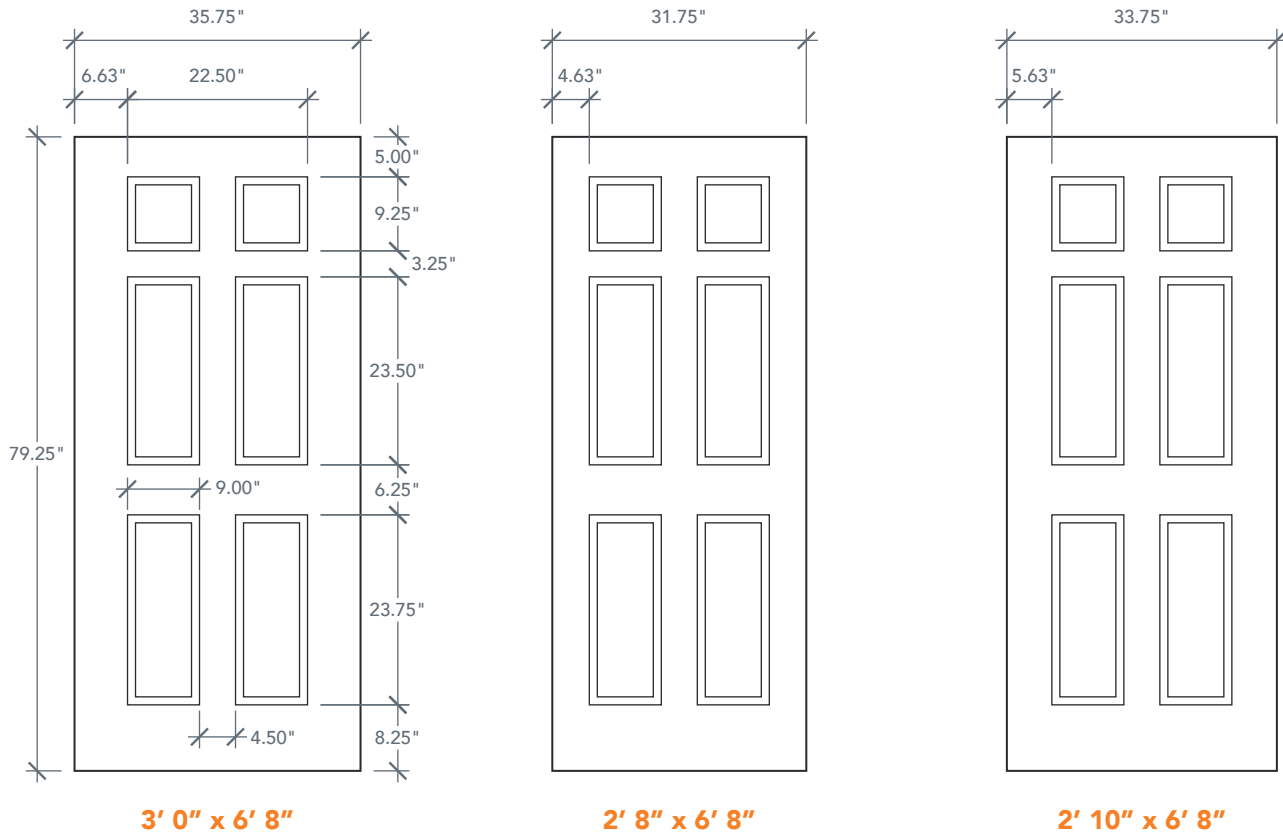
A = 5.0"

A = DISTANCE FROM TOP OF DOOR TO TOP OF OPENING

6'8" DRS63 TRUE SIX PANEL NARROW DOOR

AVAILABLE SIZING

ARTWORK SCALE: 1/2"=1'



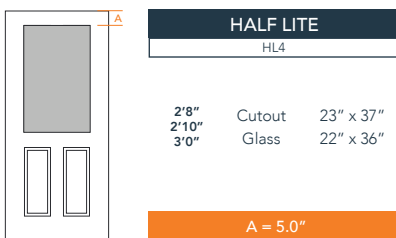
3' 0" x 6' 8"

2' 8" x 6' 8"

2' 10" x 6' 8"

NOTE: BY REQUEST, DOOR HEIGHT COMES IN VARYING DIMENSIONS TO A MINIMUM OF 79". EXCESS WILL BE TAKEN FROM BOTTOM RAIL. ALL OTHER DIMENSIONS WILL REMAIN THE SAME.

CUTOUTS & GLASS



A = DISTANCE FROM TOP OF DOOR TO TOP OF OPENING

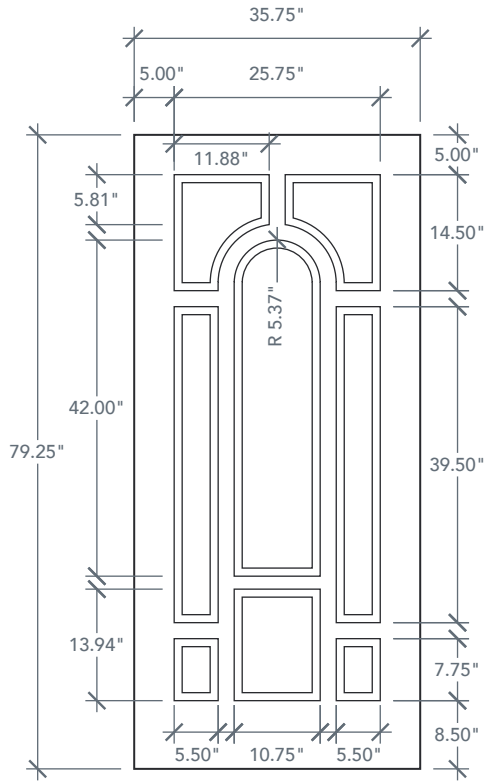
MATCHING SIDELITES



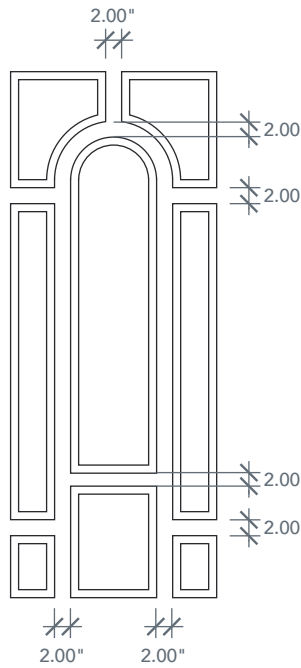
6'8" DRS80 EIGHT PANEL DOOR

AVAILABLE SIZING

ARTWORK SCALE: 1/2"=1'



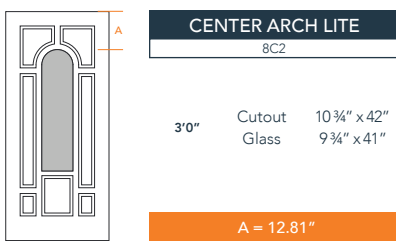
3' 0" x 6' 8"



Panel Spacing Detail

NOTE: BY REQUEST, DOOR HEIGHT COMES IN VARYING DIMENSIONS TO A MINIMUM OF 79". EXCESS WILL BE TAKEN FROM BOTTOM RAIL. ALL OTHER DIMENSIONS WILL REMAIN THE SAME.

CUTOUTS & GLASS



A = DISTANCE FROM TOP OF DOOR TO TOP OF OPENING

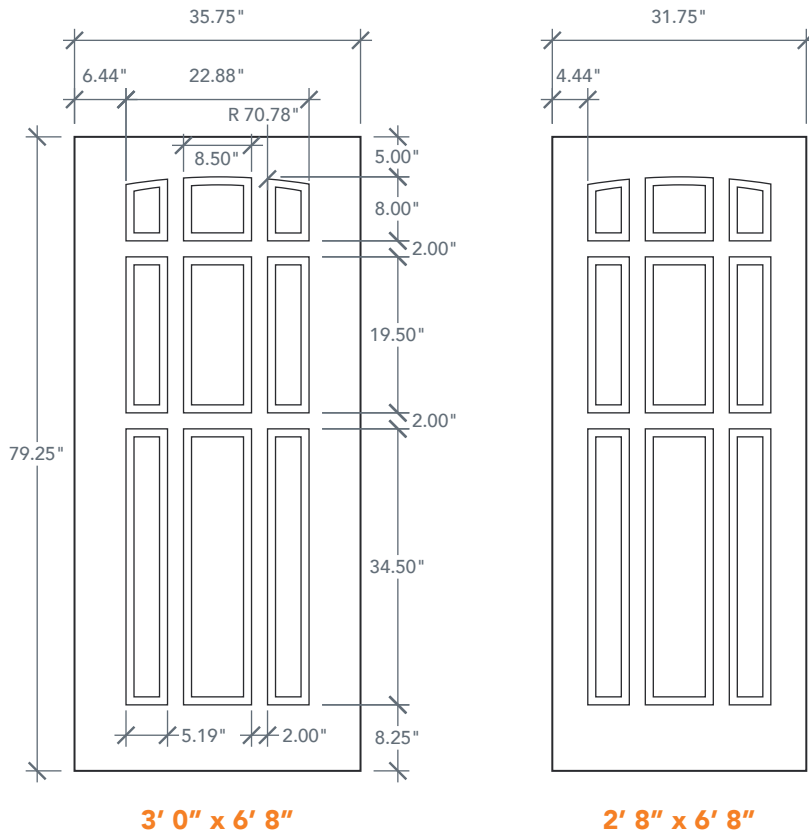
MATCHING SIDELITES



6'8" DRS90 NINE PANEL DOOR

AVAILABLE SIZING

ARTWORK SCALE: 1/2"=1'

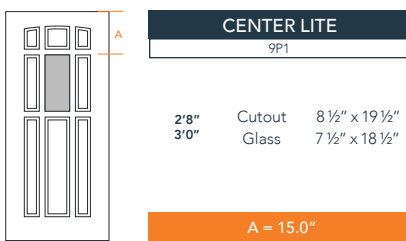


3' 0" x 6' 8"

2' 8" x 6' 8"

NOTE: BY REQUEST, DOOR HEIGHT COMES IN VARYING DIMENSIONS TO A MINIMUM OF 79". EXCESS WILL BE TAKEN FROM BOTTOM RAIL. ALL OTHER DIMENSIONS WILL REMAIN THE SAME.

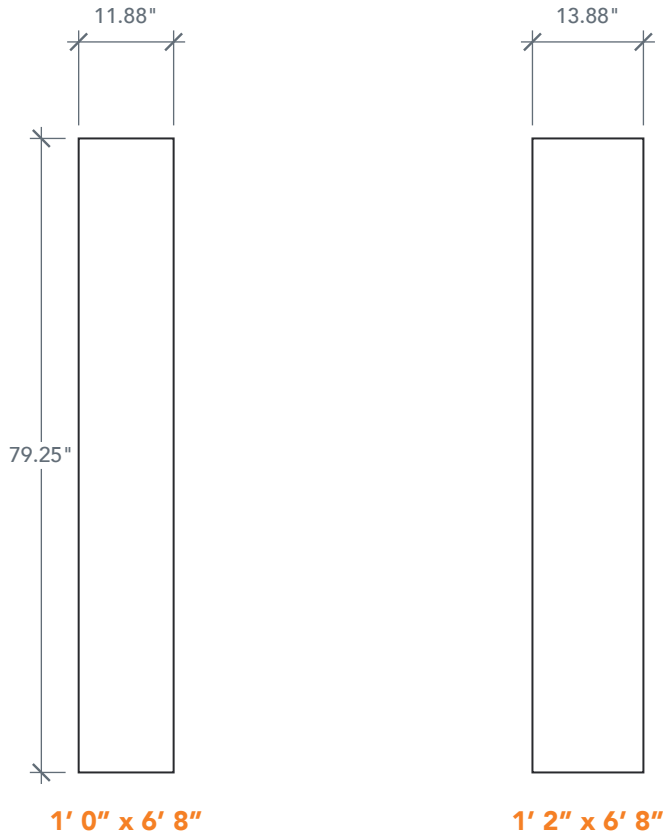
CUTOUTS & GLASS



A = DISTANCE FROM TOP OF DOOR TO TOP OF OPENING

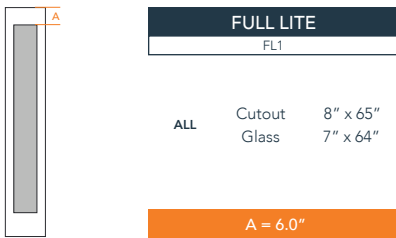
6'8" SLS00 FLUSH SIDELITE

AVAILABLE SIZING



NOTE: BY REQUEST, SIDELITE HEIGHT COMES IN VARYING DIMENSIONS TO A MINIMUM OF 79". EXCESS WILL BE TAKEN FROM BOTTOM RAIL. ALL OTHER DIMENSIONS WILL REMAIN THE SAME.

CUTOUTS & GLASS



A = DISTANCE FROM TOP OF DOOR TO TOP OF OPENING

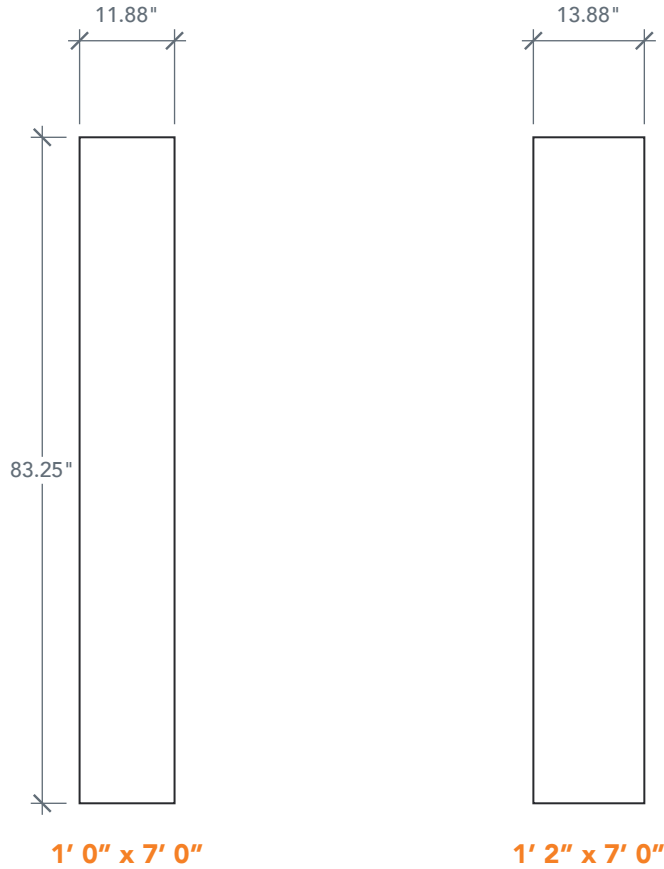
MATCHING DOORS



7'0" SLS0070 FLUSH SIDELITE

AVAILABLE SIZING

ARTWORK SCALE: 1/2"=1'



NOTE: BY REQUEST, SIDELITE HEIGHT COMES IN VARYING DIMENSIONS TO A MINIMUM OF 83". EXCESS WILL BE TAKEN FROM BOTTOM RAIL. ALL OTHER DIMENSIONS WILL REMAIN THE SAME.

CUTOUTS & GLASS



A = DISTANCE FROM TOP OF DOOR TO TOP OF OPENING

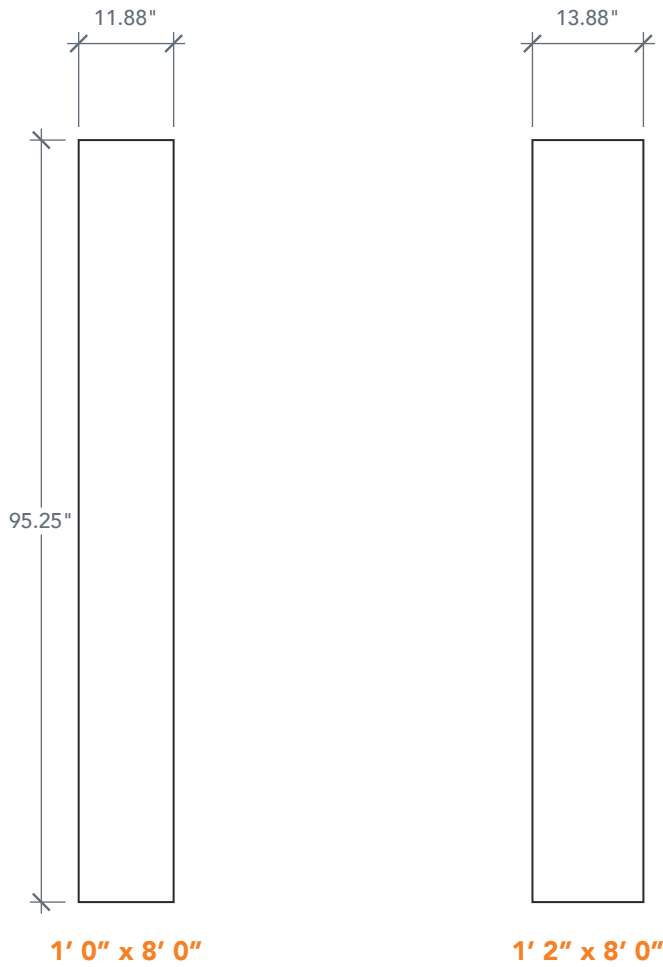
MATCHING DOORS



8'0" SLS0080 FLUSH SIDELITE

AVAILABLE SIZING

ARTWORK SCALE: 1/2"=1'



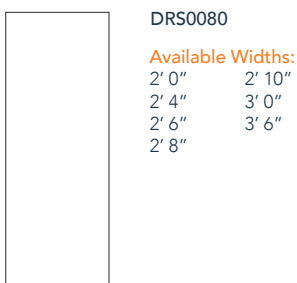
NOTE: BY REQUEST, SIDELITE HEIGHT COMES IN VARYING DIMENSIONS TO A MINIMUM OF 95". EXCESS WILL BE TAKEN FROM BOTTOM RAIL. ALL OTHER DIMENSIONS WILL REMAIN THE SAME.

CUTOUTS & GLASS



A = DISTANCE FROM TOP OF DOOR TO TOP OF OPENING

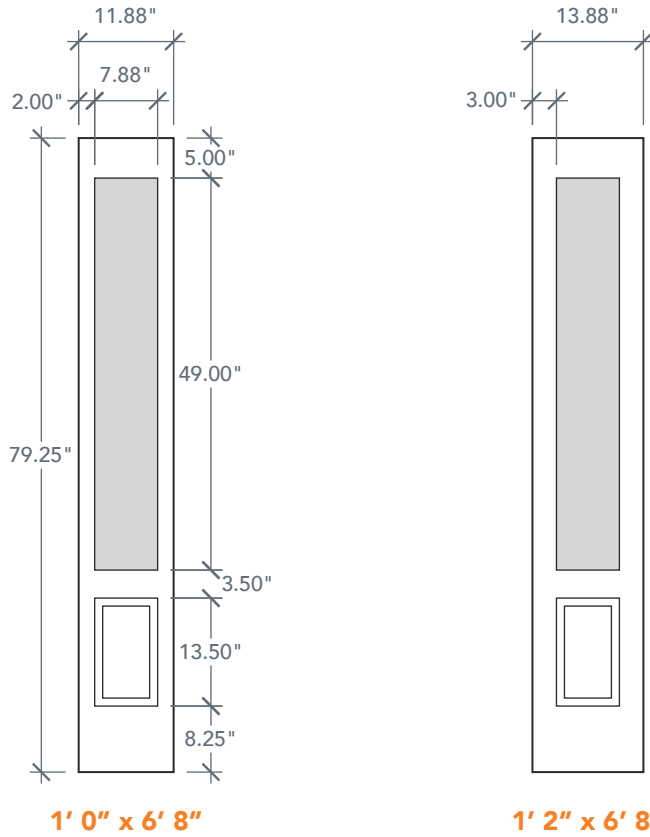
MATCHING DOORS



6'8" SLS3E 3/4 ELITE SIDELITE

AVAILABLE SIZING

ARTWORK SCALE: 1/2"=1'

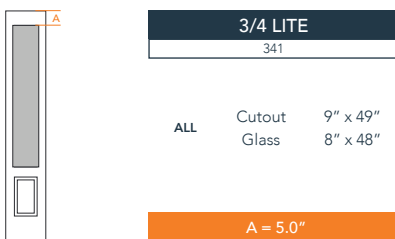


1' 0" x 6' 8"

1' 2" x 6' 8"

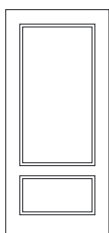
NOTE: BY REQUEST, SIDELITE HEIGHT COMES IN VARYING DIMENSIONS TO A MINIMUM OF 79". EXCESS WILL BE TAKEN FROM BOTTOM RAIL. ALL OTHER DIMENSIONS WILL REMAIN THE SAME.

CUTOUTS & GLASS



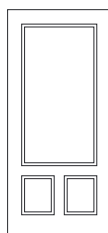
A = DISTANCE FROM TOP OF DOOR TO TOP OF OPENING

MATCHING DOORS



DRS20

Available Widths:
3' 0"



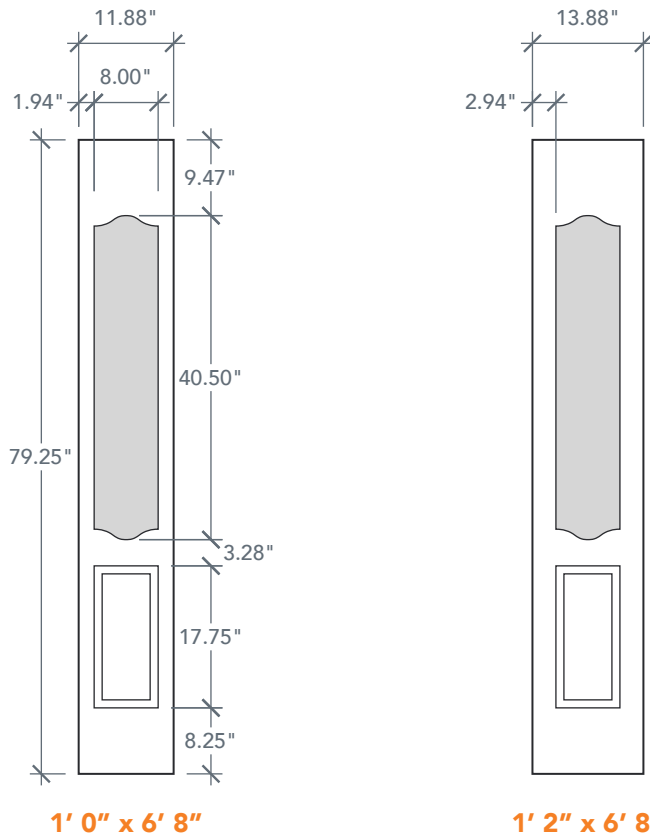
DRS3E

Available Widths:
3' 0"

6'8" SLS3P 3/4 PREMIUM SIDELITE

AVAILABLE SIZING

ARTWORK SCALE: 1/2"=1'

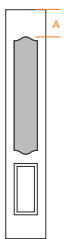


1' 0" x 6' 8"

1' 2" x 6' 8"

NOTE: BY REQUEST, SIDELITE HEIGHT COMES IN VARYING DIMENSIONS TO A MINIMUM OF 79". EXCESS WILL BE TAKEN FROM BOTTOM RAIL. ALL OTHER DIMENSIONS WILL REMAIN THE SAME.

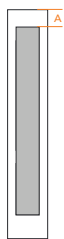
CUTOUTS & GLASS



3/4 OVAL LITE
3V1

ALL Cutout 8" x 40½"
Glass 7" x 39½"

A = 9.47"



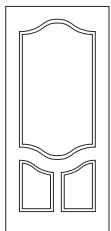
FULL LITE
FL1

ALL Cutout 8" x 65"
Glass 7" x 64"

A = 6.0"

A = DISTANCE FROM TOP OF DOOR TO TOP OF OPENING

MATCHING DOORS



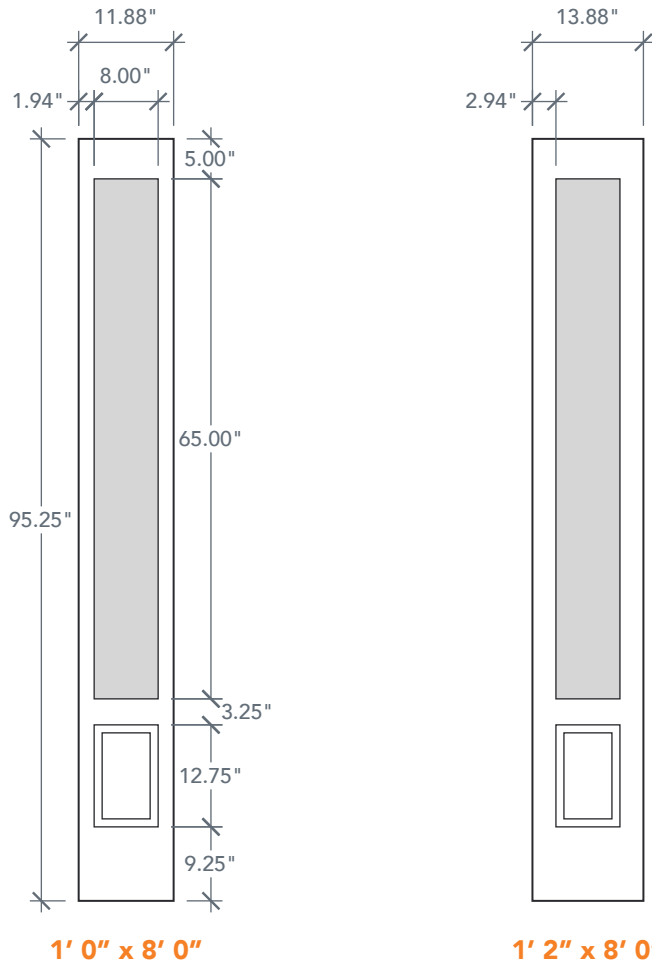
DRS3P

Available Widths:
3' 0"

8'0" SLS3080 3/4 THREE PANEL SIDELITE

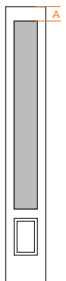
AVAILABLE SIZING

ARTWORK SCALE: 1/2"=1'



NOTE: BY REQUEST, SIDELITE HEIGHT COMES IN VARYING DIMENSIONS TO A MINIMUM OF 95". EXCESS WILL BE TAKEN FROM BOTTOM RAIL. ALL OTHER DIMENSIONS WILL REMAIN THE SAME.

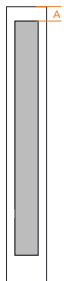
CUTOUTS & GLASS



3/4 LITE	
FL1	

ALL	Cutout	8" x 65"
	Glass	7" x 64"

A = 5.0"



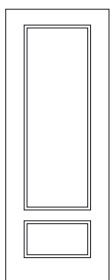
FULL LITE	
FL2	

ALL	Cutout	9" x 81"
	Glass	8" x 80"

A = 5.0"

A = DISTANCE FROM TOP OF DOOR TO TOP OF OPENING

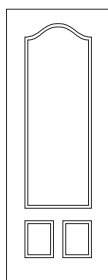
MATCHING DOORS



DRS2980

Available Widths:

- 2' 8"
- 2' 10"
- 3' 0"



DRS3080

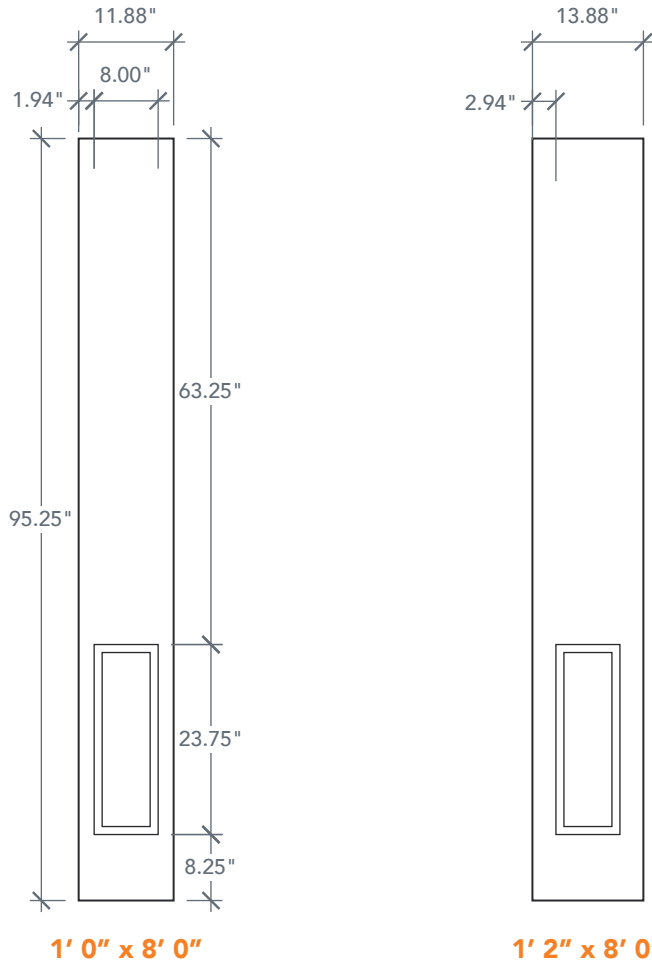
Available Widths:

- 2' 8"
- 3' 0"
- 3' 6"

8'0" SLS4180 FOUR PANEL SIDELITE

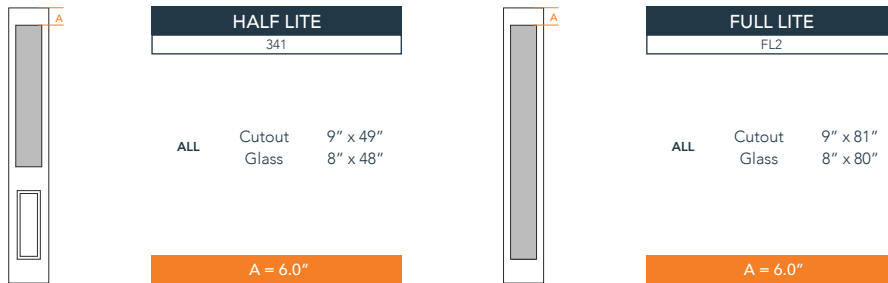
AVAILABLE SIZING

ARTWORK SCALE: 1/2"=1'



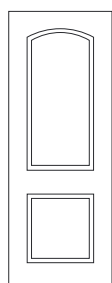
NOTE: BY REQUEST, SIDELITE HEIGHT COMES IN VARYING DIMENSIONS TO A MINIMUM OF 95". EXCESS WILL BE TAKEN FROM BOTTOM RAIL. ALL OTHER DIMENSIONS WILL REMAIN THE SAME.

CUTOUTS & GLASS

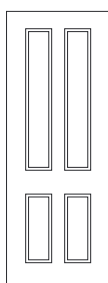


A = DISTANCE FROM TOP OF DOOR TO TOP OF OPENING

MATCHING DOORS



DRS2D80
Available Widths:
2' 8"
2' 10"
3' 0"



DRS4180
Available Widths:
2' 8"
2' 10"
3' 0"

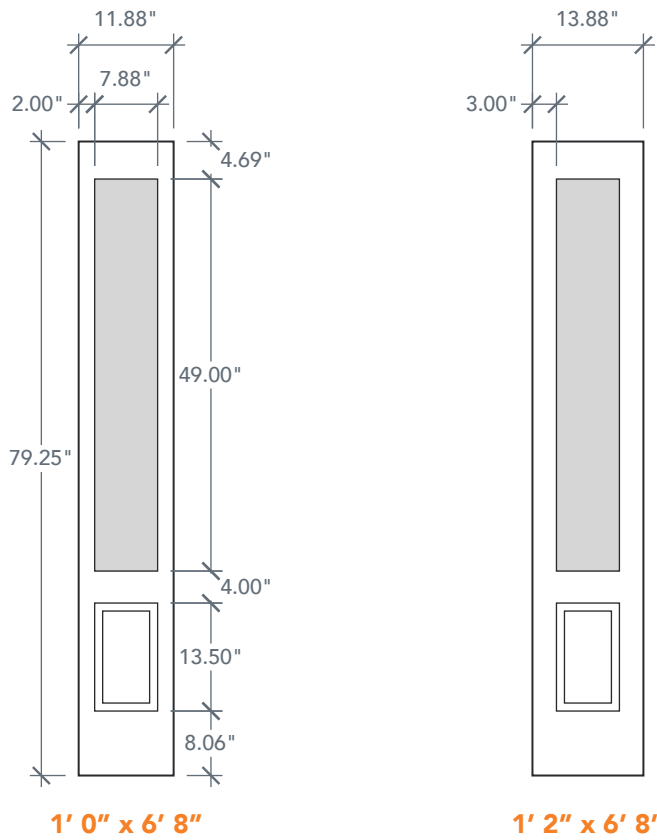


DRS6080
Available Widths:
2' 6"
2' 8"
3' 0"

6'8" SLS49 3/4 FOUR PANEL SIDELITE

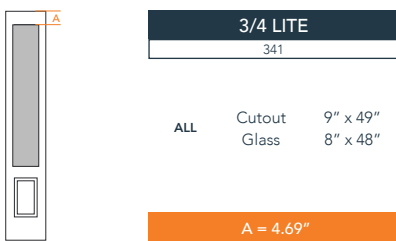
AVAILABLE SIZING

ARTWORK SCALE: 1/2"=1'



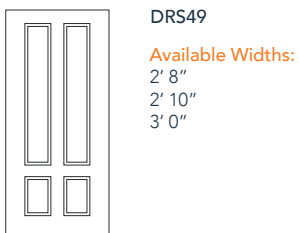
NOTE: BY REQUEST, SIDELITE HEIGHT COMES IN VARYING DIMENSIONS TO A MINIMUM OF 79". EXCESS WILL BE TAKEN FROM BOTTOM RAIL. ALL OTHER DIMENSIONS WILL REMAIN THE SAME.

CUTOUTS & GLASS



A = DISTANCE FROM TOP OF DOOR TO TOP OF OPENING

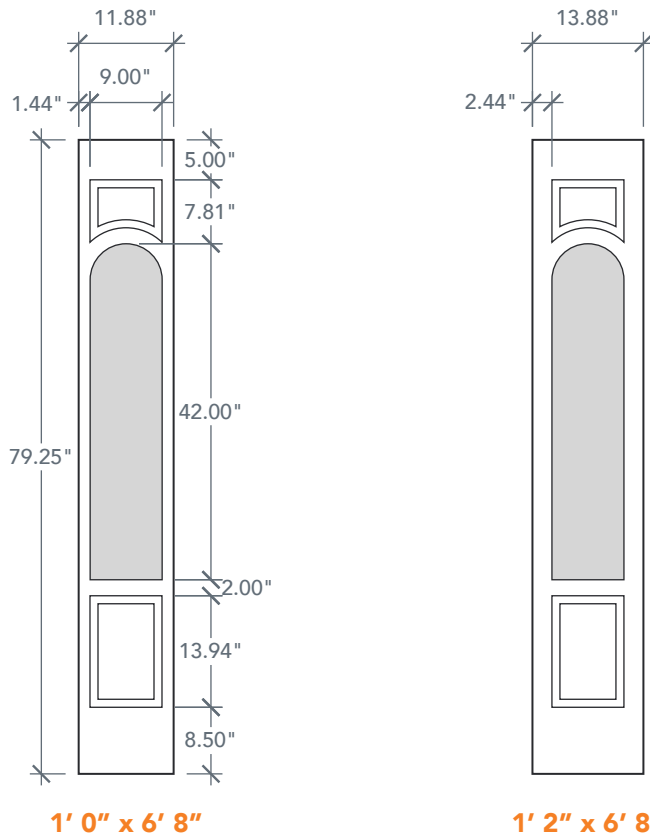
MATCHING DOORS



6'8" SLS80 EIGHT PANEL SIDELITE

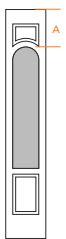
AVAILABLE SIZING

ARTWORK SCALE: 1/2"=1'



NOTE: BY REQUEST, SIDELITE HEIGHT COMES IN VARYING DIMENSIONS TO A MINIMUM OF 79". EXCESS WILL BE TAKEN FROM BOTTOM RAIL. ALL OTHER DIMENSIONS WILL REMAIN THE SAME.

CUTOUTS & GLASS



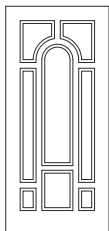
CENTER ARCH LITE
8C1

ALL Cutout 9" x 42"
Glass 8" x 41"

A = 12.81"

A = DISTANCE FROM TOP OF DOOR TO TOP OF OPENING

MATCHING DOORS



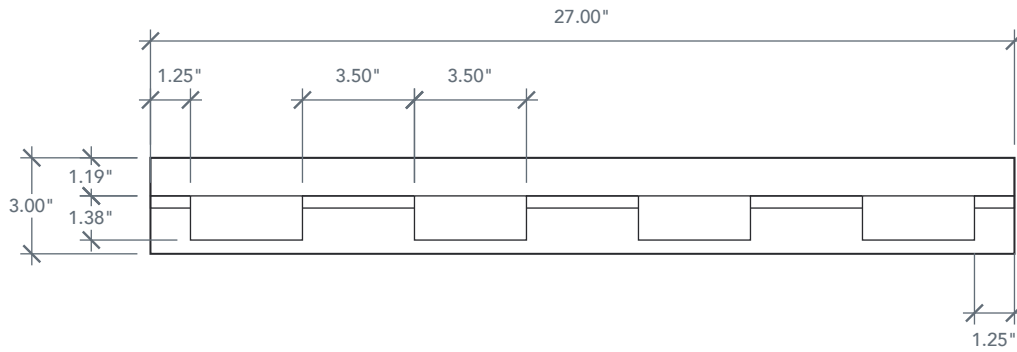
DRS80
Available Widths:
3' 0"

DENTIL SHELVES

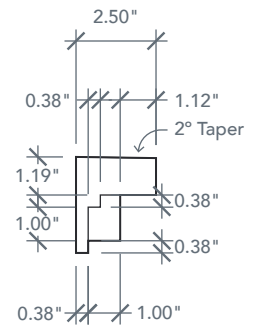
ACCESSORY DIMENSIONS

ARTWORK NOT TO SCALE

ACDSSW2704 4 BLOCK DENTIL SHELF



Front Profile

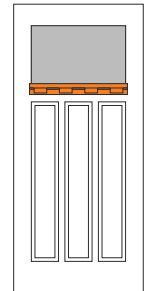


Side Profile

ACCESSORY INFO

Parts Per Set: 1
4 Block Dentil Shelf

Matching Doors:
DRS6C

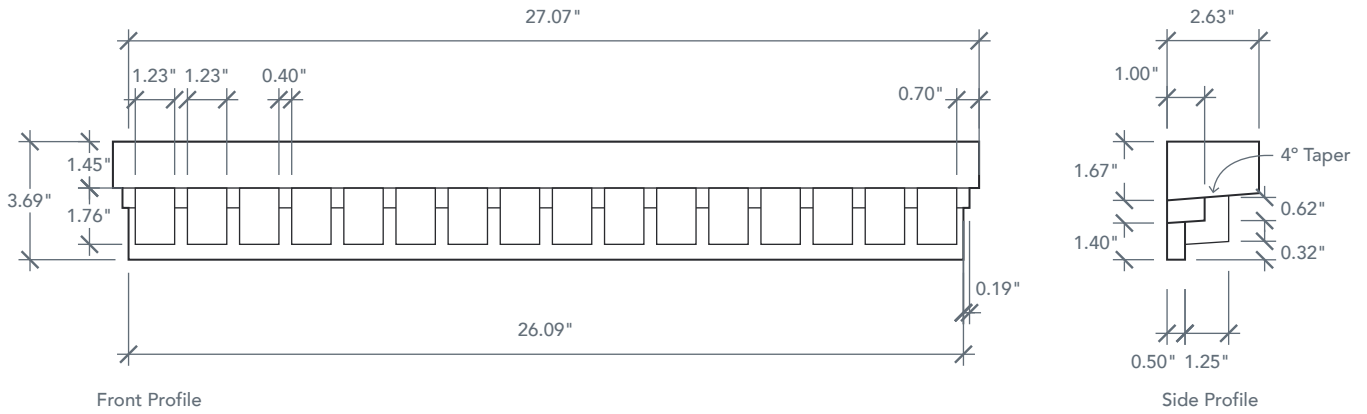


DENTIL SHELVES

ACCESSORY DIMENSIONS

ARTWORK NOT TO SCALE

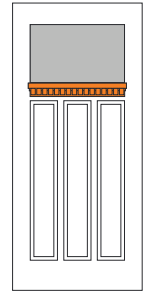
ACDSSW2716 16 BLOCK DENTIL SHELF

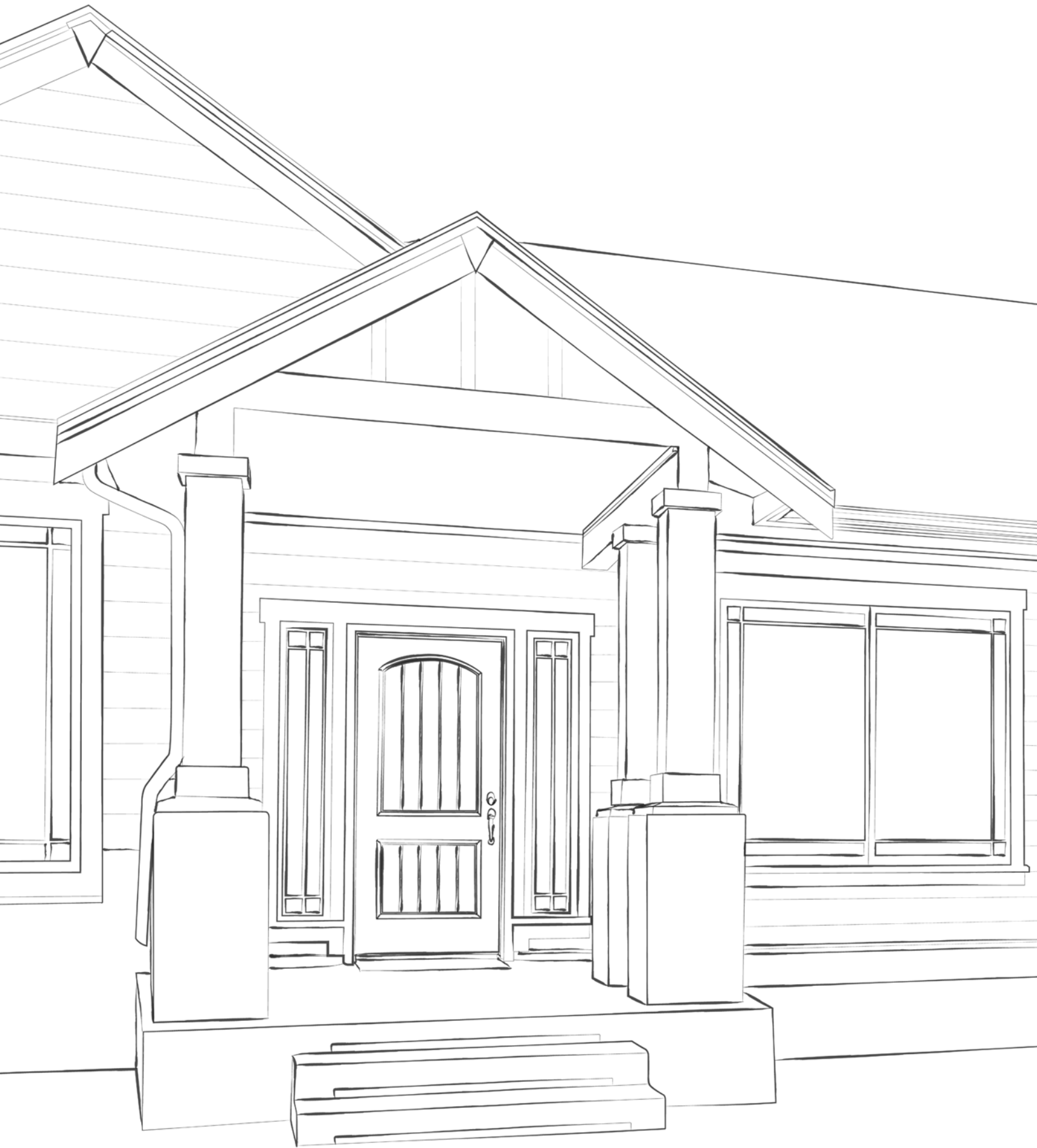


ACCESSORY INFO

Parts Per Set: 1
16 Block Dentil Shelf

Matching Doors:
DRS6C





BRUSHED SERIES

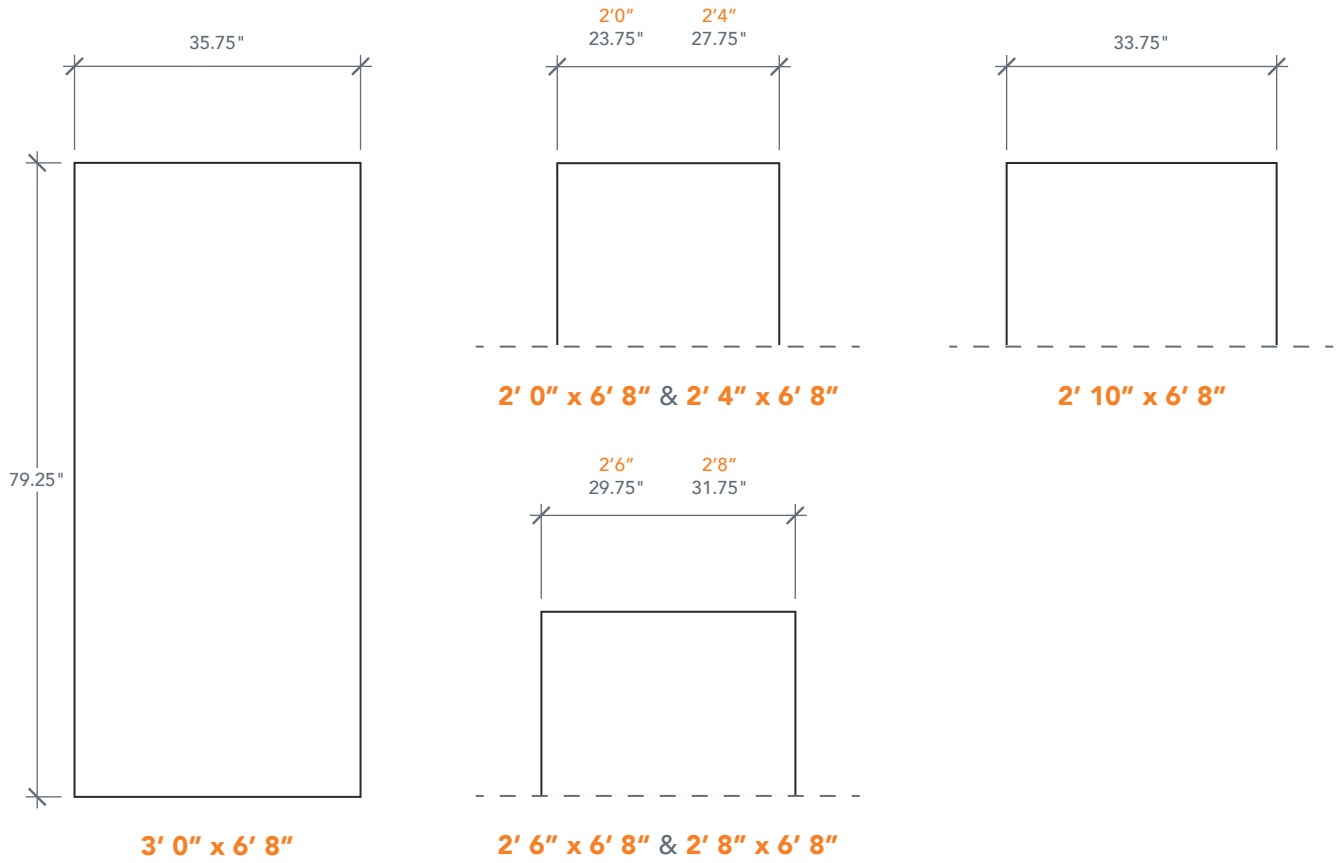
Some doors impress with flawless simplicity—but others shine through the beauty of subtle texture. Plastpro's Brushed Series celebrates that refined character. Crafted with a delicately brushed skin, this finish offers excellent paint adhesion for long-lasting, vibrant color. The understated grain appearance adds dimension without overwhelming the design, giving each door a warm, natural presence. True stile-and-rail detailing further elevates the look, bringing handcrafted depth to durable fiberglass construction. Where the Smooth Series offers sleek minimalism, the Brushed Series introduces a soft, textural elegance—perfect for homeowners who want just a touch more character in their doorway design.

PG 138 - 153

6'8" DRZ00 FLUSH PANEL DOOR

AVAILABLE SIZING

ARTWORK SCALE: 1/2"=1'



NOTE: BY REQUEST, DOOR HEIGHT COMES IN VARYING DIMENSIONS TO A MINIMUM OF 79". EXCESS WILL BE TAKEN FROM BOTTOM RAIL. ALL OTHER DIMENSIONS WILL REMAIN THE SAME.

CUTOUTS & GLASS

	FULL LITE	
	FL5	
2'6"	Cutout	21" x 65"
	Glass	20" x 64"
FL7		
2'8"	Cutout	23" x 65"
	Glass	22" x 64"
2'10"		
3'0"		
A = 6.0"		

A = DISTANCE FROM TOP OF DOOR TO TOP OF OPENING

MATCHING SIDELITES

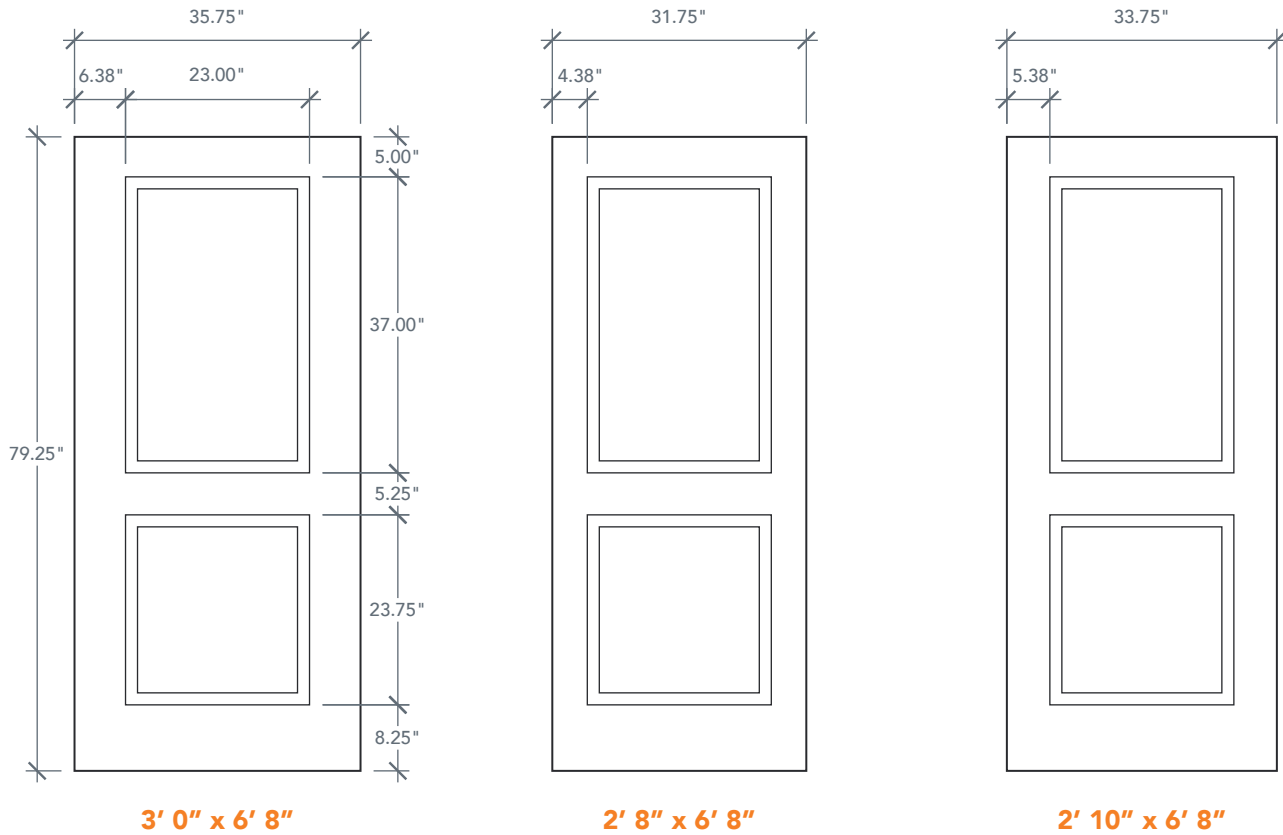
	SLZ00
	Available Widths:
	1' 0"
	1' 2"

6'8" DRZ2B TWO PANEL DOOR

SQUARE PANEL & SQUARE TOP

AVAILABLE SIZING

ARTWORK SCALE: 1/2"=1'



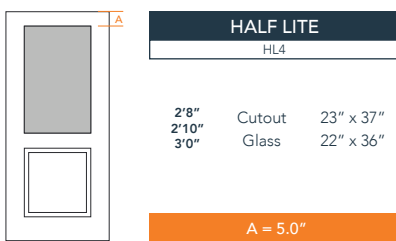
3' 0" x 6' 8"

2' 8" x 6' 8"

2' 10" x 6' 8"

NOTE: BY REQUEST, DOOR HEIGHT COMES IN VARYING DIMENSIONS TO A MINIMUM OF 79". EXCESS WILL BE TAKEN FROM BOTTOM RAIL. ALL OTHER DIMENSIONS WILL REMAIN THE SAME.

CUTOUTS & GLASS



A = DISTANCE FROM TOP OF DOOR TO TOP OF OPENING

MATCHING SIDELITES

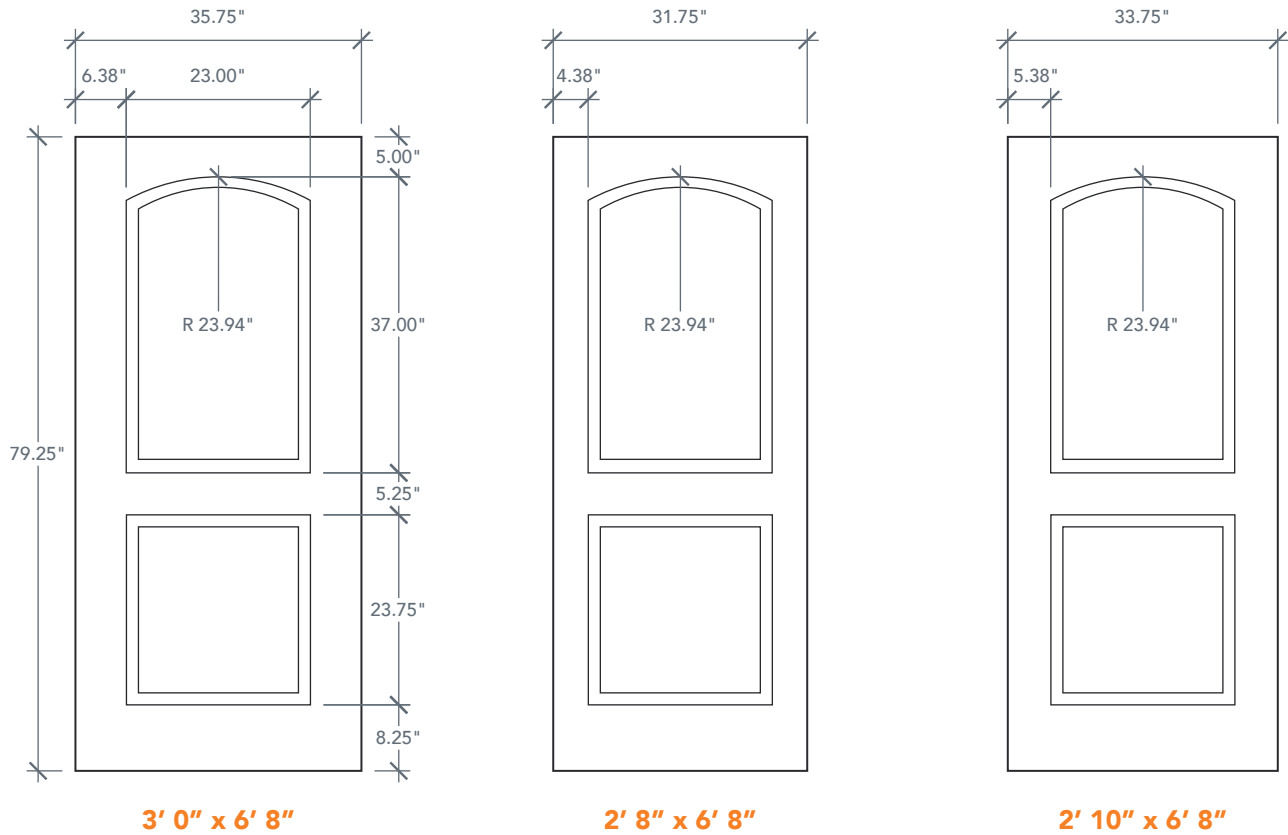


6'8" DRZ2D TWO PANEL DOOR

ARCH PANEL & SQUARE TOP

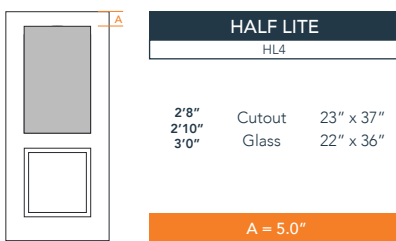
AVAILABLE SIZING

ARTWORK SCALE: 1/2"=1'



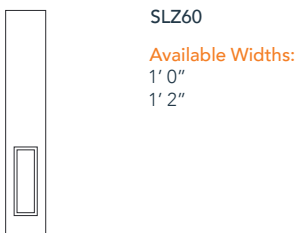
NOTE: BY REQUEST, DOOR HEIGHT COMES IN VARYING DIMENSIONS TO A MINIMUM OF 79". EXCESS WILL BE TAKEN FROM BOTTOM RAIL. ALL OTHER DIMENSIONS WILL REMAIN THE SAME.

CUTOUTS & GLASS



A = DISTANCE FROM TOP OF DOOR TO TOP OF OPENING

MATCHING SIDELITES

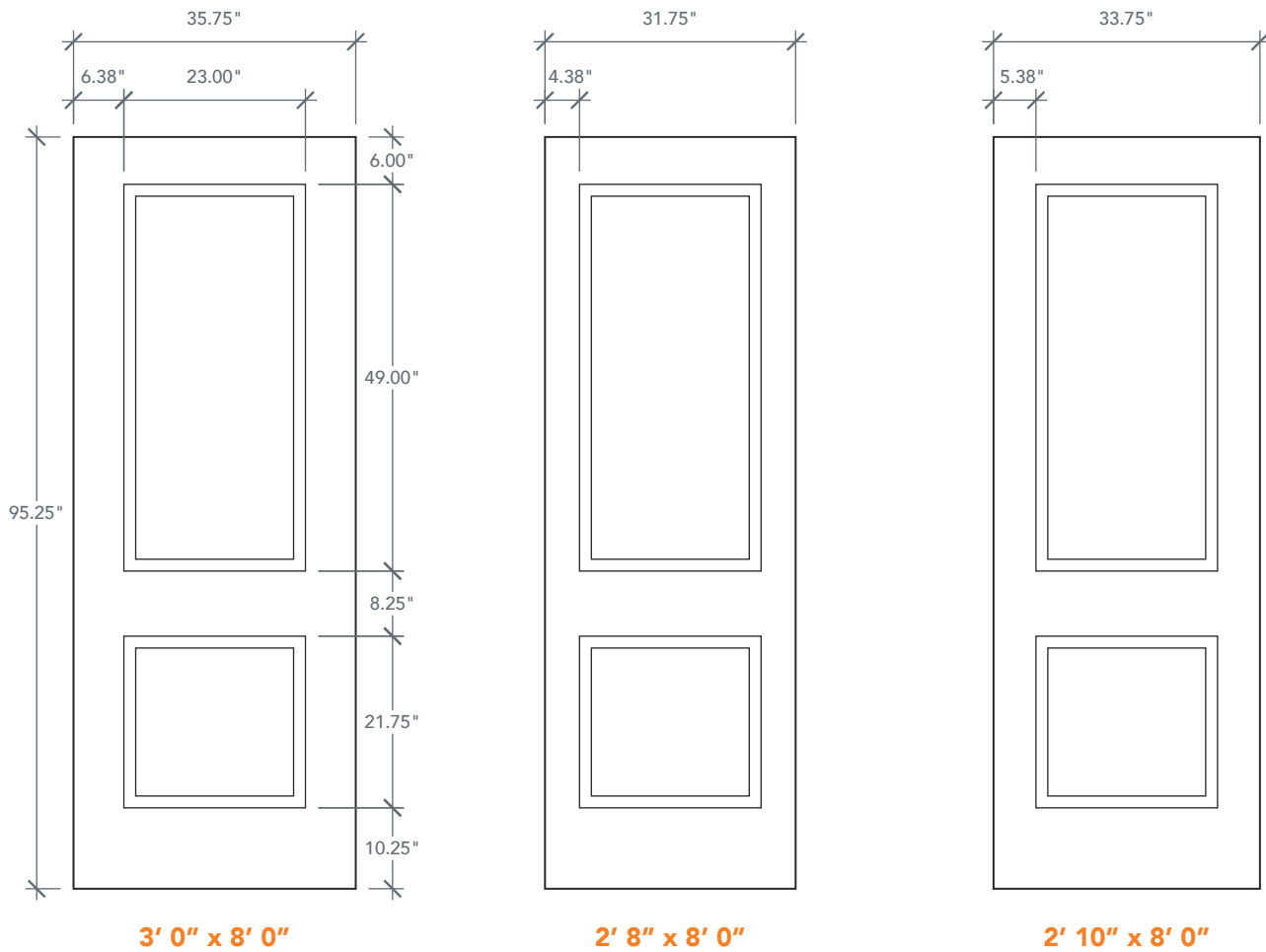


8'0" DRZ2280 TWO PANEL DOOR

10" BOTTOM RAIL

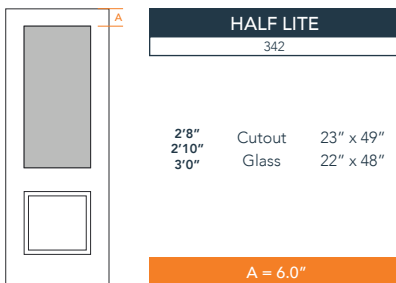
AVAILABLE SIZING

ARTWORK SCALE: 1/2"=1'



NOTE: BY REQUEST, DOOR HEIGHT COMES IN VARYING DIMENSIONS TO A MINIMUM OF 95". EXCESS WILL BE TAKEN FROM BOTTOM RAIL. ALL OTHER DIMENSIONS WILL REMAIN THE SAME.

CUTOUTS & GLASS

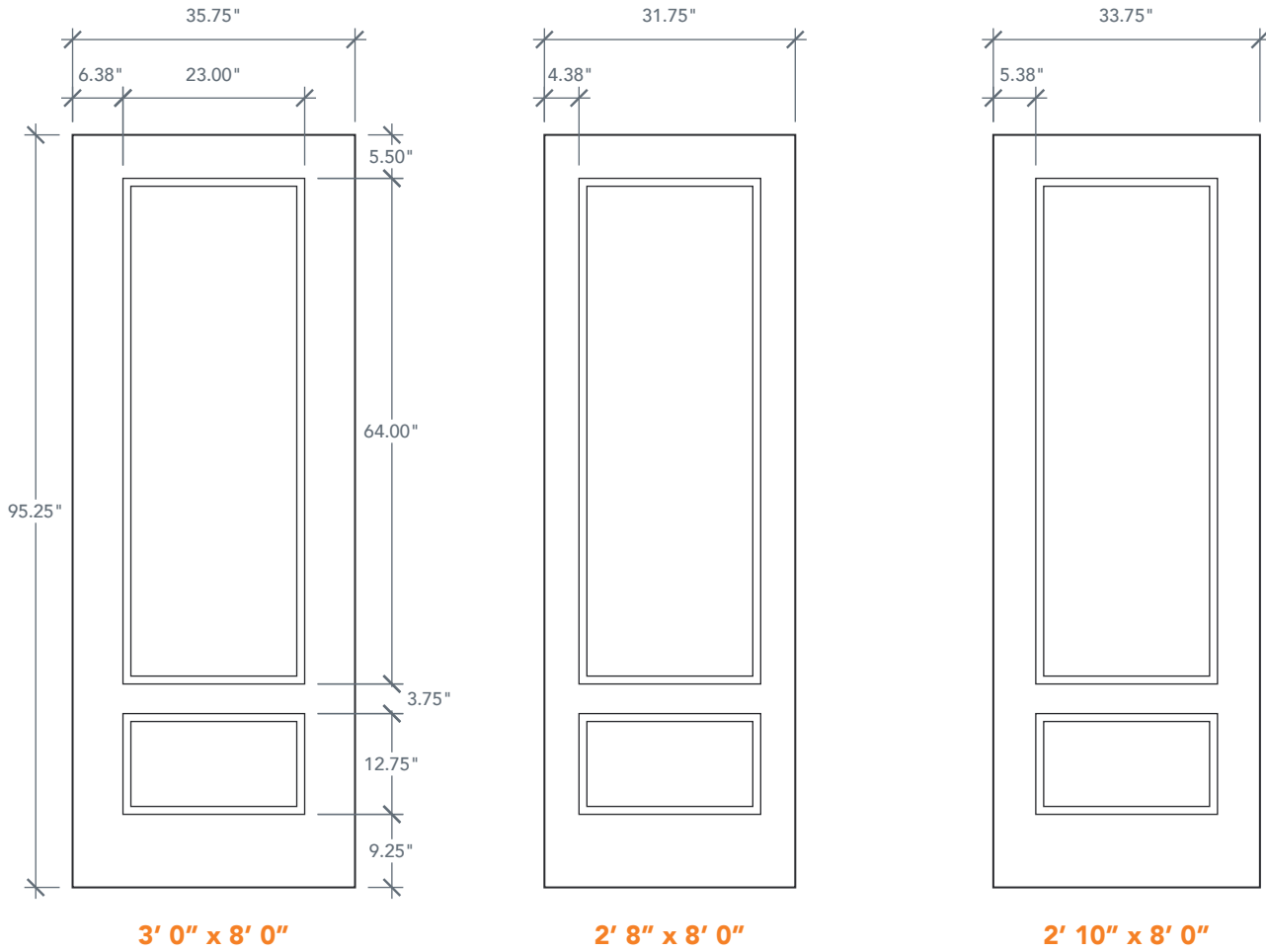


A = DISTANCE FROM TOP OF DOOR TO TOP OF OPENING

8'0" DRZ2980 3/4 TWO PANEL DOOR

AVAILABLE SIZING

ARTWORK SCALE: 1/2"=1'



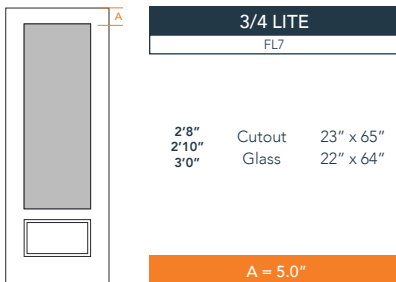
3' 0" x 8' 0"

2' 8" x 8' 0"

2' 10" x 8' 0"

NOTE: BY REQUEST, DOOR HEIGHT COMES IN VARYING DIMENSIONS TO A MINIMUM OF 95". EXCESS WILL BE TAKEN FROM BOTTOM RAIL. ALL OTHER DIMENSIONS WILL REMAIN THE SAME.

CUTOUTS & GLASS

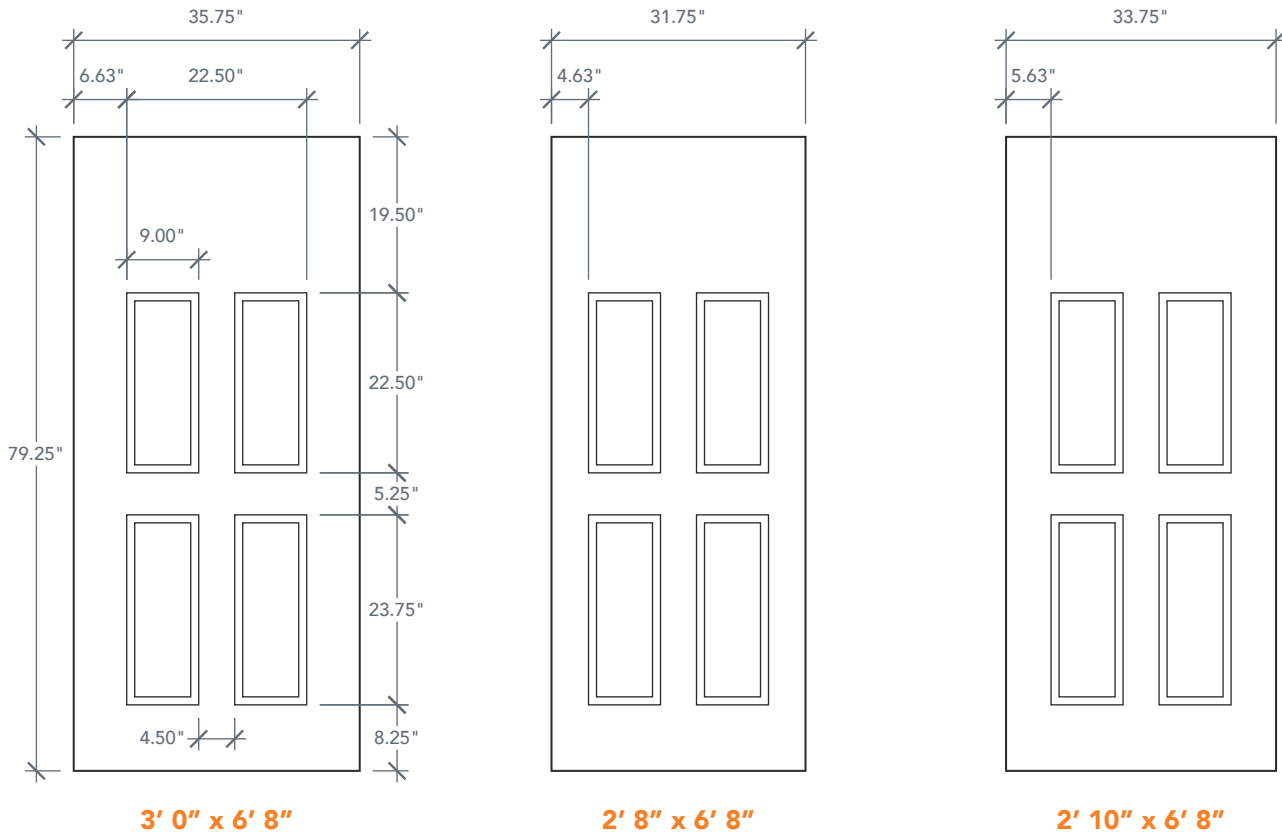


A = DISTANCE FROM TOP OF DOOR TO TOP OF OPENING

6'8" DRZ40 FOUR PANEL BLANK TOP DOOR

AVAILABLE SIZING

ARTWORK SCALE: 1/2"=1'



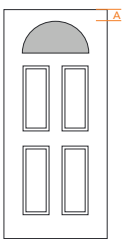
3' 0" x 6' 8"

2' 8" x 6' 8"

2' 10" x 6' 8"

NOTE: BY REQUEST, DOOR HEIGHT COMES IN VARYING DIMENSIONS TO A MINIMUM OF 79". EXCESS WILL BE TAKEN FROM BOTTOM RAIL. ALL OTHER DIMENSIONS WILL REMAIN THE SAME.

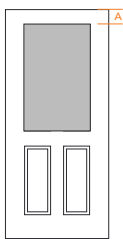
CUTOUTS & GLASS



HALF ROUND LITE
HR1

2'8"	Cutout	23" x 11"
2'10"	Glass	22" x 10"
3'0"		

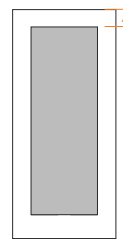
A = 4.0"



HALF LITE
HL4

2'8"	Cutout	23" x 37"
2'10"	Glass	22" x 36"
3'0"		

A = 5.0"



FULL LITE
FL7

2'8"	Cutout	23" x 65"
2'10"	Glass	22" x 64"
3'0"		

A = 6.0"

A = DISTANCE FROM TOP OF DOOR TO TOP OF OPENING

MATCHING SIDELITES



SLZ60

Available Widths:

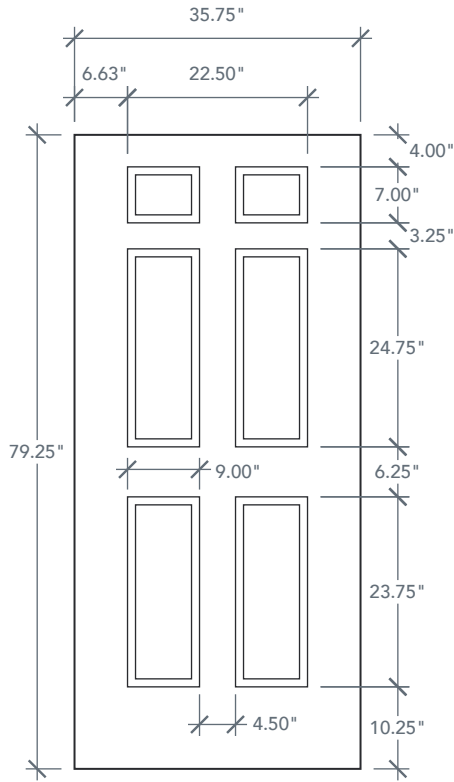
- 1' 0"
- 1' 2"

6'8" DRZ6B SIX PANEL DOOR

10" BOTTOM RAIL

AVAILABLE SIZING

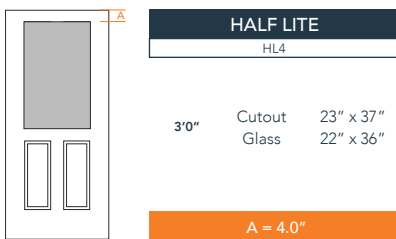
ARTWORK SCALE: 1/2"=1'



3' 0" x 6' 8"

NOTE: BY REQUEST, DOOR HEIGHT COMES IN VARYING DIMENSIONS TO A MINIMUM OF 79". EXCESS WILL BE TAKEN FROM BOTTOM RAIL. ALL OTHER DIMENSIONS WILL REMAIN THE SAME.

CUTOUTS & GLASS

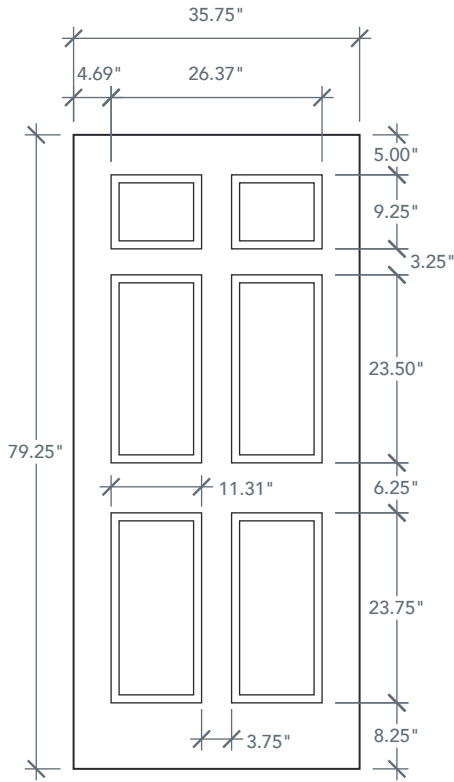


A = DISTANCE FROM TOP OF DOOR TO TOP OF OPENING

6'8" DRZ60 SIX PANEL DOOR

AVAILABLE SIZING

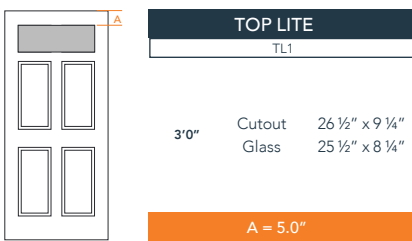
ARTWORK SCALE: 1/2"=1'



3' 0" x 6' 8"

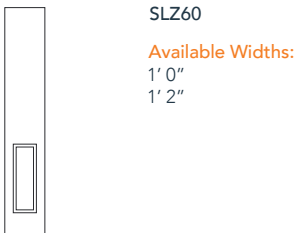
NOTE: BY REQUEST, DOOR HEIGHT COMES IN VARYING DIMENSIONS TO A MINIMUM OF 79". EXCESS WILL BE TAKEN FROM BOTTOM RAIL. ALL OTHER DIMENSIONS WILL REMAIN THE SAME.

CUTOUTS & GLASS



A = DISTANCE FROM TOP OF DOOR TO TOP OF OPENING

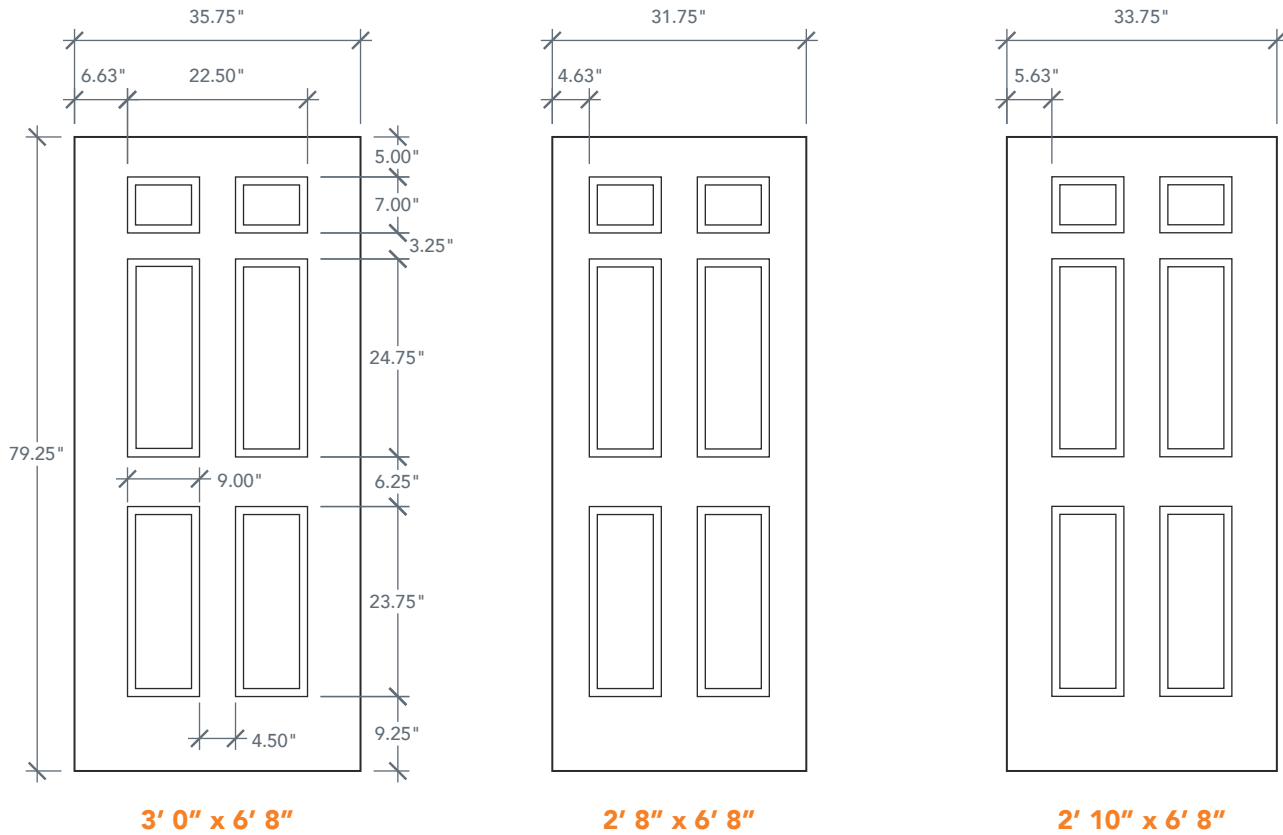
MATCHING SIDELITES



6'8" DRZ61 SIX PANEL UTILITY DOOR

AVAILABLE SIZING

ARTWORK SCALE: 1/2"=1'



NOTE: BY REQUEST, DOOR HEIGHT COMES IN VARYING DIMENSIONS TO A MINIMUM OF 79". EXCESS WILL BE TAKEN FROM BOTTOM RAIL. ALL OTHER DIMENSIONS WILL REMAIN THE SAME.

CUTOUTS & GLASS

Diagram	Configuration	Dimensions
	TWIN LITE HL2	2'8" Cutout 9" x 37" 2'10" Glass 8" x 36" 3'0"
	HALF LITE HL4	2'8" Cutout 23" x 37" 2'10" Glass 22" x 36" 3'0"
	FULL LITE FL7	2'8" Cutout 23" x 65" 2'10" Glass 22" x 64" 3'0"

A = 5.0"

A = DISTANCE FROM TOP OF DOOR TO TOP OF OPENING

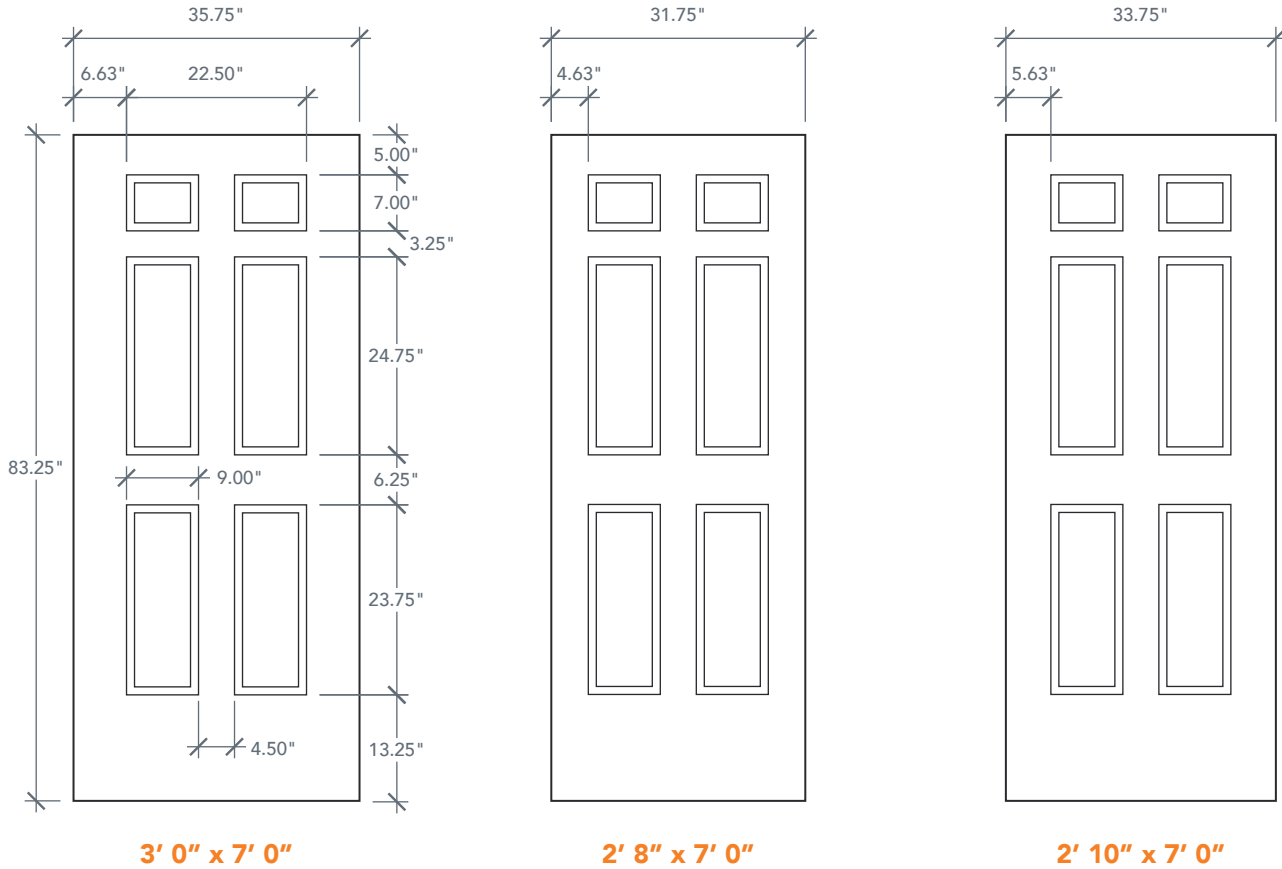
MATCHING SIDELITES

SLZ61
Available Widths:
1' 0"
1' 2"

7'0" DRZ6170 SIX PANEL UTILITY DOOR

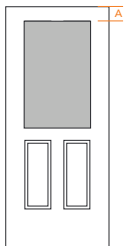
AVAILABLE SIZING

ARTWORK SCALE: 1/2"=1'



NOTE: BY REQUEST, DOOR HEIGHT COMES IN VARYING DIMENSIONS TO A MINIMUM OF 83". EXCESS WILL BE TAKEN FROM BOTTOM RAIL. ALL OTHER DIMENSIONS WILL REMAIN THE SAME.

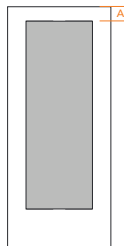
CUTOUTS & GLASS



HALF LITE
HL4

2'8" Cutout 23" x 37"
2'10" Glass 22" x 36"
3'0"

A = 5.0"



FULL LITE
FL7

2'8" Cutout 23" x 65"
2'10" Glass 22" x 64"
3'0"

A = 5.0"

A = DISTANCE FROM TOP OF DOOR TO TOP OF OPENING

MATCHING SIDELITES



SLZ6170

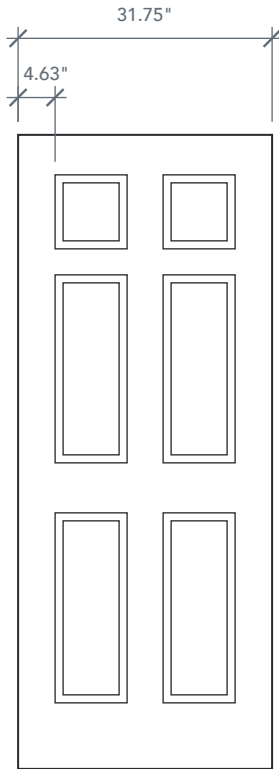
Available Widths:

1' 0"
1' 2"

6'8" DRZ63 TRUE SIX PANEL NARROW DOOR

AVAILABLE SIZING

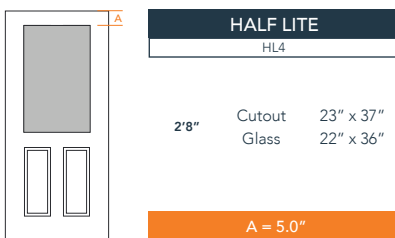
ARTWORK SCALE: 1/2"=1'



2' 8" x 6' 8"

NOTE: BY REQUEST, DOOR HEIGHT COMES IN VARYING DIMENSIONS TO A MINIMUM OF 79". EXCESS WILL BE TAKEN FROM BOTTOM RAIL. ALL OTHER DIMENSIONS WILL REMAIN THE SAME.

CUTOUTS & GLASS



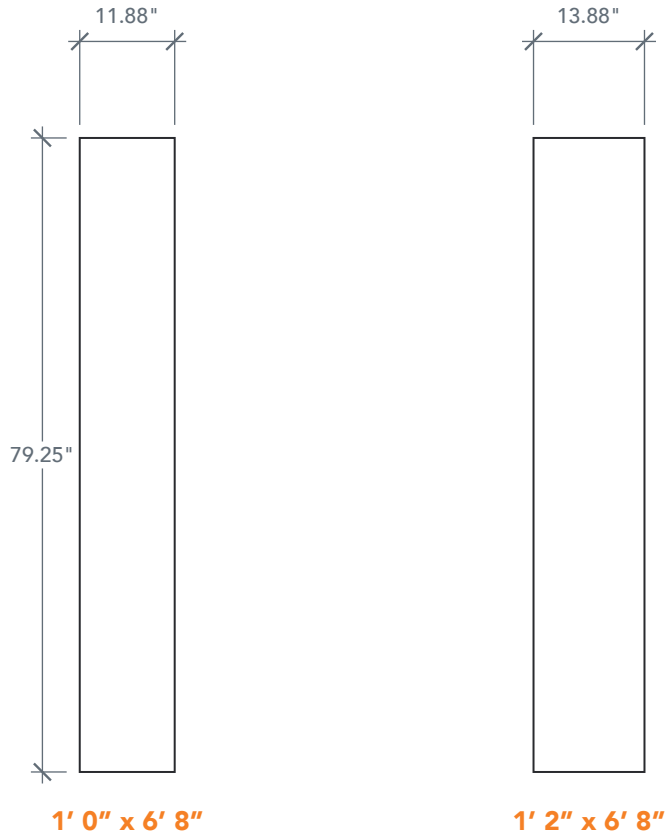
A = DISTANCE FROM TOP OF DOOR TO TOP OF OPENING

MATCHING SIDELITES



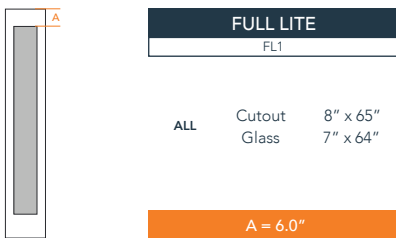
6'8" SLZ00 FLUSH SIDELITE

AVAILABLE SIZING



NOTE: BY REQUEST, SIDELITE HEIGHT COMES IN VARYING DIMENSIONS TO A MINIMUM OF 79". EXCESS WILL BE TAKEN FROM BOTTOM RAIL. ALL OTHER DIMENSIONS WILL REMAIN THE SAME.

CUTOUTS & GLASS



A = DISTANCE FROM TOP OF DOOR TO TOP OF OPENING

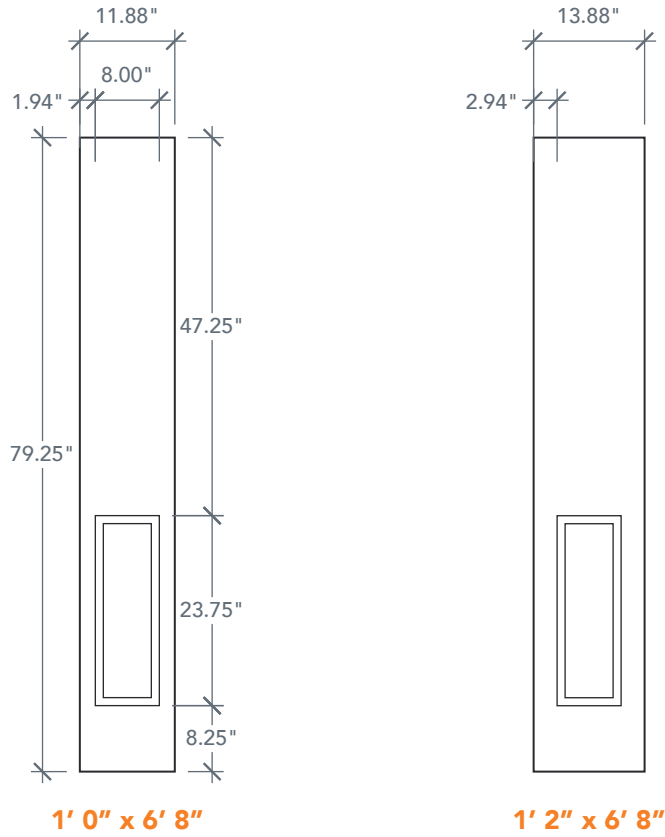
MATCHING DOORS



6'8" SLZ60 SIX PANEL SIDELITE

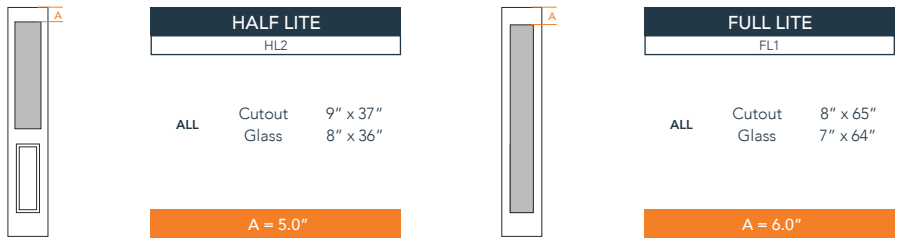
AVAILABLE SIZING

ARTWORK SCALE: 1/2"=1'



NOTE: BY REQUEST, SIDELITE HEIGHT COMES IN VARYING DIMENSIONS TO A MINIMUM OF 79". EXCESS WILL BE TAKEN FROM BOTTOM RAIL. ALL OTHER DIMENSIONS WILL REMAIN THE SAME.

CUTOUTS & GLASS



A = DISTANCE FROM TOP OF DOOR TO TOP OF OPENING

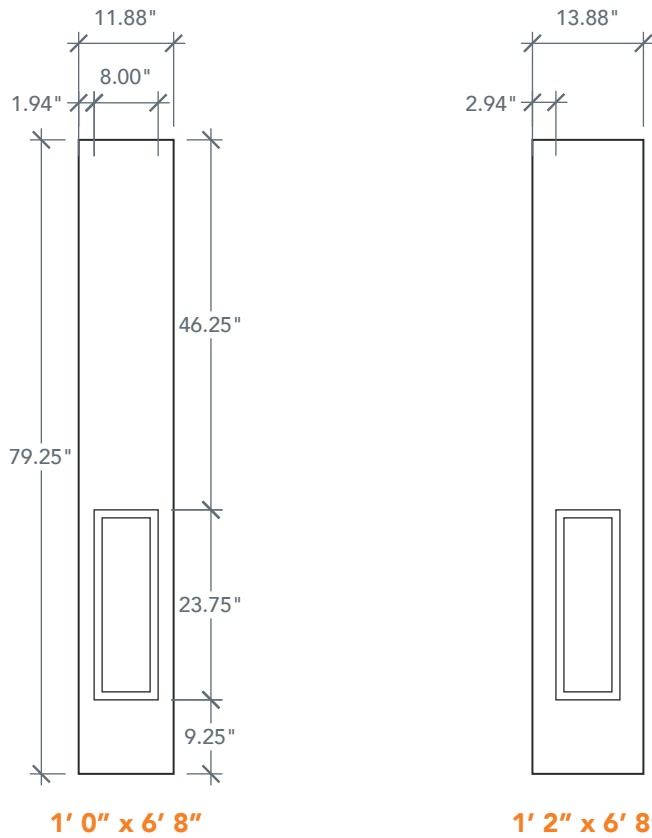
MATCHING DOORS



6'8" SLZ61 SIX PANEL UTILITY SIDELITE

AVAILABLE SIZING

ARTWORK SCALE: 1/2"=1'

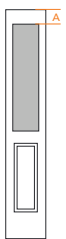


1' 0" x 6' 8"

1' 2" x 6' 8"

NOTE: BY REQUEST, SIDELITE HEIGHT COMES IN VARYING DIMENSIONS TO A MINIMUM OF 79". EXCESS WILL BE TAKEN FROM BOTTOM RAIL. ALL OTHER DIMENSIONS WILL REMAIN THE SAME.

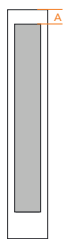
CUTOUTS & GLASS



HALF LITE
HL2

ALL Cutout 9" x 37"
Glass 8" x 36"

A = 5.0"



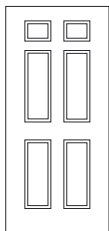
FULL LITE
FL1

ALL Cutout 8" x 65"
Glass 7" x 64"

A = 5.0"

A = DISTANCE FROM TOP OF DOOR TO TOP OF OPENING

MATCHING DOORS



DRZ61

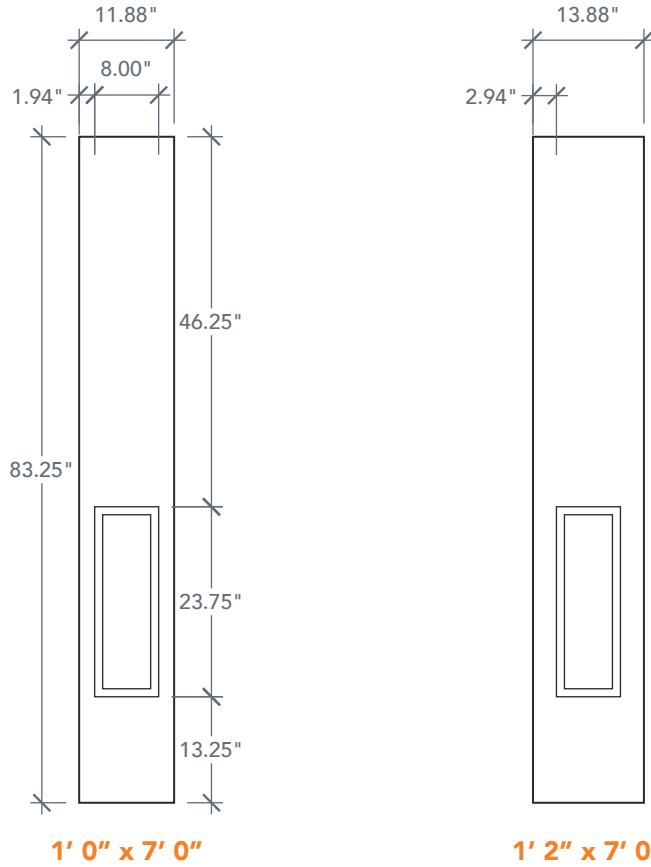
Available Widths:

- 2' 8"
- 2' 10"
- 3' 0"

7'0" SLZ6170 SIX PANEL UTILITY SIDELITE

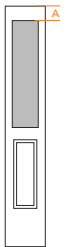
AVAILABLE SIZING

ARTWORK SCALE: 1/2"=1'



NOTE: BY REQUEST, SIDELITE HEIGHT COMES IN VARYING DIMENSIONS TO A MINIMUM OF 83". EXCESS WILL BE TAKEN FROM BOTTOM RAIL. ALL OTHER DIMENSIONS WILL REMAIN THE SAME.

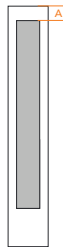
CUTOUTS & GLASS



HALF LITE	
HL2	

ALL	Cutout	9" x 37"
	Glass	8" x 36"

A = 5.0"



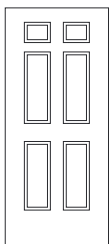
FULL LITE	
FL1	

ALL	Cutout	8" x 65"
	Glass	7" x 64"

A = 5.0"

A = DISTANCE FROM TOP OF DOOR TO TOP OF OPENING

MATCHING DOORS



DRZ6170

Available Widths:

- 2' 8"
- 2' 10"
- 3' 0"

OAK SERIES

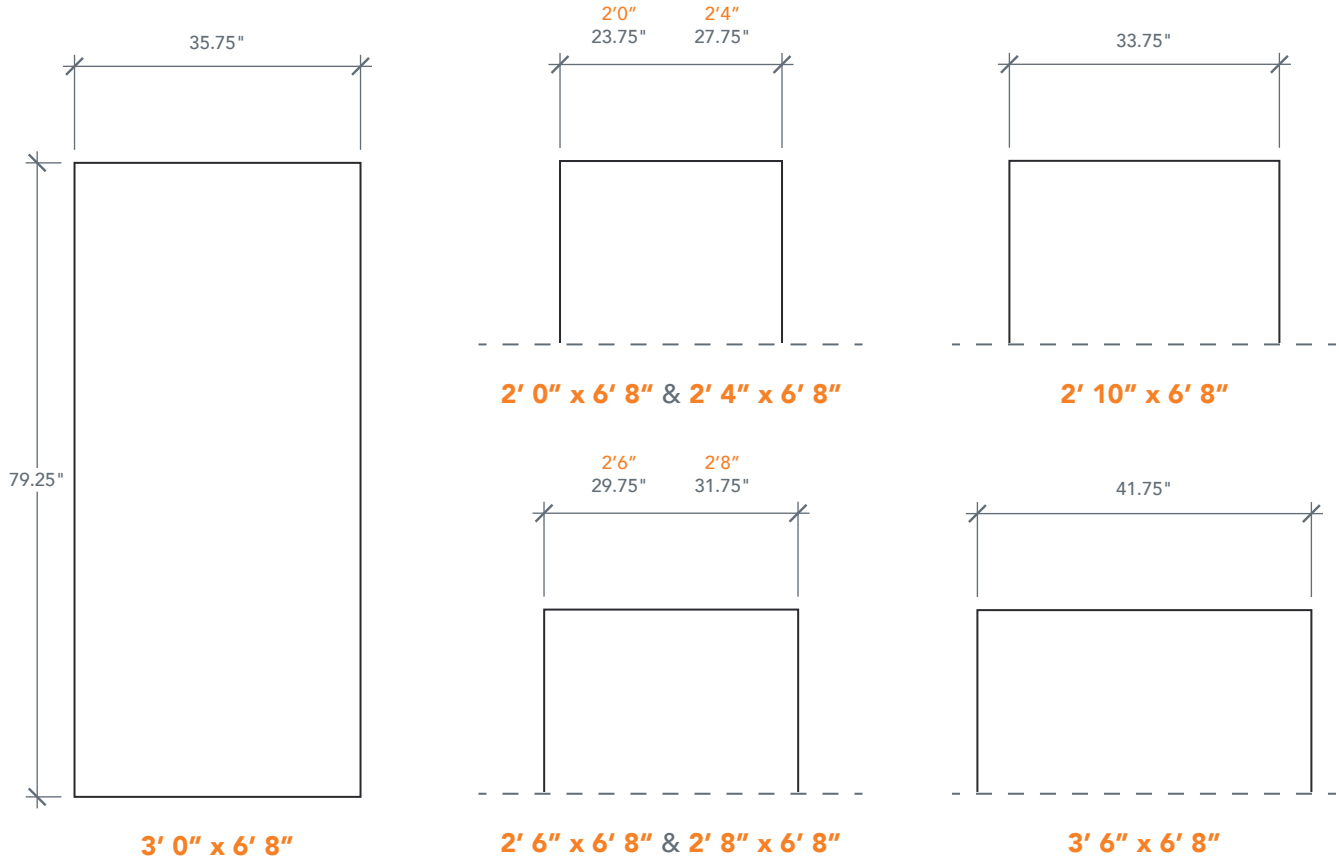
You can't go wrong selecting a door from Plastpro's most popular and finest series; The Oak Series. The rich, grain texture and intricate wood carvings deliver a classic look that all loved ones and guests will be infatuated by. The only thing stronger than the Oak grains door resistance is its magnetism and variability. We have many panel designs available so you can mix and match the Oak Series with our entire glass line to find the right, custom combination. Our Oak doors create a suitable look designed for any entryway and will never go out of style.

PG 154 - 195

6'8" DRG00 FLUSH DOOR

AVAILABLE SIZING

ARTWORK SCALE: 1/2"=1'



NOTE: BY REQUEST, DOOR HEIGHT COMES IN VARYING DIMENSIONS TO A MINIMUM OF 79". EXCESS WILL BE TAKEN FROM BOTTOM RAIL. ALL OTHER DIMENSIONS WILL REMAIN THE SAME.

CUTOUTS & GLASS

	FULL LITE	
	FL5	
2'6"	Cutout	21" x 65"
	Glass	20" x 64"
	FL7	
2'8"	Cutout	23" x 65"
2'10"	Glass	22" x 64"
3'0"		
A = 6.0"		

A = DISTANCE FROM TOP OF DOOR TO TOP OF OPENING

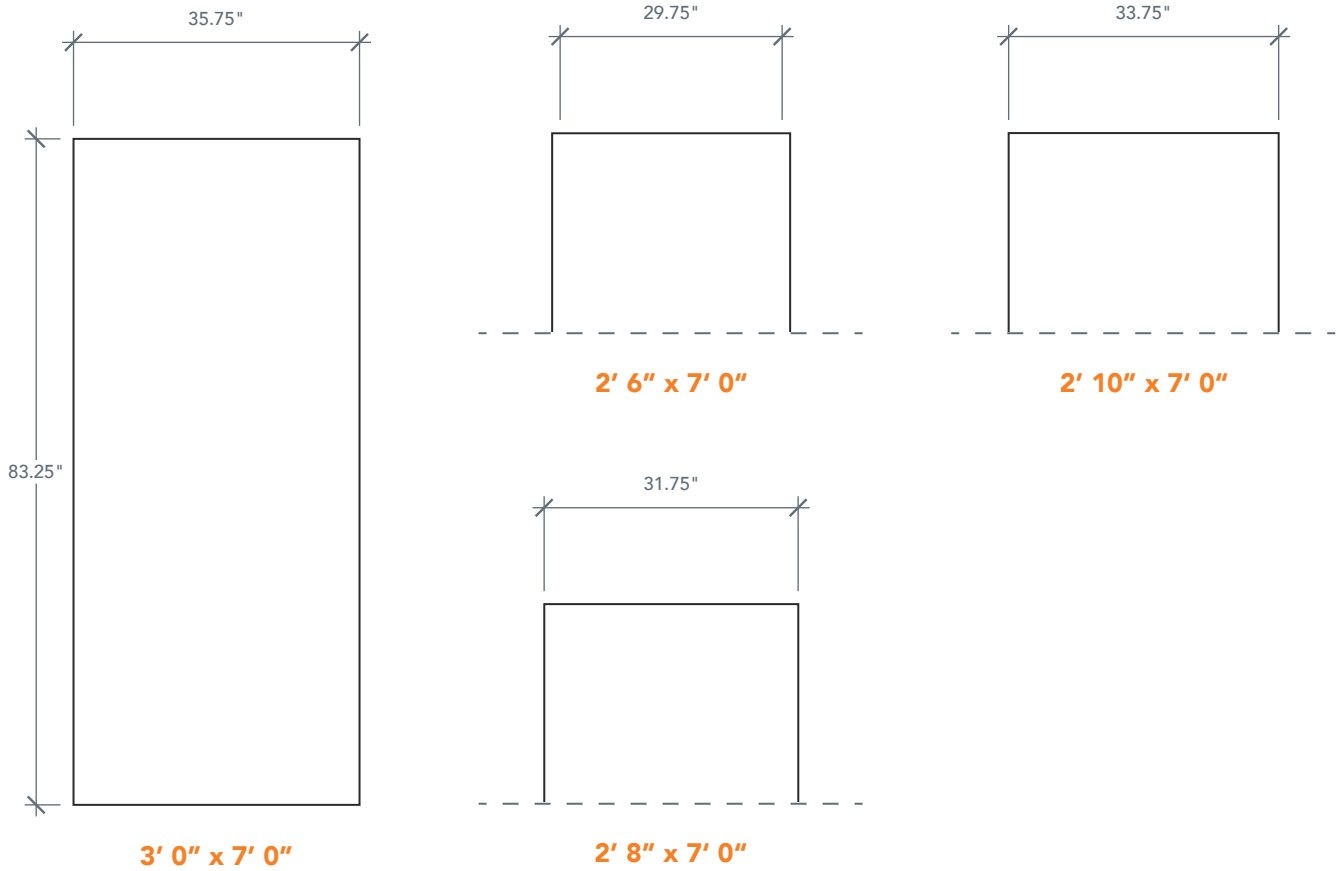
MATCHING SIDELITES

	SLG00
	Available Widths:
	1'0"
	1'2"

7'0" DRG0070 FLUSH DOOR

AVAILABLE SIZING

ARTWORK SCALE: 1/2"=1'



NOTE: BY REQUEST, DOOR HEIGHT COMES IN VARYING DIMENSIONS TO A MINIMUM OF 83". EXCESS WILL BE TAKEN FROM BOTTOM RAIL. ALL OTHER DIMENSIONS WILL REMAIN THE SAME.

CUTOUTS & GLASS

	FULL LITE	
	FL5	
	2'6"	Cutout 21" x 65" Glass 20" x 64"
	FL7	
2'8"	Cutout 23" x 65"	
2'10"	Glass 22" x 64"	
3'0"		
A = 7.5"		

A = DISTANCE FROM TOP OF DOOR TO TOP OF OPENING

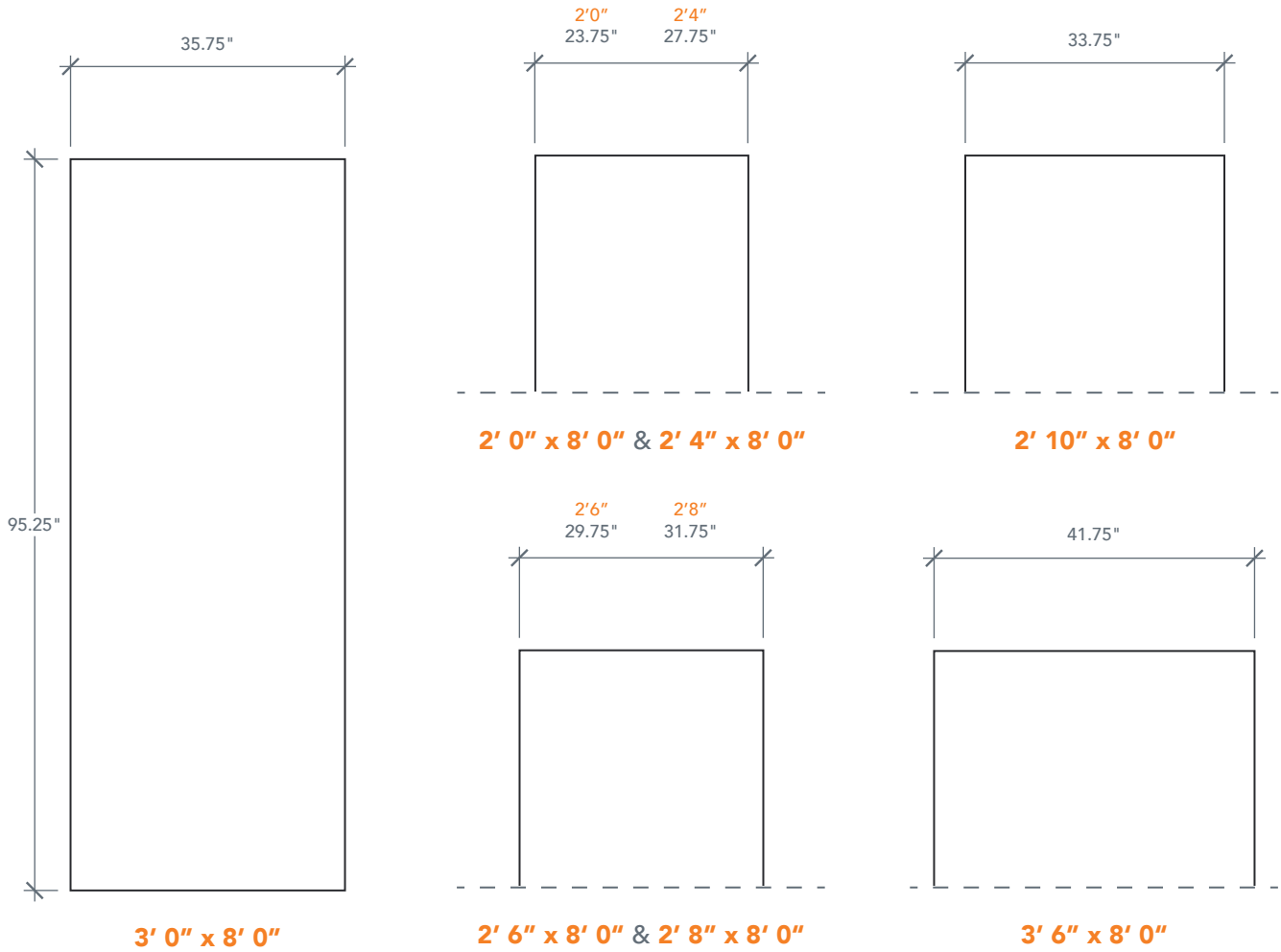
MATCHING SIDELITES

	SLG0070
	Available Widths:
	1' 0"
	1' 2"

8'0" DRG0080 FLUSH DOOR

AVAILABLE SIZING

ARTWORK SCALE: 1/2"=1'



NOTE: BY REQUEST, DOOR HEIGHT COMES IN VARYING DIMENSIONS TO A MINIMUM OF 95". EXCESS WILL BE TAKEN FROM BOTTOM RAIL. ALL OTHER DIMENSIONS WILL REMAIN THE SAME.

CUTOUTS & GLASS

A	FULL LITE	
	FL6	
2'6"	Cutout	21" x 81"
	Glass	20" x 80"
	FL8	
2'8"	Cutout	23" x 81"
2'10"	Glass	22" x 80"
3'0"		
A = 6.0"		

A = DISTANCE FROM TOP OF DOOR TO TOP OF OPENING

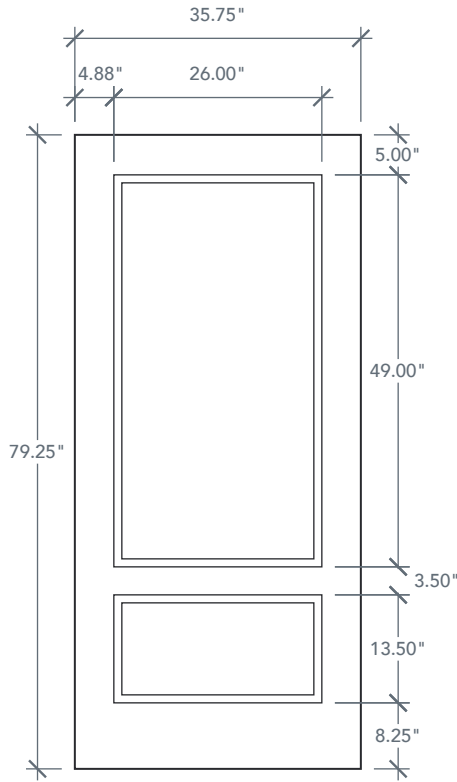
MATCHING SIDELITES

	SLG0080
	Available Widths:
	1' 0"
	1' 2"

6'8" DRG20 3/4 HERITAGE DOOR

AVAILABLE SIZING

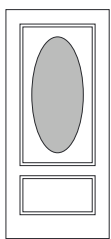
ARTWORK SCALE: 1/2"=1'



3' 0" x 6' 8"

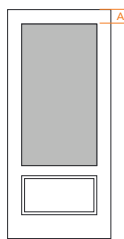
NOTE: BY REQUEST, DOOR HEIGHT COMES IN VARYING DIMENSIONS TO A MINIMUM OF 79". EXCESS WILL BE TAKEN FROM BOTTOM RAIL. ALL OTHER DIMENSIONS WILL REMAIN THE SAME.

CUTOUTS & GLASS



3/4 OVAL LITE
3V2

3'0" Cutout 17.84" x 40.12"
Glass 16.78" x 38.72"



3/4 LITE
343

3'0" Cutout 26" x 49"
Glass 25" x 48"

A = 5.0"

OVAL IS CENTERED IN PANEL HEIGHT

A = DISTANCE FROM TOP OF DOOR TO TOP OF OPENING

MATCHING SIDELITES



SLG3E

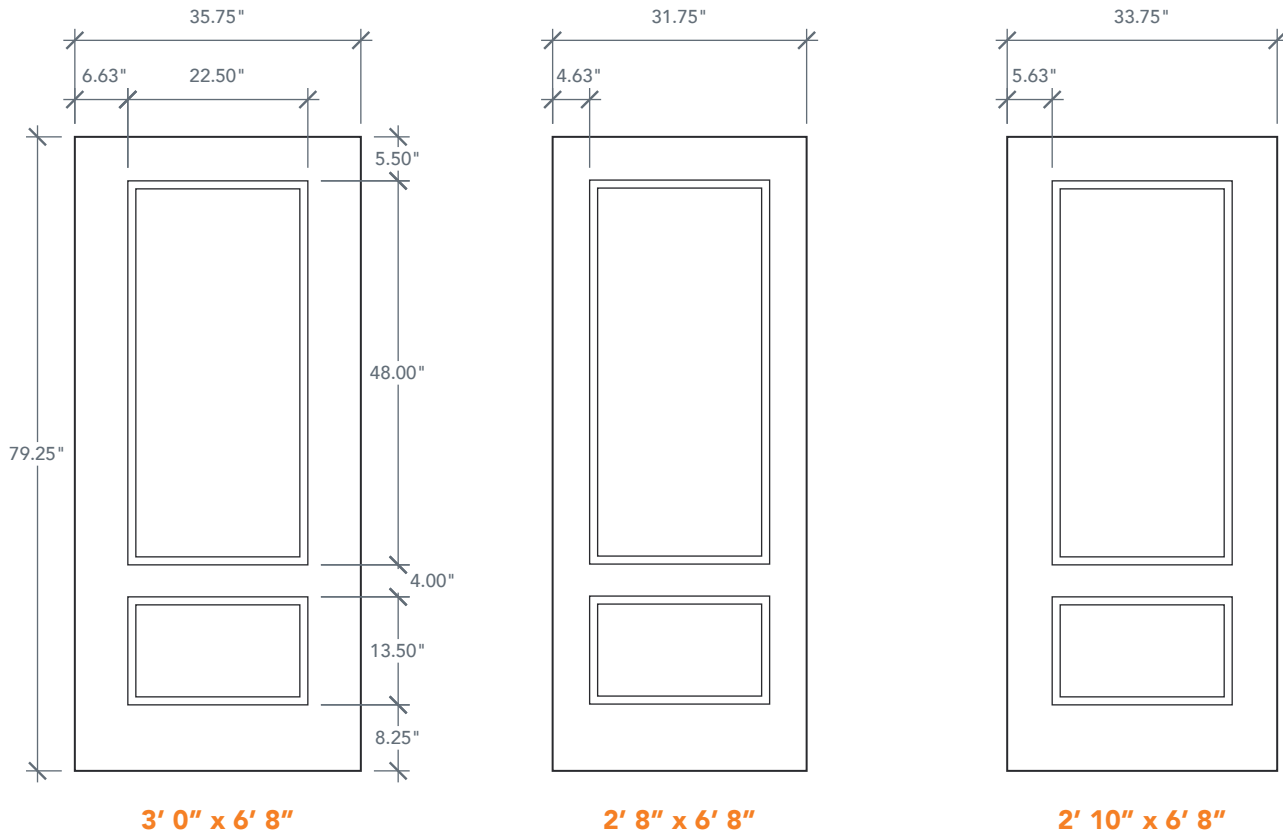
Available Widths:

1' 0"
1' 2"

6'8" DRG29 3/4 TWO PANEL DOOR

AVAILABLE SIZING

ARTWORK SCALE: 1/2"=1'



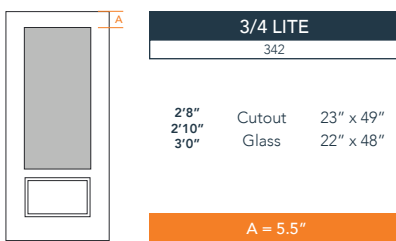
3' 0" x 6' 8"

2' 8" x 6' 8"

2' 10" x 6' 8"

NOTE: BY REQUEST, DOOR HEIGHT COMES IN VARYING DIMENSIONS TO A MINIMUM OF 79". EXCESS WILL BE TAKEN FROM BOTTOM RAIL. ALL OTHER DIMENSIONS WILL REMAIN THE SAME.

CUTOUTS & GLASS

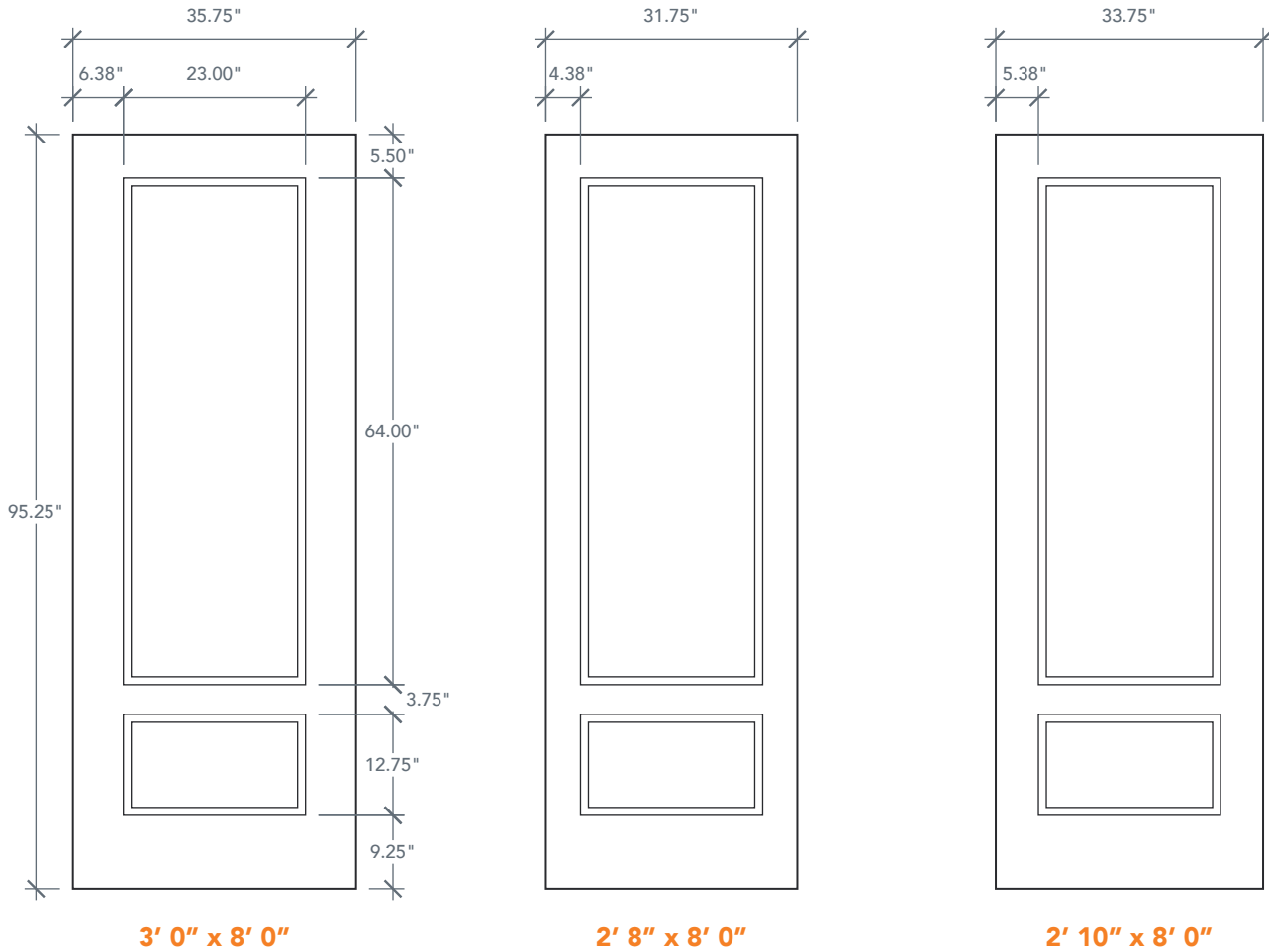


A = DISTANCE FROM TOP OF DOOR TO TOP OF OPENING

8'0" DRG2980 3/4 TWO PANEL DOOR

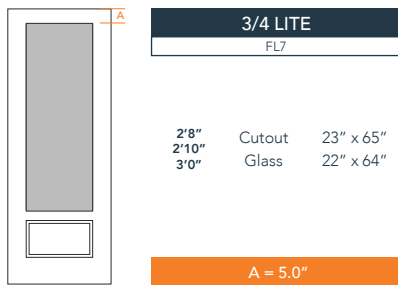
AVAILABLE SIZING

ARTWORK SCALE: 1/2"=1'



NOTE: BY REQUEST, DOOR HEIGHT COMES IN VARYING DIMENSIONS TO A MINIMUM OF 95". EXCESS WILL BE TAKEN FROM BOTTOM RAIL. ALL OTHER DIMENSIONS WILL REMAIN THE SAME.

CUTOUTS & GLASS



A = DISTANCE FROM TOP OF DOOR TO TOP OF OPENING

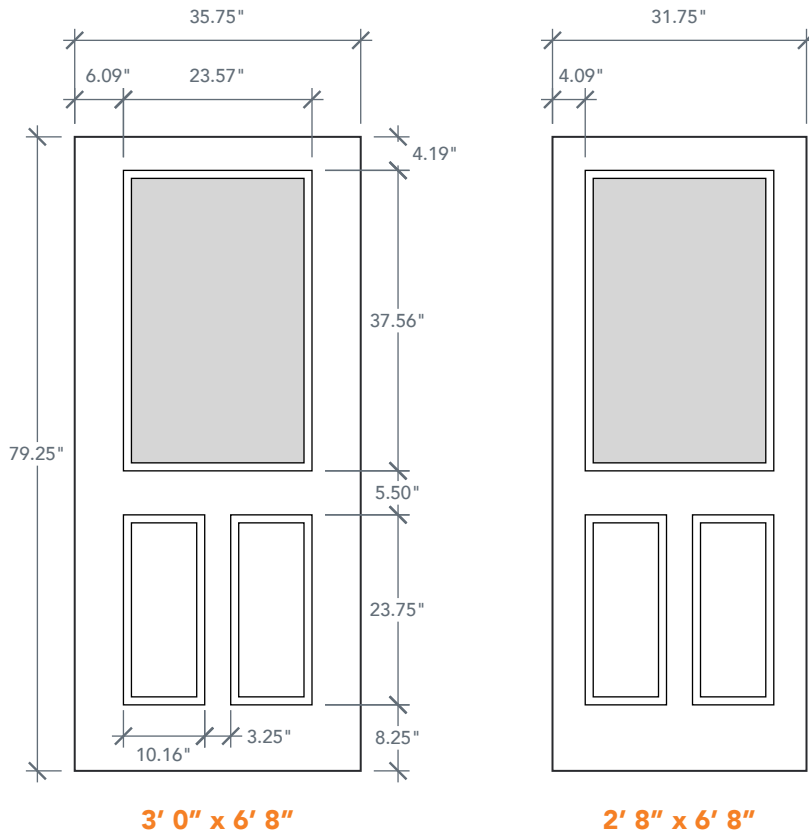
MATCHING SIDELITES



6'8" DRG12 FLUSH GLAZED HALF LITE DOOR

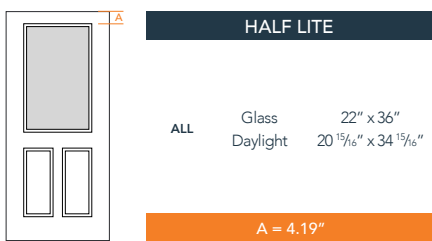
AVAILABLE SIZING

ARTWORK SCALE: 1/2"=1'



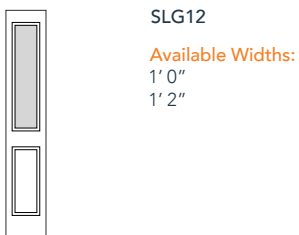
NOTE: BY REQUEST, DOOR HEIGHT COMES IN VARYING DIMENSIONS TO A MINIMUM OF 79". EXCESS WILL BE TAKEN FROM BOTTOM RAIL. ALL OTHER DIMENSIONS WILL REMAIN THE SAME.

GLASS & DAYLIGHT OPENING



A = DISTANCE FROM TOP OF DOOR TO TOP OF OPENING

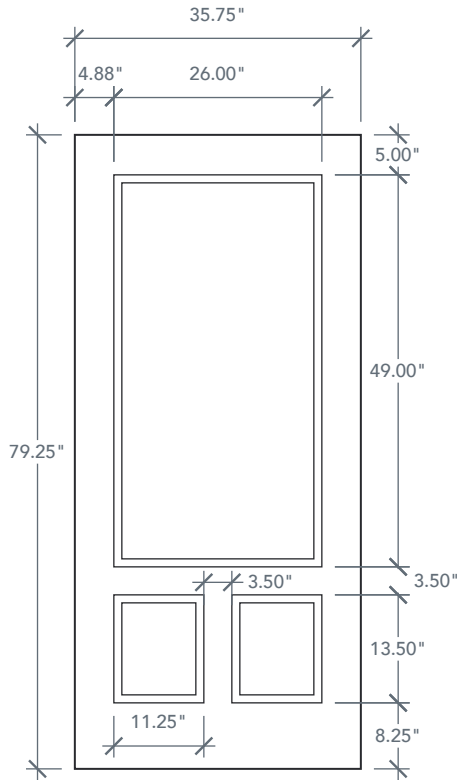
MATCHING SIDELITES



6'8" DRG3E 3/4 ELITE DOOR

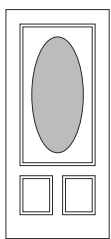
AVAILABLE SIZING

ARTWORK SCALE: 1/2"=1'



3' 0" x 6' 8"

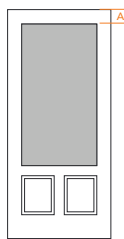
CUTOUTS & GLASS



3/4 OVAL LITE
3V2

3'0" Cutout 17.84" x 40.12"
Glass 16.78" x 38.72"

OVAL IS CENTERED IN PANEL HEIGHT



3/4 LITE
343

3'0" Cutout 26" x 49"
Glass 25" x 48"

A = 5.0"

A = DISTANCE FROM TOP OF DOOR TO TOP OF OPENING

MATCHING SIDELITES



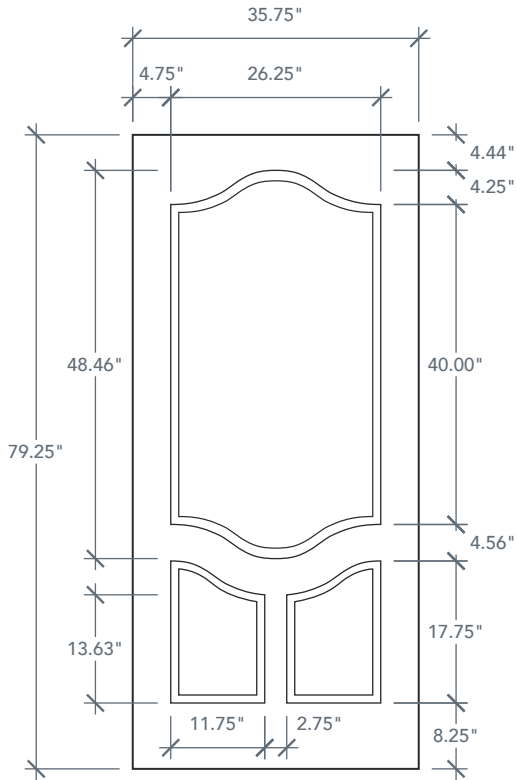
SLG3E

Available Widths:
1' 0"
1' 2"

6'8" DRG3P 3/4 PREMIUM DOOR

AVAILABLE SIZING

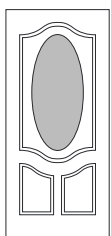
ARTWORK SCALE: 1/2"=1'



3' 0" x 6' 8"

NOTE: BY REQUEST, DOOR HEIGHT COMES IN VARYING DIMENSIONS TO A MINIMUM OF 79". EXCESS WILL BE TAKEN FROM BOTTOM RAIL. ALL OTHER DIMENSIONS WILL REMAIN THE SAME.

CUTOUTS & GLASS

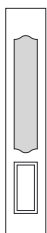


3/4 OVAL LITE
3V2

3'0" Cutout 17.84" x 40.12"
Glass 16.78" x 38.72"

OVAL IS CENTERED IN PANEL HEIGHT

MATCHING SIDELITES



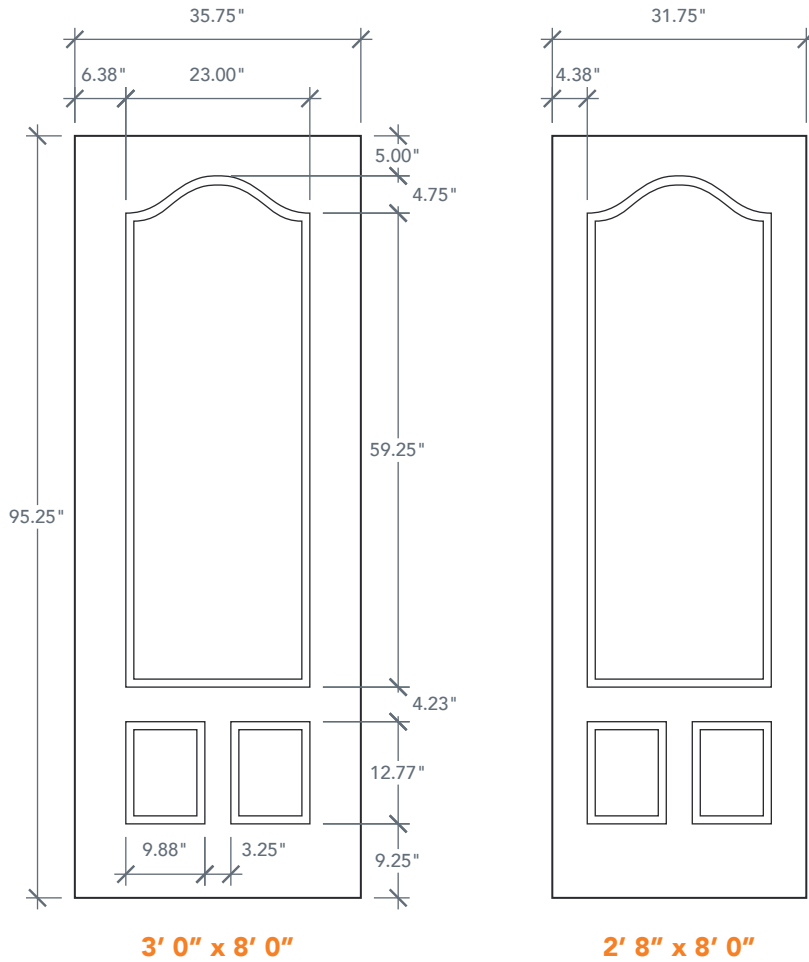
SLG3P

Available Widths:
1' 0"
1' 2"

8'0" DRG3080 3/4 THREE PANEL DOOR

AVAILABLE SIZING

ARTWORK SCALE: 1/2"=1'



NOTE: BY REQUEST, DOOR HEIGHT COMES IN VARYING DIMENSIONS TO A MINIMUM OF 99". EXCESS WILL BE TAKEN FROM BOTTOM RAIL. ALL OTHER DIMENSIONS WILL REMAIN THE SAME.

CUTOUTS & GLASS

	<p>3/4 OVAL LITE 3V3</p> <p>2'8" Cutout 14 3/5" x 54 3/5" 3'0" Glass 13" x 53"</p> <p>A = 9.75"</p>		<p>3/4 LITE FL7</p> <p>2'8" Cutout 23" x 65" 3'0" Glass 22" x 64"</p> <p>A = 5.0"</p>		<p>FULL LITE FL8</p> <p>2'8" Cutout 23" x 81" 3'0" Glass 22" x 80"</p> <p>A = 5.0"</p>
--	---	--	---	--	--

A = DISTANCE FROM TOP OF DOOR TO TOP OF OPENING

MATCHING SIDELITES

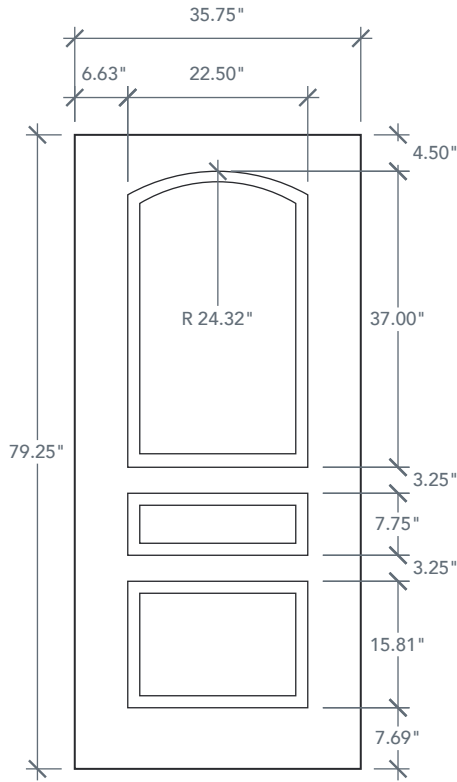
SLG3080

Available Widths:
1' 0"
1' 2"

6'8" DRG31 THREE PANEL DOOR

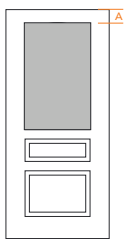
AVAILABLE SIZING

ARTWORK SCALE: 1/2"=1'



3' 0" x 6' 8"

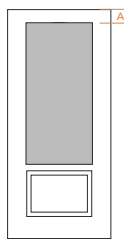
NOTE: BY REQUEST, DOOR HEIGHT COMES IN VARYING DIMENSIONS TO A MINIMUM OF 79". EXCESS WILL BE TAKEN FROM BOTTOM RAIL. ALL OTHER DIMENSIONS WILL REMAIN THE SAME.



HALF LITE
HL4

3'0" Cutout 23" x 37"
Glass 22" x 36"

A = 4.5"



3/4 LITE
342

3'0" Cutout 23" x 49"
Glass 22" x 48"

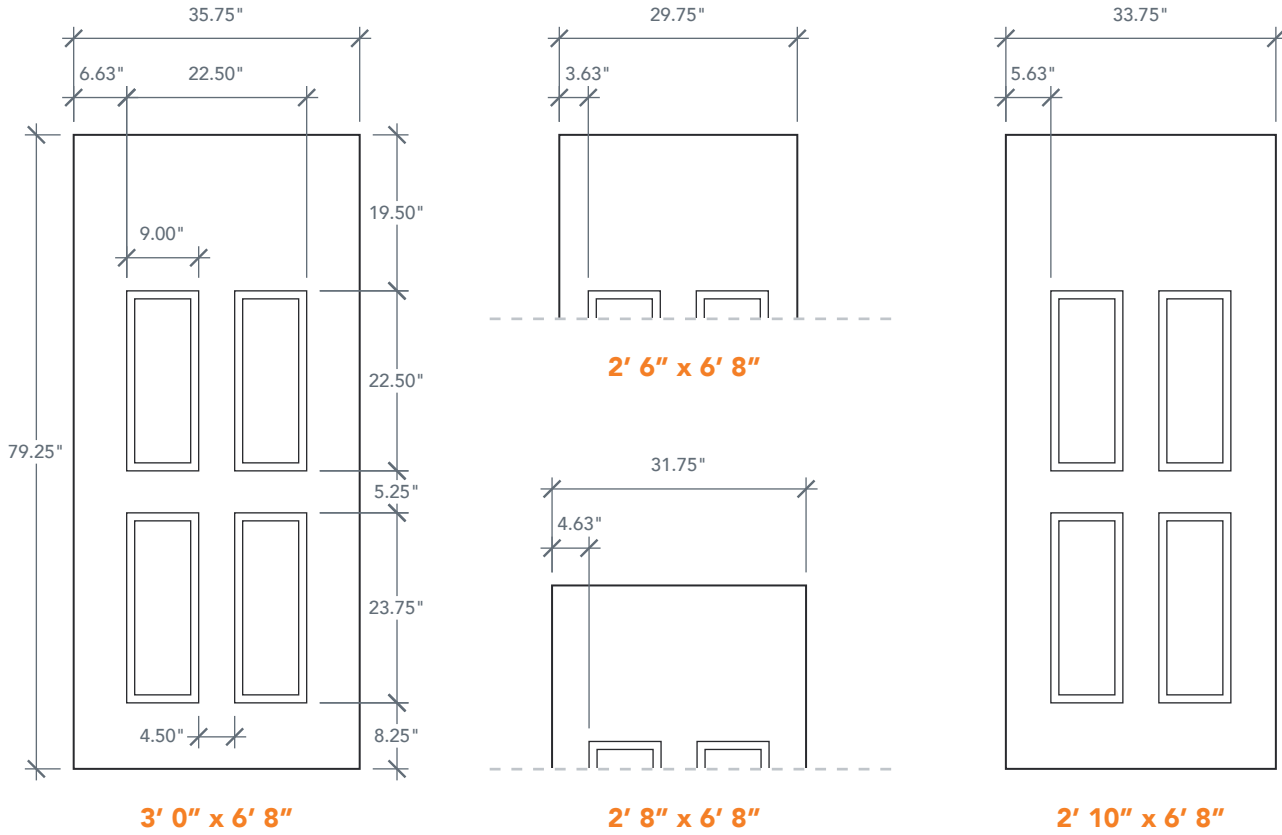
A = 4.5"

A = DISTANCE FROM TOP OF DOOR TO TOP OF OPENING

6'8" DRG40 FOUR PANEL BLANK TOP DOOR

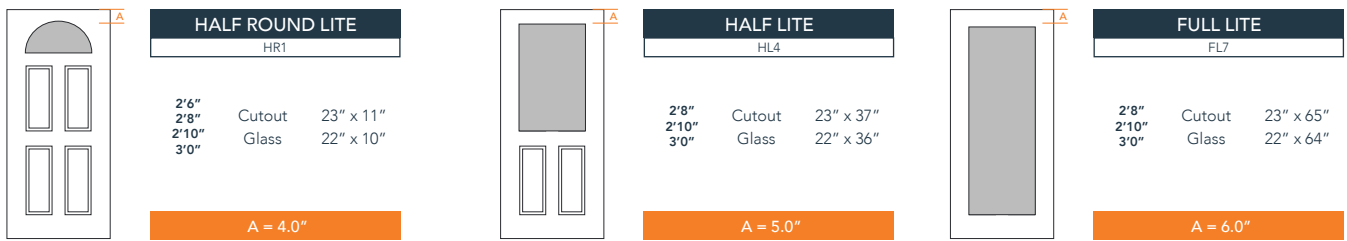
AVAILABLE SIZING

ARTWORK SCALE: 1/2"=1'



NOTE: BY REQUEST, DOOR HEIGHT COMES IN VARYING DIMENSIONS TO A MINIMUM OF 79". EXCESS WILL BE TAKEN FROM BOTTOM RAIL. ALL OTHER DIMENSIONS WILL REMAIN THE SAME.

CUTOUTS & GLASS



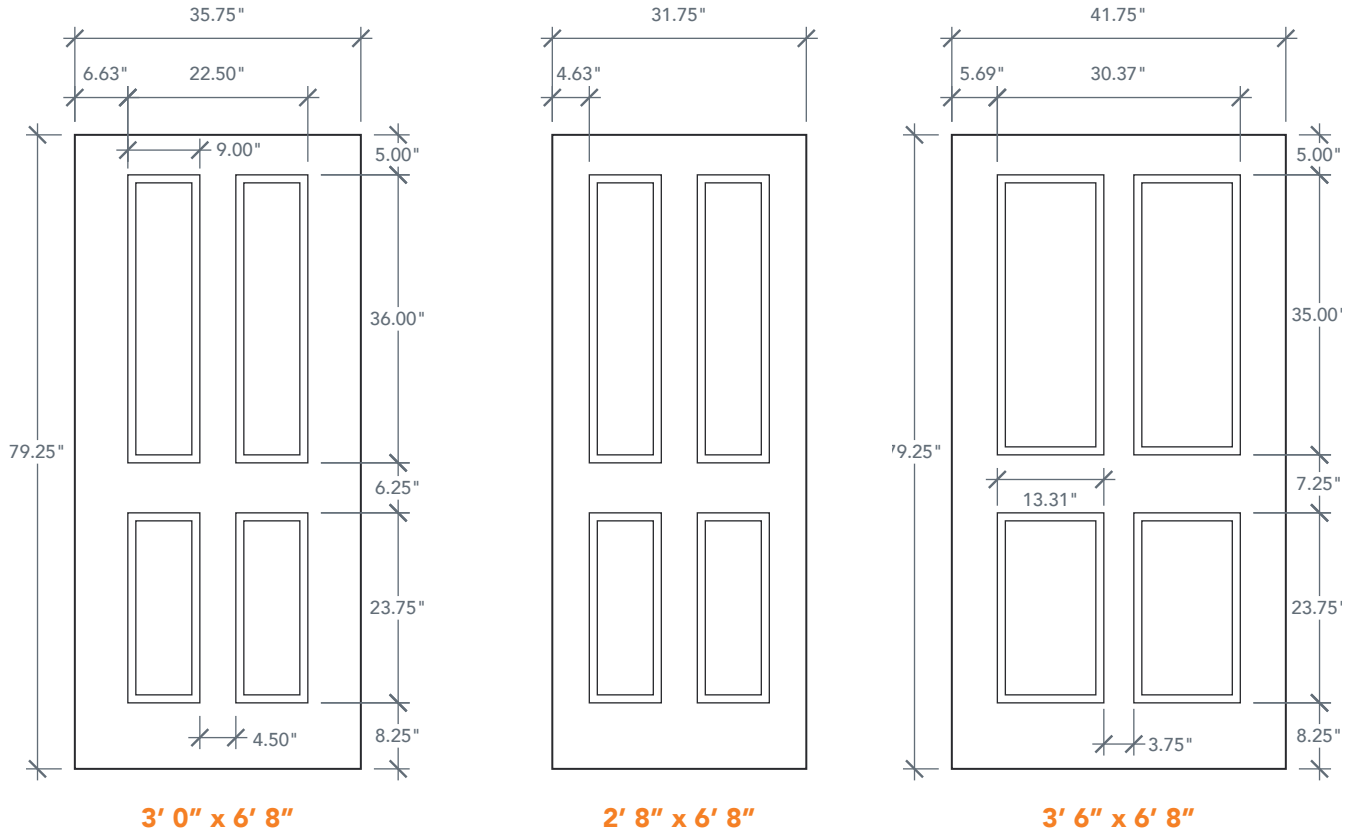
MATCHING SIDELITES



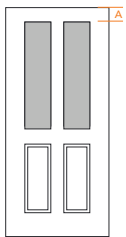
6'8" DRG41 TRUE FOUR PANEL DOOR

AVAILABLE SIZING

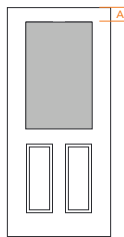
ARTWORK SCALE: 1/2"=1'



CUTOUTS & GLASS



TWIN LITE	
HL2	
2'6"	Cutout 9" x 37"
2'8"	
2'10"	Glass 8" x 36"
3'0"	
A = 5.0"	



HALF LITE	
HL4	
2'8"	Cutout 23" x 37"
2'10"	
3'0"	Glass 22" x 36"
A = 5.0"	

A = DISTANCE FROM TOP OF DOOR TO TOP OF OPENING

MATCHING SIDELITES



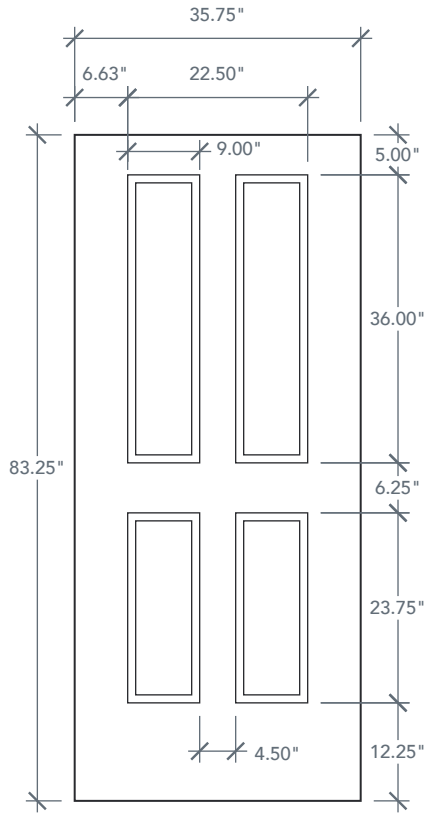
SLG60

Available Widths:
1' 0"
1' 2"
Note: does not match with 3'6" x 6'8"

7'0" DRG4170 TRUE FOUR PANEL DOOR

AVAILABLE SIZING

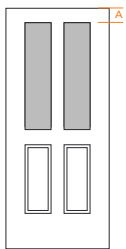
ARTWORK SCALE: 1/2"=1'



3' 0" x 7' 0"

NOTE: BY REQUEST, DOOR HEIGHT COMES IN VARYING DIMENSIONS TO A MINIMUM OF 89". EXCESS WILL BE TAKEN FROM BOTTOM RAIL. ALL OTHER DIMENSIONS WILL REMAIN THE SAME.

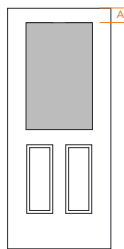
CUTOUTS & GLASS



TWIN LITE
HL2

3'0" Cutout 9" x 37"
Glass 8" x 36"

A = 5.0"



HALF LITE
HL4

3'0" Cutout 23" x 37"
Glass 22" x 36"

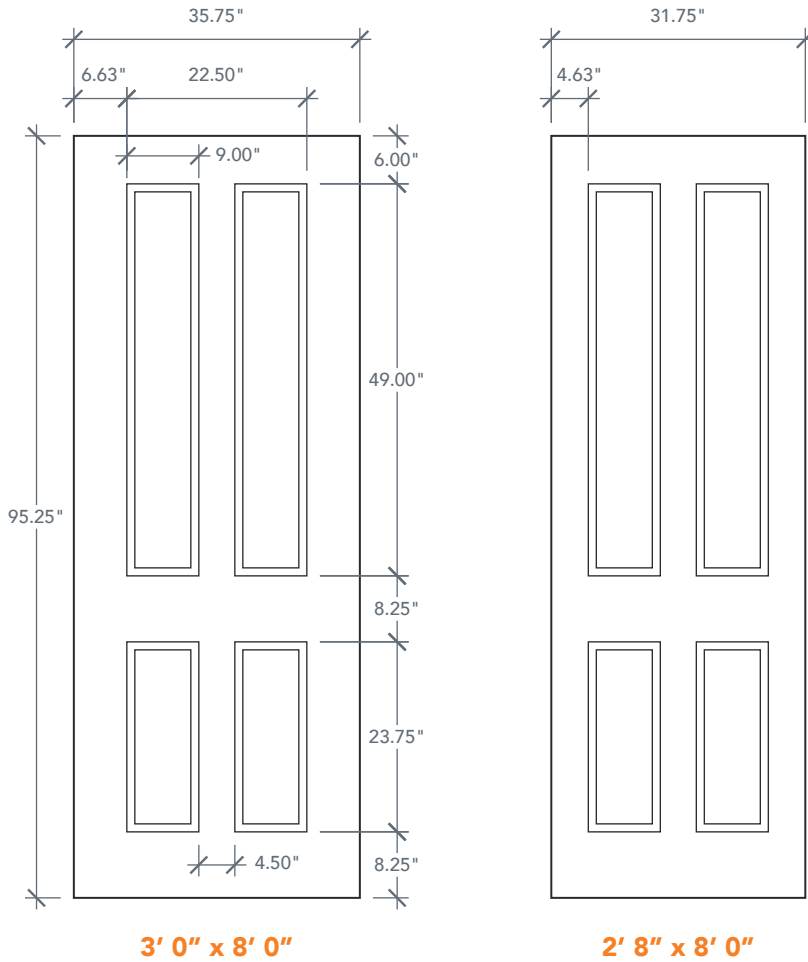
A = 5.0"

A = DISTANCE FROM TOP OF DOOR TO TOP OF OPENING

8'0" DRG4180 TRUE FOUR PANEL DOOR

AVAILABLE SIZING

ARTWORK SCALE: 1/2"=1'



3' 0" x 8' 0"

2' 8" x 8' 0"

NOTE: BY REQUEST, DOOR HEIGHT COMES IN VARYING DIMENSIONS TO A MINIMUM OF 95". EXCESS WILL BE TAKEN FROM BOTTOM RAIL. ALL OTHER DIMENSIONS WILL REMAIN THE SAME.

CUTOUTS & GLASS

Configuration	Product Code	Top Glass Dimensions	Bottom Glass Dimensions	Distance A
	TWIN LITE 341	2'8" x 49"	3'0" x 48"	A = 6.0"
	HALF LITE 342	2'8" x 49"	3'0" x 48"	A = 6.0"
	FULL LITE FL8	2'8" x 81"	3'0" x 80"	A = 6.0"

A = DISTANCE FROM TOP OF DOOR TO TOP OF OPENING

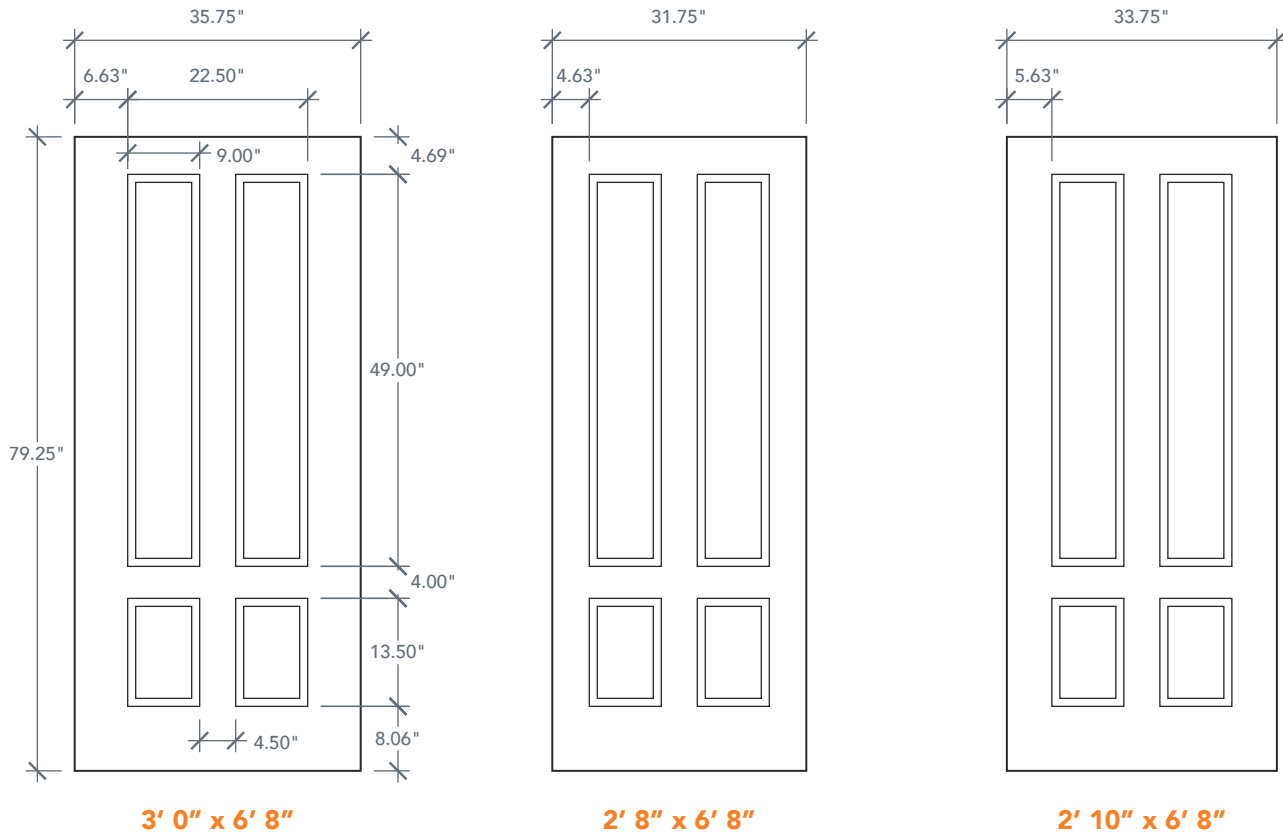
MATCHING SIDELITES

SLG4180
Available Widths:
1' 0"
1' 2"

6'8" DRG49 3/4 FOUR PANEL DOOR

AVAILABLE SIZING

ARTWORK SCALE: 1/2"=1'



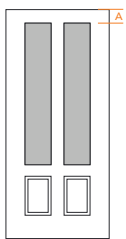
3' 0" x 6' 8"

2' 8" x 6' 8"

2' 10" x 6' 8"

NOTE: BY REQUEST, DOOR HEIGHT COMES IN VARYING DIMENSIONS TO A MINIMUM OF 79". EXCESS WILL BE TAKEN FROM BOTTOM RAIL. ALL OTHER DIMENSIONS WILL REMAIN THE SAME.

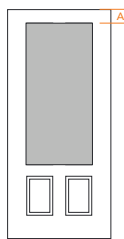
CUTOUTS & GLASS



TWIN LITE
341

2'8" Cutout 9" x 49"
2'10" Glass 8" x 48"
3'0"

A = 4.69"



3/4 LITE
342

2'8" Cutout 23" x 49"
2'10" Glass 22" x 48"
3'0"

A = 4.69"

A = DISTANCE FROM TOP OF DOOR TO TOP OF OPENING

MATCHING SIDELITES



SLG49

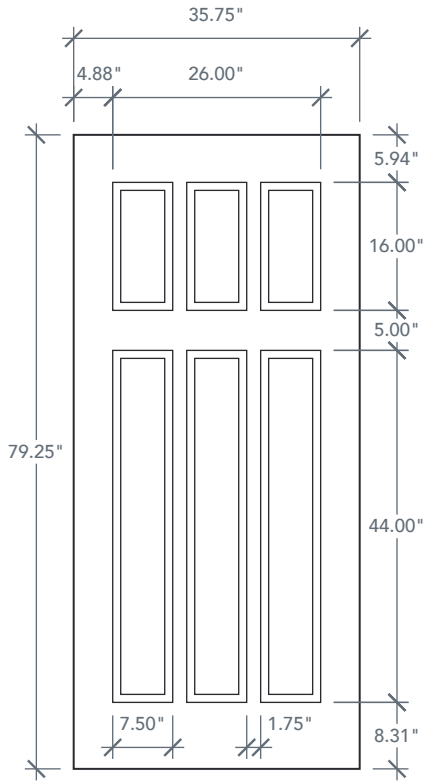
Available Widths:

1' 0"
1' 2"

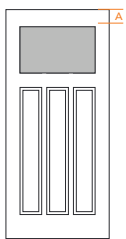
6'8" DRG6C SIX PANEL CRAFTSMAN DOOR

AVAILABLE SIZING

ARTWORK SCALE: 1/2"=1'



3' 0" x 6' 8"



TOP LITE
TL3

3'0" Cutout 26" x 16"
Glass 25" x 15"

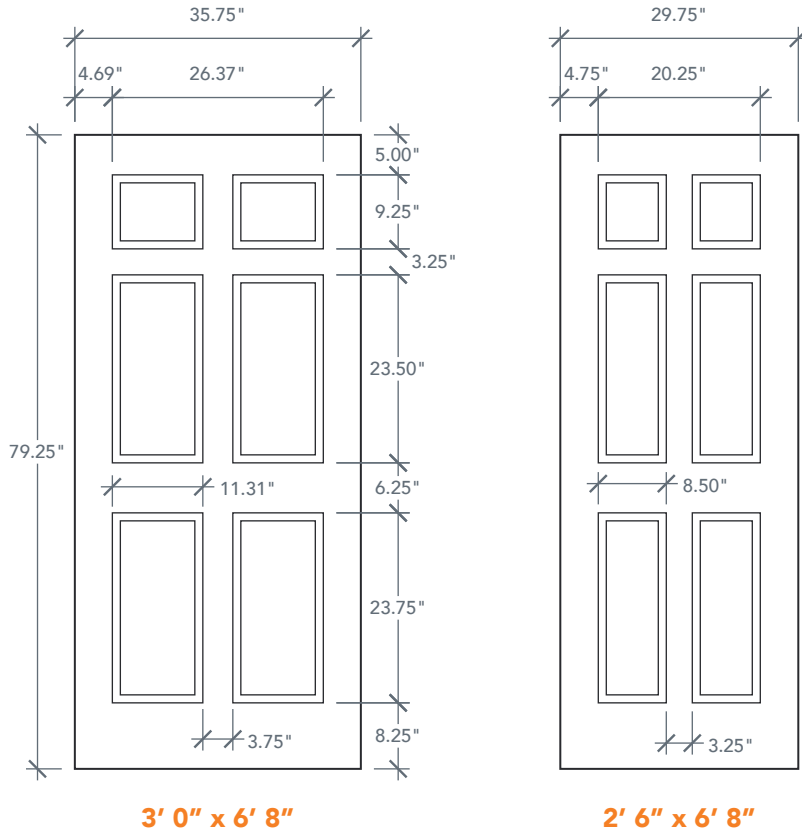
A = 5.94"

A = DISTANCE FROM TOP OF DOOR TO TOP OF OPENING

6'8" DRG60 SIX PANEL DOOR

AVAILABLE SIZING

ARTWORK SCALE: 1/2"=1'



3' 0" x 6' 8"

2' 6" x 6' 8"

NOTE: BY REQUEST, DOOR HEIGHT COMES IN VARYING DIMENSIONS TO A MINIMUM OF 79". EXCESS WILL BE TAKEN FROM BOTTOM RAIL. ALL OTHER DIMENSIONS WILL REMAIN THE SAME.

CUTOUTS & GLASS

TOP LITE	
TL5	
2'6"	Cutout 21" x 9 1/4" Glass 20" x 8 1/4"
TL1	
3'0"	Cutout 26 1/2" x 9 1/4" Glass 25 1/2" x 8 1/4"
A = 5.0"	

A = DISTANCE FROM TOP OF DOOR TO TOP OF OPENING

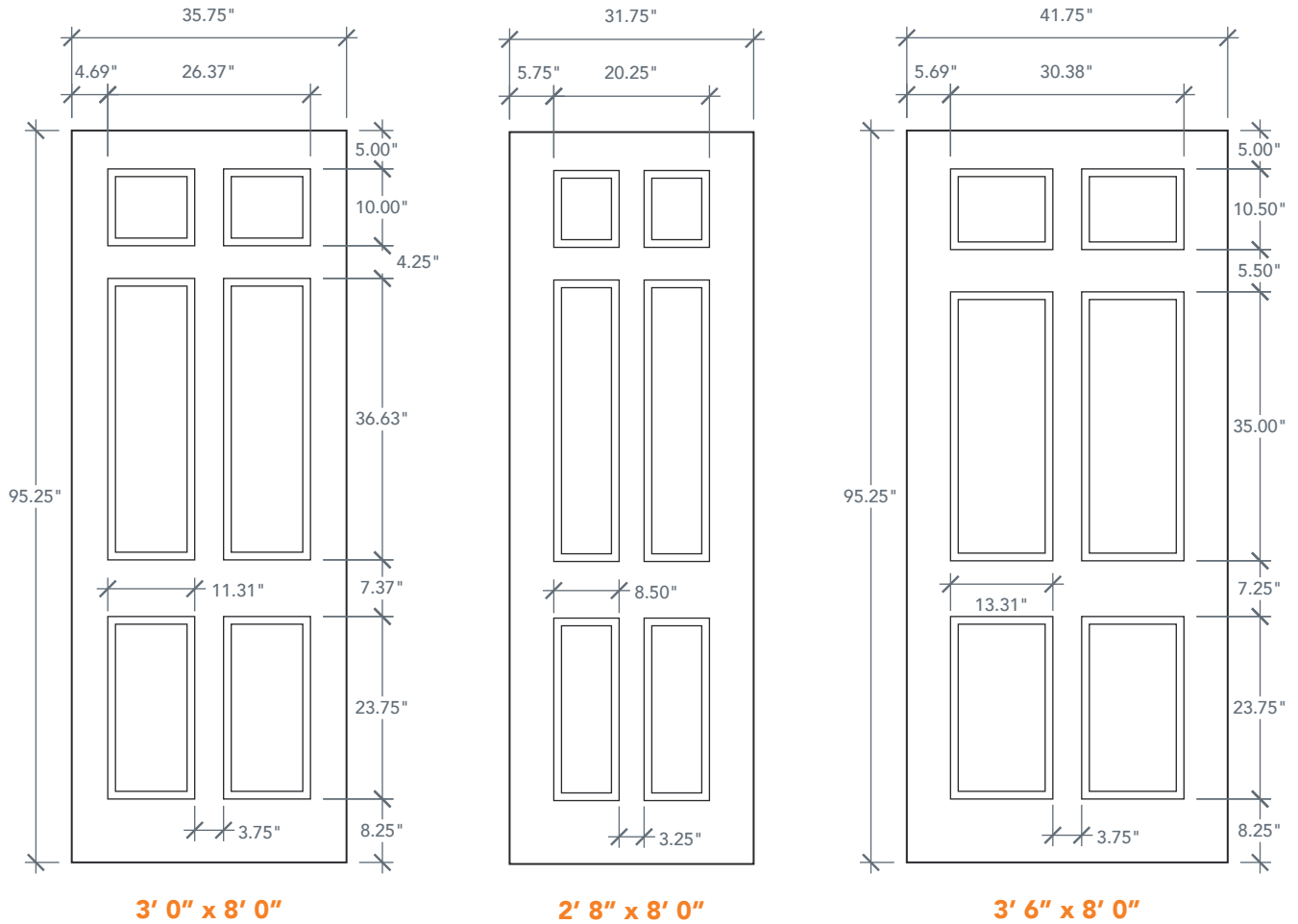
MATCHING SIDELITES

	SLG60
	Available Widths:
	1' 0" 1' 2"

8'0" DRG6080 SIX PANEL DOOR

AVAILABLE SIZING

ARTWORK SCALE: 1/2"=1'



NOTE: BY REQUEST, DOOR HEIGHT COMES IN VARYING DIMENSIONS TO A MINIMUM OF 99". EXCESS WILL BE TAKEN FROM BOTTOM RAIL. ALL OTHER DIMENSIONS WILL REMAIN THE SAME.

CUTOUTS & GLASS

HALF LITE	
HL6	
3'0"	Cutout 26 1/2" x 51"
	Glass 25 1/2" x 50"
346	
3'6"	Cutout 30 3/8" x 51 1/4"
	Glass 29 3/8" x 50 1/4"
A = 5.0"	

A = DISTANCE FROM TOP OF DOOR TO TOP OF OPENING

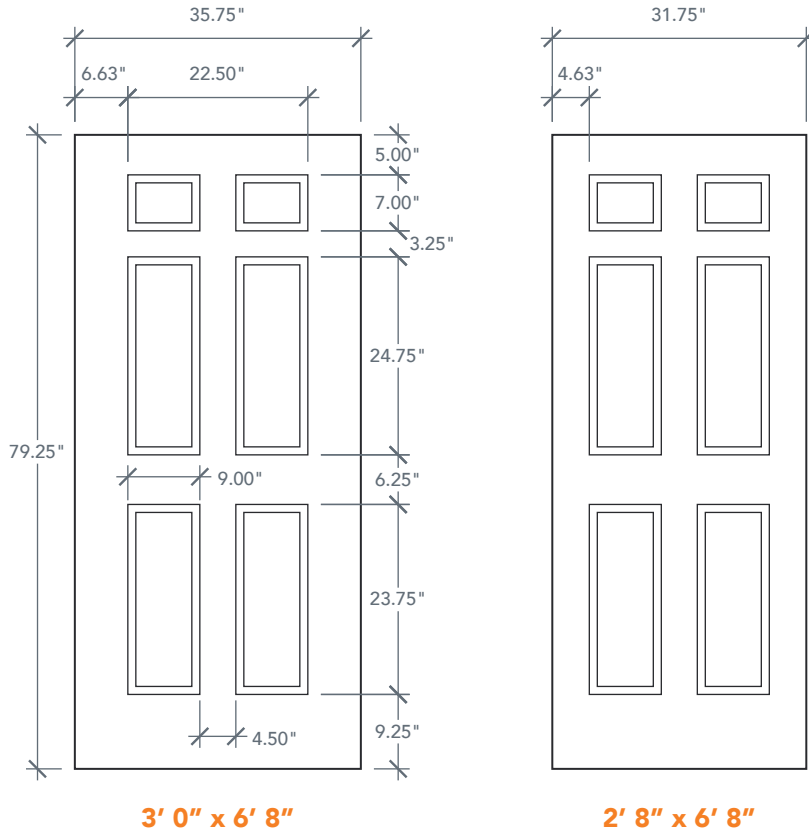
MATCHING SIDELITES

	SLG4180
	Available Widths:
	1' 0"
	1' 2"

6'8" DRG61 SIX PANEL UTILITY DOOR

AVAILABLE SIZING

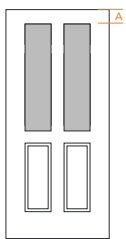
ARTWORK SCALE: 1/2"=1'



3' 0" x 6' 8"

2' 8" x 6' 8"

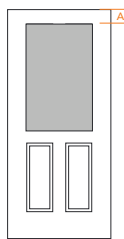
CUTOUTS & GLASS



TWIN LITE
HL2

2'8" Cutout 9" x 37"
3'0" Glass 8" x 36"

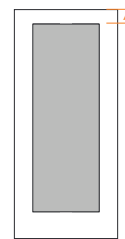
A = 5.0"



HALF LITE
HL4

2'8" Cutout 23" x 37"
3'0" Glass 22" x 36"

A = 5.0"



FULL LITE
FL7

2'8" Cutout 23" x 65"
3'0" Glass 22" x 64"

A = 5.0"

A = DISTANCE FROM TOP OF DOOR TO TOP OF OPENING

MATCHING SIDELITES



SLG61

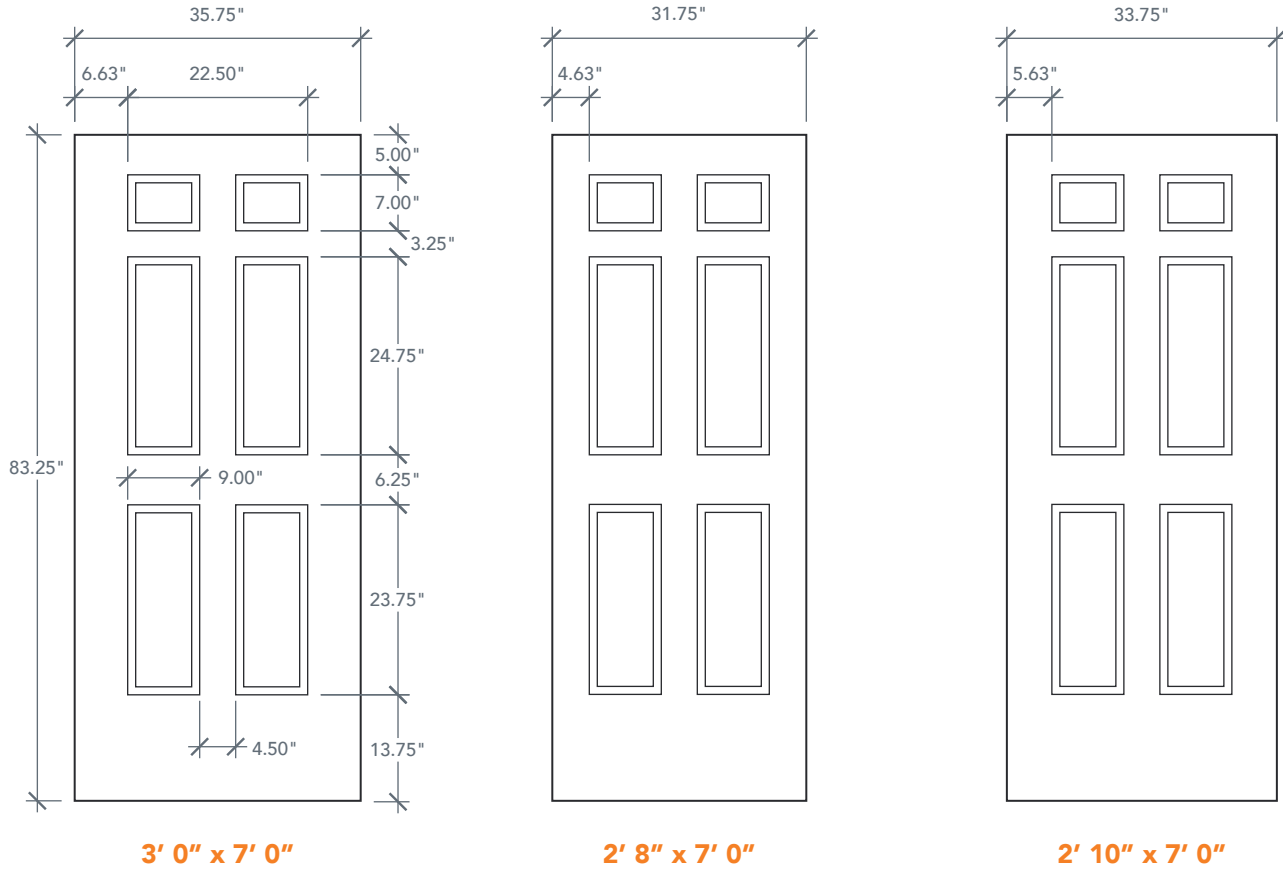
Available Widths:

- 1' 0"
- 1' 2"

7'0" DRG6170 SIX PANEL UTILITY DOOR

AVAILABLE SIZING

ARTWORK SCALE: 1/2"=1'



3' 0" x 7' 0"

2' 8" x 7' 0"

2' 10" x 7' 0"

NOTE: BY REQUEST, DOOR HEIGHT COMES IN VARYING DIMENSIONS TO A MINIMUM OF 89". EXCESS WILL BE TAKEN FROM BOTTOM RAIL. ALL OTHER DIMENSIONS WILL REMAIN THE SAME.

CUTOUTS & GLASS

HALF LITE		
HL4		
2'8"	Cutout	23" x 37"
2'10"	Glass	22" x 36"
3'0"		

A = 5.0"

FULL LITE		
FL7		
2'8"	Cutout	23" x 65"
2'10"	Glass	22" x 64"
3'0"		

A = 5.0"

A = DISTANCE FROM TOP OF DOOR TO TOP OF OPENING

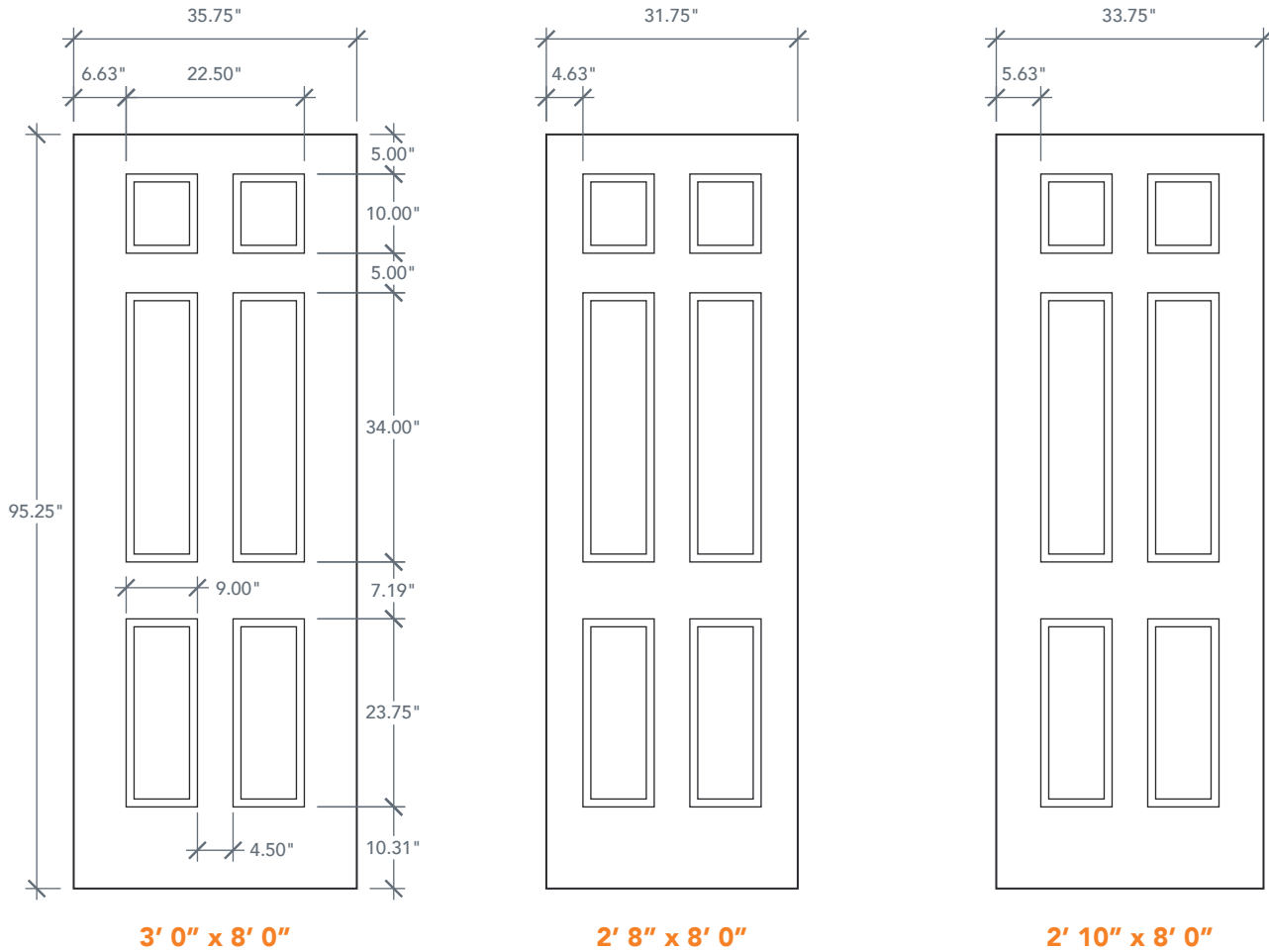
SL6170

Available Widths:
1' 0"
1' 2"

8'0" DRG6180 SIX PANEL UTILITY DOOR

AVAILABLE SIZING

ARTWORK SCALE: 1/2"=1'



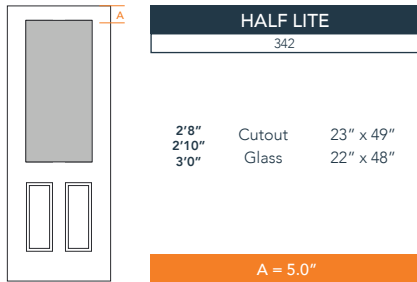
3' 0" x 8' 0"

2' 8" x 8' 0"

2' 10" x 8' 0"

NOTE: BY REQUEST, DOOR HEIGHT COMES IN VARYING DIMENSIONS TO A MINIMUM OF 95". EXCESS WILL BE TAKEN FROM BOTTOM RAIL. ALL OTHER DIMENSIONS WILL REMAIN THE SAME.

CUTOUTS & GLASS



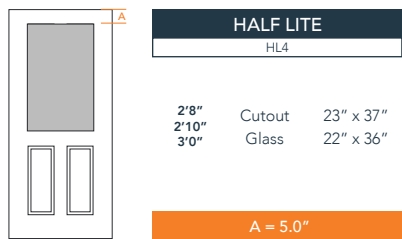
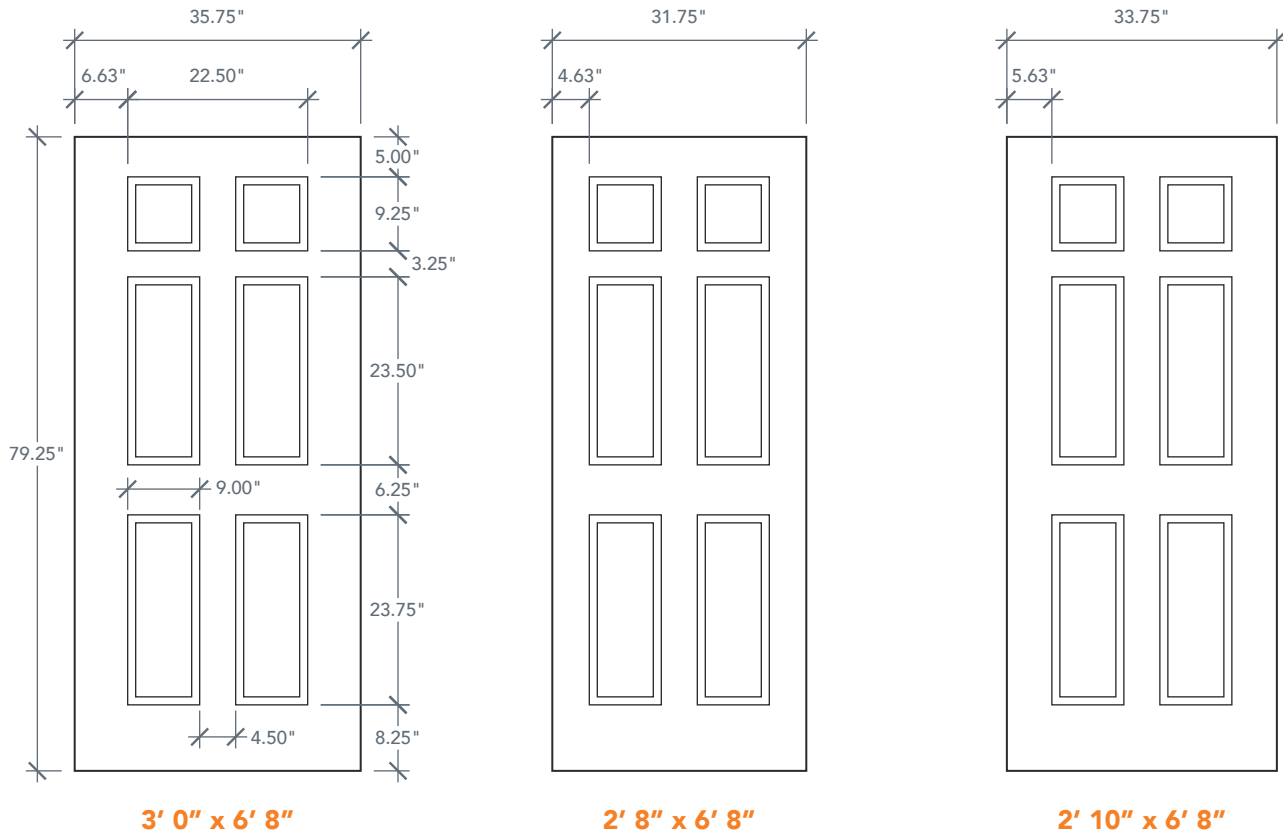
A = DISTANCE FROM TOP OF DOOR TO TOP OF OPENING

MATCHING SIDELITES

6'8" DRG63 TRUE SIX PANEL NARROW DOOR

AVAILABLE SIZING

ARTWORK SCALE: 1/2"=1'



A = DISTANCE FROM TOP OF DOOR TO TOP OF OPENING

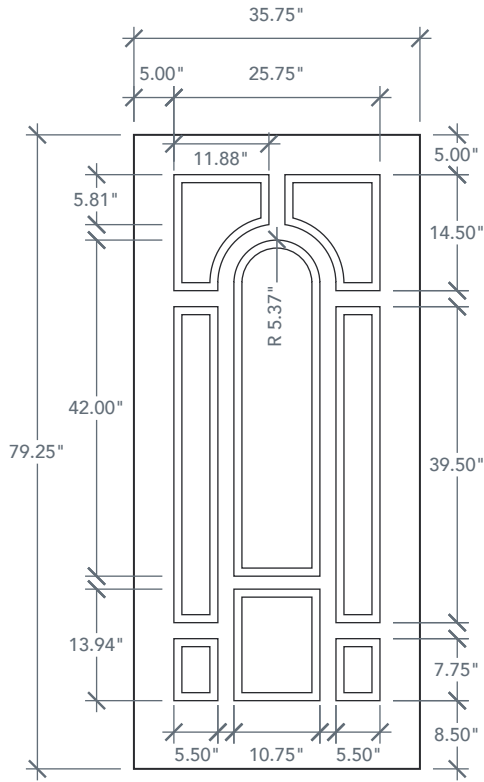
MATCHING SIDELITES



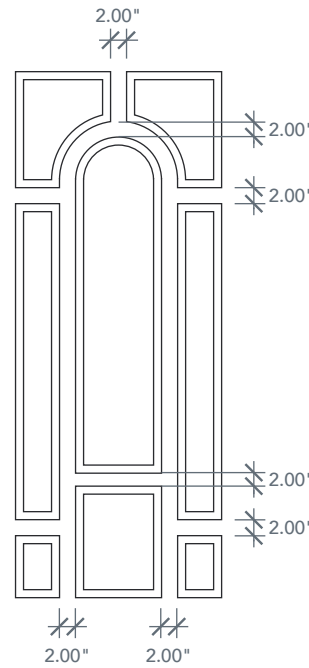
6'8" DRG80 EIGHT PANEL CENTER ARCH DOOR

AVAILABLE SIZING

ARTWORK SCALE: 1/2"=1'



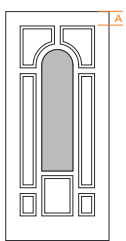
3' 0" x 6' 8"



Panel Spacing Detail

NOTE: BY REQUEST, DOOR HEIGHT COMES IN VARYING DIMENSIONS TO A MINIMUM OF 79". EXCESS WILL BE TAKEN FROM BOTTOM RAIL. ALL OTHER DIMENSIONS WILL REMAIN THE SAME.

CUTOUTS & GLASS



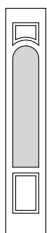
CENTER ARCH LITE
8C2

3'0" Cutout 10 3/4" x 42"
Glass 9 3/4" x 41"

A = 12.81"

A = DISTANCE FROM TOP OF DOOR TO TOP OF OPENING

MATCHING SIDELITES



SLG80

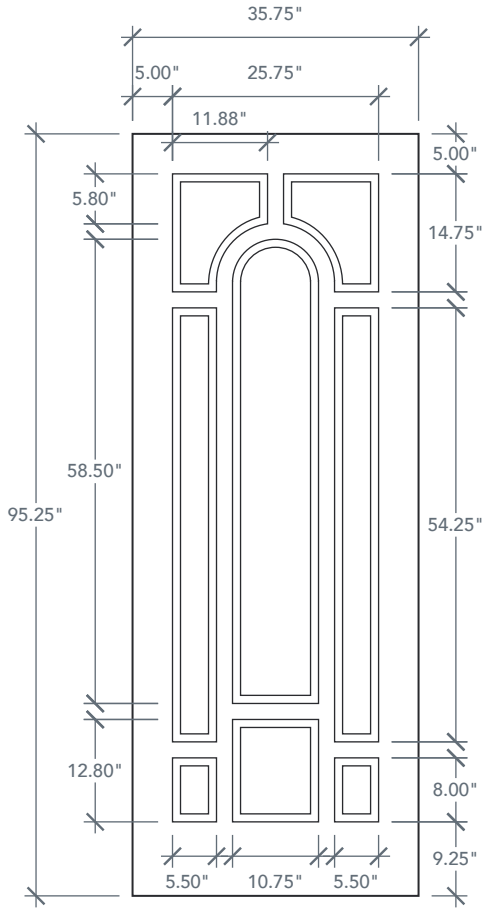
Available Widths:

1' 0"
1' 2"

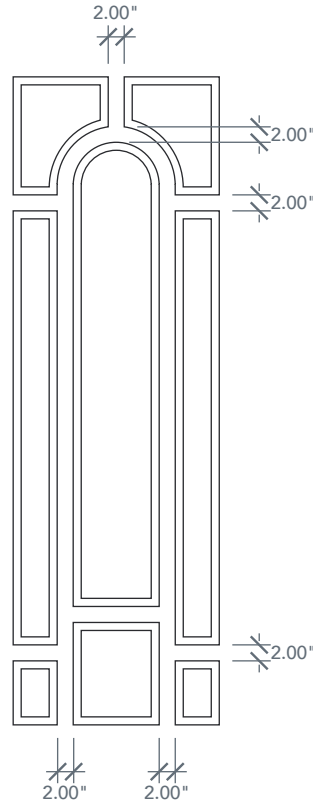
8'0" DRG8080 EIGHT PANEL CENTER ARCH DOOR

AVAILABLE SIZING

ARTWORK SCALE: 1/2"=1'



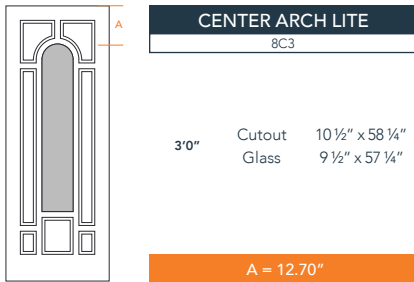
3' 0" x 8' 0"



Panel Spacing Detail

NOTE: BY REQUEST, DOOR HEIGHT COMES IN VARYING DIMENSIONS TO A MINIMUM OF 99". EXCESS WILL BE TAKEN FROM BOTTOM RAIL. ALL OTHER DIMENSIONS WILL REMAIN THE SAME.

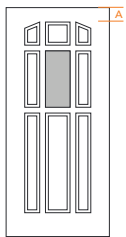
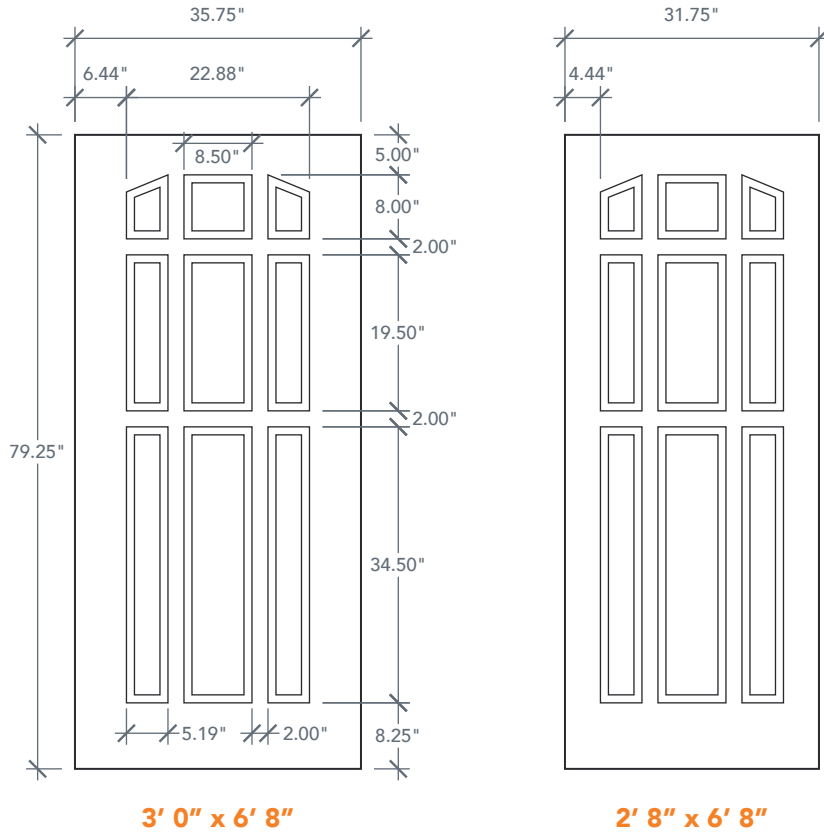
CUTOUTS & GLASS



A = DISTANCE FROM TOP OF DOOR TO TOP OF OPENING

6'8" DRG90 NINE PANEL DOOR

AVAILABLE SIZING



CENTER LITE
9P1

2'8" Cutout 8 ½" x 19 ½"
3'0" Glass 7 ½" x 18 ½"

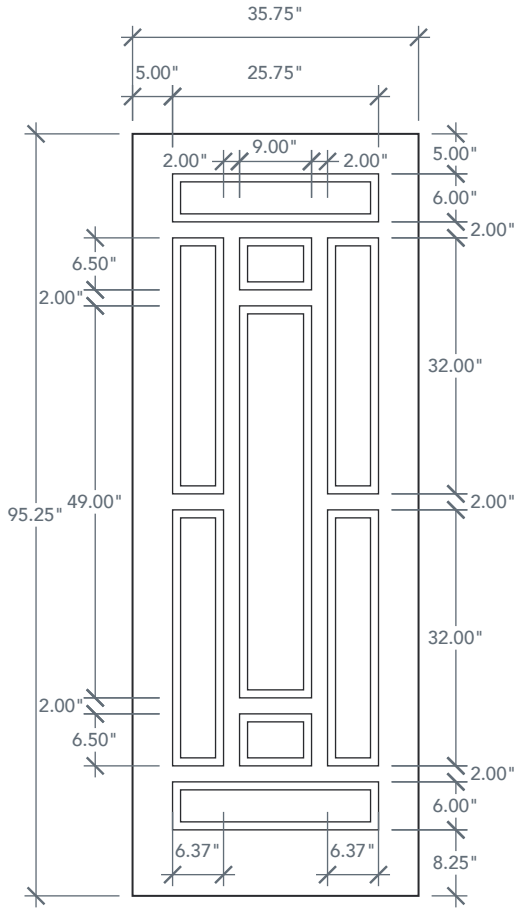
A = 15.0"

A = DISTANCE FROM TOP OF DOOR TO TOP OF OPENING

8'0" DRG9180 NINE PANEL DOOR

AVAILABLE SIZING

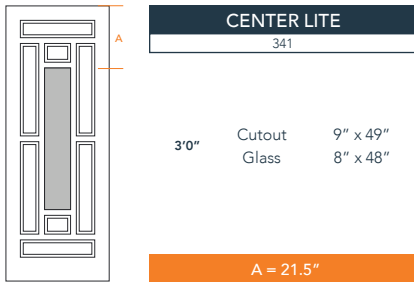
ARTWORK SCALE: 1/2"=1'



3' 0" x 8' 0"

NOTE: BY REQUEST, DOOR HEIGHT COMES IN VARYING DIMENSIONS TO A MINIMUM OF 99". EXCESS WILL BE TAKEN FROM BOTTOM RAIL. ALL OTHER DIMENSIONS WILL REMAIN THE SAME.

CUTOUTS & GLASS

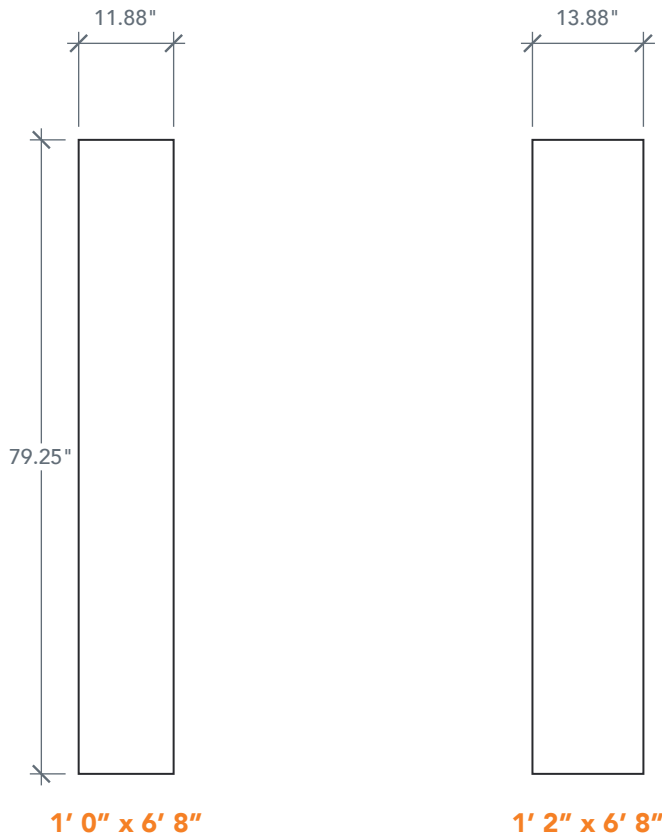


A = DISTANCE FROM TOP OF DOOR TO TOP OF OPENING

6'8" SLG00 FLUSH SIDELITE

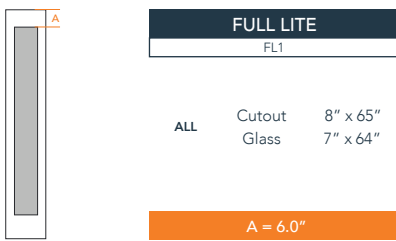
AVAILABLE SIZING

ARTWORK SCALE: 1/2"=1'



NOTE: BY REQUEST, SIDELITE HEIGHT COMES IN VARYING DIMENSIONS TO A MINIMUM OF 79". EXCESS WILL BE TAKEN FROM BOTTOM RAIL. ALL OTHER DIMENSIONS WILL REMAIN THE SAME.

CUTOUTS & GLASS



A = DISTANCE FROM TOP OF DOOR TO TOP OF OPENING

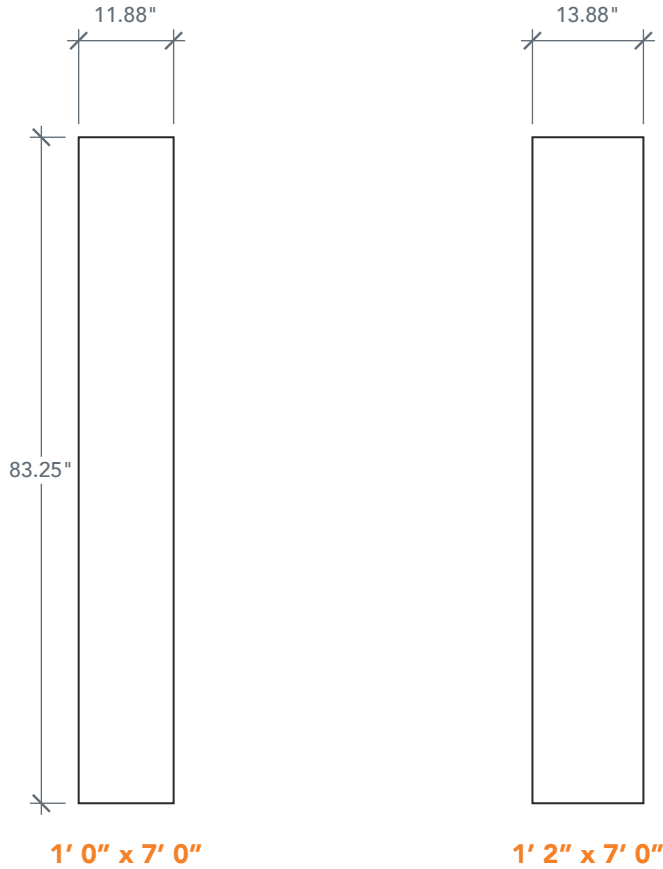
MATCHING DOORS



7'0" SLG0070 FLUSH SIDELITE

AVAILABLE SIZING

ARTWORK SCALE: 1/2"=1'



NOTE: BY REQUEST, SIDELITE HEIGHT COMES IN VARYING DIMENSIONS TO A MINIMUM OF 83". EXCESS WILL BE TAKEN FROM BOTTOM RAIL. ALL OTHER DIMENSIONS WILL REMAIN THE SAME.

CUTOUTS & GLASS



A = DISTANCE FROM TOP OF DOOR TO TOP OF OPENING

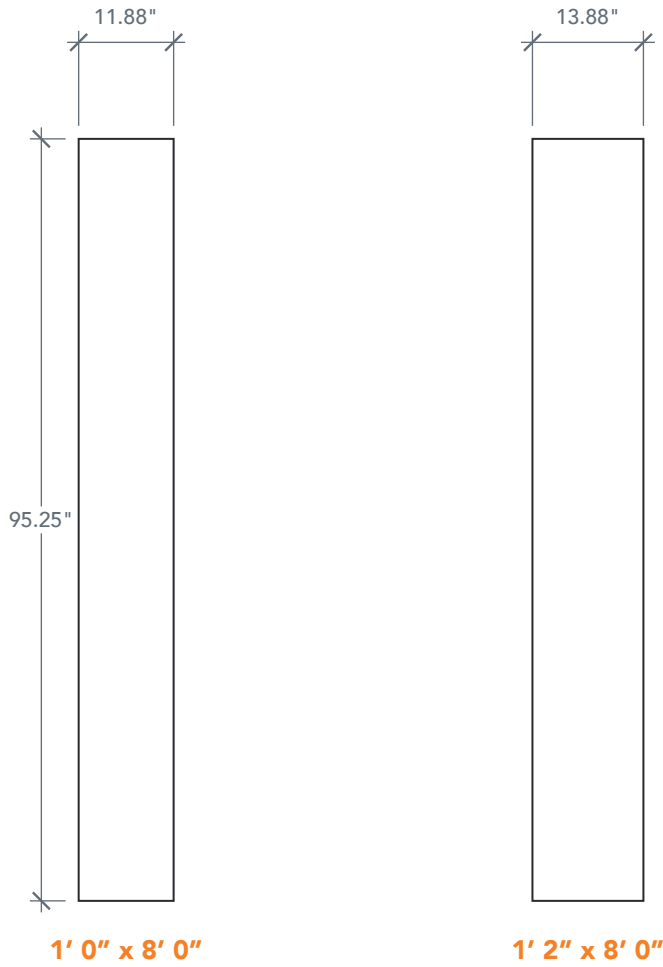
MATCHING DOORS



8'0" SLG0080 FLUSH SIDELITE

AVAILABLE SIZING

ARTWORK SCALE: 1/2"=1'



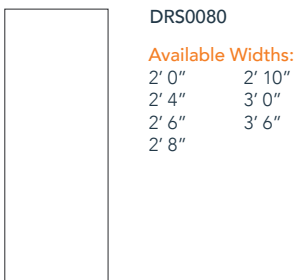
NOTE: BY REQUEST, SIDELITE HEIGHT COMES IN VARYING DIMENSIONS TO A MINIMUM OF 95". EXCESS WILL BE TAKEN FROM BOTTOM RAIL. ALL OTHER DIMENSIONS WILL REMAIN THE SAME.

CUTOUTS & GLASS



A = DISTANCE FROM TOP OF DOOR TO TOP OF OPENING

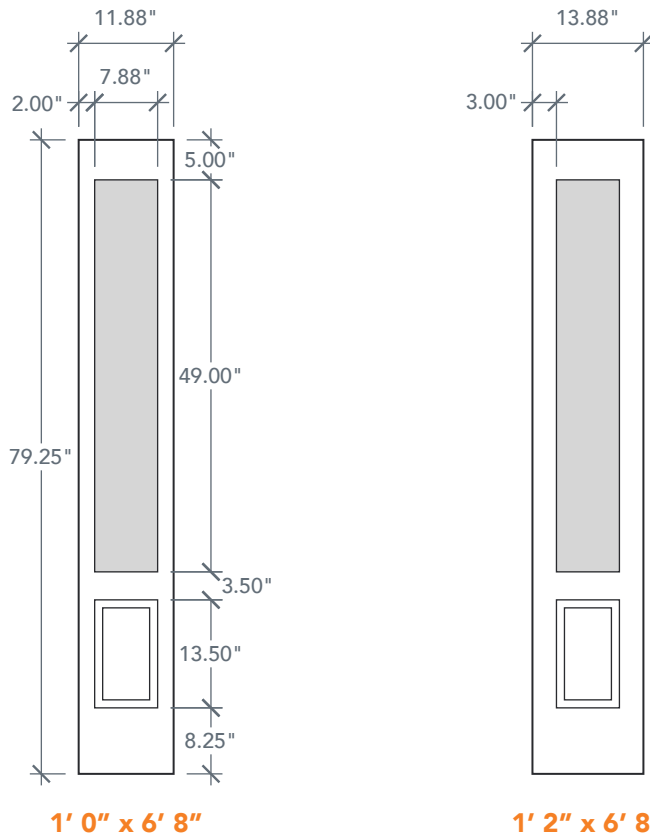
MATCHING DOORS



6'8" SLG3E 3/4 ELITE SIDELITE

AVAILABLE SIZING

ARTWORK SCALE: 1/2"=1'

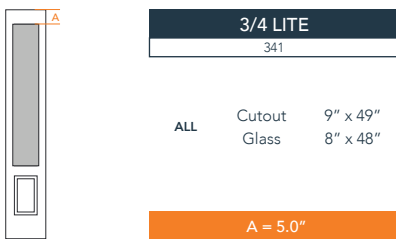


1' 0" x 6' 8"

1' 2" x 6' 8"

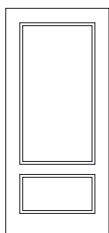
NOTE: BY REQUEST, SIDELITE HEIGHT COMES IN VARYING DIMENSIONS TO A MINIMUM OF 79". EXCESS WILL BE TAKEN FROM BOTTOM RAIL. ALL OTHER DIMENSIONS WILL REMAIN THE SAME.

CUTOUTS & GLASS



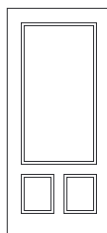
A = DISTANCE FROM TOP OF DOOR TO TOP OF OPENING

MATCHING DOORS



DRG20

Available Widths:
3'0"



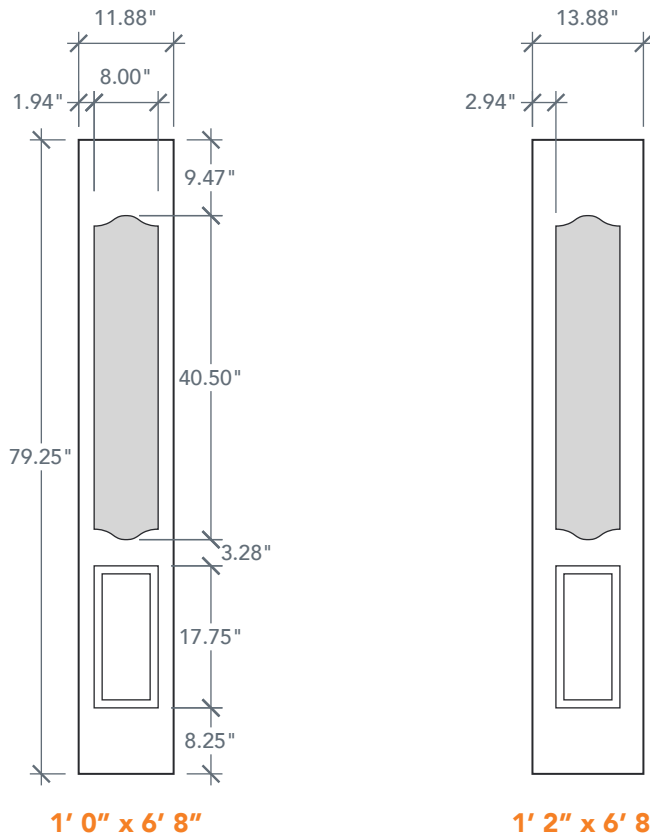
DRG3E

Available Widths:
3'0"

6'8" SLG3P 3/4 PREMIUM SIDELITE

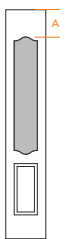
AVAILABLE SIZING

ARTWORK SCALE: 1/2"=1'



NOTE: BY REQUEST, SIDELITE HEIGHT COMES IN VARYING DIMENSIONS TO A MINIMUM OF 79". EXCESS WILL BE TAKEN FROM BOTTOM RAIL. ALL OTHER DIMENSIONS WILL REMAIN THE SAME.

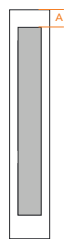
CUTOUTS & GLASS



3/4 OVAL LITE
3V1

ALL Cutout 8" x 40 1/2"
Glass 7" x 39 1/2"

A = 9.47"



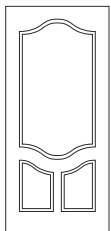
FULL LITE
FL1

ALL Cutout 8" x 65"
Glass 7" x 64"

A = 6.0"

A = DISTANCE FROM TOP OF DOOR TO TOP OF OPENING

MATCHING DOORS



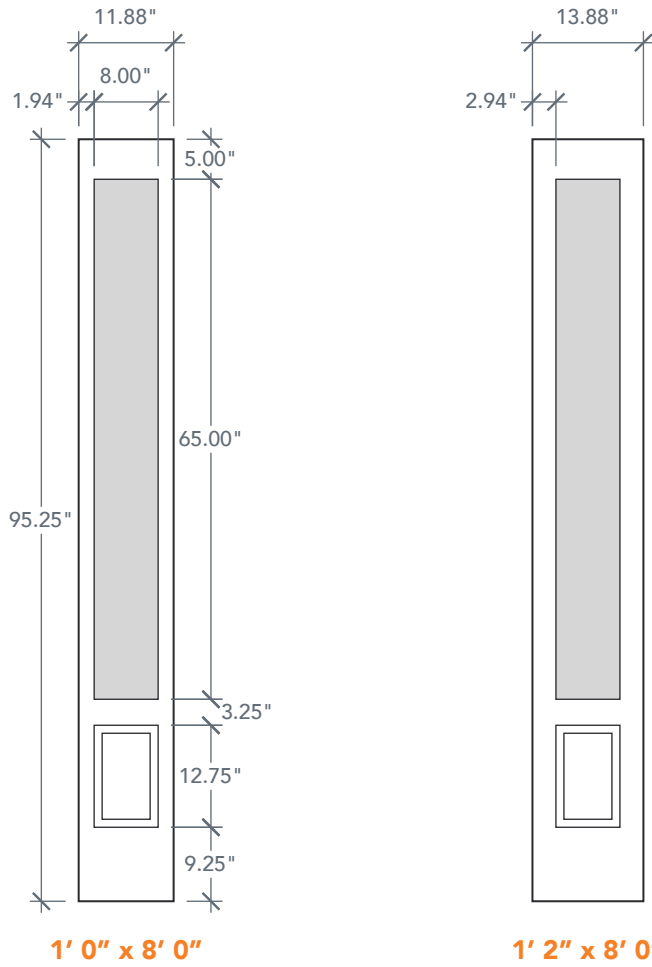
DRG3P

Available Widths:
3'0"

8'0" SLG3080 3/4 THREE PANEL SIDELITE

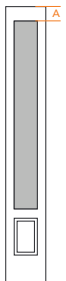
AVAILABLE SIZING

ARTWORK SCALE: 1/2"=1'



NOTE: BY REQUEST, SIDELITE HEIGHT COMES IN VARYING DIMENSIONS TO A MINIMUM OF 95". EXCESS WILL BE TAKEN FROM BOTTOM RAIL. ALL OTHER DIMENSIONS WILL REMAIN THE SAME.

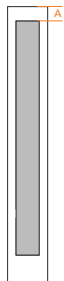
CUTOUTS & GLASS



3/4 LITE	
FL1	

ALL Cutout 8" x 65"
Glass 7" x 64"

A = 5.0"



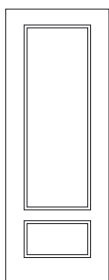
FULL LITE	
FL2	

ALL Cutout 9" x 81"
Glass 8" x 80"

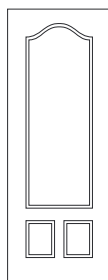
A = 5.0"

A = DISTANCE FROM TOP OF DOOR TO TOP OF OPENING

MATCHING DOORS



DRS2980
Available Widths:
2' 8"
2' 10"
3' 0"

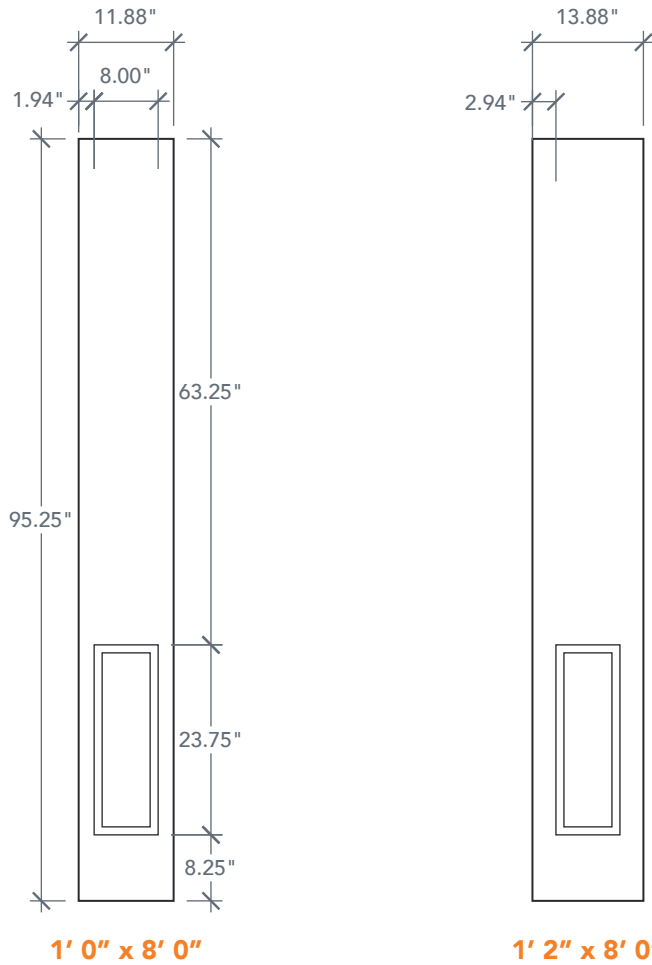


DRS3080
Available Widths:
2' 8"
3' 0"

8'0" SLG4180 FOUR PANEL SIDELITE

AVAILABLE SIZING

ARTWORK SCALE: 1/2"=1'



1' 0" x 8' 0"

1' 2" x 8' 0"

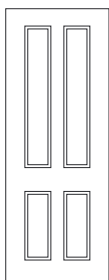
NOTE: BY REQUEST, SIDELITE HEIGHT COMES IN VARYING DIMENSIONS TO A MINIMUM OF 95". EXCESS WILL BE TAKEN FROM BOTTOM RAIL. ALL OTHER DIMENSIONS WILL REMAIN THE SAME.

CUTOUTS & GLASS



A = DISTANCE FROM TOP OF DOOR TO TOP OF OPENING

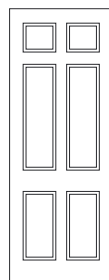
MATCHING DOORS



DRS4180

Available Widths:

- 2' 8"
- 2' 10"
- 3' 0"



DRS6080

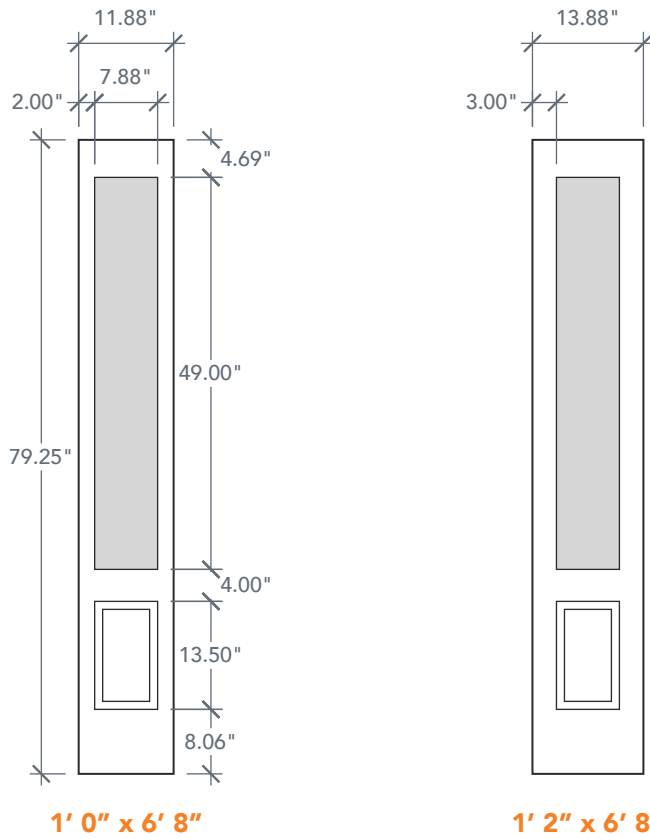
Available Widths:

- 2' 6"
- 2' 8"
- 3' 0"
- 3' 6"

6'8" SLG49 3/4 FOUR PANEL SIDELITE

AVAILABLE SIZING

ARTWORK SCALE: 1/2"=1'

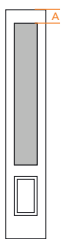


1' 0" x 6' 8"

1' 2" x 6' 8"

NOTE: BY REQUEST, SIDELITE HEIGHT COMES IN VARYING DIMENSIONS TO A MINIMUM OF 79". EXCESS WILL BE TAKEN FROM BOTTOM RAIL. ALL OTHER DIMENSIONS WILL REMAIN THE SAME.

CUTOUTS & GLASS

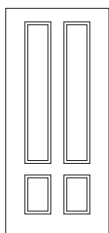


ALL	Cutout	9" x 49"
	Glass	8" x 48"

A = 4.69"

A = DISTANCE FROM TOP OF DOOR TO TOP OF OPENING

MATCHING DOORS



DRG49

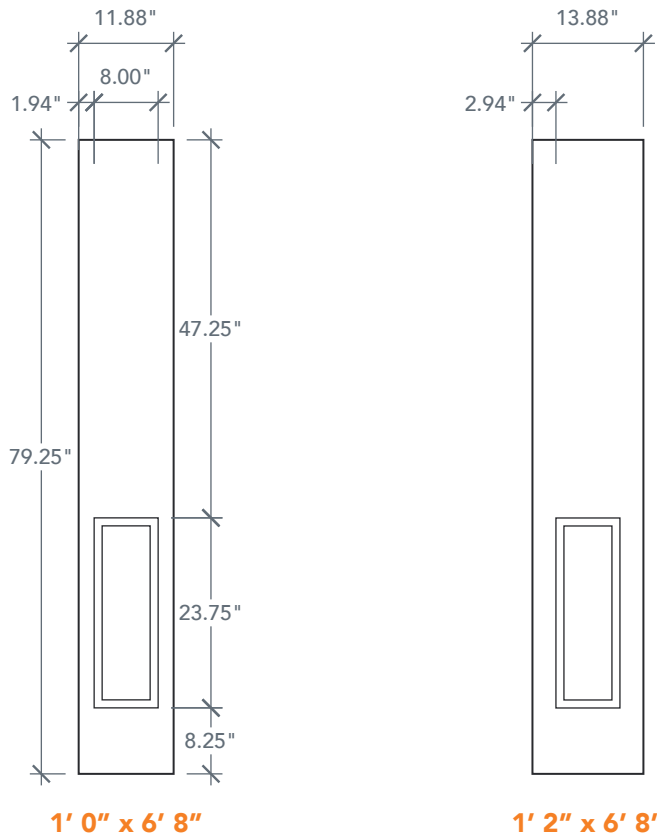
Available Widths:

- 2' 8"
- 2' 10"
- 3' 0"

6'8" SLG60 SIX PANEL SIDELITE

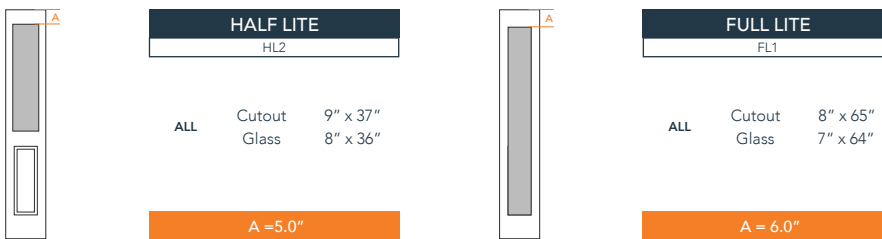
AVAILABLE SIZING

ARTWORK SCALE: 1/2"=1'



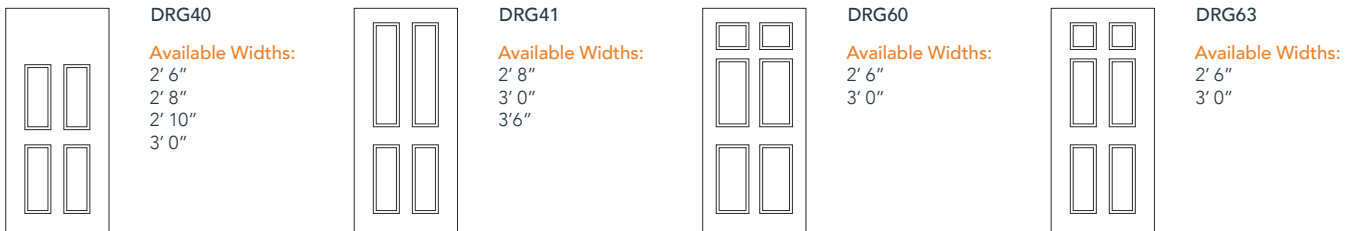
NOTE: BY REQUEST, SIDELITE HEIGHT COMES IN VARYING DIMENSIONS TO A MINIMUM OF 79". EXCESS WILL BE TAKEN FROM BOTTOM RAIL. ALL OTHER DIMENSIONS WILL REMAIN THE SAME.

CUTOUTS & GLASS



A = DISTANCE FROM TOP OF DOOR TO TOP OF OPENING

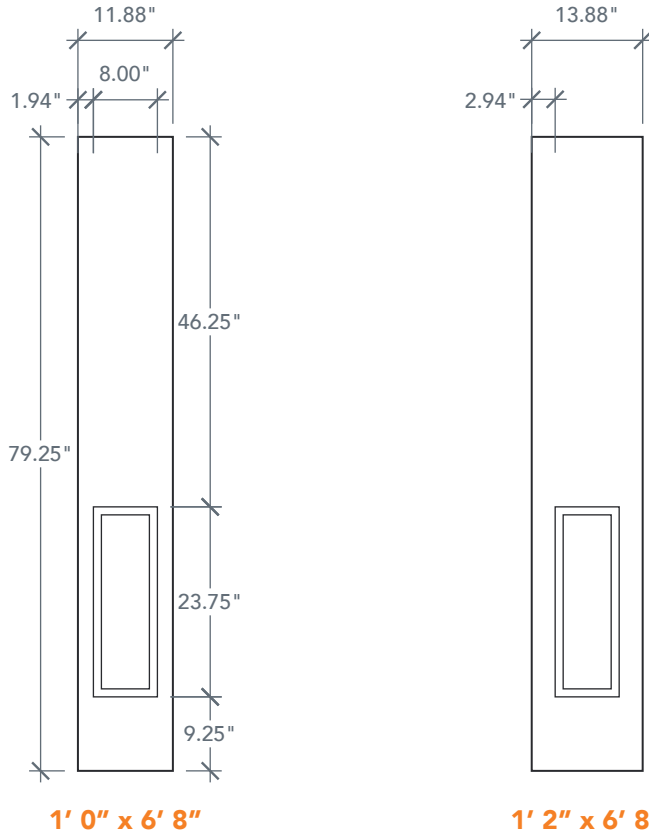
MATCHING DOORS



6'8" SLG61 SIX PANEL UTILITY SIDELITE

AVAILABLE SIZING

ARTWORK SCALE: 1/2"=1'



NOTE: BY REQUEST, SIDELITE HEIGHT COMES IN VARYING DIMENSIONS TO A MINIMUM OF 79". EXCESS WILL BE TAKEN FROM BOTTOM RAIL. ALL OTHER DIMENSIONS WILL REMAIN THE SAME.

CUTOUTS & GLASS

HALF LITE	
HL2	
ALL	Cutout 9" x 37"
	Glass 8" x 36"

A = 5.0"

FULL LITE	
FL1	
ALL	Cutout 8" x 65"
	Glass 7" x 64"

A = 5.0"

A = DISTANCE FROM TOP OF DOOR TO TOP OF OPENING

MATCHING DOORS

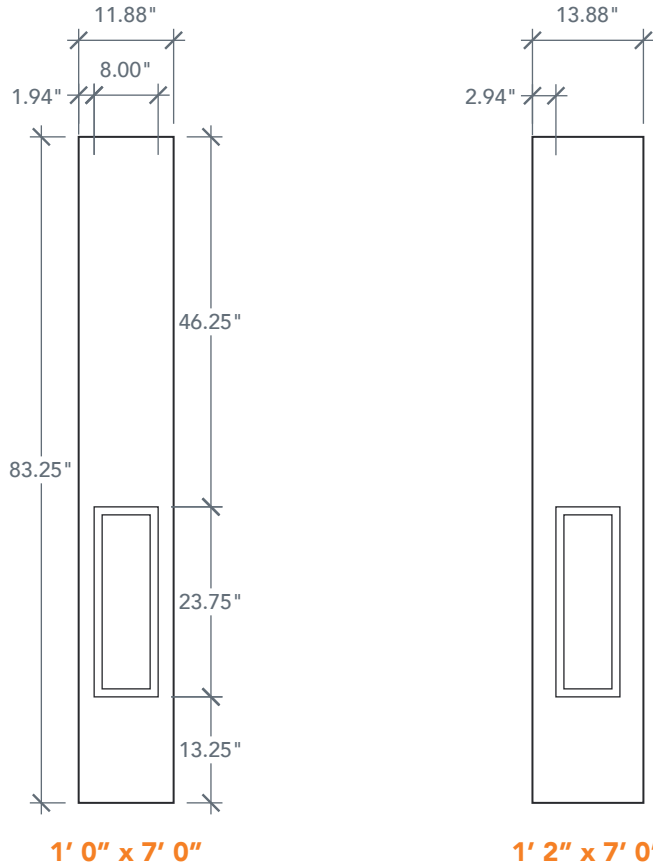
DRG61

Available Widths:
2' 8"
2' 10"
3' 0"

7'0" SLG6170 SIX PANEL UTILITY SIDELITE

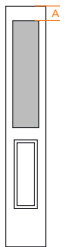
AVAILABLE SIZING

ARTWORK SCALE: 1/2"=1'



NOTE: BY REQUEST, SIDELITE HEIGHT COMES IN VARYING DIMENSIONS TO A MINIMUM OF 83". EXCESS WILL BE TAKEN FROM BOTTOM RAIL. ALL OTHER DIMENSIONS WILL REMAIN THE SAME.

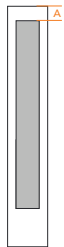
CUTOUTS & GLASS



HALF LITE
HL2

ALL Cutout 9" x 37"
Glass 8" x 36"

A = 5.0"



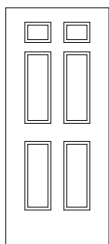
FULL LITE
FL1

ALL Cutout 8" x 65"
Glass 7" x 64"

A = 5.0"

A = DISTANCE FROM TOP OF DOOR TO TOP OF OPENING

MATCHING DOORS



DRG6170

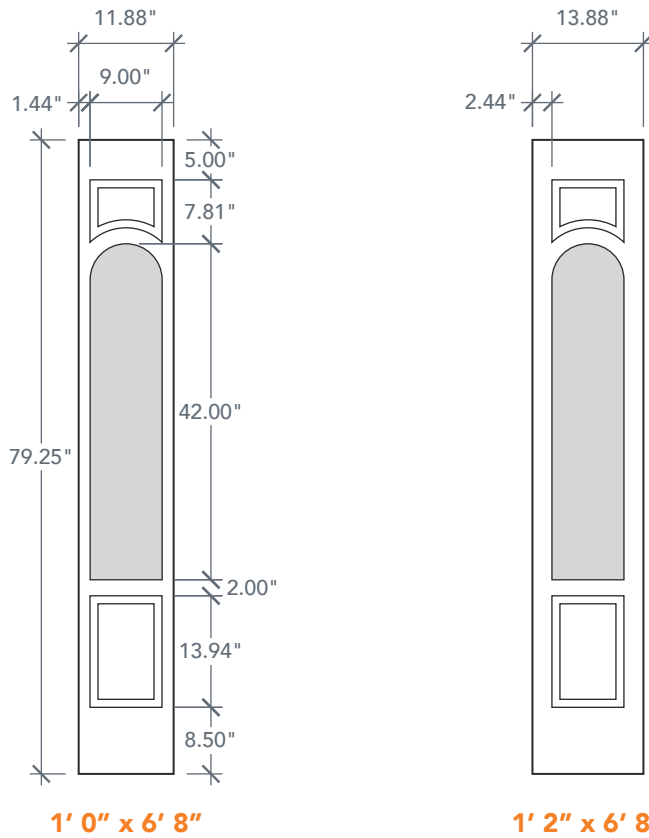
Available Widths:

2' 8"
2' 10"
3' 0"

6'8" SLG80 EIGHT PANEL SIDELITE

AVAILABLE SIZING

ARTWORK SCALE: 1/2"=1'

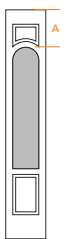


1' 0" x 6' 8"

1' 2" x 6' 8"

NOTE: BY REQUEST, SIDELITE HEIGHT COMES IN VARYING DIMENSIONS TO A MINIMUM OF 79". EXCESS WILL BE TAKEN FROM BOTTOM RAIL. ALL OTHER DIMENSIONS WILL REMAIN THE SAME.

CUTOUTS & GLASS



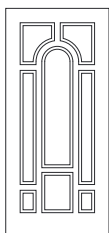
CENTER ARCH LITE
8C1

ALL	Cutout	9" x 42"
	Glass	8" x 41"

A = 12.81"

A = DISTANCE FROM TOP OF DOOR TO TOP OF OPENING

MATCHING DOORS



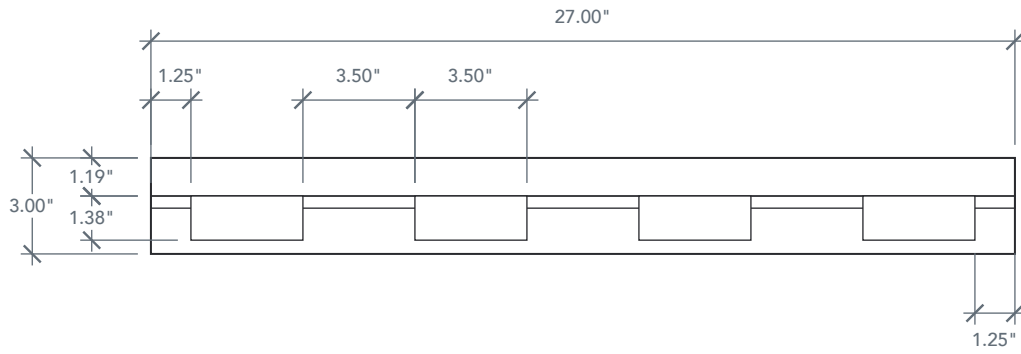
DRG80

Available Widths:
3' 0"

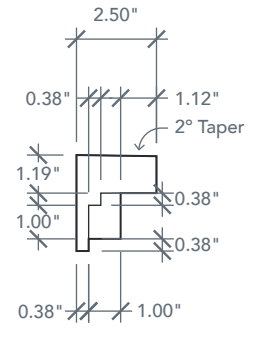
ACDSGT2704 4 BLOCK DENTIL SHELF

ACCESSORY DIMENSIONS

ARTWORK NOT TO SCALE

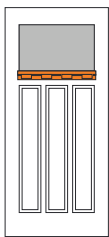


Front Profile



Side Profile

ACCESSORY INFO



Parts Per Set: 1
4 Block Dentil Shelf

Matching Doors:
DRG6C



WHITE OAK SERIES

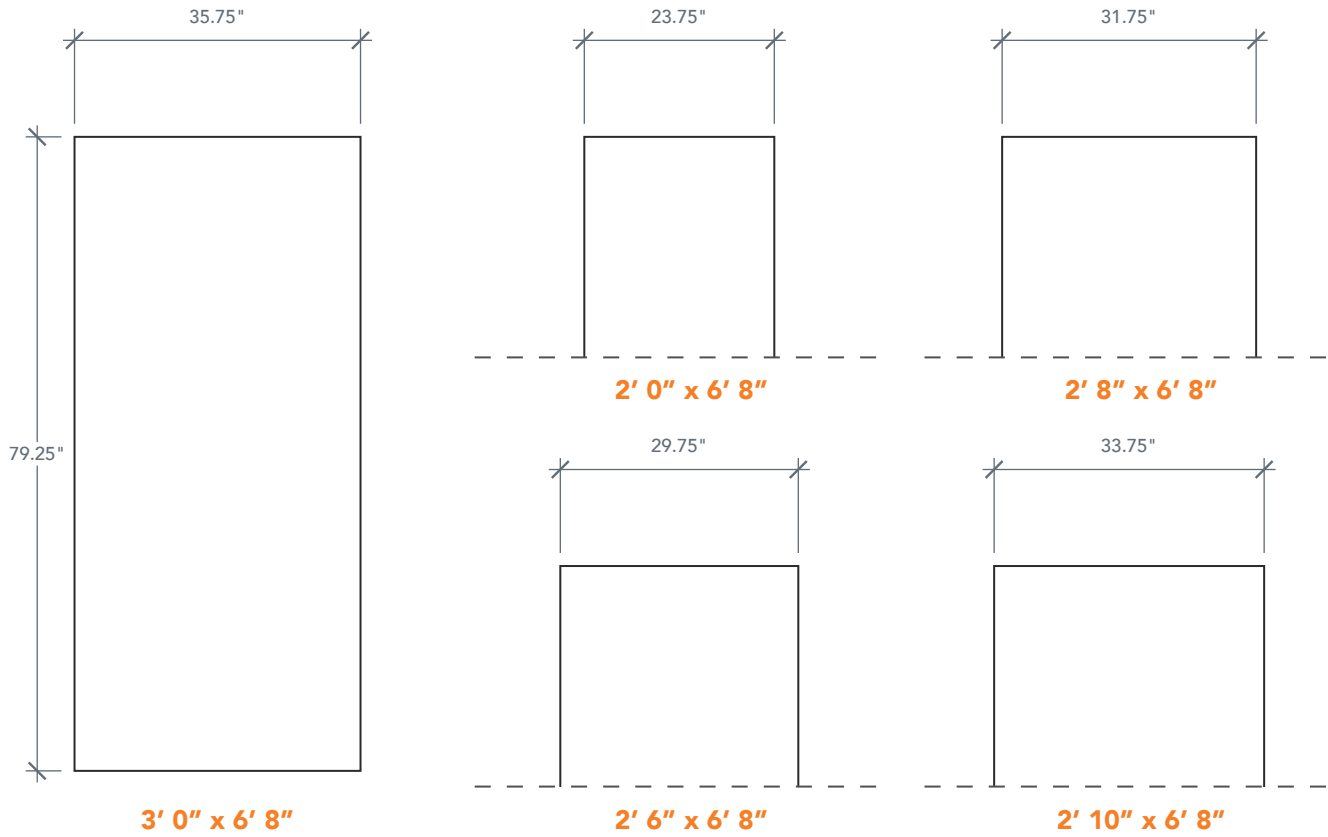
Can't decide between our classic Oak series and suave Smooth series? Plastpro figured, and as a result, we've created our exclusive White Oak Series. An immaculate line that encapsulates the finest features from our Smooth and Oak doors to deliver a top-notch entryway. Any home can enjoy an intricate oak texture coated in a pristine, pre-pigmented white skin. Finally, to help solidify your decision, Plastpro offers plentiful decorative glass options that'll turn this dreamy look into reality. The White Oak Series is the definition of the best of both worlds.

PG 196 - 207

6'8" DRV00 FLUSH DOOR

AVAILABLE SIZING

ARTWORK SCALE: 1/2"=1'



NOTE: BY REQUEST, DOOR HEIGHT COMES IN VARYING DIMENSIONS TO A MINIMUM OF 79". EXCESS WILL BE TAKEN FROM BOTTOM RAIL. ALL OTHER DIMENSIONS WILL REMAIN THE SAME.

CUTOUTS & GLASS

	FULL LITE	
	FL5	
	2'6"	Cutout 21" x 65" Glass 20" x 64"
	FL7	
2'8"	Cutout 23" x 65"	
2'10"	Cutout 23" x 65"	
3'0"	Glass 22" x 64"	
A = 6.0"		

A = DISTANCE FROM TOP OF DOOR TO TOP OF OPENING

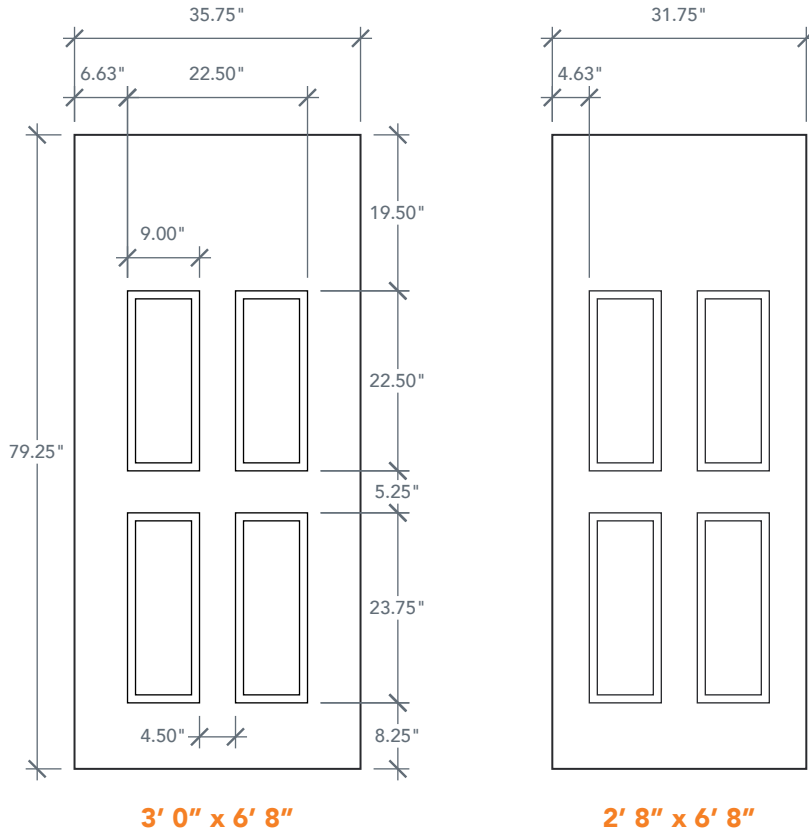
MATCHING SIDELITES

	SLV00
	Available Widths:
	1' 0"
	1' 2"

6'8" DRV40 FOUR PANEL BLANK TOP DOOR

AVAILABLE SIZING

ARTWORK SCALE: 1/2"=1'

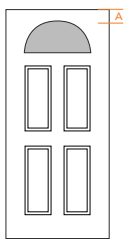


3' 0" x 6' 8"

2' 8" x 6' 8"

NOTE: BY REQUEST, DOOR HEIGHT COMES IN VARYING DIMENSIONS TO A MINIMUM OF 79". EXCESS WILL BE TAKEN FROM BOTTOM RAIL. ALL OTHER DIMENSIONS WILL REMAIN THE SAME.

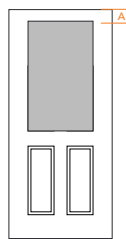
CUTOUTS & GLASS



HALF ROUND LITE
HR1

ALL Cutout 23" x 11"
Glass 22" x 10"

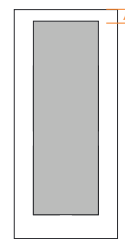
A = 4.0"



HALF LITE
HL4

ALL Cutout 23" x 37"
Glass 22" x 36"

A = 5.0"



FULL LITE
FL7

ALL Cutout 23" x 65"
Glass 22" x 64"

A = 6.0"

A = DISTANCE FROM TOP OF DOOR TO TOP OF OPENING

MATCHING SIDELITES



SLV60

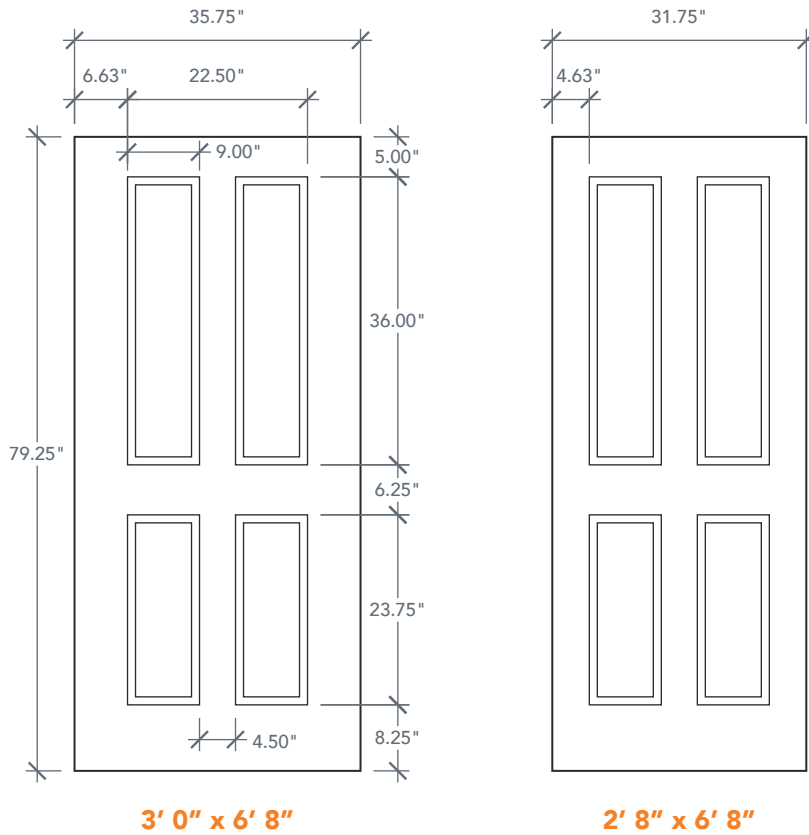
Available Widths:

1' 0"
1' 2"

6'8" DRV41 TRUE FOUR PANEL DOOR

AVAILABLE SIZING

ARTWORK SCALE: 1/2"=1'

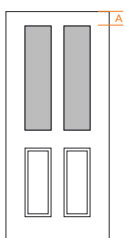


3' 0" x 6' 8"

2' 8" x 6' 8"

NOTE: BY REQUEST, DOOR HEIGHT COMES IN VARYING DIMENSIONS TO A MINIMUM OF 79". EXCESS WILL BE TAKEN FROM BOTTOM RAIL. ALL OTHER DIMENSIONS WILL REMAIN THE SAME.

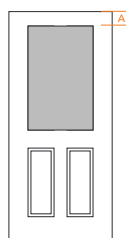
CUTOUTS & GLASS



TWIN LITE
HL2

2'8" Cutout 9" x 37"
3'0" Glass 8" x 36"

A = 5.0"



HALF LITE
HL4

2'8" Cutout 23" x 37"
3'0" Glass 22" x 36"

A = 5.0"

A = DISTANCE FROM TOP OF DOOR TO TOP OF OPENING

MATCHING SIDELITES



SLV60

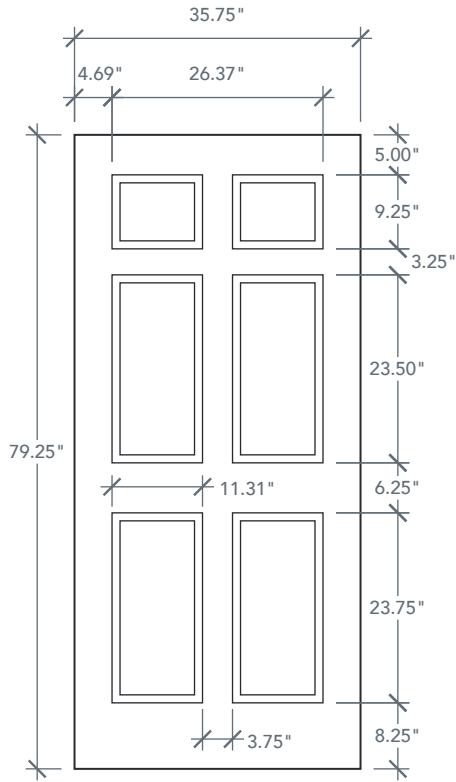
Available Widths:

- 1' 0"
- 1' 2"

6'8" DRV60 SIX PANEL DOOR

AVAILABLE SIZING

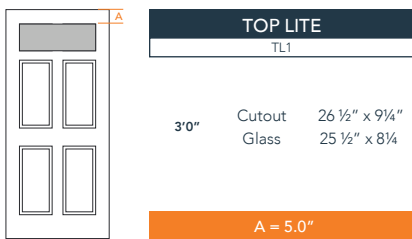
ARTWORK SCALE: 1/2"=1'



3' 0" x 6' 8"

NOTE: BY REQUEST, DOOR HEIGHT COMES IN VARYING DIMENSIONS TO A MINIMUM OF 79". EXCESS WILL BE TAKEN FROM BOTTOM RAIL. ALL OTHER DIMENSIONS WILL REMAIN THE SAME.

CUTOUTS & GLASS



A = DISTANCE FROM TOP OF DOOR TO TOP OF OPENING

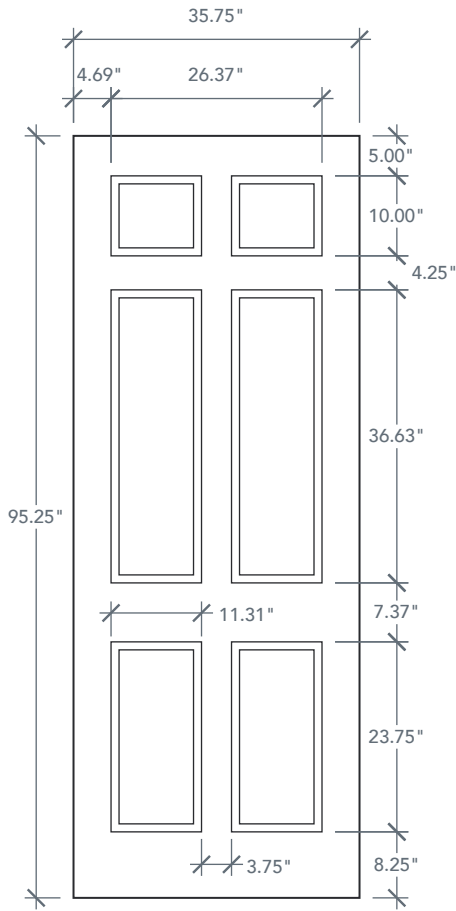
MATCHING SIDELITES



8'0" DRW6080 SIX PANEL DOOR

AVAILABLE SIZING

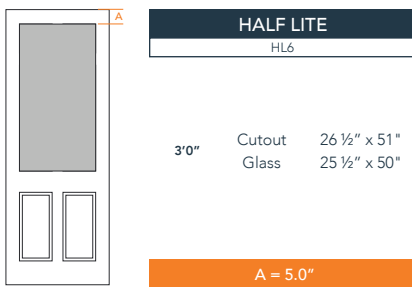
ARTWORK SCALE: 1/2"=1'



3' 0" x 8' 0"

NOTE: BY REQUEST, DOOR HEIGHT COMES IN VARYING DIMENSIONS TO A MINIMUM OF 95". EXCESS WILL BE TAKEN FROM BOTTOM RAIL. ALL OTHER DIMENSIONS WILL REMAIN THE SAME.

CUTOUTS & GLASS

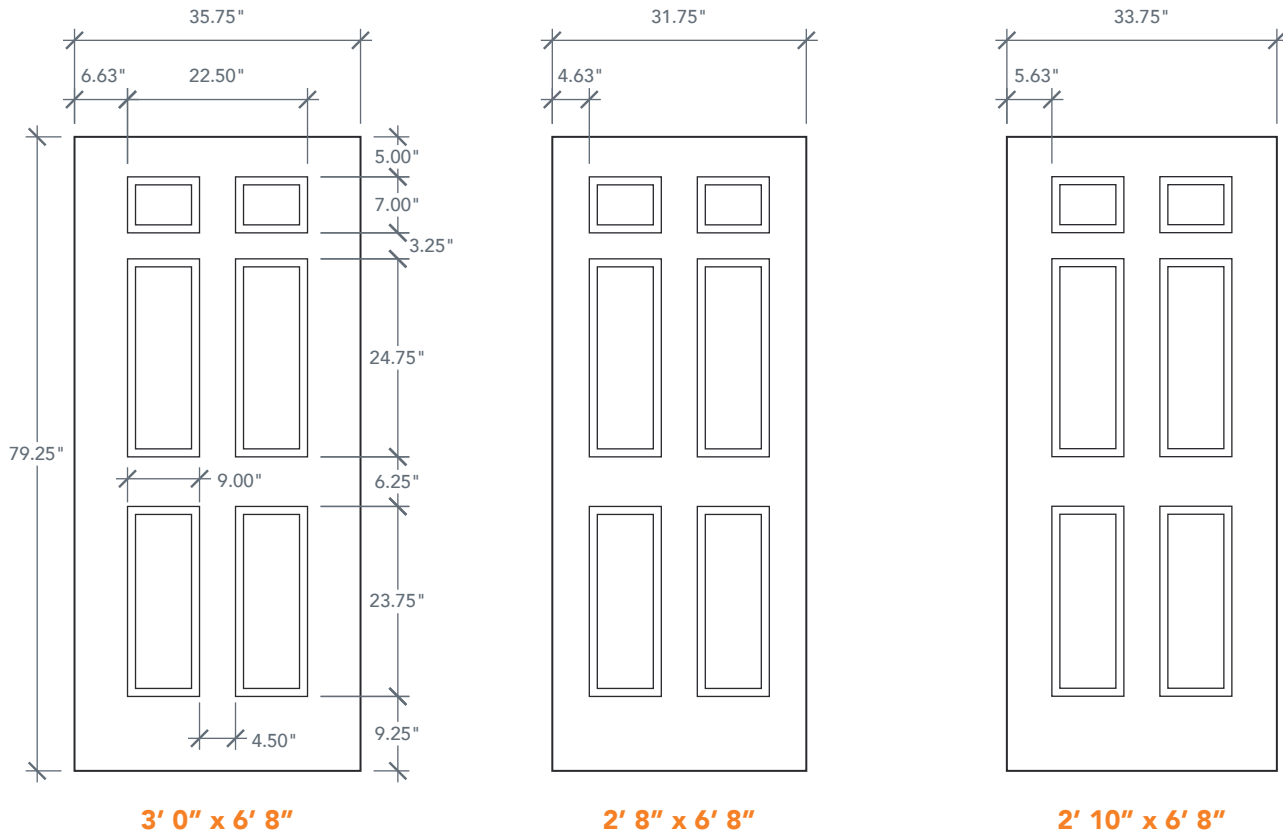


A = DISTANCE FROM TOP OF DOOR TO TOP OF OPENING

6'8" DRV61 SIX PANEL UTILITY DOOR

AVAILABLE SIZING

ARTWORK SCALE: 1/2"=1'



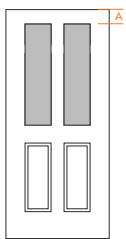
3' 0" x 6' 8"

2' 8" x 6' 8"

2' 10" x 6' 8"

NOTE: BY REQUEST, DOOR HEIGHT COMES IN VARYING DIMENSIONS TO A MINIMUM OF 79". EXCESS WILL BE TAKEN FROM BOTTOM RAIL. ALL OTHER DIMENSIONS WILL REMAIN THE SAME.

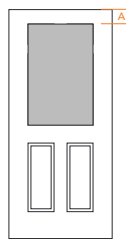
CUTOUTS & GLASS



TWIN LITE
HL2

ALL Cutout 9" x 37"
Glass 8" x 36"

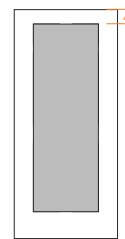
A = 5.0"



HALF LITE
HL4

ALL Cutout 23" x 37"
Glass 22" x 36"

A = 5.0"



FULL LITE
FL7

ALL Cutout 23" x 65"
Glass 22" x 64"

A = 5.0"

A = DISTANCE FROM TOP OF DOOR TO TOP OF OPENING

MATCHING SIDELITE



SLV61

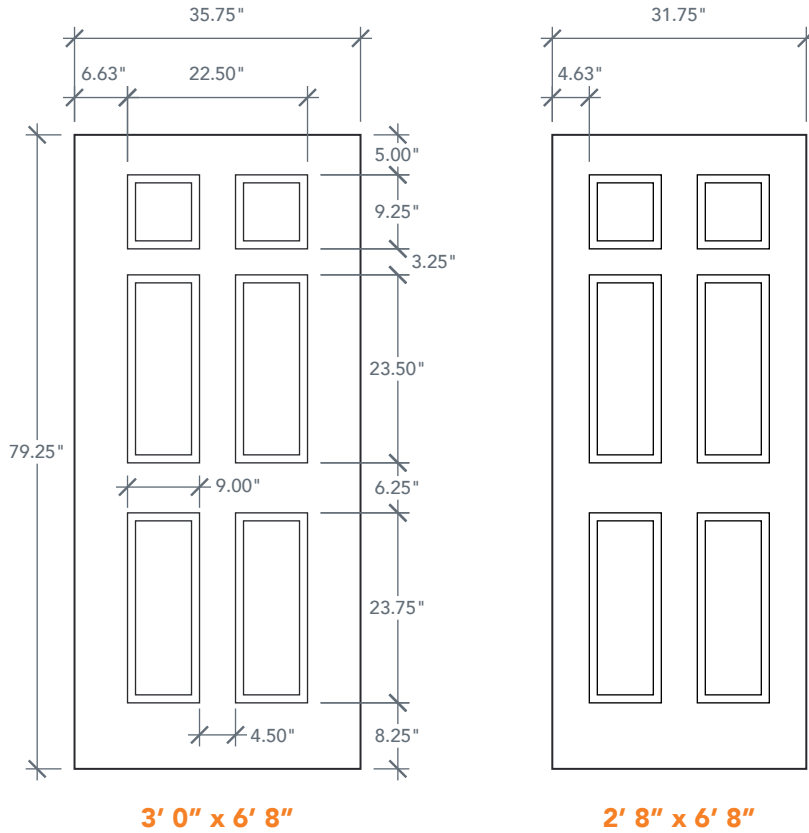
Available Widths:

- 1' 0"
- 1' 2"

6'8" DRV63 TRUE SIX PANEL NARROW DOOR

AVAILABLE SIZING

ARTWORK SCALE: 1/2"=1'

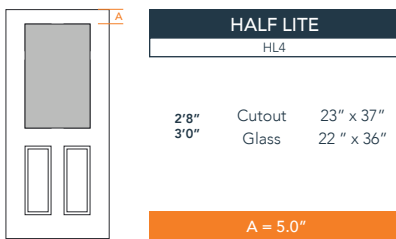


3' 0" x 6' 8"

2' 8" x 6' 8"

NOTE: BY REQUEST, DOOR HEIGHT COMES IN VARYING DIMENSIONS TO A MINIMUM OF 79". EXCESS WILL BE TAKEN FROM BOTTOM RAIL. ALL OTHER DIMENSIONS WILL REMAIN THE SAME.

CUTOUTS & GLASS

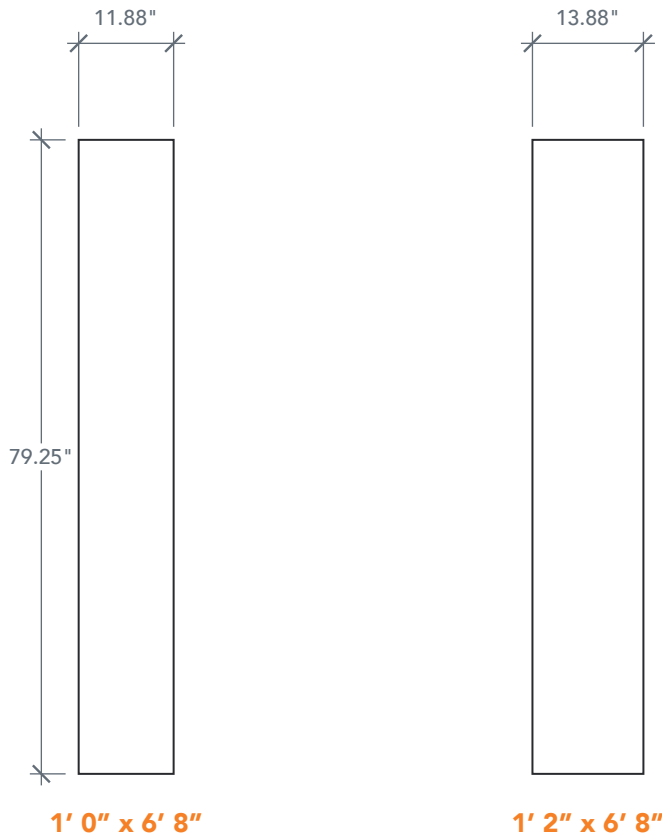


A = DISTANCE FROM TOP OF DOOR TO TOP OF OPENING

6'8" SLV00 FLUSH SIDELITE

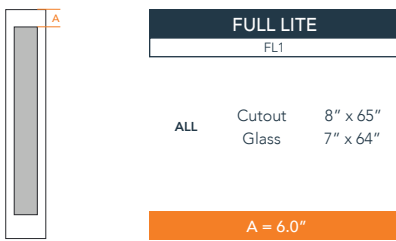
AVAILABLE SIZING

ARTWORK SCALE: 1/2"=1'



NOTE: BY REQUEST, SIDELITE HEIGHT COMES IN VARYING DIMENSIONS TO A MINIMUM OF 79". EXCESS WILL BE TAKEN FROM BOTTOM RAIL. ALL OTHER DIMENSIONS WILL REMAIN THE SAME.

CUTOUT AND GLASS



A = DISTANCE FROM TOP OF DOOR TO TOP OF OPENING

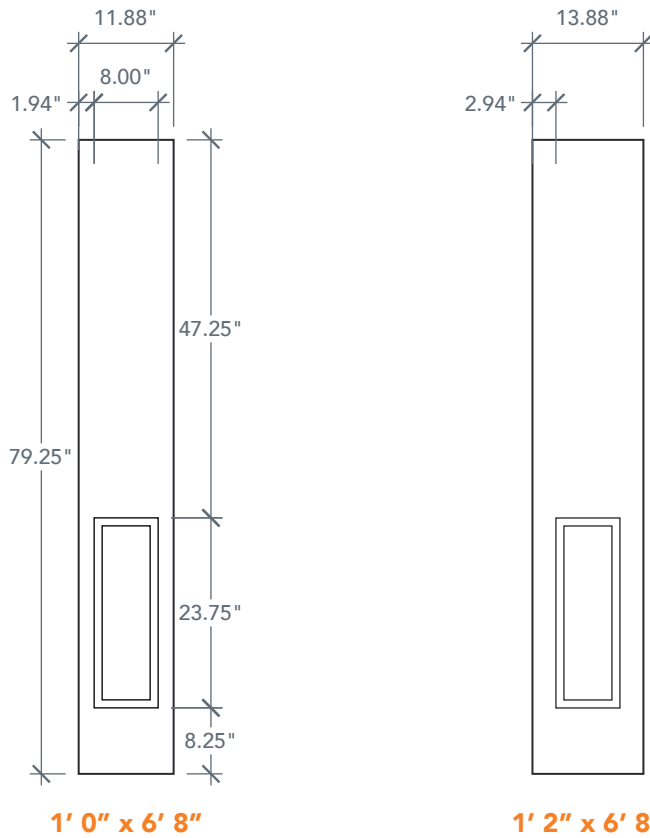
MATCHING DOOR



6'8" SLV60 SIX PANEL SIDELITE

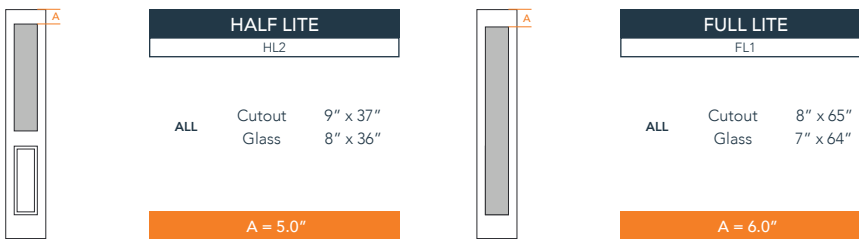
AVAILABLE SIZING

ARTWORK SCALE: 1/2"=1'



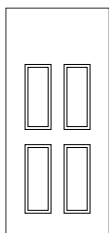
NOTE: BY REQUEST, SIDELITE HEIGHT COMES IN VARYING DIMENSIONS TO A MINIMUM OF 79". EXCESS WILL BE TAKEN FROM BOTTOM RAIL. ALL OTHER DIMENSIONS WILL REMAIN THE SAME.

CUTOUT AND GLASS

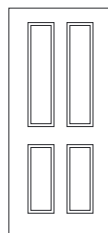


A = DISTANCE FROM TOP OF DOOR TO TOP OF OPENING

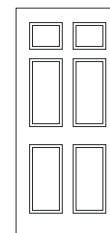
MATCHING DOORS



DRV40
Available Widths:
2' 8"
2' 10"
3' 0"



DRV41
Available Widths:
2' 8"
2' 10"
3' 0"

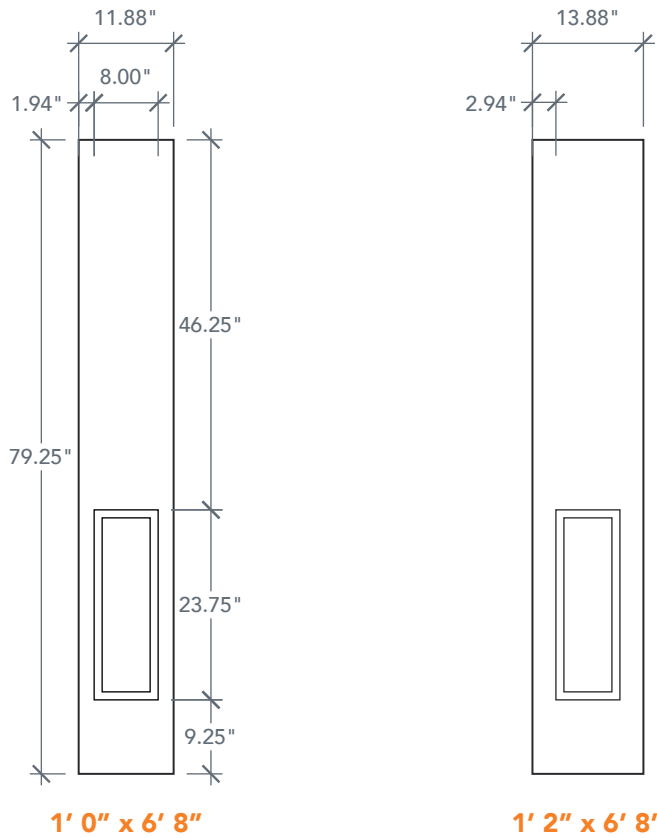


DRV60
Available Widths:
2' 6"
3' 0"

6'8" SLV61 SIX PANEL UTILITY SIDELITE

AVAILABLE SIZING

ARTWORK SCALE: 1/2"=1'



1' 0" x 6' 8"

1' 2" x 6' 8"

NOTE: BY REQUEST, SIDELITE HEIGHT COMES IN VARYING DIMENSIONS TO A MINIMUM OF 79". EXCESS WILL BE TAKEN FROM BOTTOM RAIL. ALL OTHER DIMENSIONS WILL REMAIN THE SAME.

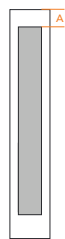
CUTOUT AND GLASS



HALF LITE
HL2

ALL Cutout 9" x 37"
Glass 8" x 36"

A = 5.0"



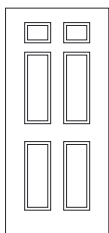
FULL LITE
FL1

ALL Cutout 8" x 65"
Glass 7" x 64"

A = 5.0"

A = DISTANCE FROM TOP OF DOOR TO TOP OF OPENING

MATCHING DOOR



DRV61

Available Widths:

2' 8"
2' 10"
3' 0"



MAHOGANY SERIES

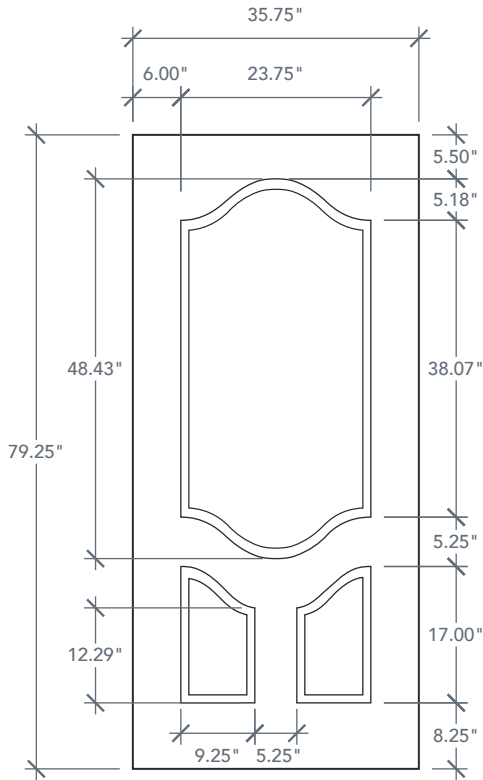
The Mahogany Series seamlessly blends red and brown tones to sculpt a beloved, wood texture that is irresistible to the eye. This series effortlessly embodies traditional, timeless styles that are made to radiate beauty and elegance throughout your home. Our perfectly crafted wood panels can be paired with any of our decorative glass options which explains why these fiberglass doors are a hot commodity. This line is also compatible with any layout you desire, giving you the freedom to transform your home into your masterpiece.

PG 208 - 221

6'8" DRM3D THREE PANEL DELUXE DOOR

AVAILABLE SIZING

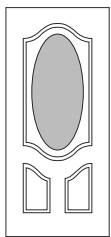
ARTWORK SCALE: 1/2"=1'



3' 0" x 6' 8"

NOTE: BY REQUEST, DOOR HEIGHT COMES IN VARYING DIMENSIONS TO A MINIMUM OF 79". EXCESS WILL BE TAKEN FROM BOTTOM RAIL. ALL OTHER DIMENSIONS WILL REMAIN THE SAME.

CUTOUTS & GLASS



3/4 OVAL LITE
3/2

3'0" Cutout 17.84" x 40.12"
Glass 16.78" x 38.72"

OVAL CUTOUT IS CENTERED IN PANEL HEIGHT

MATCHING SIDELITES



SLM3D

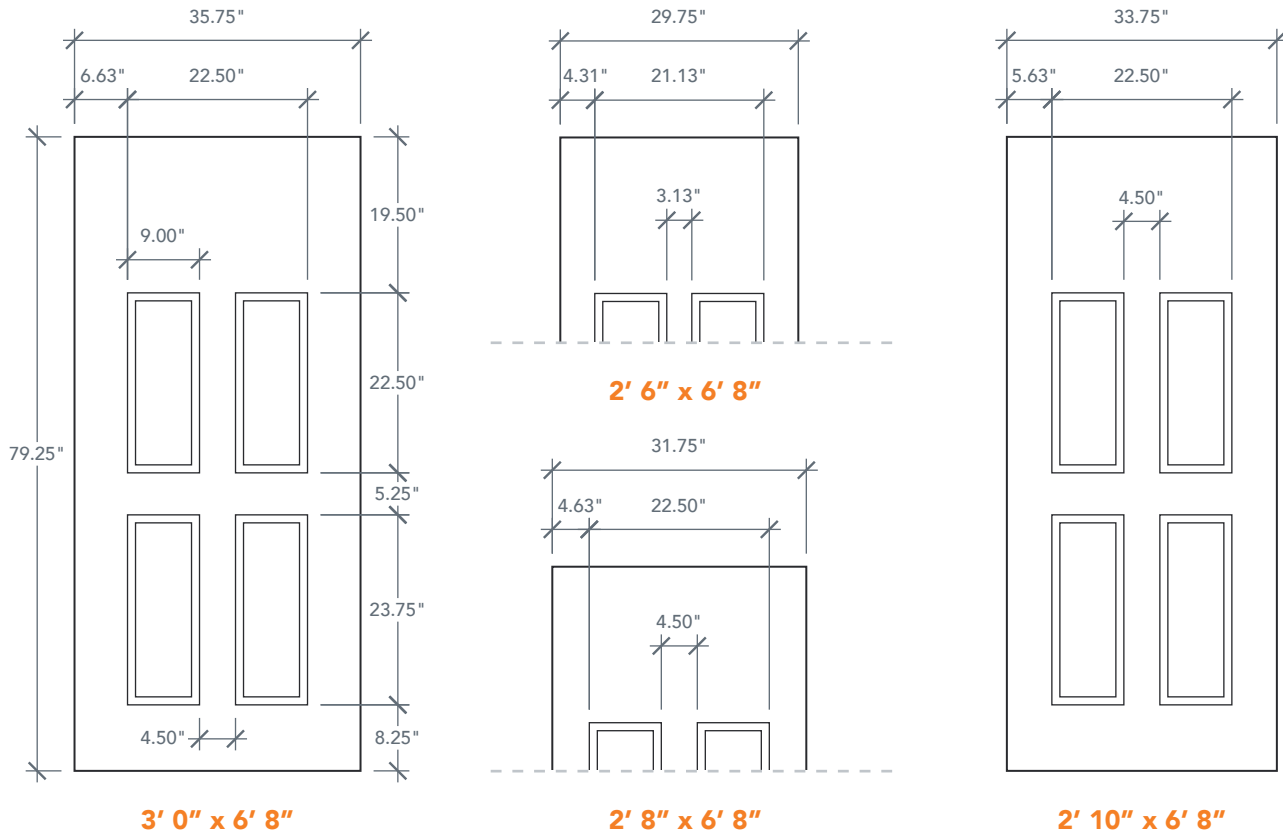
Available Widths:

1' 0"
1' 2"

6'8" DRM40 FOUR PANEL BLANK TOP DOOR

AVAILABLE SIZING

ARTWORK SCALE: 1/2"=1'



NOTE: BY REQUEST, DOOR HEIGHT COMES IN VARYING DIMENSIONS TO A MINIMUM OF 79". EXCESS WILL BE TAKEN FROM BOTTOM RAIL. ALL OTHER DIMENSIONS WILL REMAIN THE SAME.

CUTOUTS & GLASS

	HALF ROUND LITE HR1		HALF LITE HL3		FULL LITE FL5
	2'8" Cutout 23" x 11" 2'10" Glass 22" x 10" 3'0"		2'6" Cutout 21" x 37" Glass 20" x 36"		2'6" Cutout 21" x 65" Glass 20" x 64"
A = 4.0"		A = 5.0"		A = 5.0"	

A = DISTANCE FROM TOP OF DOOR TO TOP OF OPENING

MATCHING SIDELITES

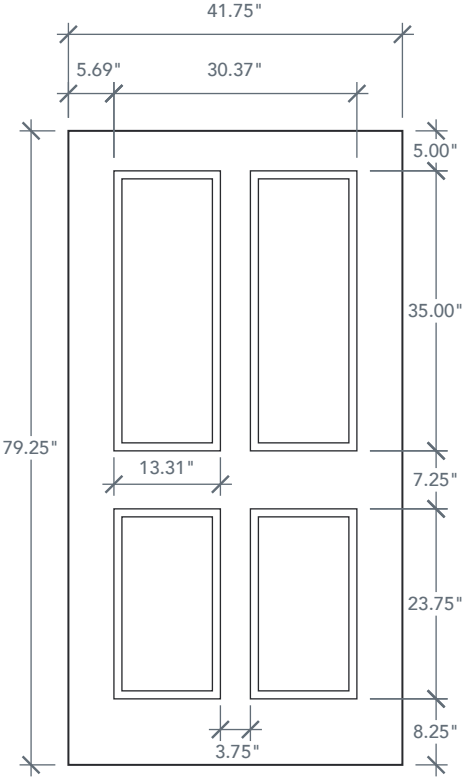
SLM60

Available Widths:
1' 0"
1' 2"

6'8" DRM41 TRUE FOUR PANEL DOOR

AVAILABLE SIZING

ARTWORK SCALE: 1/2"=1'



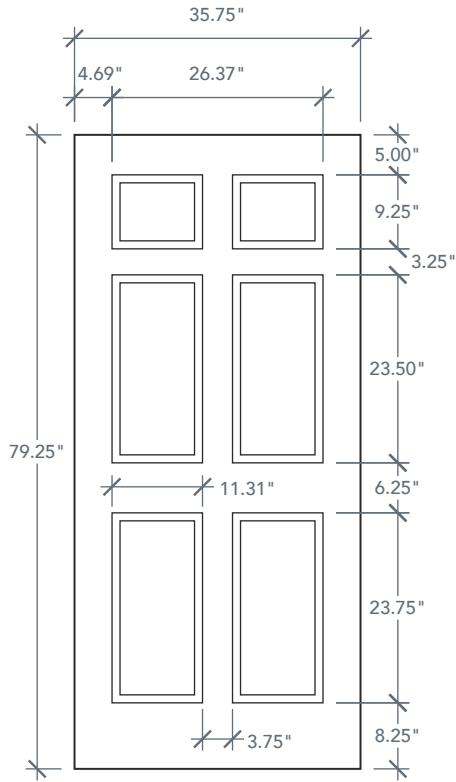
3' 6" x 6' 8"

NOTE: BY REQUEST, DOOR HEIGHT COMES IN VARYING DIMENSIONS TO A MINIMUM OF 79". EXCESS WILL BE TAKEN FROM BOTTOM RAIL. ALL OTHER DIMENSIONS WILL REMAIN THE SAME.

6'8" DRM60 SIX PANEL DOOR

AVAILABLE SIZING

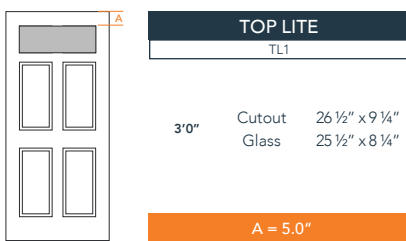
ARTWORK SCALE: 1/2"=1'



3' 0" x 6' 8"

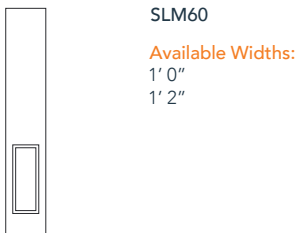
NOTE: BY REQUEST, DOOR HEIGHT COMES IN VARYING DIMENSIONS TO A MINIMUM OF 79". EXCESS WILL BE TAKEN FROM BOTTOM RAIL. ALL OTHER DIMENSIONS WILL REMAIN THE SAME.

CUTOUTS & GLASS



A = DISTANCE FROM TOP OF DOOR TO TOP OF OPENING

MATCHING SIDELITES



SLM60

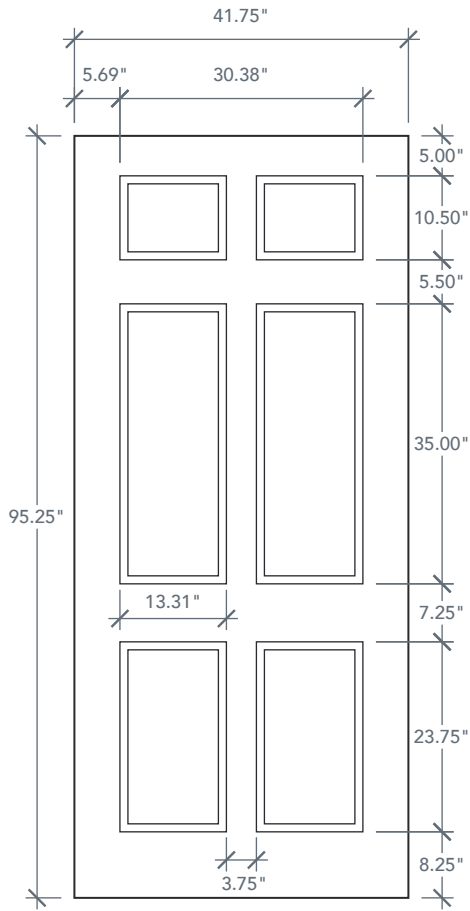
Available Widths:

1' 0"
1' 2"

8'0" DRM6080 SIX PANEL DOOR

AVAILABLE SIZING

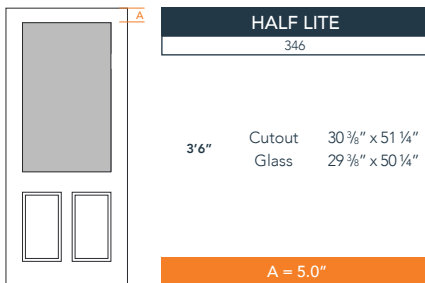
ARTWORK SCALE: 1/2"=1'



3' 6" x 8' 0"

NOTE: BY REQUEST, DOOR HEIGHT COMES IN VARYING DIMENSIONS TO A MINIMUM OF 95". EXCESS WILL BE TAKEN FROM BOTTOM RAIL. ALL OTHER DIMENSIONS WILL REMAIN THE SAME.

CUTOUTS & GLASS



A = DISTANCE FROM TOP OF DOOR TO TOP OF OPENING

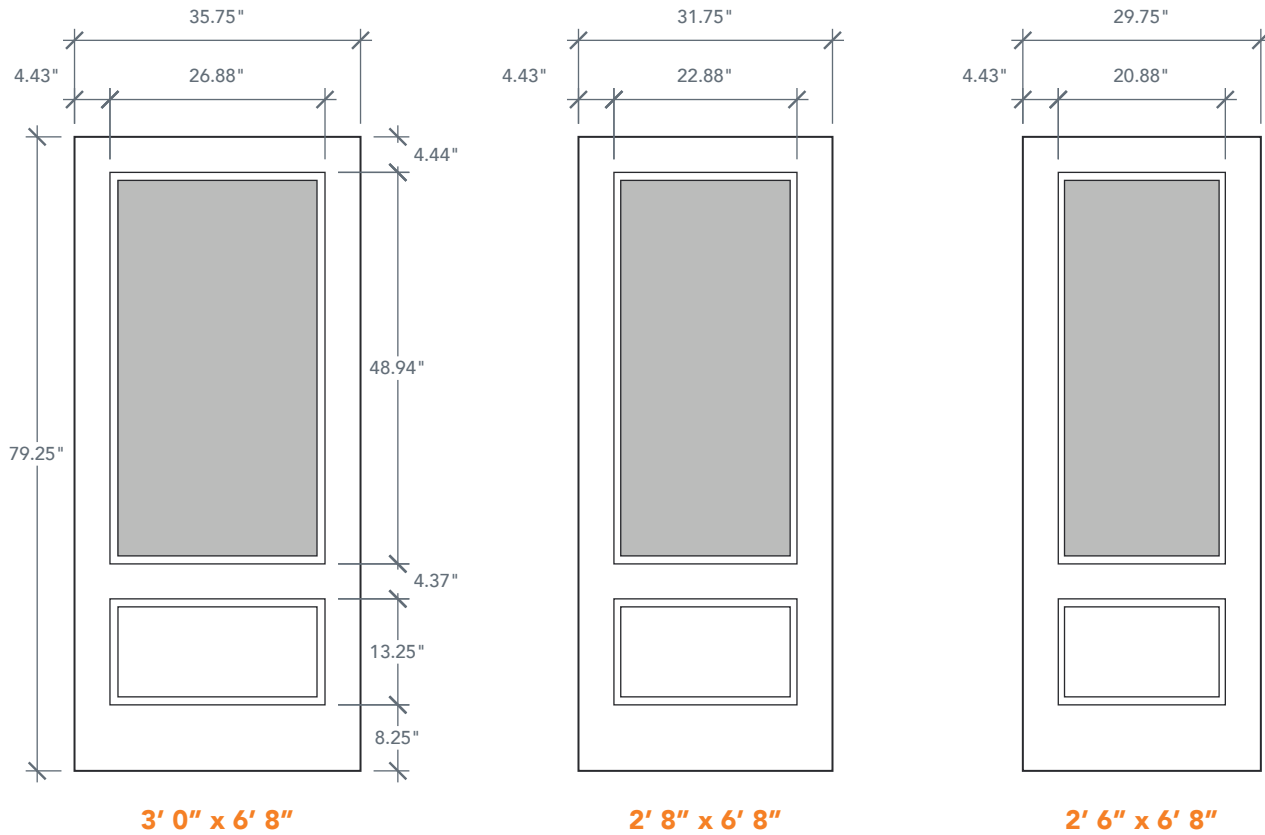
MATCHING SIDELITES



6'8" DRM13 FLUSH GLAZED 3/4 LITE DOOR

AVAILABLE SIZING

ARTWORK SCALE: 1/2"=1'



3' 0" x 6' 8"

2' 8" x 6' 8"

2' 6" x 6' 8"

NOTE: BY REQUEST, DOOR HEIGHT COMES IN VARYING DIMENSIONS TO A MINIMUM OF 79". EXCESS WILL BE TAKEN FROM BOTTOM RAIL. ALL OTHER DIMENSIONS WILL REMAIN THE SAME.

GLASS & DAYLIGHT OPENING

		3/4 LITE	
	2'6"	Glass	20" x 48"
		Daylight	19 1/4" x 47 1/4"
	2'8"	Glass	22" x 48"
	Daylight	21 1/4" x 47 1/4"	
	3'0"	Glass	26" x 48"
		Daylight	25 1/4" x 47 1/4"
		A = 4.44"	

A = DISTANCE FROM TOP OF DOOR TO TOP OF OPENING

MATCHING SIDELITES

SLM13

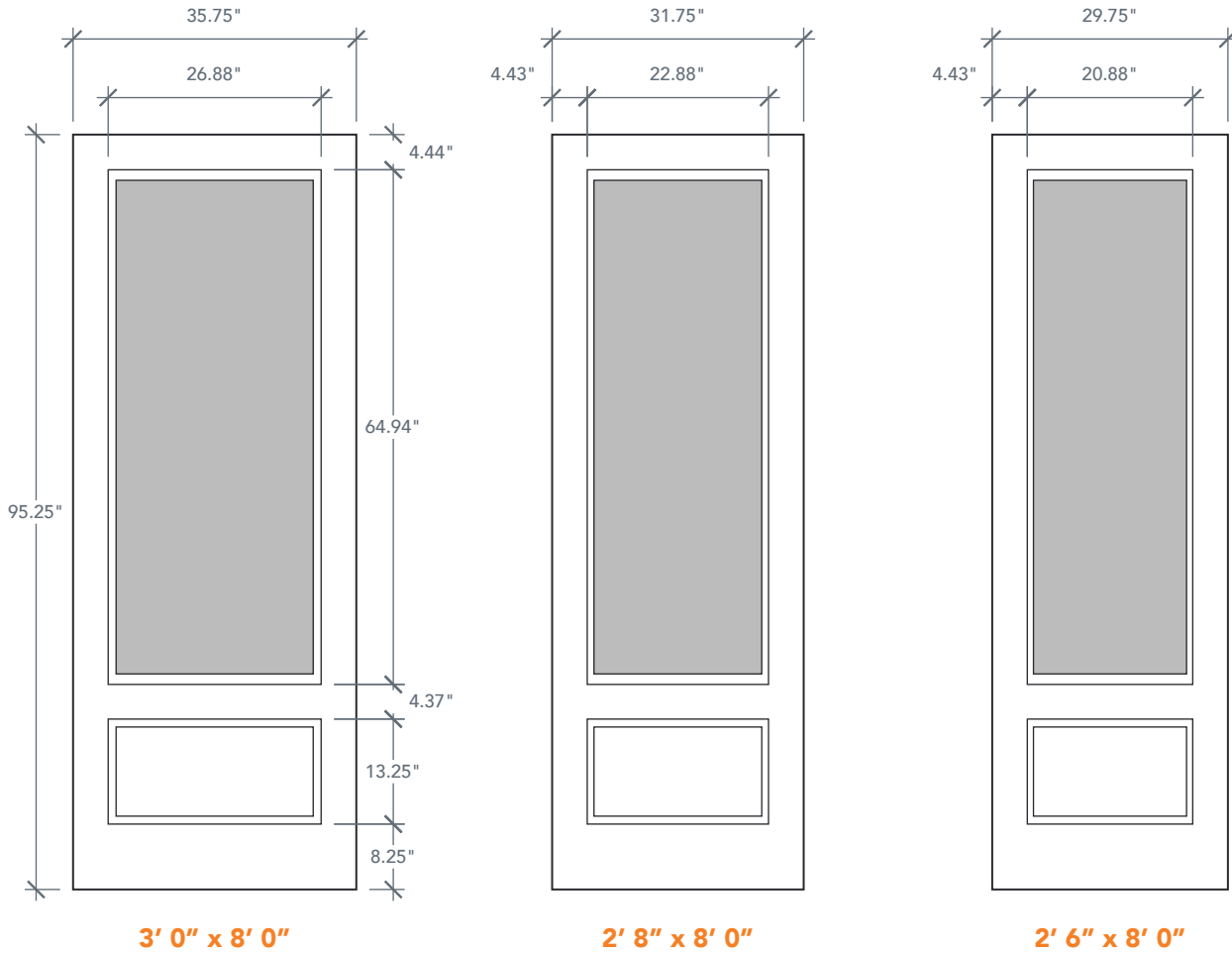
Available Widths:

- 1' 0"
- 1' 2"

8'0" DRM1380 FLUSH GLAZED 3/4 LITE DOOR

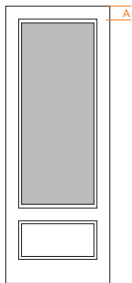
AVAILABLE SIZING

ARTWORK SCALE: 1/2"=1'



NOTE: BY REQUEST, DOOR HEIGHT COMES IN VARYING DIMENSIONS TO A MINIMUM OF 95". EXCESS WILL BE TAKEN FROM BOTTOM RAIL. ALL OTHER DIMENSIONS WILL REMAIN THE SAME.

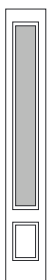
GLASS & DAYLIGHT OPENING



3/4 LITE		
2'6"	Glass Daylight	20" x 64" 19 1/4" x 63 1/4"
2'8"	Glass Daylight	22" x 64" 21 1/4" x 47 1/4"
3'0"	Glass Daylight	26" x 64" 25 1/4" x 63 1/4"
A = 4.44"		

A = DISTANCE FROM TOP OF DOOR TO TOP OF OPENING

MATCHING SIDELITES



SLM1380

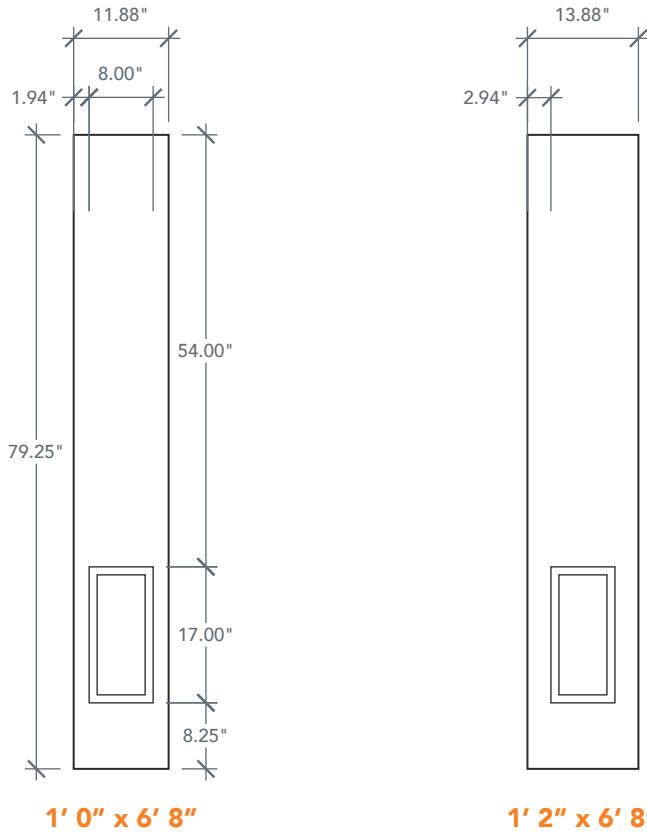
Available Widths:

- 1' 0"
- 1' 2"

6'8" SLM3D 3/4 DELUXE SIDELITE

AVAILABLE SIZING

ARTWORK SCALE: 1/2"=1'



1' 0" x 6' 8"

1' 2" x 6' 8"

NOTE: BY REQUEST, SIDELITE HEIGHT COMES IN VARYING DIMENSIONS TO A MINIMUM OF 79". EXCESS WILL BE TAKEN FROM BOTTOM RAIL. ALL OTHER DIMENSIONS WILL REMAIN THE SAME.

CUTOUTS & GLASS

3/4 OVAL LITE	
3V1	
ALL	Cutout 8" x 40 1/2"
	Glass 7" x 39 1/2"
A = 9.47"	

FULL LITE	
FL1	
ALL	Cutout 8" x 65"
	Glass 7" x 64"
A = 6.0"	

A = DISTANCE FROM TOP OF DOOR TO TOP OF OPENING

MATCHING DOORS

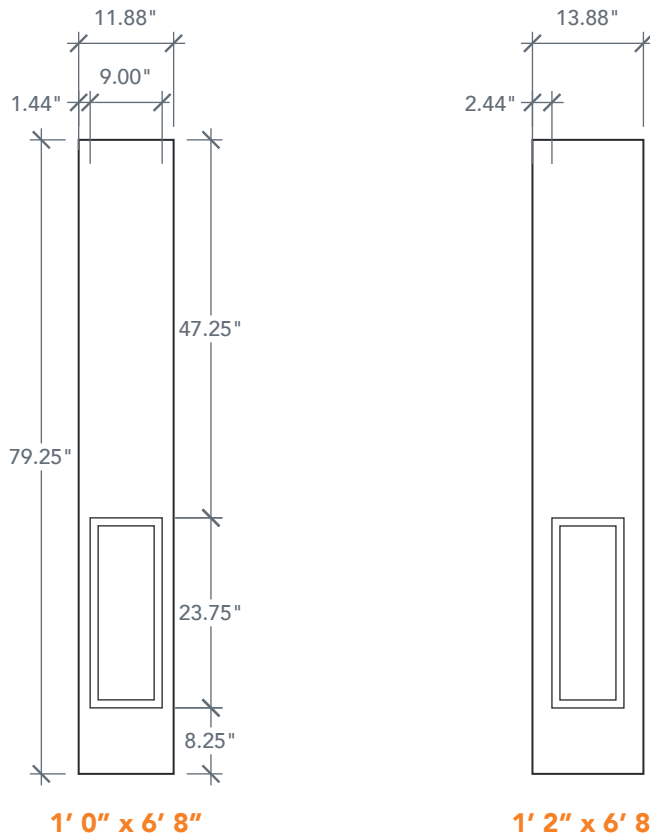
DRM3D

Available Widths:
3' 0"

6'8" SLM60 SIX PANEL SIDELITE

AVAILABLE SIZING

ARTWORK SCALE: 1/2"=1'



1' 0" x 6' 8"

1' 2" x 6' 8"

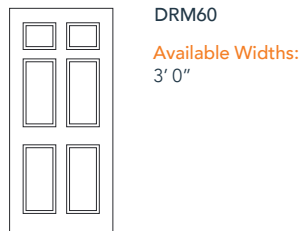
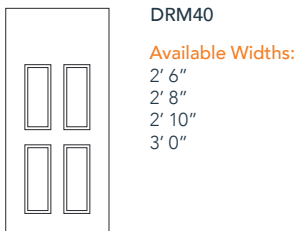
NOTE: BY REQUEST, SIDELITE HEIGHT COMES IN VARYING DIMENSIONS TO A MINIMUM OF 79". EXCESS WILL BE TAKEN FROM BOTTOM RAIL. ALL OTHER DIMENSIONS WILL REMAIN THE SAME.

CUTOUTS & GLASS



A = DISTANCE FROM TOP OF DOOR TO TOP OF OPENING

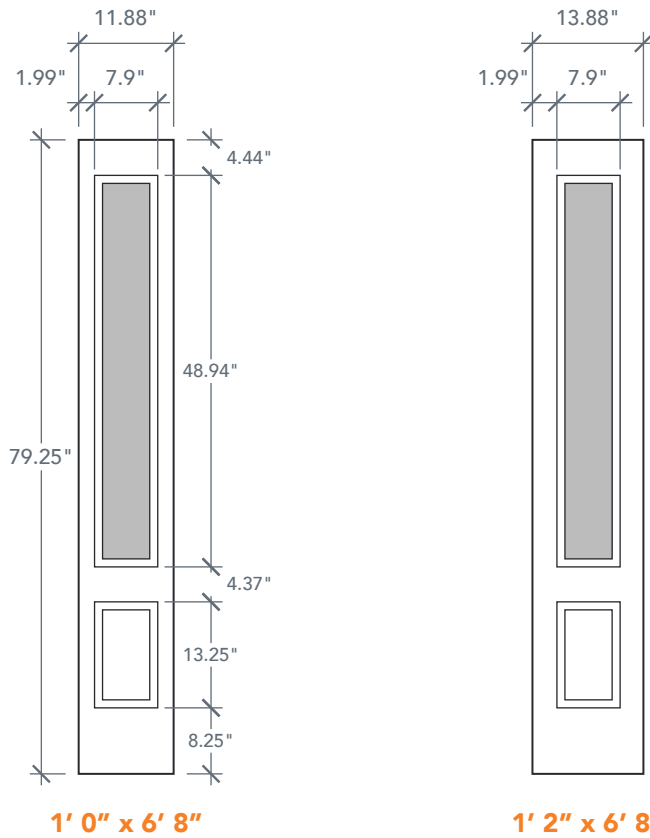
MATCHING DOORS



6'8" SLM13 FLUSH GLAZED 3/4 LITE SIDELITE

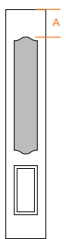
AVAILABLE SIZING

ARTWORK SCALE: 1/2"=1'



NOTE: BY REQUEST, SIDELITE HEIGHT COMES IN VARYING DIMENSIONS TO A MINIMUM OF 79". EXCESS WILL BE TAKEN FROM BOTTOM RAIL. ALL OTHER DIMENSIONS WILL REMAIN THE SAME.

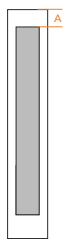
CUTOUTS & GLASS



3/4 OVAL LITE
3V1

ALL Cutout 8" x 40 1/2"
Glass 7" x 39 1/2"

A = 9.47"



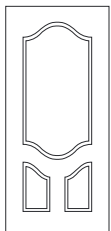
FULL LITE
FL1

ALL Cutout 8" x 65"
Glass 7" x 64"

A = 6.0"

A = DISTANCE FROM TOP OF DOOR TO TOP OF OPENING

MATCHING DOORS

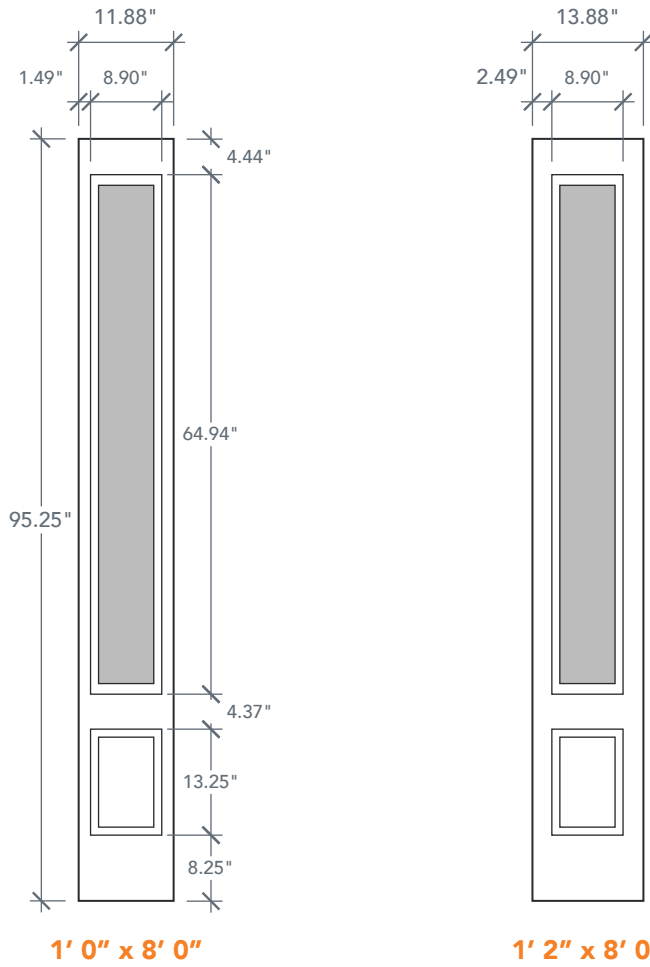


DRM3D
Available Widths:
3' 0"

6'8" SLM1380 FLUSH GLAZED 3/4 LITE

AVAILABLE SIZING

ARTWORK SCALE: 1/2"=1'



NOTE: BY REQUEST, SIDELITE HEIGHT COMES IN VARYING DIMENSIONS TO A MINIMUM OF 79". EXCESS WILL BE TAKEN FROM BOTTOM RAIL. ALL OTHER DIMENSIONS WILL REMAIN THE SAME.

CUTOUTS & GLASS



A = DISTANCE FROM TOP OF DOOR TO TOP OF OPENING

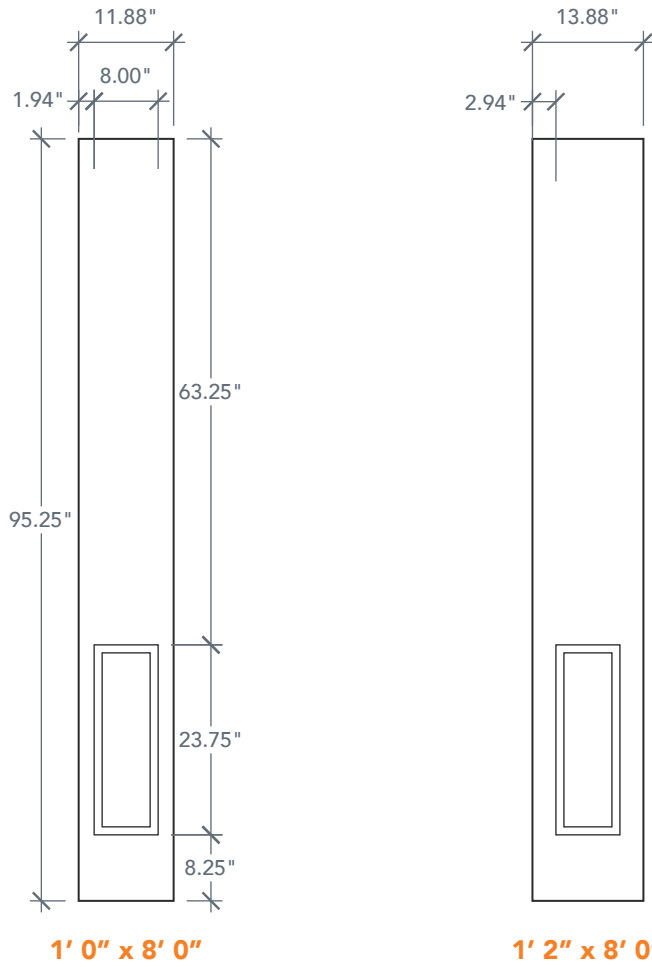
MATCHING DOORS



8'0" SLM6080 SIX PANEL SIDELITE

AVAILABLE SIZING

ARTWORK SCALE: 1/2"=1'



NOTE: BY REQUEST, SIDELITE HEIGHT COMES IN VARYING DIMENSIONS TO A MINIMUM OF 95". EXCESS WILL BE TAKEN FROM BOTTOM RAIL. ALL OTHER DIMENSIONS WILL REMAIN THE SAME.

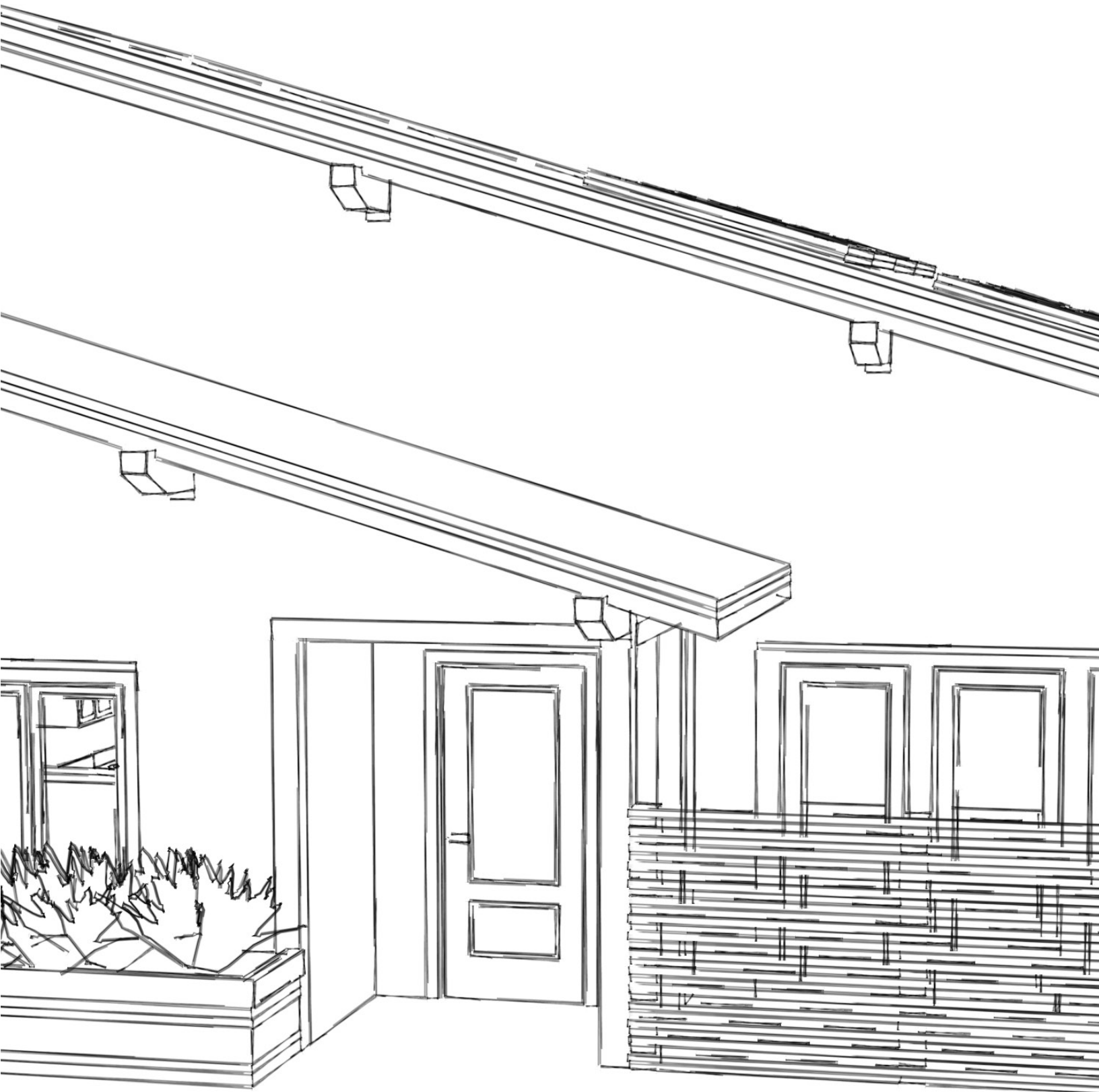
CUTOUTS & GLASS



A = DISTANCE FROM TOP OF DOOR TO TOP OF OPENING

MATCHING DOORS





LIMITED SERIES

Luxury and richness are the perfect words that come to mind when describing Plastpro's Limited Series graining. This line adds a whole new meaning to beauty, especially with our Knotty Adler model, which features a rich, grain patterned with knots. Additionally, our Teak model, has earned a spot in being a worldwide favorite for its divine, straight yet occasionally wavy or interlocked grain patterns. Selecting a door that gives a natural luster and deluxe feeling will be effortless and, in turn, you'll be walking away with an entryway you'd have to see to believe.

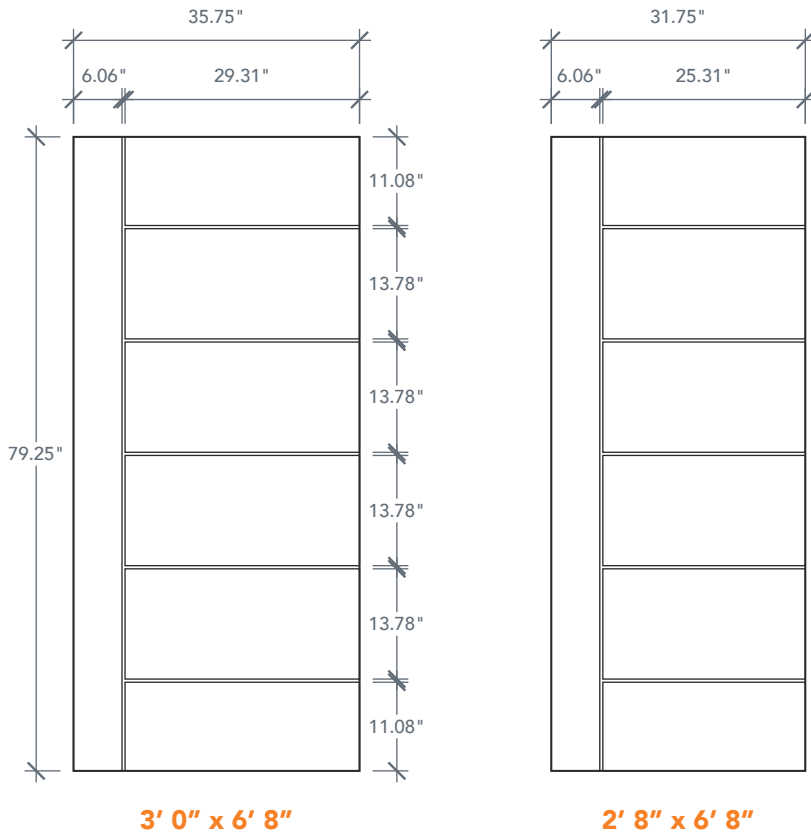
PG 222 - 225

6'8" DMT51 MILAN DOOR

TEAK GRAIN

AVAILABLE SIZING

ARTWORK SCALE: 1/2"=1'

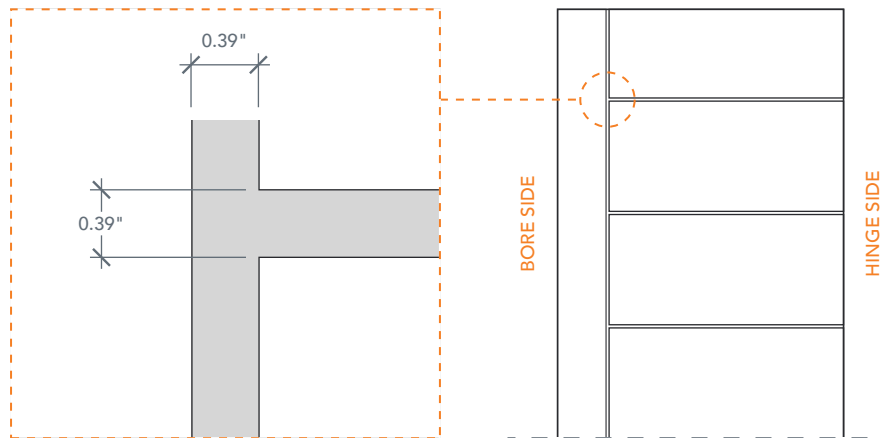


3' 0" x 6' 8"

2' 8" x 6' 8"

NOTE: BY REQUEST, DOOR HEIGHT COMES IN VARYING DIMENSIONS TO A MINIMUM OF 79". EXCESS WILL BE TAKEN FROM BOTTOM RAIL. ALL OTHER DIMENSIONS WILL REMAIN THE SAME.

CARVING DETAIL CLOSE UP



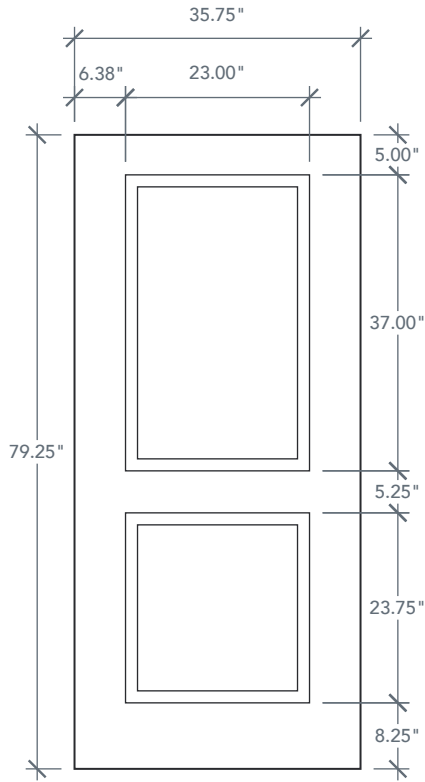
6'8" DRK2B TWO PANEL DOOR

KNOTTY ALDER

SQUARE PANEL & SQUARE TOP

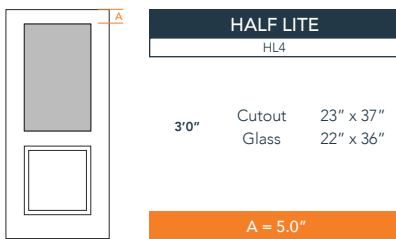
AVAILABLE SIZING

ARTWORK SCALE: 1/2"=1'

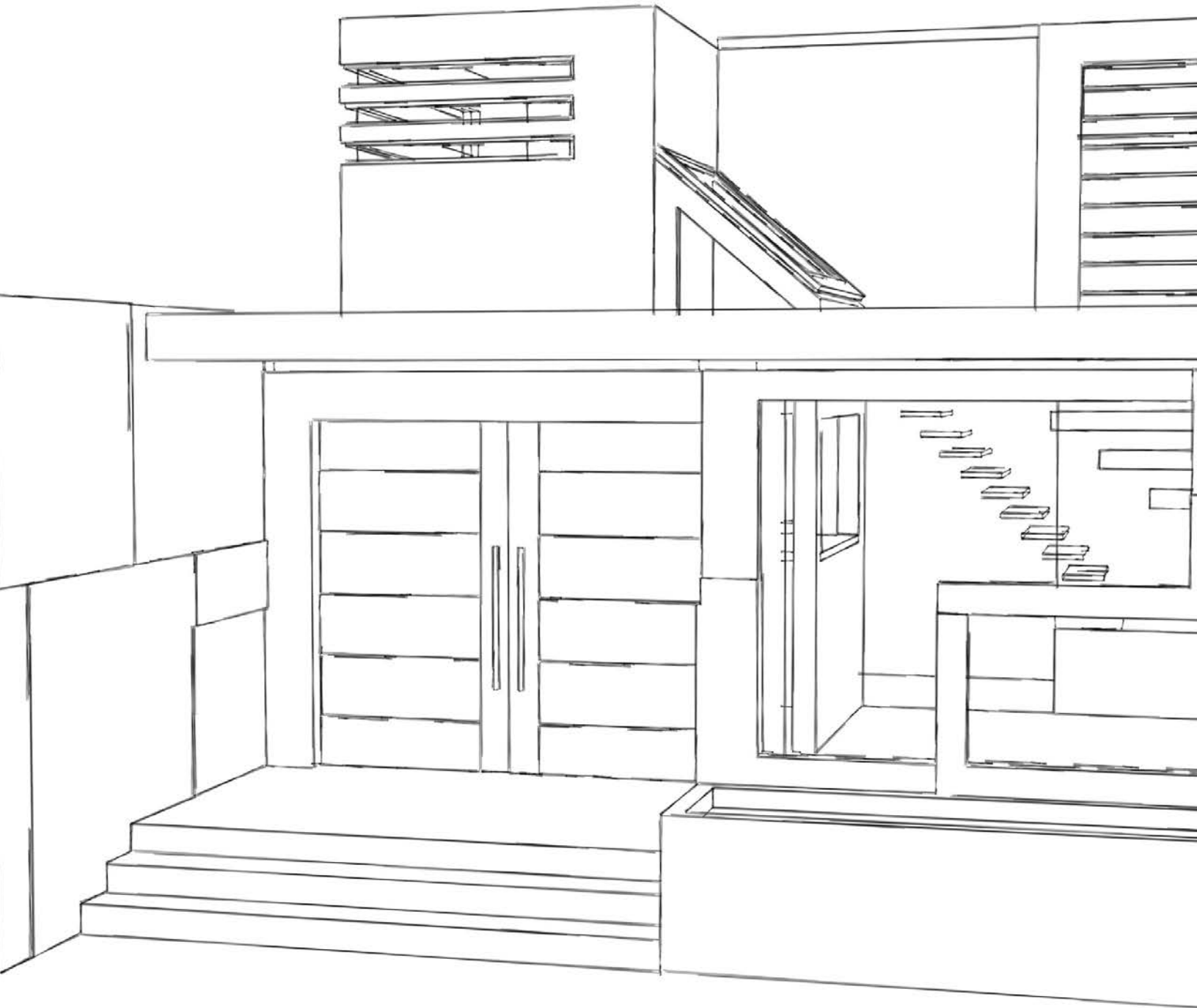


3' 0" x 6' 8"

NOTE: BY REQUEST, DOOR HEIGHT COMES IN VARYING DIMENSIONS TO A MINIMUM OF 79". EXCESS WILL BE TAKEN FROM BOTTOM RAIL. ALL OTHER DIMENSIONS WILL REMAIN THE SAME.



A = DISTANCE FROM TOP OF DOOR TO TOP OF OPENING



COMMERCIAL ADA SERIES

Plastpro's Commercial ADA Series complies with official ADA standards, offering accessible, durable, and attractive products suitable for public venues. These models feature extended top and bottom rails and added reinforcement to accommodate and support necessary hardware. Available in three heights, these functional doors also provide abundant natural light through the flush glazed glass full lite.

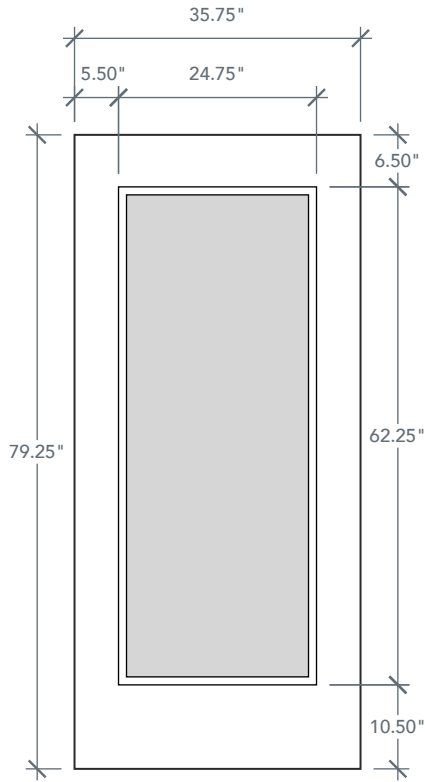
PG 226 - 229

6'8" DRS11 FLUSH GLAZED ADA DOOR

SMOOTH

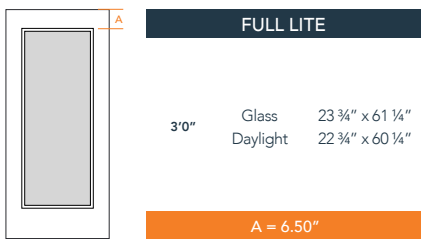
AVAILABLE SIZING

ARTWORK SCALE: 1/2"=1'



3' 0" x 6' 8"

GLASS & DAYLIGHT OPENING



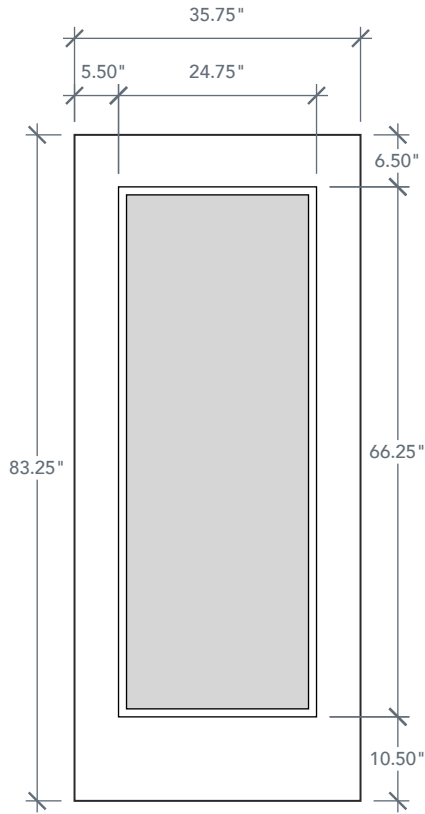
A = DISTANCE FROM TOP OF DOOR TO TOP OF OPENING

7'0" DRS1170 FLUSH GLAZED ADA DOOR

SMOOTH

AVAILABLE SIZING

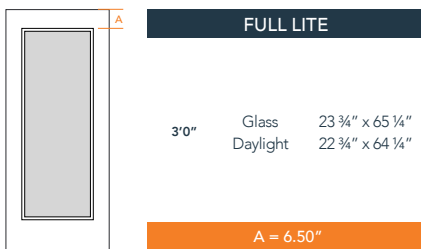
ARTWORK SCALE: 1/2"=1'



3' 0" x 7' 0"

NOTE: BY REQUEST, DOOR HEIGHT COMES IN VARYING DIMENSIONS TO A MINIMUM OF 89". EXCESS WILL BE TAKEN FROM BOTTOM RAIL. ALL OTHER DIMENSIONS WILL REMAIN THE SAME.

GLASS & DAYLIGHT OPENING



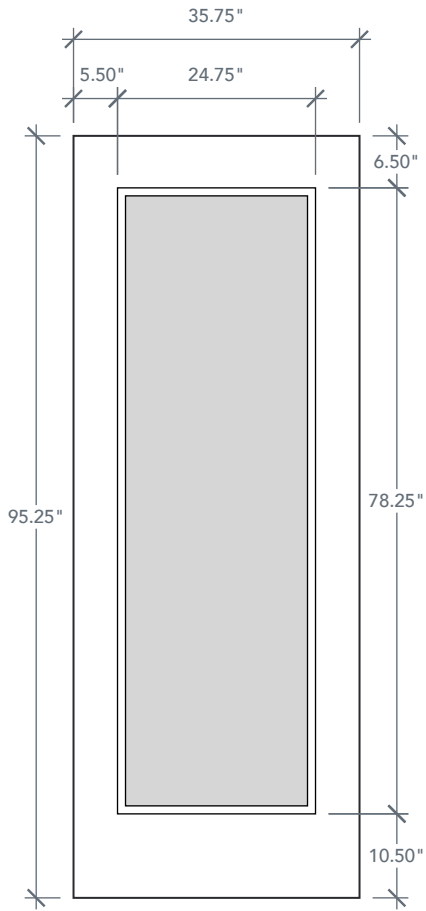
A = DISTANCE FROM TOP OF DOOR TO TOP OF OPENING

8'0" DRS1180 FLUSH GLAZED ADA DOOR

SMOOTH

AVAILABLE SIZING

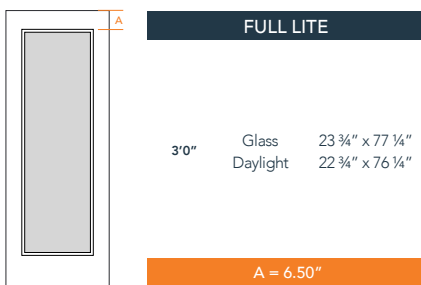
ARTWORK SCALE: 1/2"=1'



3' 0" x 8' 0"

NOTE: BY REQUEST, DOOR HEIGHT COMES IN VARYING DIMENSIONS TO A MINIMUM OF 95". EXCESS WILL BE TAKEN FROM BOTTOM RAIL. ALL OTHER DIMENSIONS WILL REMAIN THE SAME.

GLASS & DAYLIGHT OPENING



A = DISTANCE FROM TOP OF DOOR TO TOP OF OPENING

DOORLITE SERIES

A beautifully designed entryway helps set the stage for the rest of the home and creates a welcoming passage from public space to private abode. Nothing accompanies that transition better than our exclusive glass designs, which improve the look and value of the home.

Our doorlites are composed of a piece of decorative glass sealed between two pieces of tempered safety glass that provides exceptional security, soundproofing, and thermal performance. The state-of-the-art Warm Edge spacer system provides a seal that protects and insulates the door and home for years to come. Unlike the competition, our metal coming includes a gasket that cushions and protects the glass from chipping, cracking, and rattling during door movement.

PG 230 - 234

GLASS SIZES & CUTOUT CODES

341 8" x 48"	342 22" x 48"	343 25" x 48"	344 24 1/4" x 38"	346 29 3/8" x 50 1/4"	3R4 24 1/4" x 38"	3R5 25 3/8" x 50 1/4"
3R6 29 3/8" x 50 1/4"	3V1 7" x 39 1/2"	3V2 16.78" x 38.72"	3V3 13" x 53"	8C1 8" x 41"	8C2 9 3/4" x 41"	8C3 9 1/2" x 57 1/4"
9P1 7 1/2" x 18 1/2"	EYE 11 20/61" x 36 3/4"	FL1 7" x 64"	FL2 8" x 80"	FL5 20" x 64"	FL6 20" x 80"	FL7 22" x 64"
FL8 22" x 80"	HL2 8" x 36"	HL3 20" x 36"	HL4 22" x 36"	HL6 25 1/2" x 50"	HR1 22" x 10"	TL1 25 1/2" x 8 1/4"
TL3 25" x 15"	TL5 20" x 8 1/4"	TR1R 63" x 12"	TR2R 66 1/2" x 13"			

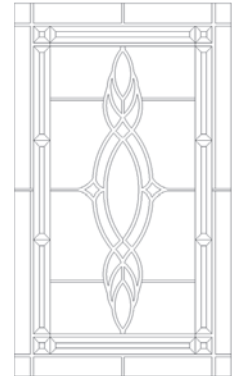
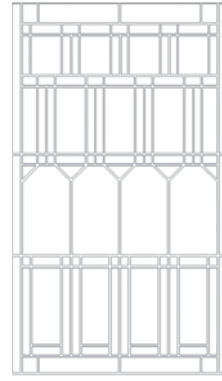
GLASS & SIZE

CAMELIA

PRISCILLA

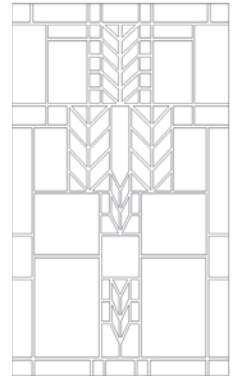
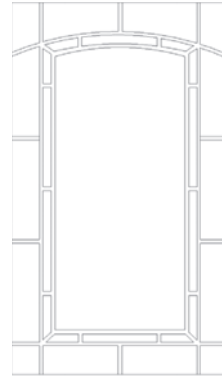
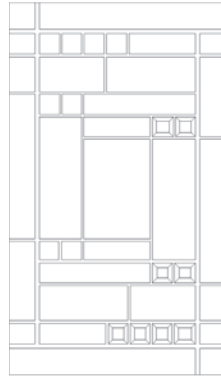
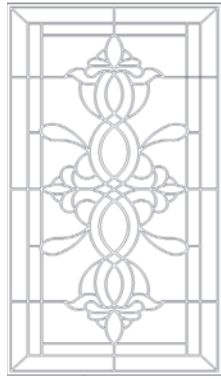
ARTESANO BREEZE

BRENTWOOD



341	8" x 48"			■	■
342	22" x 48"	■	■	■	■
343	25" x 48"				
344	24 1/4" x 38"	■	■		
346	29 3/8" x 50 1/4"	■	■		
3R4	24 1/4" x 38"	■	■		
3R5	25 3/8" x 50 1/4"	■	■		
3R6	29 3/8" x 50 1/4"	■	■		
3V1	7" x 39 1/2"				■
3V2	16.78" x 38.72"				■
3V3	13" x 53"				■
8C1	8" x 41"	■	■	■	■
8C2	9 3/4" x 41"	■	■	■	■
8C3	9 1/2" x 57 1/4"				■
9P1	7 1/2" x 18 1/2"				■
EYE	11 20/61" x 36 3/4"				■
FL1	7" x 64"	■	■	■	■
FL2	8" x 80"	■	■	■	■
FL5	20" x 64"	■	■	■	
FL6	20" x 80"	■	■		
FL7	22" x 64"	■	■	■	■
FL8	22" x 80"	■	■	■	■
HL2	8" x 36"			■	■
HL3	20" x 36"			■	
HL4	22" x 36"			■	■
HL6	25 1/2" x 50"	■	■		
HR1	22" x 10"				
TL1	25 1/2" x 8 1/4"			■	
TL3	25" x 15"			■	■
TL5	20" x 8 1/4"			■	
TR1R	63" x 12"	■	■	■	■
TR2R	66 1/2" x 13"	■	■	■	■

GLASS & SIZE	CASTILE	KENSINGTON	SOLSTICE	SPRING
--------------	---------	------------	----------	--------



341	8" x 48"	■	■	■	■
342	22" x 48"	■	■	■	■
343	25" x 48"	■			
344	24 ¼" x 38"				
346	29 ¾" x 50 ¼"				
3R4	24 ¼" x 38"				
3R5	25 ¾" x 50 ¼"				
3R6	29 ¾" x 50 ¼"				
3V1	7" x 39 ½"	■			
3V2	16.78" x 38.72"	■			
3V3	13" x 53"	■			
8C1	8" x 41"				
8C2	9 ¾" x 41"				
8C3	9 ½" x 57 ¼"	■			
9P1	7 ½" x 18 ½"				■
EYE	11 20/61" x 36 ¾"				
FL1	7" x 64"	■	■	■	■
FL2	8" x 80"	■	■	■	■
FL5	20" x 64"	■	■	■	
FL6	20" x 80"				
FL7	22" x 64"	■	■	■	■
FL8	22" x 80"	■	■	■	
HL2	8" x 36"	■	■	■	■
HL3	20" x 36"	■	■	■	
HL4	22" x 36"	■	■	■	■
HL6	25 ½" x 50"	■			■
HR1	22" x 10"	■			
TL1	25 ½" x 8 ¼"				■
TL3	25" x 15"			■	■
TL5	20" x 8 ¼"				
TR1R	63" x 12"	■	■	■	■
TR2R	66 ½" x 13"	■	■	■	■





STAINING GUIDES

MATERIALS NEEDED

- Pre-Mixed Oil-Based Stain (1/2 pint)
- Mineral Spirits (4 fl. oz.)
- Topcoat/Sealer (20 fl. oz.)
- Two Lint-free Clean Cloths
- One Pair Protective Glove
- 3" China Bristle Brush
- Two Stir Sticks
- Two Skin Samples
- Finishing Instruction

STAINING INSTRUCTIONS

SURFACE PREPARATION

- Lay door horizontally on sawhorses or a table.
- Remove all the hardware and mask off anything you don't want stained, such as the glass insert.

DO NOT SAND TEXTURED FIBERGLASS

- Wipe the Door with mineral spirits to clean any dust or residue from the surface. Allow door surface to dry completely before applying stain.



STAIN APPLICATION

Wood Grain Doors:

- Starting at the center of the Door, stain one to two panels at a time. Apply stain with a 3" to 4" soft bristle brush, or rag. Apply enough stain to fill the Door grain.
- With a clean cloth softly wipe the surface until you reach your desired tone. TIP: When the rag becomes saturated with stain, refold to work with a less saturated section. Be sure to use the same rag for the whole Door.
- After all stain is brushed evenly, you may add finishing touches by using a small 1" to 2" brush or cotton swabs.
- If desired allow the Door to dry following the manufacturer's instructions for drying time between coats, then repeat the above process.

Brushed Finish Doors (Nova 90):

- Mix stain with stir stick. Apply stain with a 3" to 4" soft bristle brush
- Wait 5-10 minutes then wipe off excess stain using a clean cloth.
- To stain smooth stiles of the door brush the stain on and do not wipe it off.
- Allow the Door to dry following the manufacturer's instructions for drying time between coats, then repeat the above process.



PROTECTIVE TOPCOAT

Application of polyurethane topcoat with UV inhibitors like ZAR™ Exterior polyurethane, Wood Kote® Flagship UV, or Minwax® Fast Drying Polyurethane for exterior applications.

- After stain has completely dried (48 hours) mix the topcoat well and apply evenly using a clean, dry 2" soft bristle brush or 3" foam brush. Be sure to stop when the grain changes direction.
- Apply two or three coats of finish, allowing at least 24 hours of drying time between each application.



PAINTING GUIDES

MATERIALS NEEDED

- Lint-free Cloth
- Mineral Spirits
- Rubber Gloves
- Masking Tape
- 4" Bristle Brush
- For water-based application: acrylic-based primer* / acrylic latex-based exterior grade paint

For Smooth Doors ONLY

- Scotch Brite Pad (Fine) or 320-400 grit sandpaper

We recommend using Sherwin-Williams PrepRite® Bonding Primer with compatible acrylic-latex paint for optimal paint adhesion.

PAINTING INSTRUCTIONS

SURFACE PREPARATION

- Lay door horizontally on sawhorses or a table.
- Remove all the hardware and mask off anything you don't want painted, such as the glass insert.

- **Smooth Doors ONLY:** Lightly scuff/sand the surface with a Scotch Brite pad or fine sand paper.

DO NOT SAND TEXTURED FIBERGLASS.

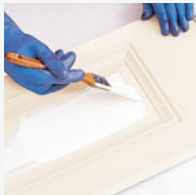
- Wipe the door with mineral spirits to clean any dust or residue from the surface. Allow acetone to dry from the surface before applying.
- Do not use hydro-carbon based solvents to clean the surface as such products may leave a residue.

PRIMING

- Apply primer with a 4" brush beginning with the panels. Follow the manufacturer's instructions for drying time before applying topcoat. Continue to apply the primer to ALL 6 sides. Doors which have been bored and mortised, or machined for hardware should be primed inside of the lock bore, or prepped area as well.
- The primer must be completely dry before applying the topcoat.

PAINTING

- Apply exterior grade paint with a 4" brush beginning with the panels.
- It is a common practice to paint both door stiles the same color as the exterior side of the door. If applying a second coat, follow the manufacturer's instructions for drying time between coats.
- Continue to apply the topcoat to ALL 6 sides of the door which have been bored and mortised for hardware- should be finished inside of the lock bore as well.



IMPORTANT TO NOTE: It is considered normal maintenance to re-apply the topcoat approximately every two years. Even a well-finished fiberglass door will be affected by exposure and weathering from sun, moisture, and air pollutants.

CAUTION: Read and follow all the manufacturer's safe use instructions before using any chemical product.

TESTING RESULTS

ASTM D1761	Screw holding capacity.
NWWDA TM-7	Cycle slam test.
NWWDA TM-8	Hinge load resistance test.
ASTM E 283	Air infiltration.
ASTM E 331 / E 547	Water resistant.
ASTM E 330	Uniform structural load.
ASTM E1886 / E1996	Impact / cycle test.
AAMA 1304	Forced entry resistance test.
TAS 201	Impact test.
TAS 202	Air / water / structural test.
TAS 203	Wind pressure cycle test.
NFRC 100 / 200 / 500	Energy efficiency.
ASTEM E90 / STC / OITC	Sound transmission.
ULC 10 C / NFPA 252 / ASTM E 2074	Fire rated.
CDPH / EHLB METHOD V1.1 2010	Volatile organic chemical emission test.
JIS Z 2801:2001	Antimicrobial products test.
ASTM D1413-07	Antifungal wood plastic composite test.
CSFM 12-7A-1	Exterior wildfire exposure test.
AAMA 1702	Exterior door test for manufactured housing.
AAMA 920	Operating cycle test.
AAMA / WDMA / CSA 101 / I.S./A440 (NAFS)	North America fenestration test.

The PLASTPRO DOOR met requirements for sawing, planing, routing, boring, drilling and chiseling. For more specific results, please see our website at www.plastproinc.com or contact our Customer Service Department at 1 (800) 779-0561.



WARNING: These products may include styrene, titanium dioxide, and wood dust, which are known to the State of California to cause cancer. For more information go to www.p65warnings.ca.gov



www.plastproinc.com

5200 W. Century Blvd, 9th Floor ■ Los Angeles, CA 90045

Phone: (800) 779-0561 ■ Fax: (310) 693-8620



© 2026 Plastpro Inc. All Rights Reserved

Product # MKLSB2026 Updated April 2026