



THE DOOR OF BEAUTY & INNOVATION



TABLE OF CONTENTS

INTRODUCTION	1-5	WHITE OAK SERIES	166-177
Introduction	2-3	Door Specs	167-173
Plastpro's Quality	4	Sidelite Specs	174-176
Door Specifications	5		
LIMITED SERIES	6-9	ONELITE SERIES	178-185
Door Specs	7-8	Door Specs	179-184
		Sidelite Specs	185
MODERN SERIES	10-17	NOVA SERIES	186-203
Door Specs	11-17	Door Specs	187-193
		Sidelite Specs	194-197
CRAFTSMAN SERIES	18-47	Accessory Specs	198-202
Door Specs	19-32		
Sidelite Specs	33-40	DOORLITE SERIES	204-208
Accessory Specs	41-46	Glass Sizes & Cutout Codes	205
		Glass Size Charts	206-207
RUSTIC SERIES	48-65	Solution Doorlite Series	208
Door Specs	49-60		
Sidelite Specs	61	TESTING RESULTS	
Accessory Specs	62-65		
MAHOGANY SERIES	66-75		
Door Specs	67-71		
Sidelite Specs	72-74		
OAK SERIES	76-115		
Door Specs	77-102		
Sidelite Specs	103-114		
Accessory Specs	115		
SMOOTH SERIES	116-165		
Door Specs	117-150		
Sidelite Specs	151-162		
Accessory Specs	163-164		



ABOUT PLASTPRO

Doors are often chosen for their aesthetic qualities; however, their purposes strive beyond simply adding a cohesive look to our homes. They reflect our style, grant privacy, and offer protection for the people we value most in our lives. Our front doors are the gateway for welcoming guests, loved ones, and friends. From ushering us into the start of the day and later welcoming us back, doors are an essential and inviting piece to every house. We want you to choose a door that guarantees security, accommodates your needs, and most importantly, best represents you.

Since 1994, Plastpro has always believed in providing a superior product with the best value, technology and commitment to our customers. We know how important it is to provide quality service and valuable resources to those in the industry. Wood and steel doors were historically preferred in the industry, but both come with long-term problems. Wood doors are susceptible to rot, warp, mildew and weather damage which require extensive maintenance to prevent these issues. Steel doors can be cost effective, but can easily damage, dent, ding, and rust requiring the steel door to be replaced more frequently negating any initial savings. Fortunately, Plastpro's fiberglass doors have become the best modernized solution for these longevity issues. They withstand weather damage, require minimal maintenance, and offer higher performance ratings. Our exclusive HydroShield Technology protects our doors against moisture and humidity infiltration by creating a fully composite barrier that encases and protects the door on all six sides. Plastpro doors' internal polyurethane foam serves as a strong insulation from the outdoor elements of cold and heat. We are the first company to introduce our signature fiberglass doors with composite stiles and rails, which have twice the screw-holding strength of wood. Plastpro doors feature a full length LVL (Laminated Veneer Lumber) block that provides stronger structural integrity and allows a range of door locks and hardware to be installed for increased security. We also offer our uniquely formulated PF (Polyfiber) Frames as a structurally sound and longer-lasting alternative to traditional door jambs. With both a Plastpro door and PF Frame, you create an impenetrable entryway. Plastpro products have the durability and design to protect any home.

From the beginning, we've been dedicated to providing superior products and supporting the lower income infrastructures of our society. We believe in making a difference in the world by creating authentic, positive change for our employees, customers and communities. We've continuously partnered with Habitat for Humanity to create affordable, green houses for low-income families across the nation. More than 500 doors have been donated from Plastpro to various chapters of Habitat for Humanity and other non-profit organizations. When you buy from Plastpro, not only do you acquire a quality door, you also aid us in giving back to others.

WARRANTY

We are proud to offer one of the best warranties in the industry. Plastpro products are held to high standards. We stand behind our products and guarantee the best quality to meet your performance expectations.

TECHNOLOGY

Plastpro brings the latest technological advancements to the industry to meet the needs of our customers. Our commitment to quality is backed by extensive research and vertical integration, ensuring consistently innovative products. Through vertical integration, we control each stage of development, prioritizing improvement from raw materials to the finished product. Since the opening of our Ashtabula, Ohio plant in 2005, Plastpro has achieved even greater quality control, as well as the flexibility to create new products to better react to market need and demand. We're able to offer homeowners the widest possible choice of product designs and sizes. From our design process, to the assembly and delivery of our products, Plastpro ensures everything we do meets our rigorous standards. We have built a reputation for offering the best quality and innovative products through extensive research and technological developments.

SUSTAINABILITY

Plastpro also does our part to preserve the environment by creating sustainable products. For us, sustainability means balancing our environmental, economic, and social goals. Fiberglass is a natural choice for consumers seeking green, sustainable building materials.

Our fiberglass doors are a great, green alternative because they are durable, have a longer lifespan, are energy efficient, and environmentally friendly. We are especially proud of our proprietary foam core- not only does it provide superior insulation, it is compliant with the Environmental Protection Agency's SNAP 20 regulations for cleaner air, contains no Volatile Organic Compounds, and makes use of more sustainable alternatives for foam blowing agents when possible- both zero-ozone-depleting blowing agents and low Global Warming Potential (GWP) blowing agents.

And we can't leave out our fiberglass itself: the material is designed to last for decades and is impervious to time, temperature, and corrosive agents, leading to less waste. The longer lifecycle of the fiberglass material also makes Plastpro doors more cost effective and reduces the amount of resources needed for manufacturing. Plastpro doors require less maintenance than traditional wood doors, which consumes a large part of a building's budget. Over a building's lifetime, maintenance can easily exceed the original construction costs.

ENERGY EFFICIENT

Plastpro is committed to providing sustainable products for our customers while maintaining the integrity and balance of natural resources. Choosing a Plastpro door means selecting the best value for you, while minimizing your long-term environmental impact.

Fiberglass doors are one of the most energy-efficient building products available on the market. Our fiberglass doors maximize insulation with high-density, polyurethane foam cores. Thorough insulation is one of the best ways to reduce energy consumption and building operation costs by sealing out the elements. Therefore, our ENERGY STAR Qualified Doors offer homeowners savings by conserving electricity and lowering bills, while also improving comfort and helping protect the environment.

SECURITY

As a door company, one of our most important goals is providing families with safe homes, which is why the anatomy of our fiberglass doors has been thoughtfully designed to provide one of the most secure doors on the market. Fiberglass doors are much less likely to be dented or damaged by impact compared to their wood counterparts. Plastpro's door skins are manufactured with SMC skin technology, a glass fiber reinforced polyester material that is even stronger than standard fiberglass- making our doors extremely resistant against outside force. Meanwhile, the inside of a Plastpro door is filled with high-density foam that provides firm structural support due to its rigid, tight packing.

Plastpro's doors are also equipped with a full-length lockblock made of laminated veneer lumber (LVL). Most other fiberglass doors have lockblocks that only surround the immediate 18- 20" vicinity of the lock, and the rest of the space above and below is filled in with foam. However, our lumber runs the full vertical length of the door, providing additional rigidity that prevents the door from being kicked in by an intruder or blown in by severe weather. Additionally, the LVL material will absorb bendable stress without snapping, unlike a wood material. Of course, the extended lockblock length also adds holding strength for the lock and can easily accommodate any lock or additional hardware you choose.

PLASTPRO'S QUALITY

PATENTED HYDROSHIELD™ TECHNOLOGY

Our exclusive HydroShield Technology protects our doors against moisture and humidity infiltration by creating a fully composite barrier that encases and protects the door on all six sides. It prevents warping, delamination, corrosion, rotting, and the buildup of mold and mildew. When paired with our PF (Polyfiber) Door Frames, our doors with HydroShield Technology create an impenetrable entryway.



1 FIBERGLASS REINFORCED DOOR SKIN

Our exclusive formula is measured precisely to ensure each skin is produced to the highest quality. We offer many design options, including customizable panel configurations. The skins require little maintenance and will not splinter, dent, warp, rot, or rust. Choose a door skin from a variety of grains that can be painted or stained.

2 FULL-LENGTH COMPOSITE STILES

Our full-length, composite stiles protect the door from external moisture to prevent warping or rotting. They have twice the screw-holding strength of wood.

3 COMPOSITE TOP & BOTTOM RAILS

High-strength, composite top and bottom rails prevent moisture from seeping into the door and prevent the buildup of mold.

4 EXTENDED LOCKBLOCK

Plastpro's full-length LVL allows any type of lock to be placed for increased security. Our 8/0 doors have a steel bar in addition to the LVL to help increase the structure's rigidity.

5 POLYURETHANE FOAM CORE

Our advanced, CFC-free, high-density, polyurethane foam core enhances the door's soundproofing capabilities and provides insulation up to six times greater than wood doors.



BACKED BY WARRANTY

We are proud to offer one of the best warranties in the industry. Plastpro products are held to high standards. We stand behind our products and guarantee the best quality to meet your performance expectations.

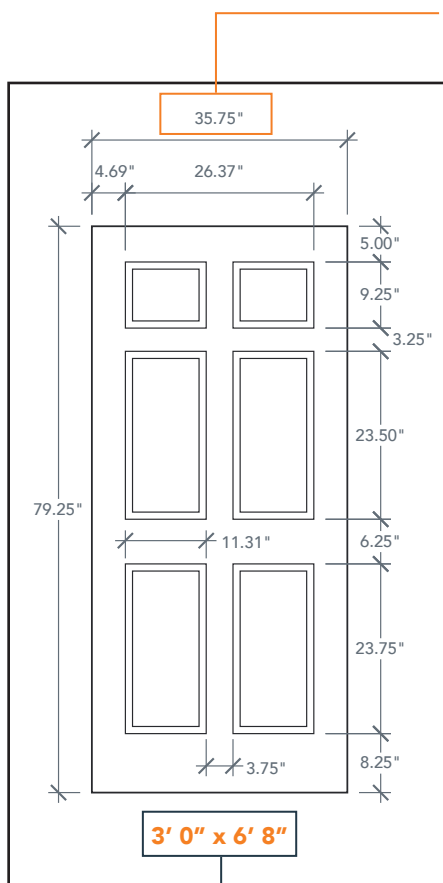
DOOR SPECIFICATIONS

PLASTPRO DOOR SIZES				
WIDTH		X	HEIGHT	
2' 0"	23 ¾"		X	6' 8"
2' 4"	27 ¾"	7' 0"		83 ¼"
2' 6"	29 ¾"	8' 0"		95 ¼"
2' 8"	31 ¾"			
2' 10"	33 ¾"			
3' 0"	35 ¾"			
3' 6"	41 ¾"			

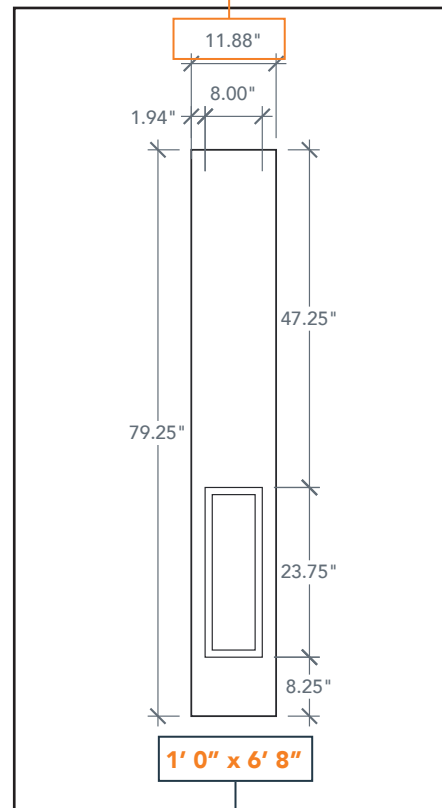
- Nominal Size
 - Actual Size
- Door Thickness: 1 ¾"

PLASTPRO SIDELITE SIZES				
WIDTH		X	HEIGHT	
1' 0"	11 ⅞"		X	6' 8"
1' 2"	13 ⅞"	7' 0"		83 ¼"
		8' 0"		95 ¼"

- Nominal Size
 - Actual Size
- Sidelite Thickness: 1 ¾"



ACTUAL SIZE



NOMINAL SIZE

LIMITED SERIES

Luxury and richness are the perfect words that come to mind when describing Plastpro's Limited Series graining. This line adds a whole new meaning to beauty, especially with our Knotty Adler model, which features a rich, grain patterned with knots. Additionally, our Teak model, has earned a spot in being a worldwide favorite for its divine, straight yet occasionally wavy or interlocked grain patterns. Selecting a door that gives a natural luster and deluxe feeling will be effortless and, in turn, you'll be walking away with an entryway you'd have to see to believe.

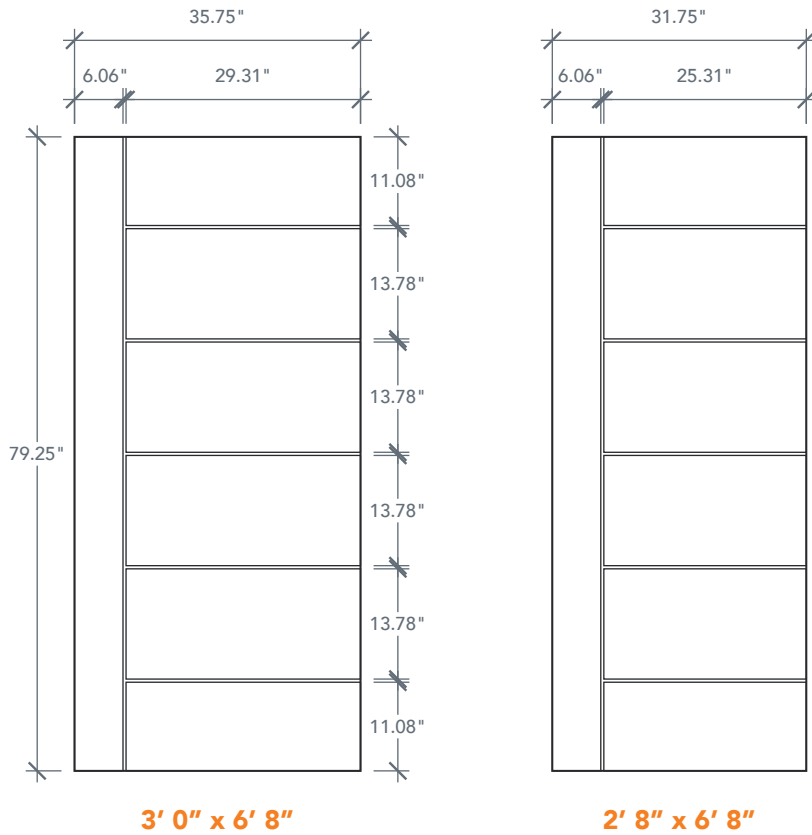
PG 6 - 9

6'8" DMT51 MILAN DOOR

TEAK GRAIN

AVAILABLE SIZING

ARTWORK SCALE: 1/2"=1'

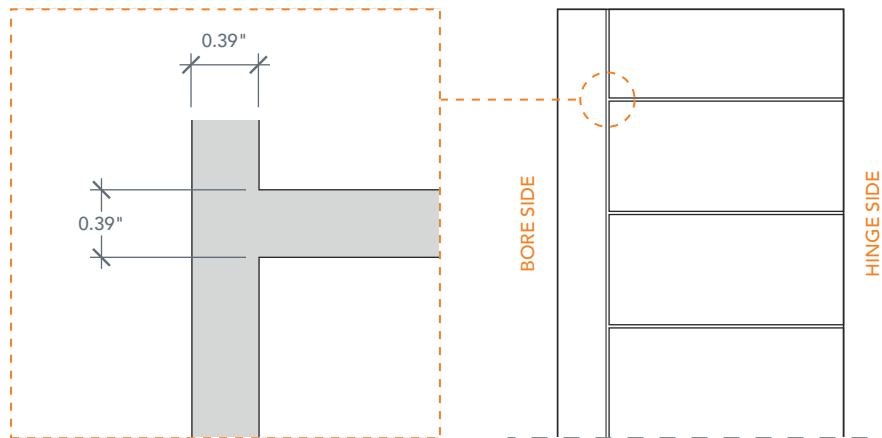


3' 0" x 6' 8"

2' 8" x 6' 8"

NOTE: BY REQUEST, DOOR HEIGHT COMES IN VARYING DIMENSIONS TO A MINIMUM OF 79". EXCESS WILL BE TAKEN FROM BOTTOM RAIL. ALL OTHER DIMENSIONS WILL REMAIN THE SAME.

CARVING DETAIL CLOSE UP



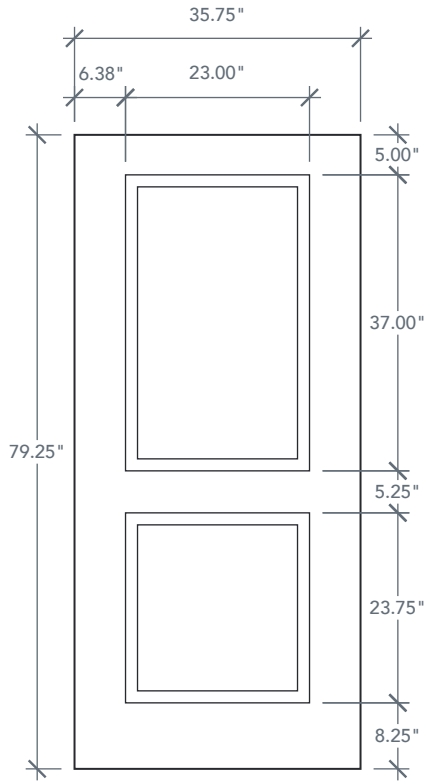
6'8" DRK2B TWO PANEL DOOR

KNOTTY ALDER

SQUARE PANEL & SQUARE TOP

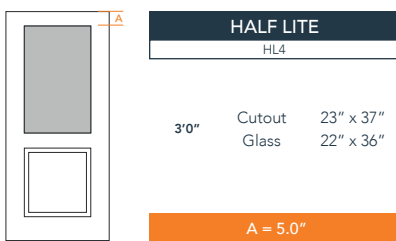
AVAILABLE SIZING

ARTWORK SCALE: 1/2"=1'



3' 0" x 6' 8"

NOTE: BY REQUEST, DOOR HEIGHT COMES IN VARYING DIMENSIONS TO A MINIMUM OF 79". EXCESS WILL BE TAKEN FROM BOTTOM RAIL. ALL OTHER DIMENSIONS WILL REMAIN THE SAME.



A = DISTANCE FROM TOP OF DOOR TO TOP OF OPENING



MODERN SERIES

There's something special about a clean, minimalistic modern look that magically draws us in, which explains why Plastpro had to launch the compelling Modern Series. An effortless, contemporary door design that makes any home's exterior profoundly refreshing. It all makes sense why this series lies in popular demand. Available in our oak grain and smooth doors, our simple panel details and single patterned glass adds a sharp flare to upscale the look of any home.

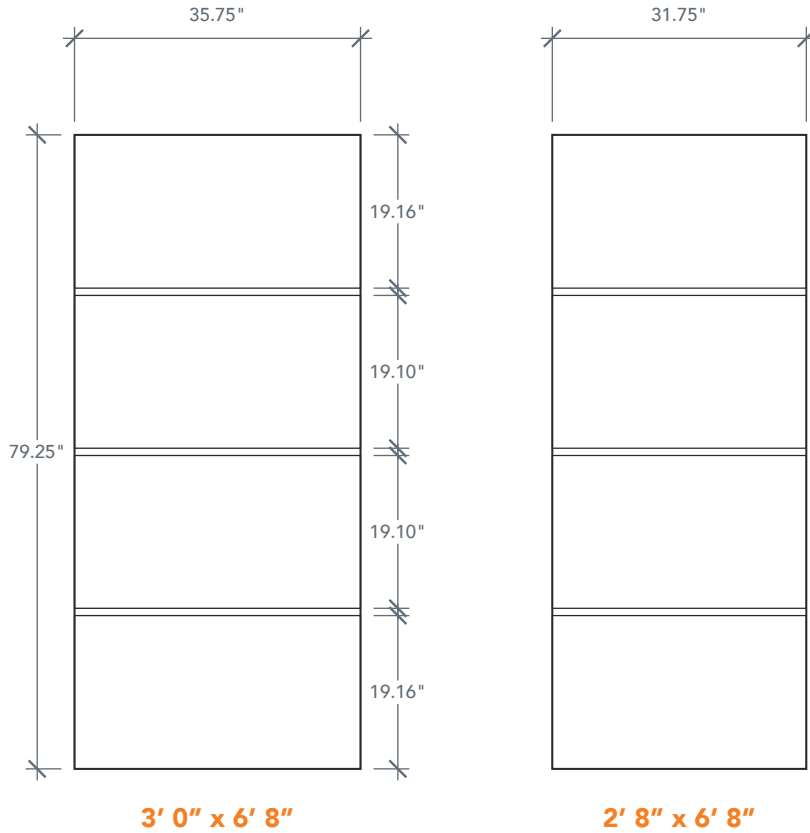
PG 10 - 17

6'8" DMG46 SOUTH BEACH DOOR

OAK GRAIN

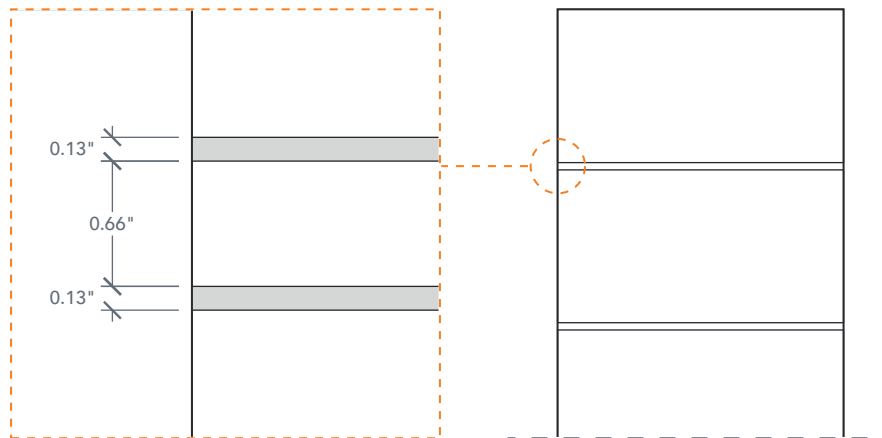
AVAILABLE SIZING

ARTWORK SCALE: 1/2"=1'



NOTE: BY REQUEST, DOOR HEIGHT COMES IN VARYING DIMENSIONS TO A MINIMUM OF 79". EXCESS WILL BE TAKEN FROM BOTTOM RAIL. ALL OTHER DIMENSIONS WILL REMAIN THE SAME.

CARVING DETAIL CLOSE UP

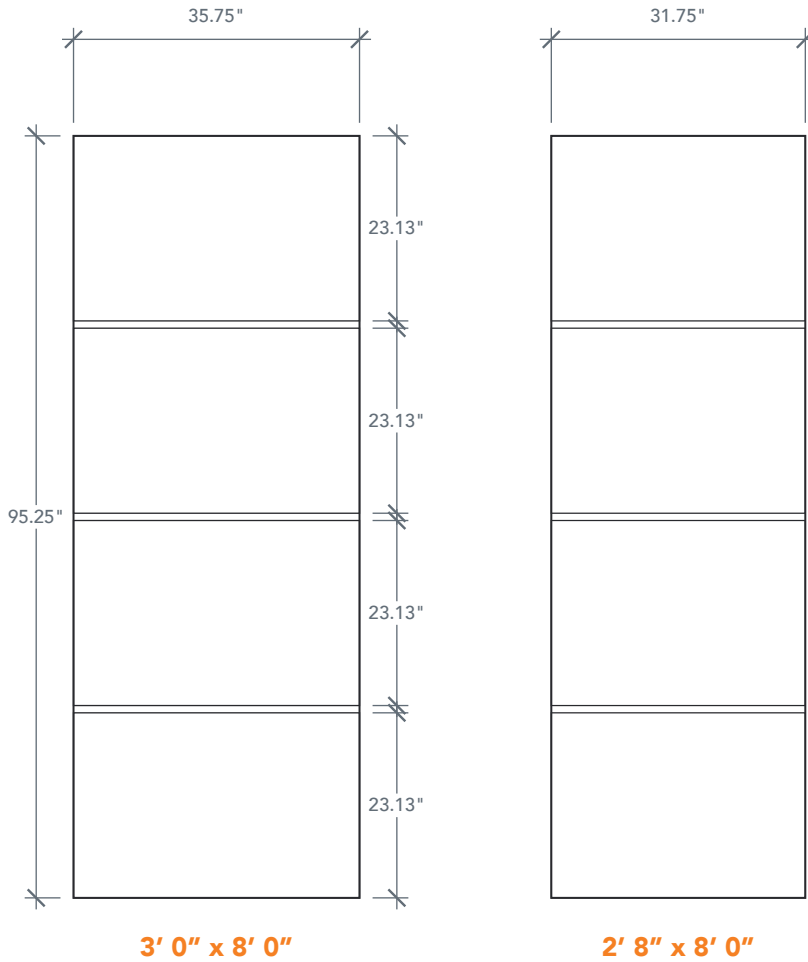


8'0" DMG4680 SOUTH BEACH DOOR

OAK GRAIN

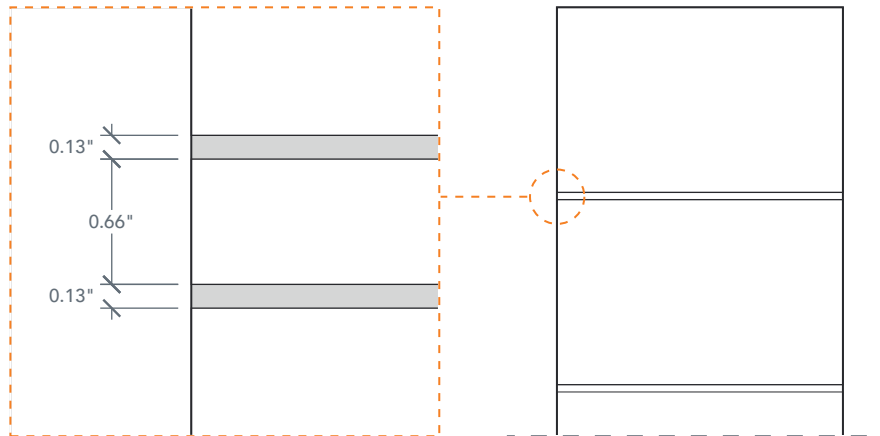
AVAILABLE SIZING

ARTWORK SCALE: 1/2"=1'



NOTE: BY REQUEST, DOOR HEIGHT COMES IN VARYING DIMENSIONS TO A MINIMUM OF 95". EXCESS WILL BE TAKEN FROM BOTTOM RAIL. ALL OTHER DIMENSIONS WILL REMAIN THE SAME.

CARVING DETAIL CLOSE UP

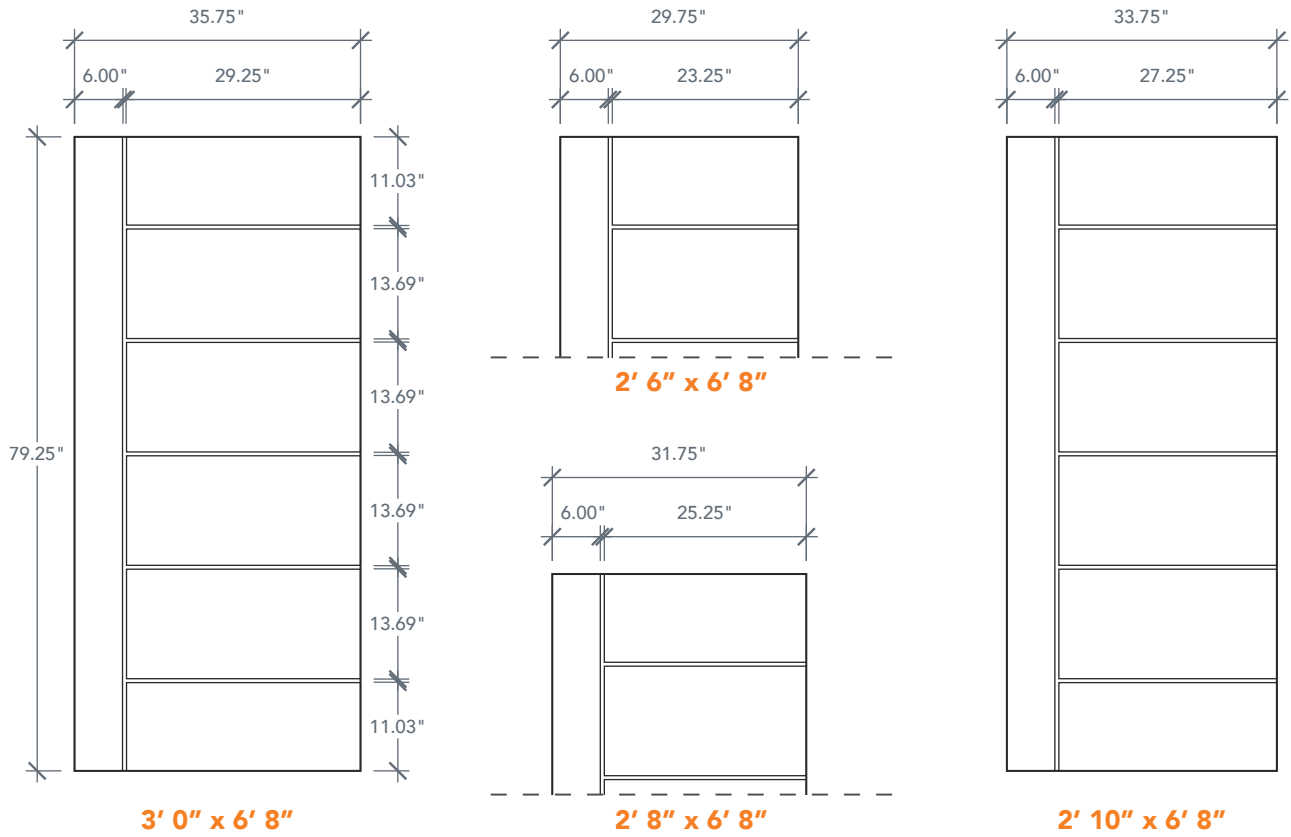


6'8" DMG51 NAPOLI DOOR

OAK GRAIN

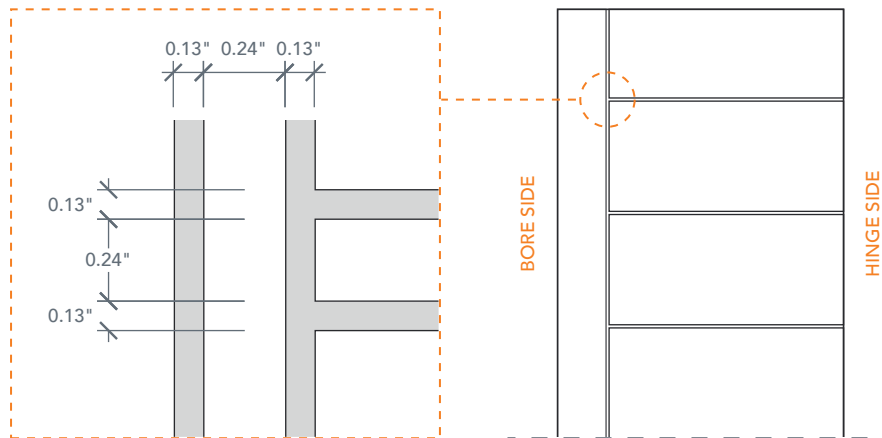
AVAILABLE SIZING

ARTWORK SCALE: 1/2"=1'



NOTE: BY REQUEST, DOOR HEIGHT COMES IN VARYING DIMENSIONS TO A MINIMUM OF 79". EXCESS WILL BE TAKEN FROM BOTTOM RAIL. ALL OTHER DIMENSIONS WILL REMAIN THE SAME.

CARVING DETAIL CLOSE UP

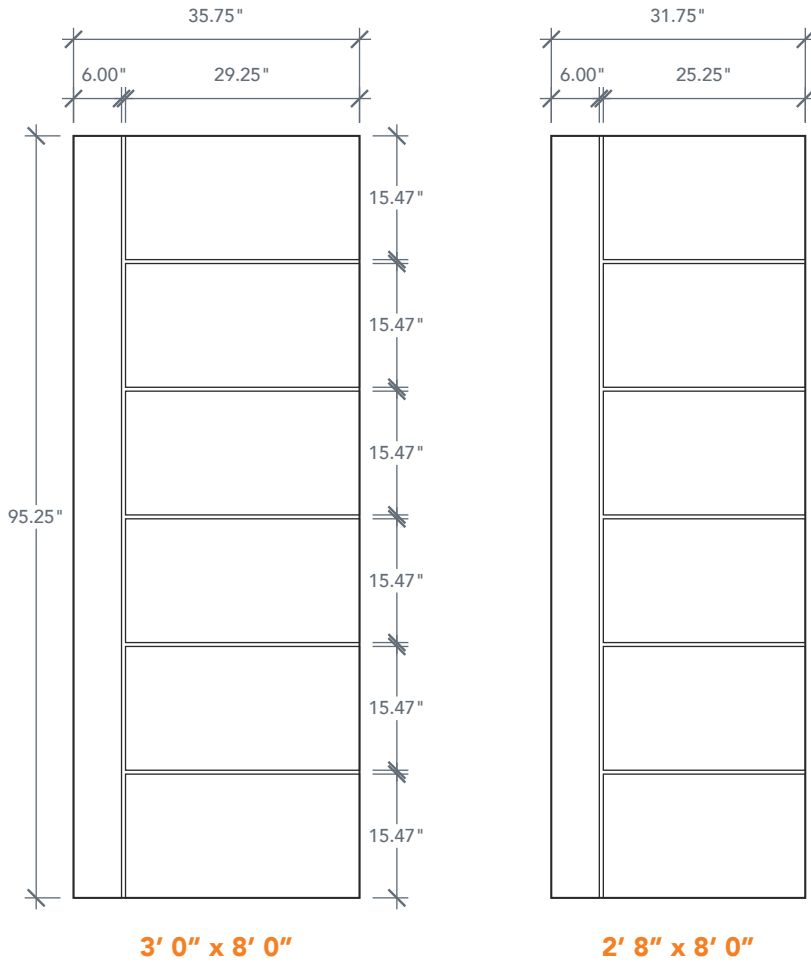


8'0" DMG5180 NAPOLI DOOR

OAK GRAIN

AVAILABLE SIZING

ARTWORK SCALE: 1/2"=1'

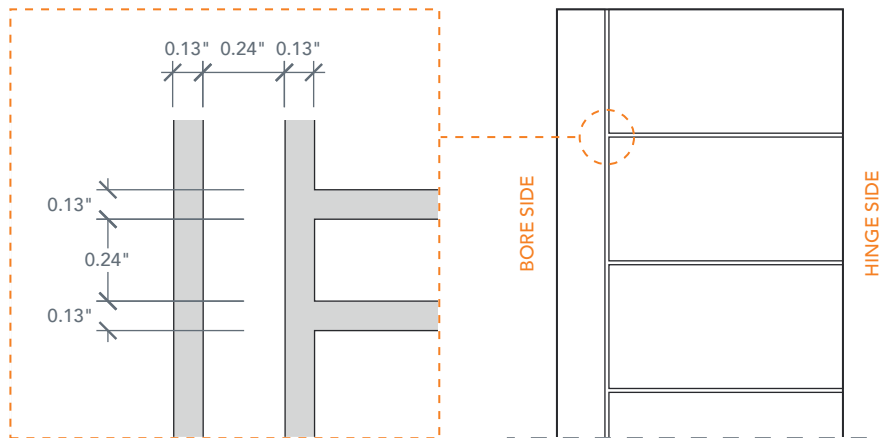


3' 0" x 8' 0"

2' 8" x 8' 0"

NOTE: BY REQUEST, DOOR HEIGHT COMES IN VARYING DIMENSIONS TO A MINIMUM OF 95". EXCESS WILL BE TAKEN FROM BOTTOM RAIL. ALL OTHER DIMENSIONS WILL REMAIN THE SAME.

CARVING DETAIL CLOSE UP



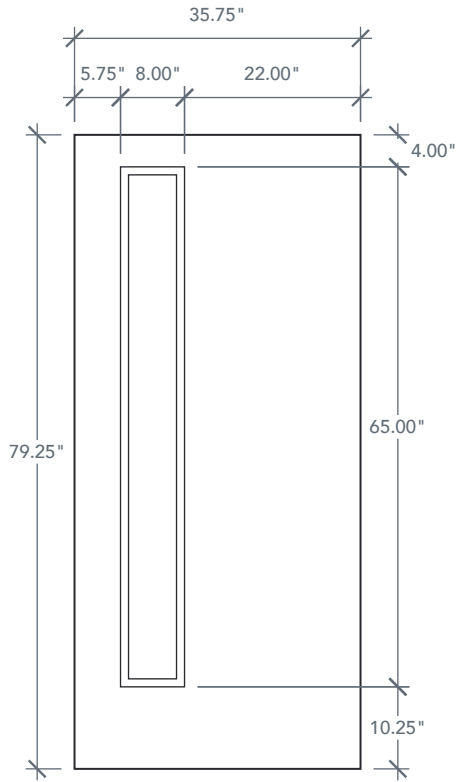
6'8" DMS1L BIENVENUE DOOR

SMOOTH SKIN

FLUSH GLAZED LEFT LITE

AVAILABLE SIZING

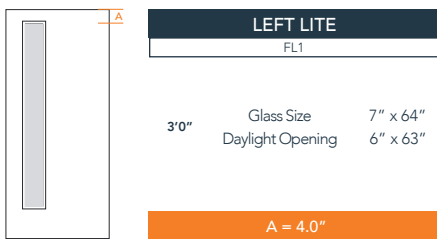
ARTWORK SCALE: 1/2"=1'



3' 0" x 6' 8"

NOTE: BY REQUEST, DOOR HEIGHT COMES IN VARYING DIMENSIONS TO A MINIMUM OF 79". EXCESS WILL BE TAKEN FROM BOTTOM RAIL. ALL OTHER DIMENSIONS WILL REMAIN THE SAME.

GLASS & DAYLIGHT OPENING



A = DISTANCE FROM TOP OF DOOR TO TOP OF OPENING

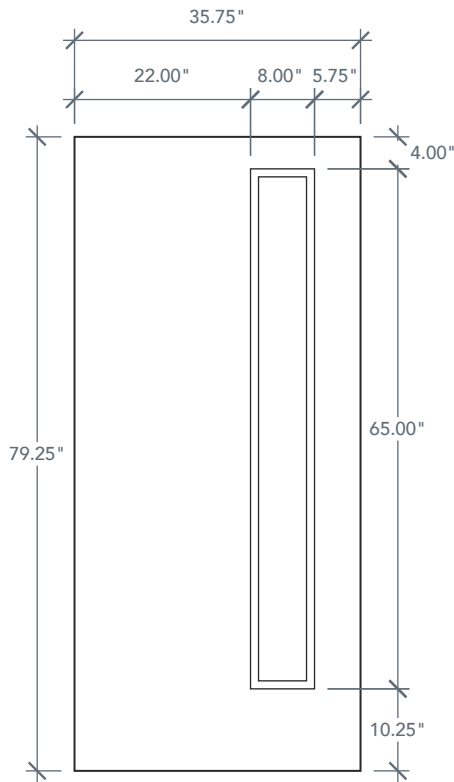
6'8" DMS1R BIENVENUE DOOR

SMOOTH SKIN

FLUSH GLAZED RIGHT LITE

AVAILABLE SIZING

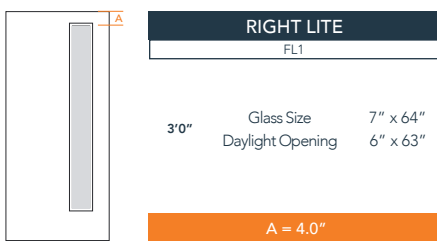
ARTWORK SCALE: 1/2"=1'



3' 0" x 6' 8"

NOTE: BY REQUEST, DOOR HEIGHT COMES IN VARYING DIMENSIONS TO A MINIMUM OF 79". EXCESS WILL BE TAKEN FROM BOTTOM RAIL. ALL OTHER DIMENSIONS WILL REMAIN THE SAME.

GLASS & DAYLIGHT OPENING



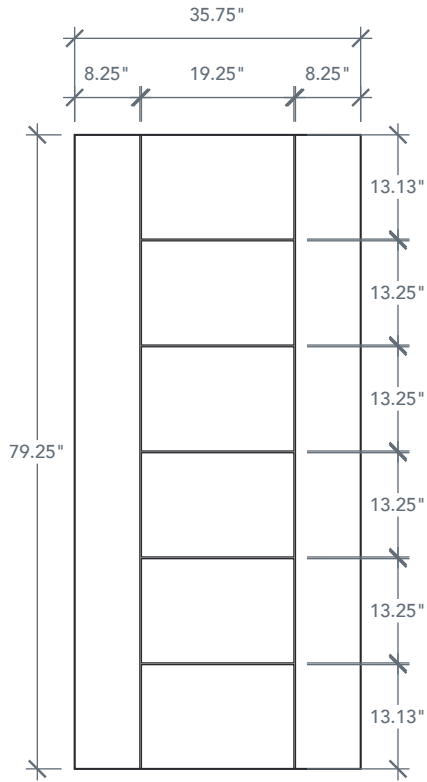
A = DISTANCE FROM TOP OF DOOR TO TOP OF OPENING

6'8" DMS5H INFINITY DOOR

SMOOTH SKIN

AVAILABLE SIZING

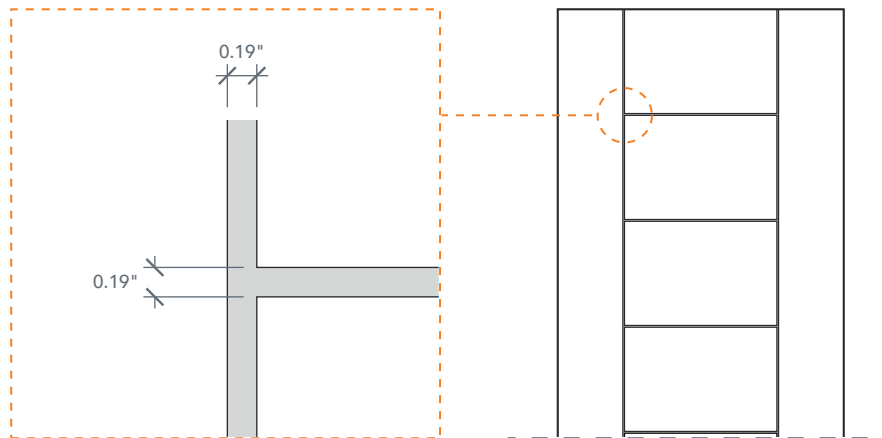
ARTWORK SCALE: 1/2"=1'



3' 0" x 6' 8"

NOTE: BY REQUEST, DOOR HEIGHT COMES IN VARYING DIMENSIONS TO A MINIMUM OF 79". EXCESS WILL BE TAKEN FROM BOTTOM RAIL. ALL OTHER DIMENSIONS WILL REMAIN THE SAME.

CARVING DETAIL CLOSE UP



CRAFTSMAN SERIES

If you're an old soul who wishes to keep up with the latest trends, The Craftsman Series is certainly your best bet. This series applies the most notable elements from 19th and 20th century architecture by blessing your home with a historical essence while still maintaining its modern appeal. Our traditional styles and flat panels successfully complement our selection of Ovolo profiles, Shaker profiles, and sleek direct glazed options. Don't miss out on the wonderfully crafted Fir and Smooth graining options available in this line as well. Still searching for more? Check out our limited edition Dentil Shelf and Simulated Divided Lights "SDL" Kits that serve as the perfect accessories to perfect an entryway that symbolizes you.

PG 18 - 47

6'8" DRS1K/DRF1K ONE PANEL DOOR

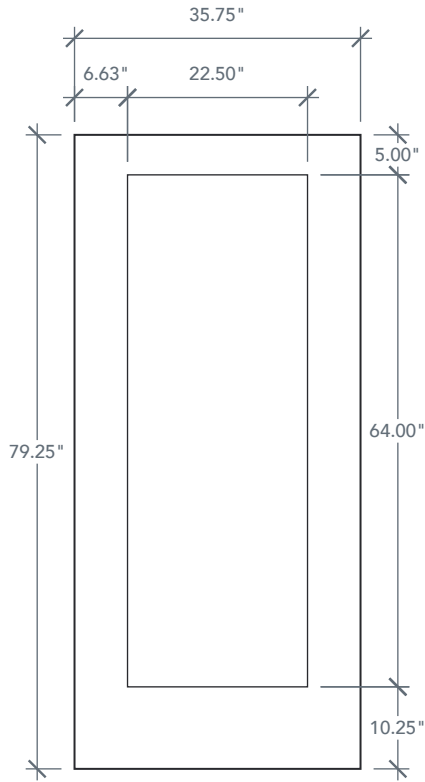
SMOOTH

FIR

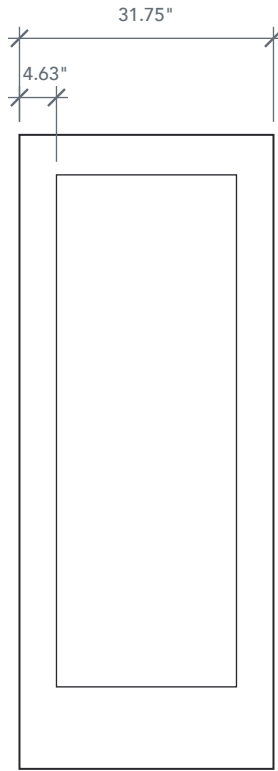
SHAKER PROFILE

AVAILABLE SIZING

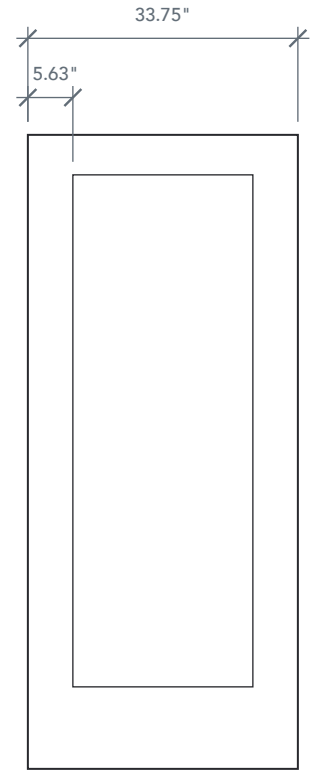
ARTWORK SCALE: 1/2"=1'



3' 0" x 6' 8"



2' 8" x 6' 8"



2' 10" x 6' 8"

NOTE: BY REQUEST, DOOR HEIGHT COMES IN VARYING DIMENSIONS TO A MINIMUM OF 79". EXCESS WILL BE TAKEN FROM BOTTOM RAIL. ALL OTHER DIMENSIONS WILL REMAIN THE SAME.

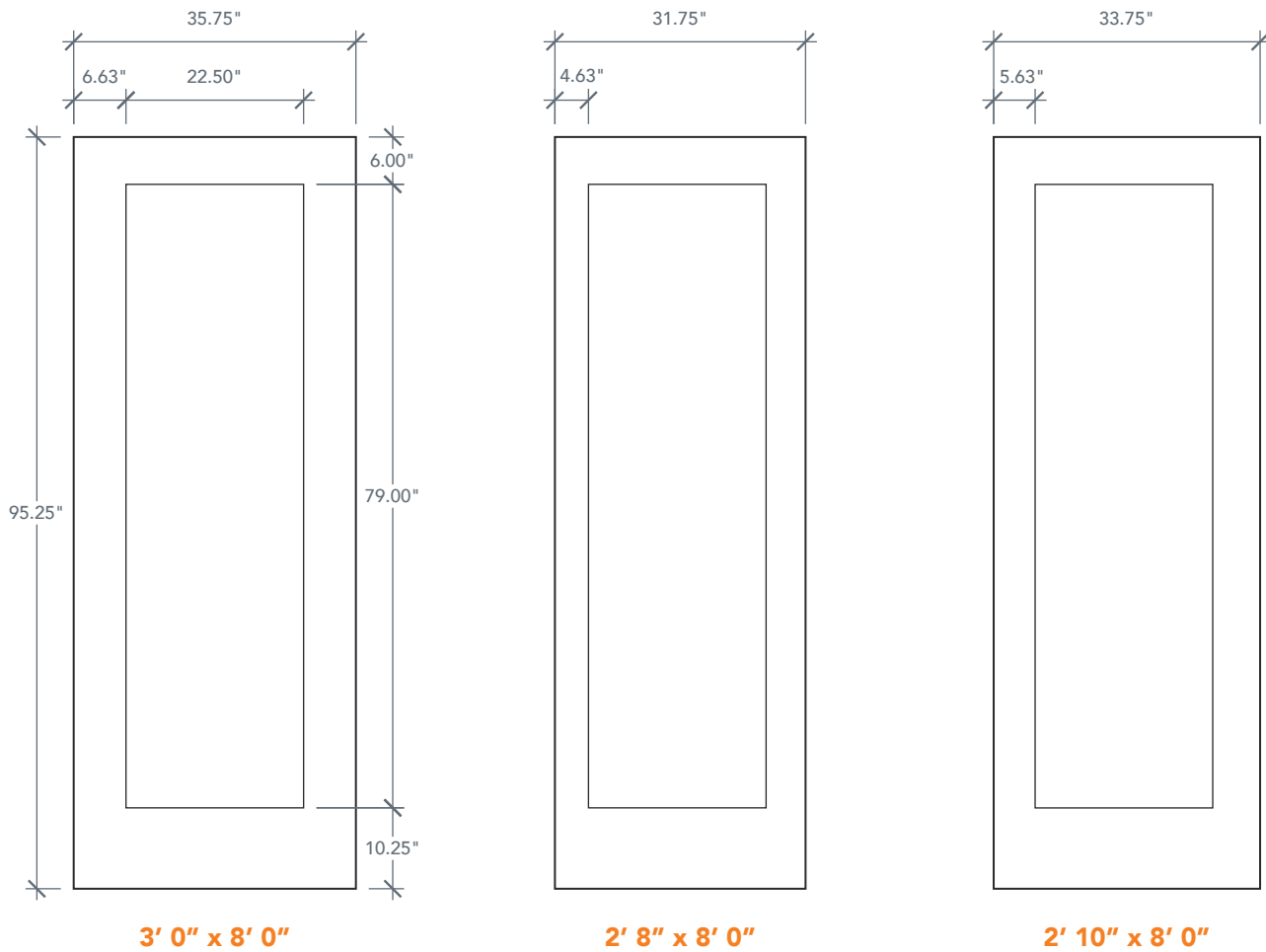
8'0" DRS1K80 ONE PANEL DOOR

SMOOTH

SHAKER PROFILE

AVAILABLE SIZING

ARTWORK SCALE: 1/2"=1'



NOTE: BY REQUEST, DOOR HEIGHT COMES IN VARYING DIMENSIONS TO A MINIMUM OF 95". EXCESS WILL BE TAKEN FROM BOTTOM RAIL. ALL OTHER DIMENSIONS WILL REMAIN THE SAME.

6'8" DRS2K/DRF2K TWO PANEL DOOR

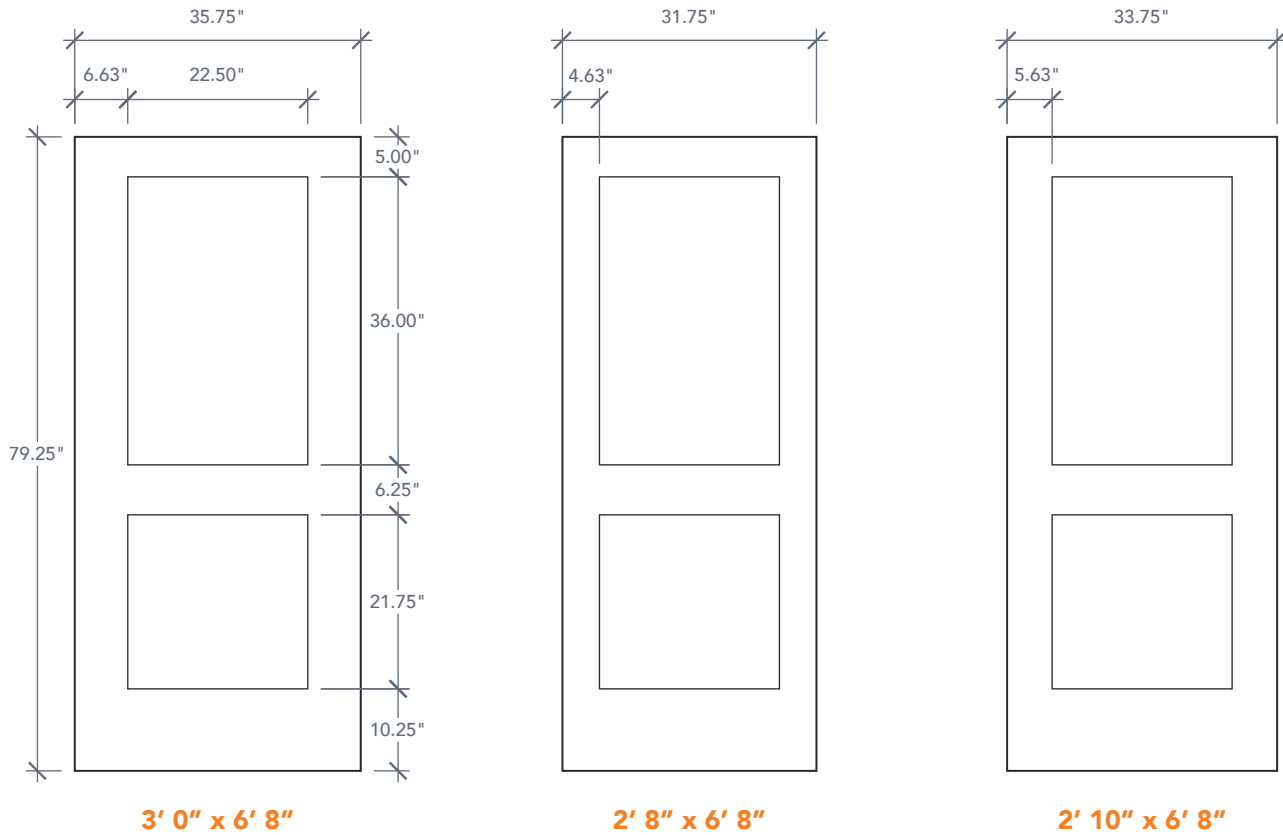
SMOOTH

FIR

SHAKER PROFILE

AVAILABLE SIZING

ARTWORK SCALE: 1/2"=1'



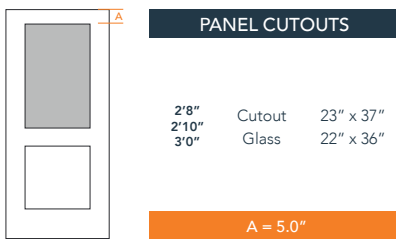
3' 0" x 6' 8"

2' 8" x 6' 8"

2' 10" x 6' 8"

NOTE: BY REQUEST, DOOR HEIGHT COMES IN VARYING DIMENSIONS TO A MINIMUM OF 79". EXCESS WILL BE TAKEN FROM BOTTOM RAIL. ALL OTHER DIMENSIONS WILL REMAIN THE SAME.

CUTOUTS & GLASS



A = DISTANCE FROM TOP OF DOOR TO TOP OF OPENING.

NOTE: PLASTPRO DOES NOT PROVIDE PRE-CUT CONFIGURATION SERVICE FOR THIS DOOR. ADD-IN LITE FRAME AVAILABLE IN SOLUTION DOORLITE SERIES.

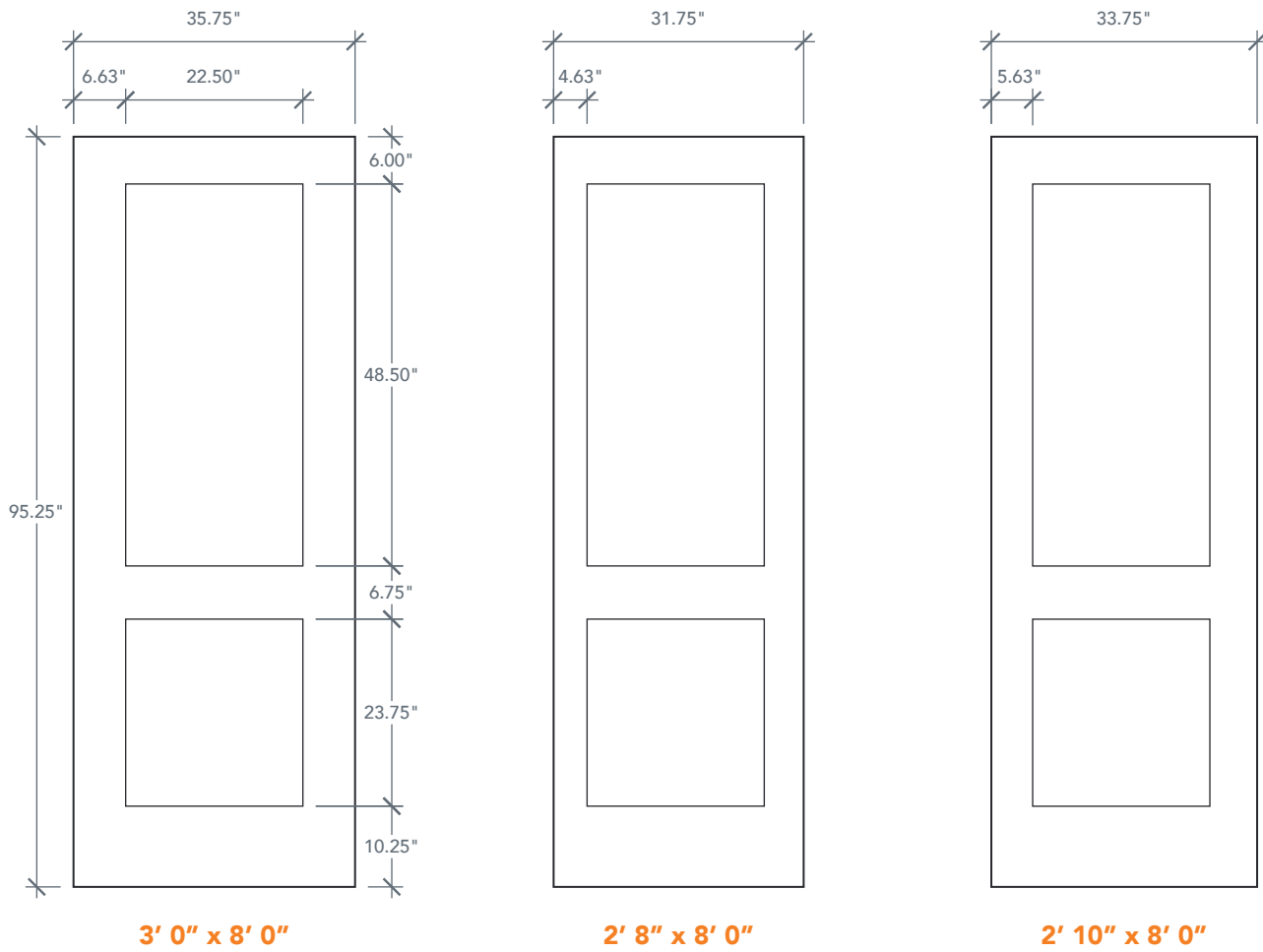
8'0" DRS2K80 TWO PANEL DOOR

SMOOTH

SHAKER PROFILE

AVAILABLE SIZING

ARTWORK SCALE: 1/2"=1'



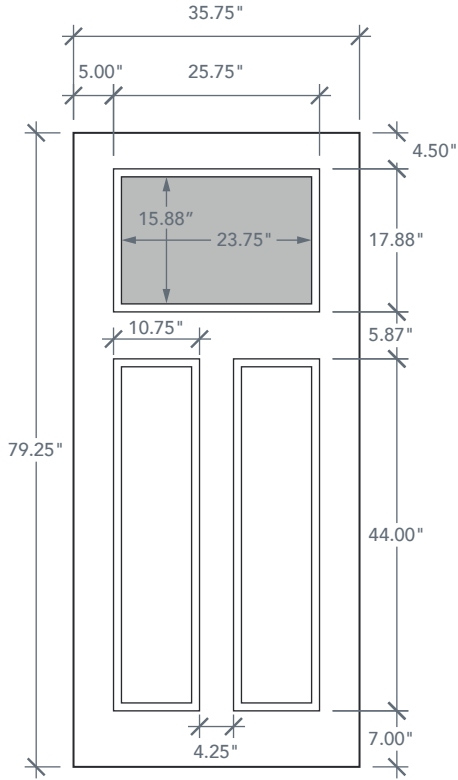
NOTE: BY REQUEST, DOOR HEIGHT COMES IN VARYING DIMENSIONS TO A MINIMUM OF 95". EXCESS WILL BE TAKEN FROM BOTTOM RAIL. ALL OTHER DIMENSIONS WILL REMAIN THE SAME.

6'8" DRS3C/DRF3C DIRECT GLAZED CRAFTSMAN

SMOOTH FIR OVOLO PROFILE

AVAILABLE SIZING

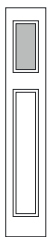
ARTWORK SCALE: 1/2"=1'



3' 0" x 6' 8"

NOTE: BY REQUEST, DOOR HEIGHT COMES IN VARYING DIMENSIONS TO A MINIMUM OF 79". EXCESS WILL BE TAKEN FROM BOTTOM RAIL. ALL OTHER DIMENSIONS WILL REMAIN THE SAME.

MATCHING SIDELITES



SLS3C/SLF3C

Available Widths:

1' 0"

1' 2"

Spec Page = 33

8'0" DRS3C80/DRF3C80 DIRECT GLAZED CRAFTSMAN

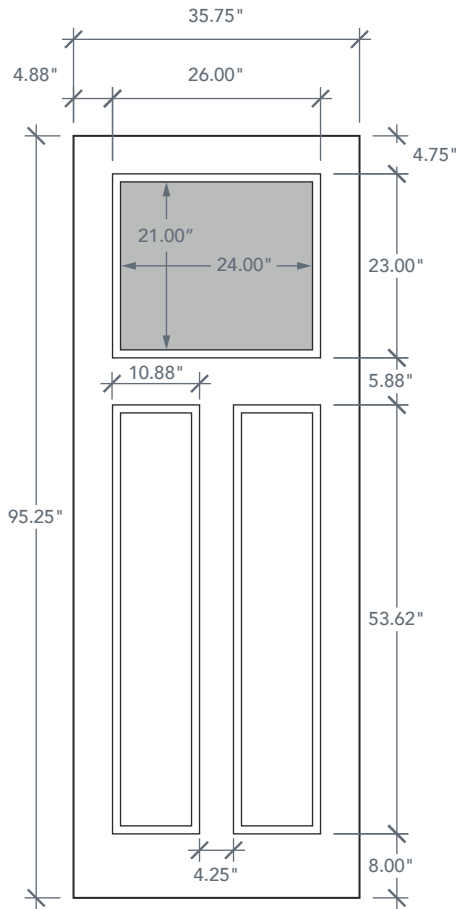
SMOOTH

FIR

OVOLO PROFILE

AVAILABLE SIZING

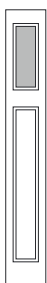
ARTWORK SCALE: 1/2"=1'



3' 0" x 8' 0"

NOTE: BY REQUEST, DOOR HEIGHT COMES IN VARYING DIMENSIONS TO A MINIMUM OF 95". EXCESS WILL BE TAKEN FROM BOTTOM RAIL. ALL OTHER DIMENSIONS WILL REMAIN THE SAME.

MATCHING SIDELITE



SLS3C80/SLF3C80

Available Widths:

1' 0"

1' 2"

Spec Page = 34

6'8" DRS3F/DRF3F THREE PANEL CRAFTSMAN

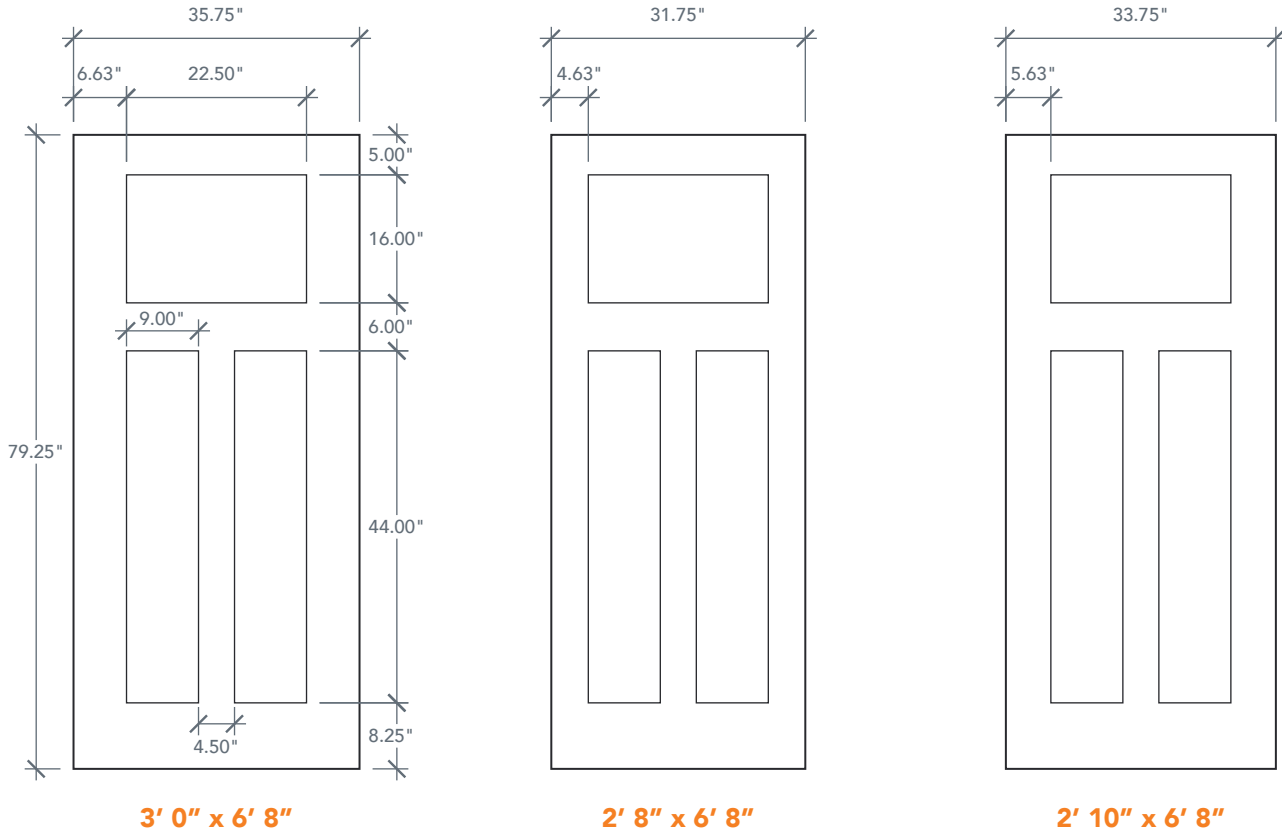
SMOOTH

FIR

SHAKER PROFILE

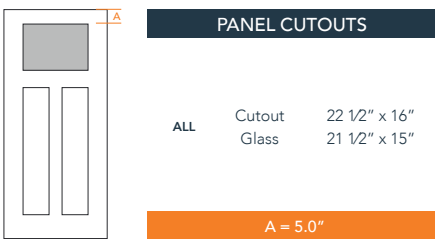
AVAILABLE SIZING

ARTWORK SCALE: 1/2"=1'



NOTE: BY REQUEST, DOOR HEIGHT COMES IN VARYING DIMENSIONS TO A MINIMUM OF 79". EXCESS WILL BE TAKEN FROM BOTTOM RAIL. ALL OTHER DIMENSIONS WILL REMAIN THE SAME.

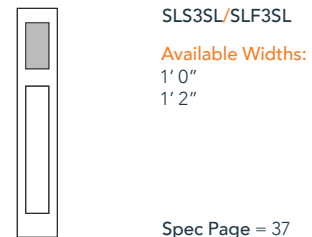
CUTOUTS & GLASS



A = DISTANCE FROM TOP OF DOOR TO TOP OF OPENING.

NOTE: PLASTPRO DOES NOT PROVIDE PRE-CUT CONFIGURATION SERVICE FOR THIS DOOR. ADD-IN LITE FRAME AVAILABLE IN SOLUTION DOORLITE SERIES.

MATCHING SIDELITES



8'0" DRS3F80/DRF3F80 THREE PANEL CRAFTSMAN

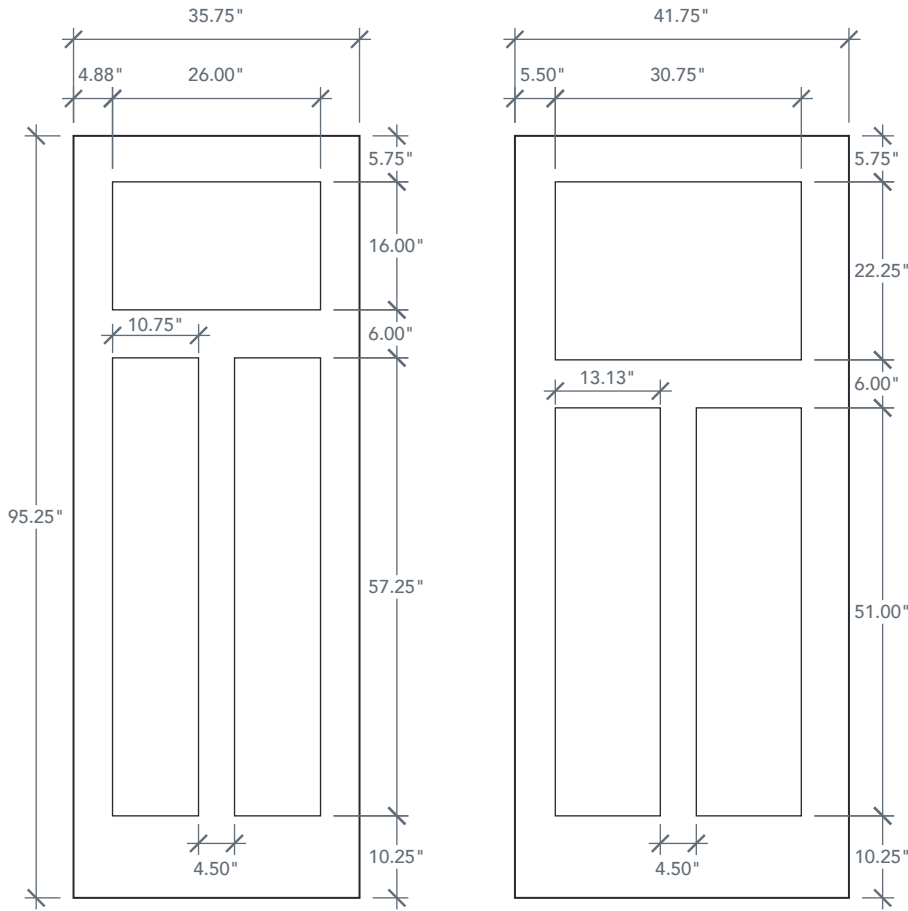
SMOOTH

FIR

SHAKER PROFILE

AVAILABLE SIZING

ARTWORK SCALE: 1/2"=1'

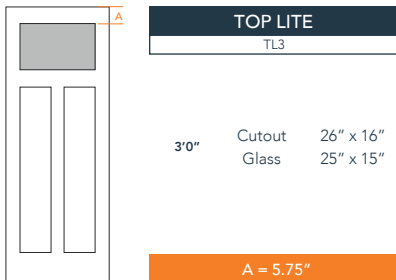


3' 0" x 8' 0"

3' 6" x 8' 0"

NOTE: BY REQUEST, DOOR HEIGHT COMES IN VARYING DIMENSIONS TO A MINIMUM OF 95". EXCESS WILL BE TAKEN FROM BOTTOM RAIL. ALL OTHER DIMENSIONS WILL REMAIN THE SAME.

CUTOUTS & GLASS



A = DISTANCE FROM TOP OF DOOR TO TOP OF OPENING. NOTE: PLASTPRO DOES NOT PROVIDE PRE-CUT CONFIGURATION SERVICE FOR THIS DOOR.

MATCHING SIDELITES



SLS3S80/SLF3S80

Available Widths:

- 1' 0"
- 1' 2"

Spec Page = 38



SLS3S80L/SLF3S80L

Available Widths:

- 1' 0"
- 1' 2"

Spec Page = 39

6'8" DRS3SL/DRF3SL DIRECT GLAZED CRAFTSMAN

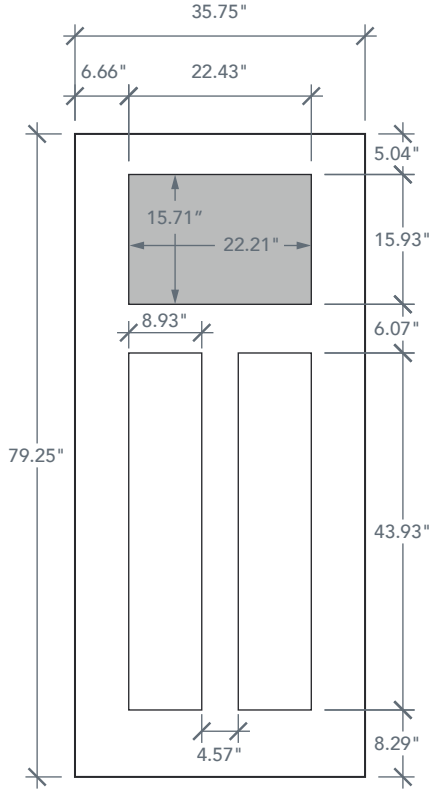
SMOOTH

FIR

SHAKER PROFILE

AVAILABLE SIZING

ARTWORK SCALE: 1/2"=1'



3' 0" x 6' 8"

NOTE: BY REQUEST, DOOR HEIGHT COMES IN VARYING DIMENSIONS TO A MINIMUM OF 79". EXCESS WILL BE TAKEN FROM BOTTOM RAIL. ALL OTHER DIMENSIONS WILL REMAIN THE SAME.

CUTOUTS & GLASS



SLS3SL/SLF3SL

Available Widths:

1' 0"

1' 2"

Spec Page = 37



SLS3FL/SLF3FL

Available Widths:

1' 0"

1' 2"

Spec Page = 35

8'0" DRS3S80L/DRF3S80L DIRECT GLAZED CRAFTSMAN

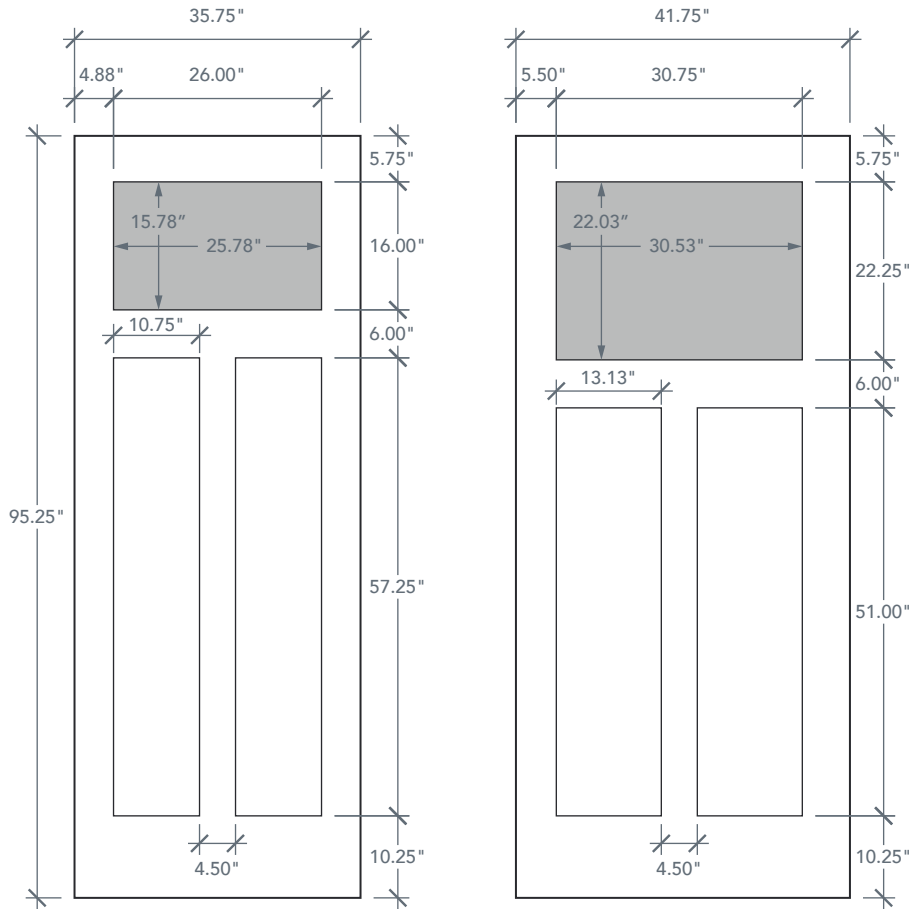
SMOOTH

FIR

SHAKER PROFILE

AVAILABLE SIZING

ARTWORK SCALE: 1/2"=1'



NOTE: BY REQUEST, DOOR HEIGHT COMES IN VARYING DIMENSIONS TO A MINIMUM OF 95". EXCESS WILL BE TAKEN FROM BOTTOM RAIL. ALL OTHER DIMENSIONS WILL REMAIN THE SAME.

MATCHING SIDELITE



SLS3S80L/SLF3S80L

Available Widths:

1' 0"

1' 2"

Spec Page = 39

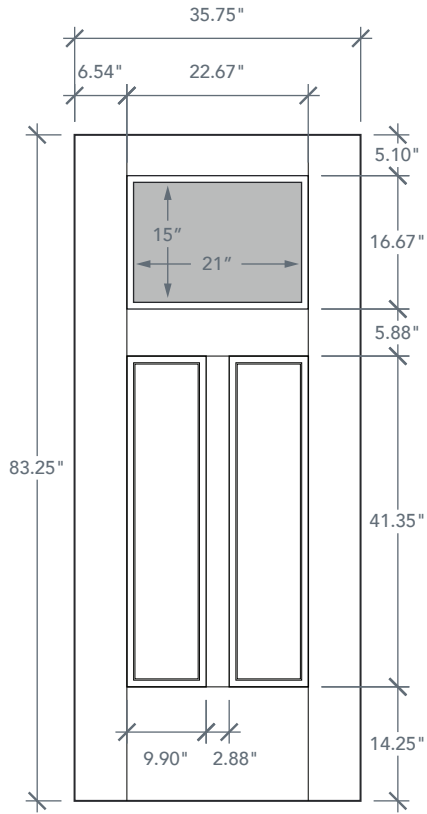
7'0" DRS3B70L DIRECT GLAZED CRAFTSMAN

BRUSHED SMOOTH

NOVA 90 PANEL DETAIL

AVAILABLE SIZING

ARTWORK SCALE: 1/2"=1'



3' 0" x 7' 0"

NOTE: BY REQUEST, DOOR HEIGHT COMES IN VARYING DIMENSIONS TO A MINIMUM OF 83". EXCESS WILL BE TAKEN FROM BOTTOM RAIL. ALL OTHER DIMENSIONS WILL REMAIN THE SAME.

6'8" DRS3J/DRF3J THREE PANEL DOOR

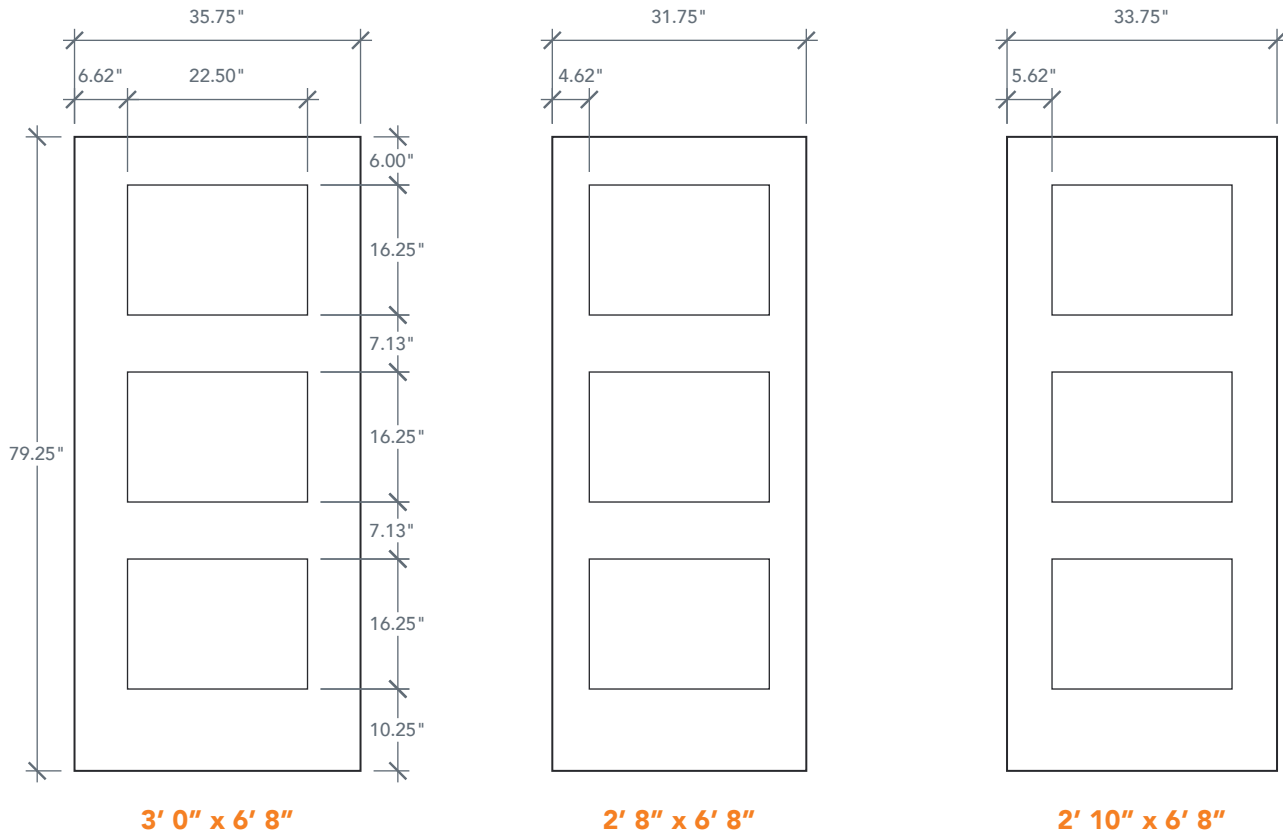
SMOOTH

FIR

SHAKER PROFILE

AVAILABLE SIZING

ARTWORK SCALE: 1/2"=1'



NOTE: BY REQUEST, DOOR HEIGHT COMES IN VARYING DIMENSIONS TO A MINIMUM OF 79". EXCESS WILL BE TAKEN FROM BOTTOM RAIL. ALL OTHER DIMENSIONS WILL REMAIN THE SAME.

MATCHING SIDELITES



SLF0J

Available Widths:

1' 0"

1' 2"

Spec Page = 40

6'8" DRS3JL/DRF3JL DIRECT GLAZED THREE PANEL DOOR

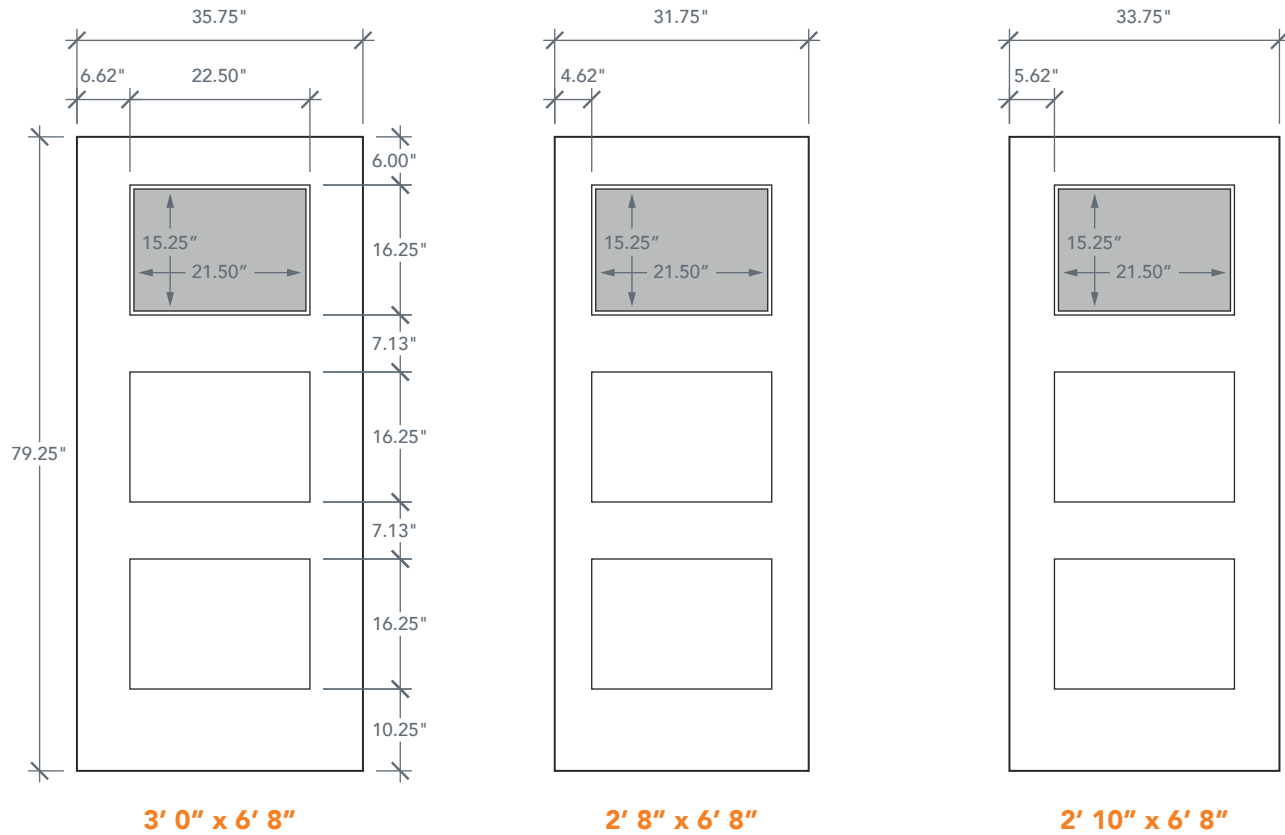
SMOOTH

FIR

SHAKER PROFILE

AVAILABLE SIZING

ARTWORK SCALE: 1/2"=1'



3' 0" x 6' 8"

2' 8" x 6' 8"

2' 10" x 6' 8"

NOTE: BY REQUEST, DOOR HEIGHT COMES IN VARYING DIMENSIONS TO A MINIMUM OF 79". EXCESS WILL BE TAKEN FROM BOTTOM RAIL. ALL OTHER DIMENSIONS WILL REMAIN THE SAME.

MATCHING SIDELITES



SLF0J

Available Widths:

1' 0"

1' 2"

Spec Page = 40

6'8" DRS50/DRF50 FIVE PANEL DOOR

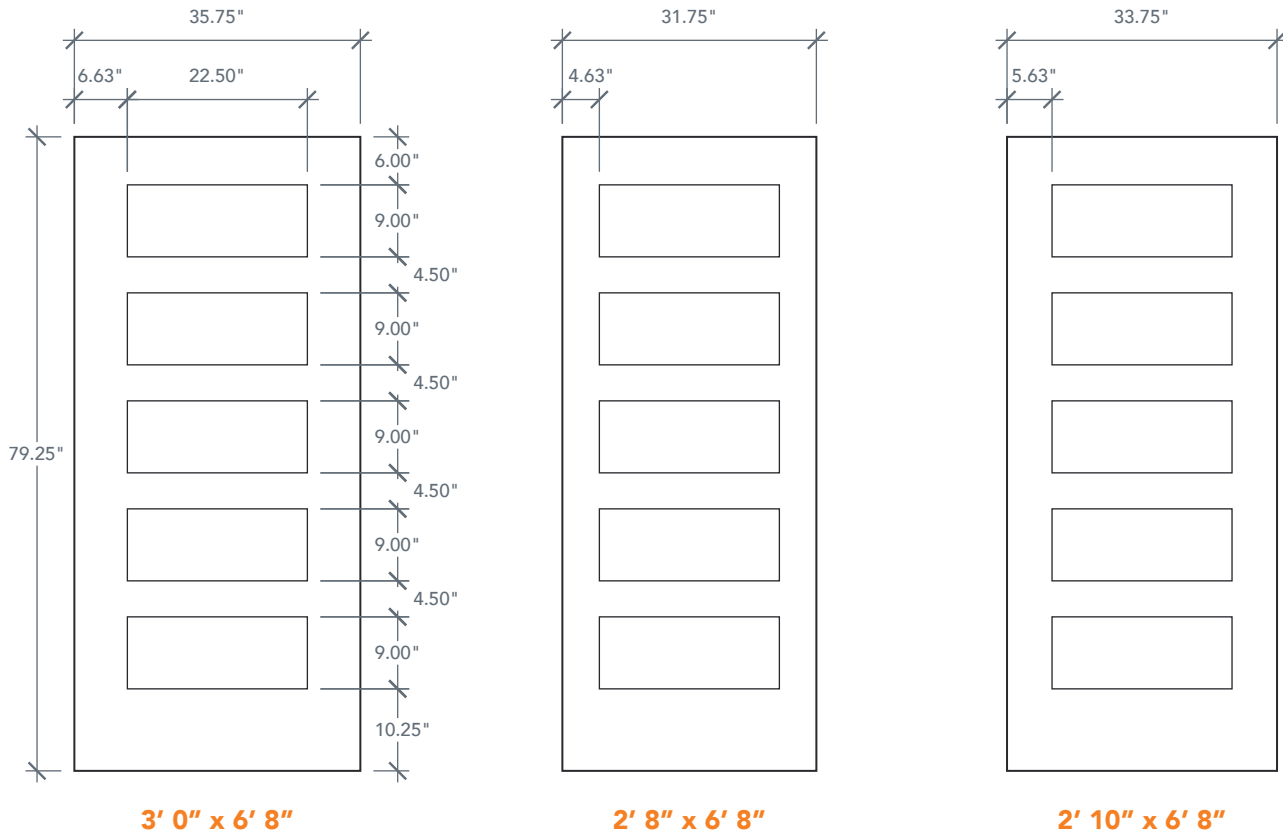
SMOOTH

FIR

SHAKER PROFILE

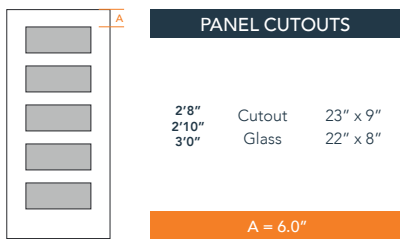
AVAILABLE SIZING

ARTWORK SCALE: 1/2"=1'



NOTE: BY REQUEST, DOOR HEIGHT COMES IN VARYING DIMENSIONS TO A MINIMUM OF 79". EXCESS WILL BE TAKEN FROM BOTTOM RAIL. ALL OTHER DIMENSIONS WILL REMAIN THE SAME.

CUTOUTS & GLASS



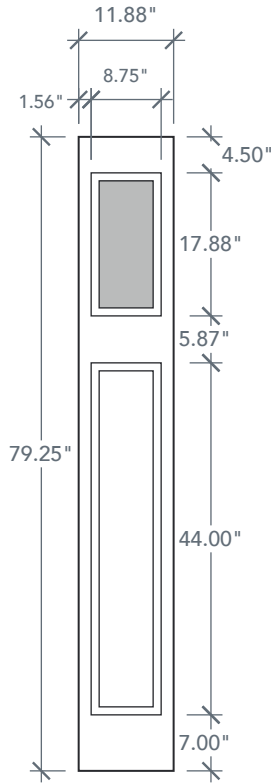
A = DISTANCE FROM TOP OF DOOR TO TOP OF OPENING.
 NOTE: PLASTPRO DOES NOT PROVIDE PRE-CUT CONFIGURATION SERVICE FOR THIS DOOR. ADD-IN LITE FRAME AVAILABLE IN SOLUTION DOORLITE SERIES.

6'8" SLS3C/SLF3C DIRECT GLAZED TOP LITE SIDELITE

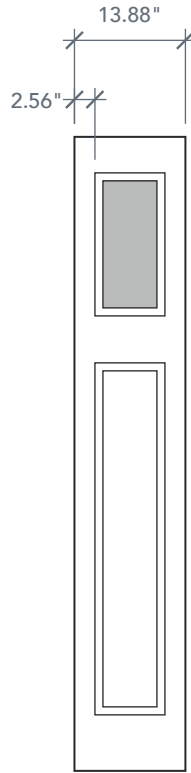
SMOOTH FIR OVOLO PROFILE

AVAILABLE SIZING

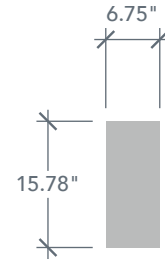
ARTWORK SCALE: 1/2"=1'



1' 0" x 6' 8"



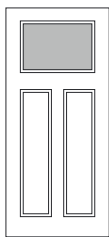
1' 2" x 6' 8"



Daylight Opening

NOTE: BY REQUEST, SIDELITE HEIGHT COMES IN VARYING DIMENSIONS TO A MINIMUM OF 79". EXCESS WILL BE TAKEN FROM BOTTOM RAIL. ALL OTHER DIMENSIONS WILL REMAIN THE SAME.

MATCHING DOOR



DRS3C/DRF3C

Available Widths:
3' 0"

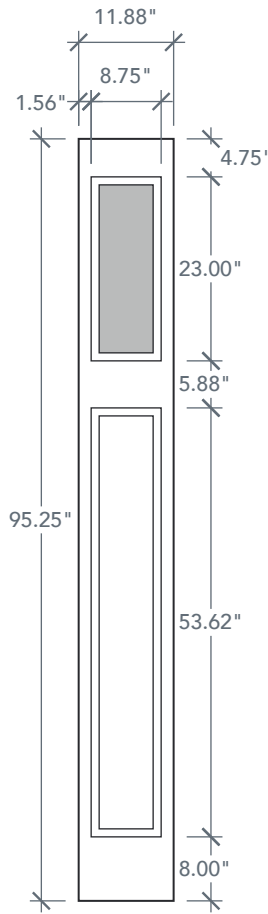
Spec Page = 23

8'0" SLS3C80/SLF3C80 DIRECT GLAZED TOP LITE SIDELITE

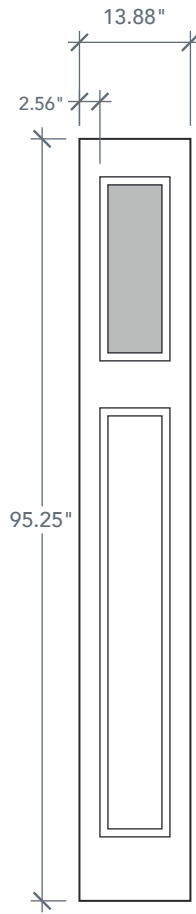
SMOOTH FIR OVOLO PROFILE

AVAILABLE SIZING

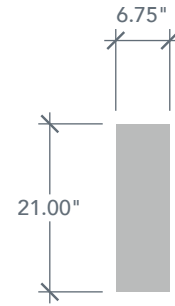
ARTWORK SCALE: 1/2"=1'



1' 0" x 8' 0"



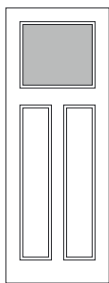
1' 2" x 8' 0"



Daylight Opening

NOTE: BY REQUEST, SIDELITE HEIGHT COMES IN VARYING DIMENSIONS TO A MINIMUM OF 95". EXCESS WILL BE TAKEN FROM BOTTOM RAIL. ALL OTHER DIMENSIONS WILL REMAIN THE SAME.

MATCHING DOOR



DRS3C80/DRF3C80

Available Widths:
3' 0"

Spec Page = 24

6'8" SLS3FL/SLF3FL DIRECT GLAZED FULL LITE SIDELITE

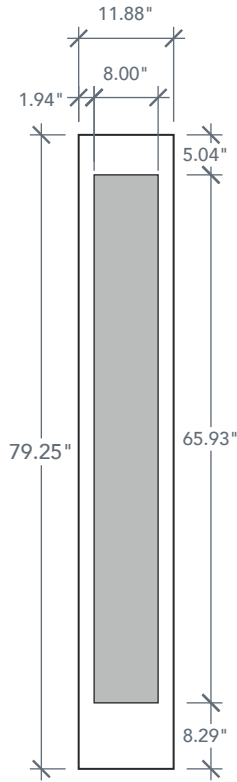
SMOOTH

FIR

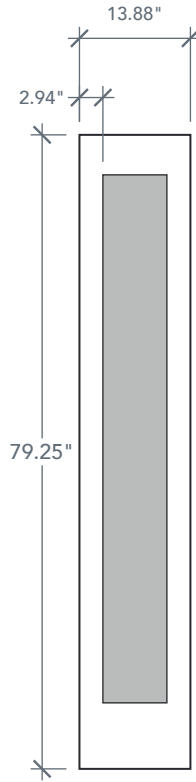
SHAKER PROFILE

AVAILABLE SIZING

ARTWORK SCALE: 1/2"=1'



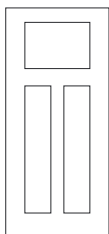
1' 0" x 6' 8"



1' 2" x 6' 8"

NOTE: BY REQUEST, SIDELITE HEIGHT COMES IN VARYING DIMENSIONS TO A MINIMUM OF 79". EXCESS WILL BE TAKEN FROM BOTTOM RAIL. ALL OTHER DIMENSIONS WILL REMAIN THE SAME.

MATCHING DOORS

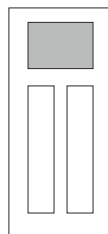


DRS3F/DRF3F

Available Widths:

- 2' 8"
- 2' 10"
- 3' 0"

Spec Page = 25



DRS3SL/DRF3SL

Available Widths:

- 2' 8"
- 2' 10"
- 3' 0"

Spec Page = 27

6'8" SLS3S/SLF3S THREE PANEL SIDELITE

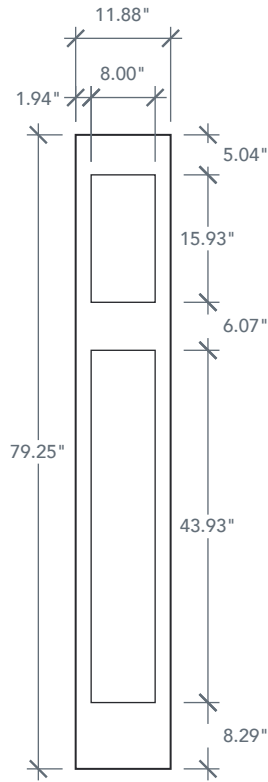
SMOOTH

FIR

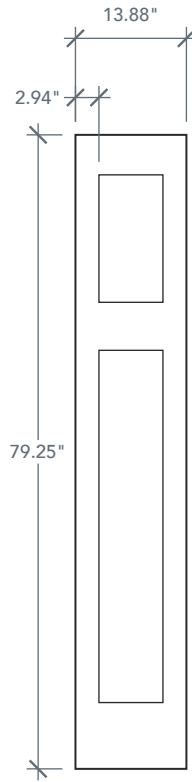
SHAKER PROFILE

AVAILABLE SIZING

ARTWORK SCALE: 1/2"=1'



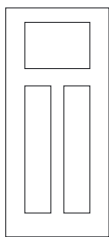
1' 0" x 6' 8"



1' 2" x 6' 8"

NOTE: BY REQUEST, SIDELITE HEIGHT COMES IN VARYING DIMENSIONS TO A MINIMUM OF 79". EXCESS WILL BE TAKEN FROM BOTTOM RAIL. ALL OTHER DIMENSIONS WILL REMAIN THE SAME.

MATCHING DOORS

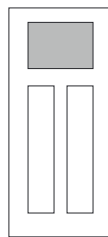


DRS3F/DRF3F

Available Widths:

- 2' 8"
- 2' 10"
- 3' 0"

Spec Page = 25



DRS3SL/DRF3SL

Available Widths:

- 2' 8"
- 2' 10"
- 3' 0"

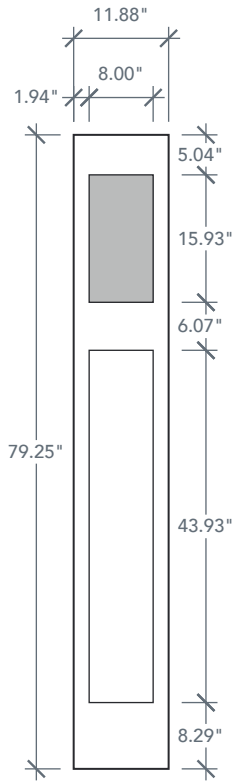
Spec Page = 27

6'8" SLS3SL/SLF3SL DIRECT GLAZED TOP LITE SIDELITE

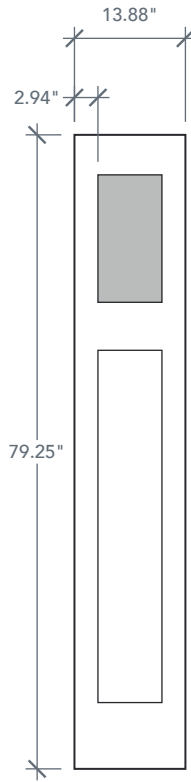
SMOOTH FIR SHAKER PROFILE

AVAILABLE SIZING

ARTWORK SCALE: 1/2"=1'



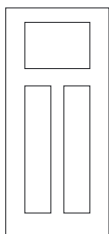
1' 0" x 6' 8"



1' 2" x 6' 8"

NOTE: BY REQUEST, SIDELITE HEIGHT COMES IN VARYING DIMENSIONS TO A MINIMUM OF 79". EXCESS WILL BE TAKEN FROM BOTTOM RAIL. ALL OTHER DIMENSIONS WILL REMAIN THE SAME.

MATCHING DOORS

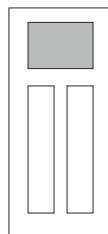


DRS3F/DRF3F

Available Widths:

- 2' 8"
- 2' 10"
- 3' 0"

Spec Page = 25



DRS3SL/DRF3SL

Available Widths:

- 2' 8"
- 2' 10"
- 3' 0"

Spec Page = 27

8'0" SLS3S80/SLF3S80 THREE PANEL SIDELITE

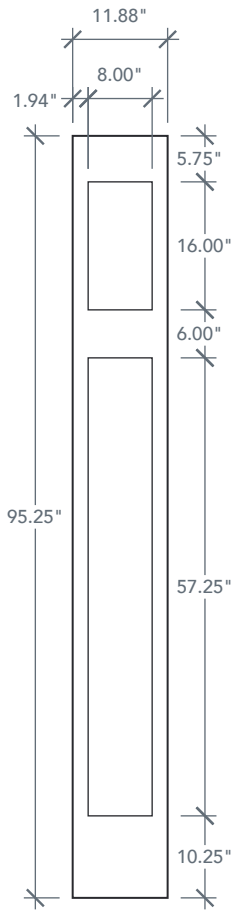
SMOOTH

FIR

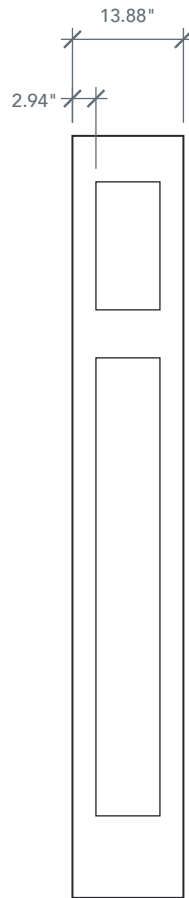
SHAKER PROFILE

AVAILABLE SIZING

ARTWORK SCALE: 1/2"=1'



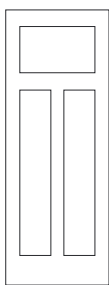
1' 0" x 8' 0"



1' 2" x 8' 0"

NOTE: BY REQUEST, SIDELITE HEIGHT COMES IN VARYING DIMENSIONS TO A MINIMUM OF 95". EXCESS WILL BE TAKEN FROM BOTTOM RAIL. ALL OTHER DIMENSIONS WILL REMAIN THE SAME.

MATCHING DOORS



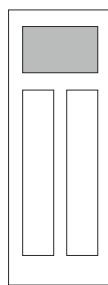
DRS3F80/DRF3F80

Available Widths:

3' 0"

NOTE: DOES NOT MATCH WITH 3' 6" x 8' 0"

Spec Page = 26



DRS3S80L/DRF3S80L

Available Widths:

2' 8"

2' 10"

3' 0"

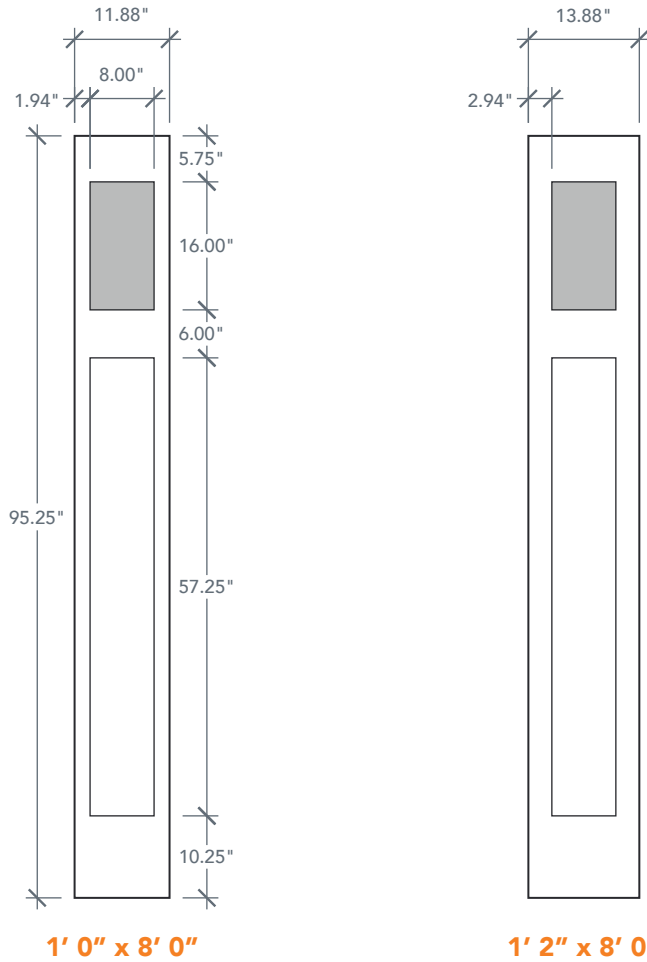
Spec Page = 28

8'0" SLS3S80L/SLF3S80L DIRECT GLAZED TOP LITE SIDELITE

SMOOTH FIR SHAKER PROFILE

AVAILABLE SIZING

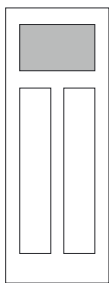
ARTWORK SCALE: 1/2"=1'



1' 0" x 8' 0"

1' 2" x 8' 0"

NOTE: BY REQUEST, SIDELITE HEIGHT COMES IN VARYING DIMENSIONS TO A MINIMUM OF 95". EXCESS WILL BE TAKEN FROM BOTTOM RAIL. ALL OTHER DIMENSIONS WILL REMAIN THE SAME.



DRS3S80L/DRF3S80L

Available Widths:

- 2' 8"
- 2' 10"
- 3' 0"

Spec Page = 28

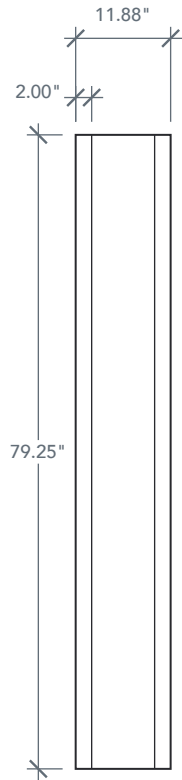
6'8" SLF0J FLUSH STILE-RAIL SIDELITE

FIR

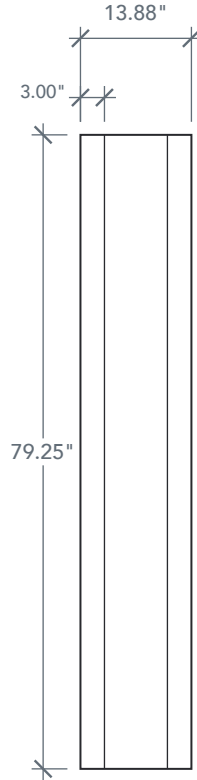
SHAKER PROFILE

AVAILABLE SIZING

ARTWORK SCALE: 1/2"=1'



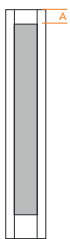
1' 0" x 6' 8"



1' 2" x 6' 8"

NOTE: BY REQUEST, SIDELITE HEIGHT COMES IN VARYING DIMENSIONS TO A MINIMUM OF 79". EXCESS WILL BE TAKEN FROM BOTTOM RAIL. ALL OTHER DIMENSIONS WILL REMAIN THE SAME.

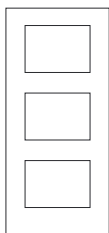
CUTOUTS & GLASS



PANEL CUTOUTS		
ALL	Cutout	8" x 65"
	Glass	7" x 64"
A = 5.0"		

A = DISTANCE FROM TOP OF DOOR TO TOP OF OPENING.
 NOTE: PLASTPRO DOES NOT PROVIDE PRE-CUT CONFIGURATION SERVICE FOR THIS DOOR. ADD-IN LITE FRAME AVAILABLE IN SOLUTION DOORLITE SERIES.

MATCHING DOOR



DRF3J
Available Widths:
 2' 8"
 2' 10"
 3' 0"

Spec Page = 30

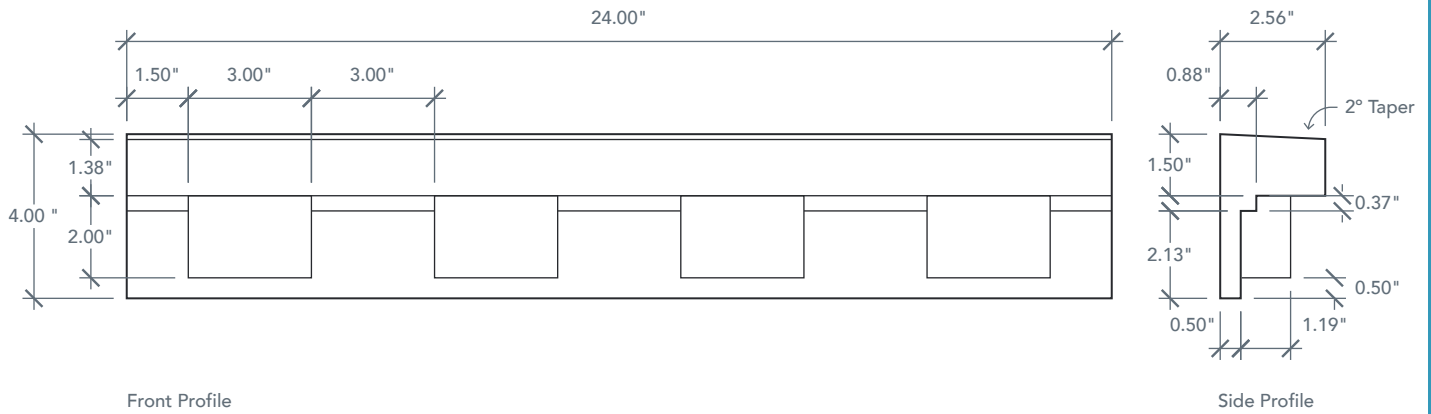
DENTIL SHELVES

SMOOTH & FIR

ACCESSORY DIMENSIONS

ARTWORK NOT TO SCALE

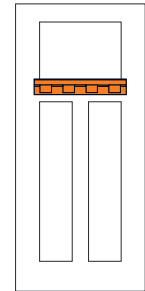
ACDSSW2404/ACDSFT2404 4 BLOCK DENTIL SHELF SMOOTH & FIR



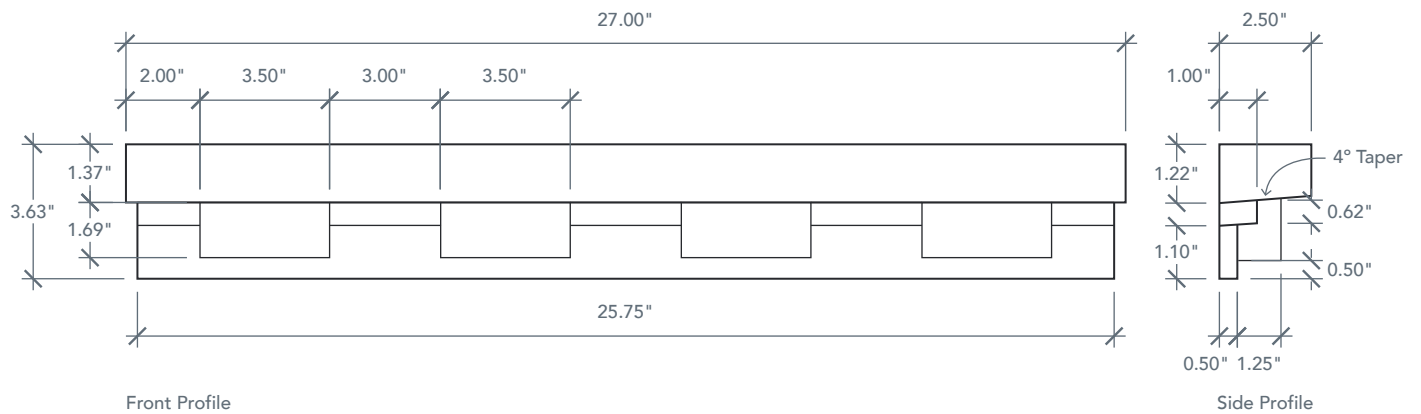
ACCESSORY INFO

Parts Per Set: 1
4 Block Dentil Shelf

Matching Doors:
DRS3F/DRF3F | Spec Page 25
DRS3SL/DRF3SL | Spec Page 27



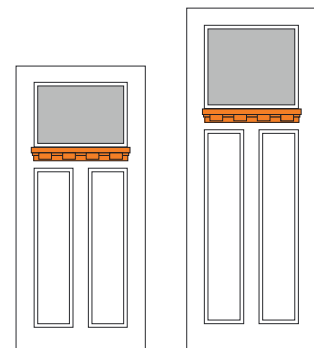
ACDSFT2704 4 BLOCK DENTIL SHELF FIR



ACCESSORY INFO

Parts Per Set: 1
4 Block Dentil Shelf

Matching Doors:
DRF3C | Spec Page 23
DRF3C80 | Spec Page 24
DRF3F80 | Spec Page 26
DRF3S80L | Spec Page 28



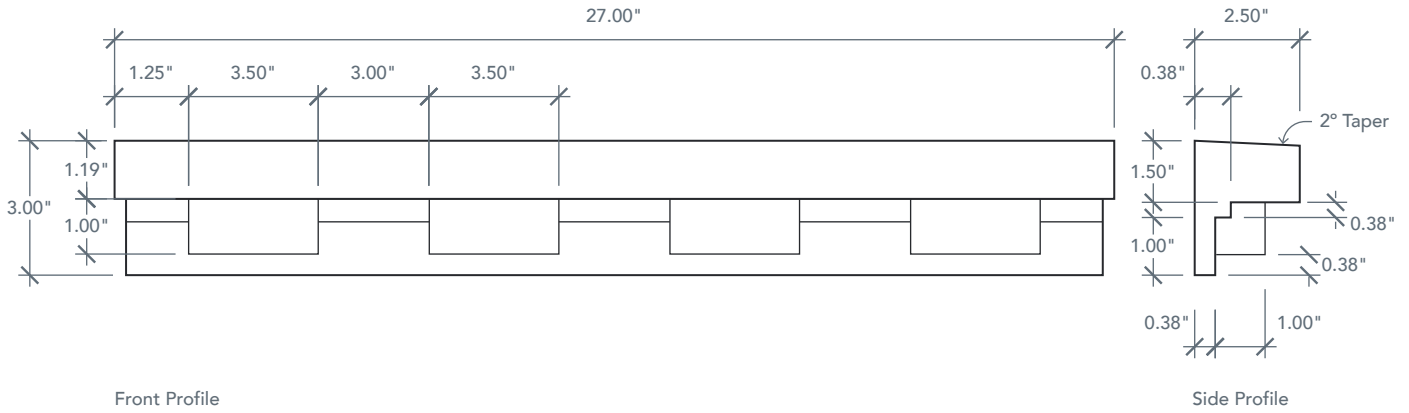
DENTIL SHELVES

SMOOTH

AVAILABLE SIZING

ARTWORK NOT TO SCALE

ACDSSW2704 4 BLOCK DENTIL SHELF SMOOTH



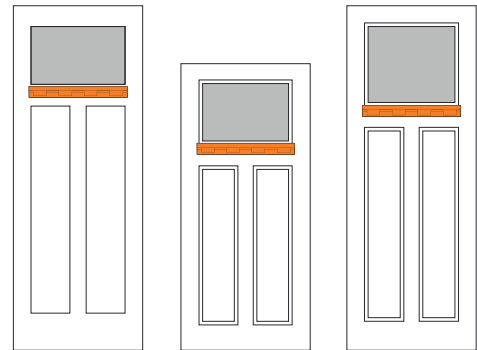
ACCESSORY INFO

Parts Per Set: 1
4 Block Dentil Shelf

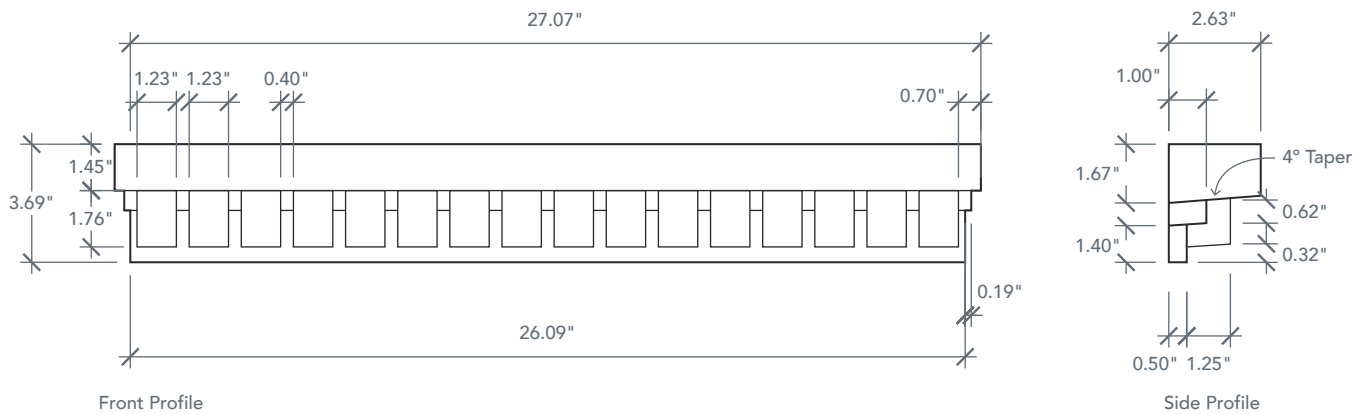
Matching Doors:

DRS3F/DRF3F | Spec Page 25

DRS3S/DRF3S | Spec Page 27



ACDSSW2716 16 BLOCK DENTIL SHELF SMOOTH



ACCESSORY INFO

Parts Per Set: 1
16 Block Dentil Shelf

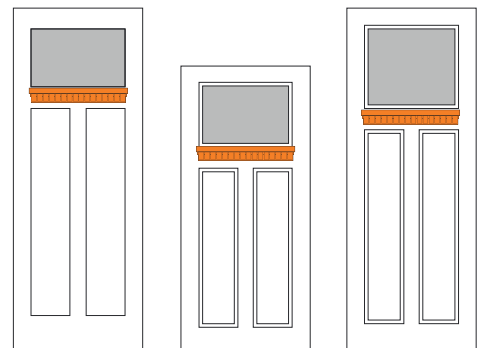
Matching Doors:

DRS3C | Spec Page 23

DRS3C80 | Spec Page 24

DRS3F80 | Spec Page 26

DRS3S80L | Spec Page 28

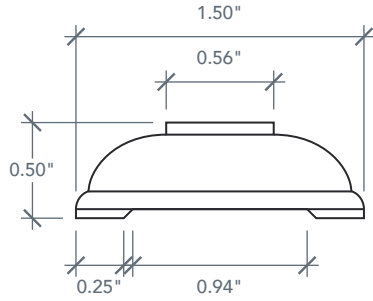


SDL BARS SIMULATED DIVIDED LITES

SMOOTH & FIR

ACCESSORY DIMENSIONS

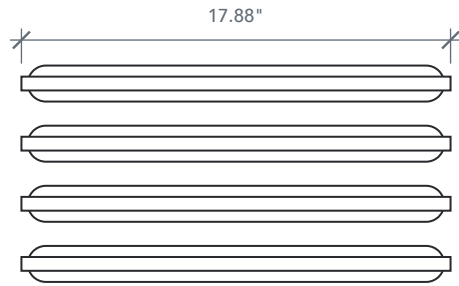
ARTWORK SCALE: AS NOTED



SDL BAR SIDE PROFILE

ARTWORK SCALE: 1"=1"

ACSDF23001 3-LITE FOR 6'8" FIR DOOR
ACSDW23005 3-LITE FOR 6'8" SMOOTH DOOR

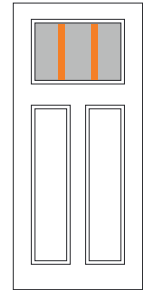


ACCESSORY INFO

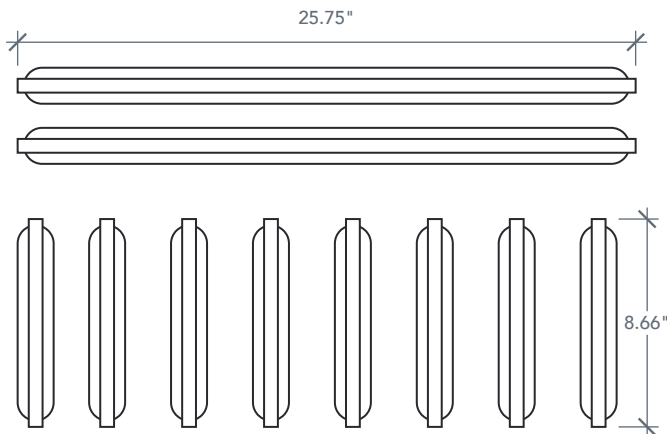
ARTWORK SCALE: 1 1/2"=1"

Pieces Per Set: 4
 17 1/8" SDL Bars (4 pcs.)

Matching Doors:
 DRF3C G000 | Spec Page 23
 DRS3C G000 | Spec Page 23



ACSDF23002 6-LITE FOR 6'8" FIR DOOR
ACSDW23006 6-LITE FOR 6'8" SMOOTH DOOR

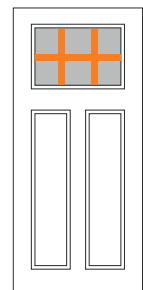


ACCESSORY INFO

ARTWORK SCALE: 1 1/2"=1"

Pieces Per Set: 10
 25 3/4" SDL Bars (2 pcs.)
 8 2 1/32" SDL Bars (8 pcs.)

Matching Doors:
 DRF3C G000 | Spec Page 23
 DRS3C G000 | Spec Page 23



SDL BARS SIMULATED DIVIDED LITES

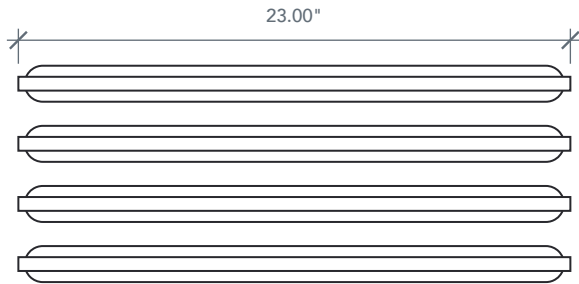
SMOOTH & FIR

ACCESSORY DIMENSIONS

ARTWORK SCALE: AS NOTED

ACSDF23005 3-LITE FOR 8'0" FIR DOOR

ACSDW23001 3-LITE FOR 8'0" SMOOTH DOOR



ACCESSORY INFO

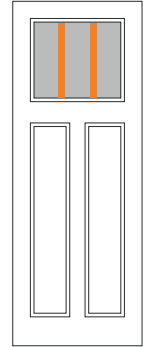
ARTWORK SCALE: 1 1/2"=1"

Pieces Per Set: 4
23" SDL Bars (4 pcs.)

Matching Doors:

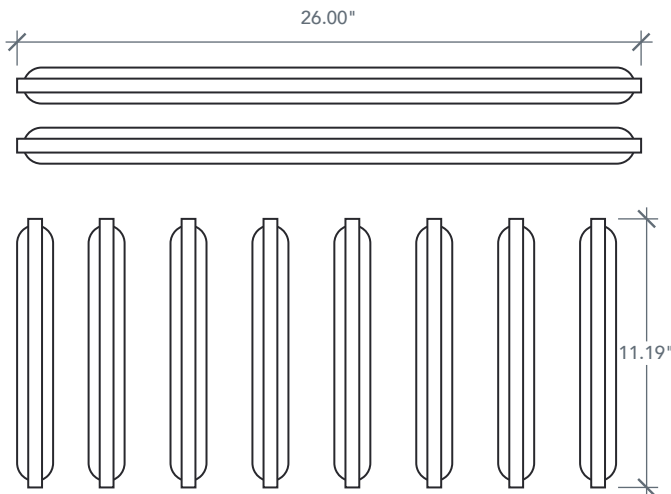
DRF3C80 G000 | Spec Page 24

DRS3C80 G000 | Spec Page 24



ACSDF23006 6-LITE FOR 8'0" FIR DOOR

ACSDW23002 6-LITE FOR 8'0" SMOOTH DOOR



ACCESSORY INFO

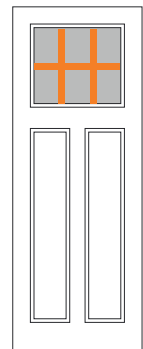
ARTWORK SCALE: 1 1/2"=1"

Pieces Per Set: 10
26" SDL Bars (2 pcs.)
11 3/16" SDL Bars (8 pcs.)

Matching Doors:

DRF3C80 G000 | Spec Page 24

DRS3C80 G000 | Spec Page 24



ACSDF23004 2-LITE FOR 6'8" & 8'0" FIR SIDELITE

ACSDW23004 2-LITE FOR 6'8" & 8'0" SMOOTH SIDELITE



ACCESSORY INFO

ARTWORK SCALE: 1 1/2"=1"

Pieces Per Set: 2
8 3/4" SDL Bars (2 pcs.)

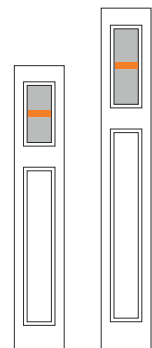
Matching Sidelites:

SLF3C G000 | Spec Page 33

SLF3C80 G000 | Spec Page 34

SLS3C G000 | Spec Page 33

SLS3C80 G000 | Spec Page 34

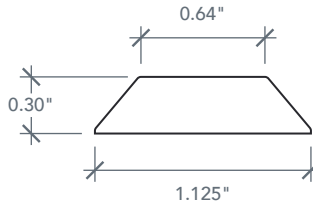
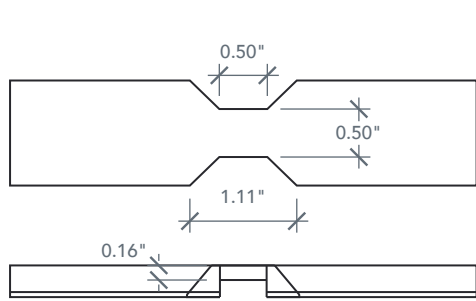


SDL BARS SIMULATED DIVIDED LITES

SMOOTH & FIR

AVAILABLE SIZING

ARTWORK SCALE: AS NOTED



SDL BAR SIDE PROFILE

ARTWORK NOT TO SCALE

ACSDF3S680-3L 3-LITE FOR 6'8" FIR DOOR
ACSDW3S680-3L 3-LITE FOR 6'8" SMOOTH DOOR

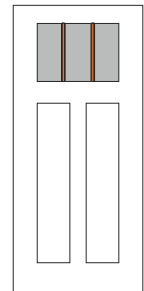


ACCESSORY INFO

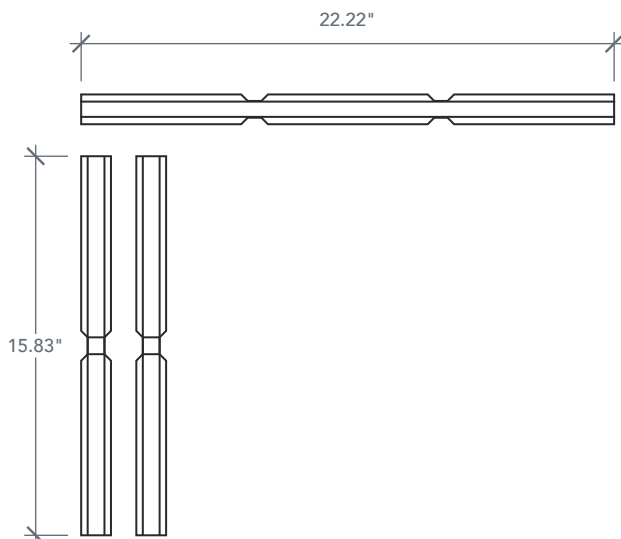
ARTWORK SCALE: 1 1/2"=1"

Pieces Per Set: 2
 15.87" SDL Bars (2 pcs.)

Matching Doors:
 DRF3SL | Spec Page 27
 DRS3SL | Spec Page 27



ACSDF3S680-6L 6-LITE FOR 6'8" FIR DOOR
ACSDW3S680-6L 6-LITE FOR 6'8" SMOOTH DOOR

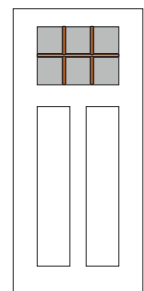


ACCESSORY INFO

ARTWORK SCALE: 1 1/2"=1"

Pieces Per Set: 3
 22.22" SDL Bars (1 pcs.)
 15.83" SDL Bars (2 pcs.)

Matching Doors:
 DRF3SL | Spec Page 27
 DRS3SL | Spec Page 27



SDL BARS SIMULATED DIVIDED LITES

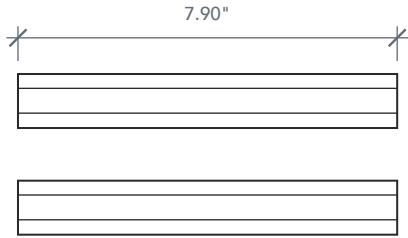
SMOOTH & FIR

AVAILABLE SIZING

ARTWORK SCALE: AS NOTED

ACSDF4S6802-2SL 3-LITE FOR 6'8" FIR DOOR

ACSDW3S6802-2SL 3-LITE FOR 6'8" SMOOTH DOOR



ACCESSORY INFO

ARTWORK SCALE: 3"=1"

Pieces Per Set: 1
7.9" SDL Bars (1 pcs.)

Matching Sidelite:
DRF3SL | Spec Page 37
DRF3SL | Spec Page 37





RUSTIC SERIES

Hold your horses everyone, because you've got to see the breathtaking country like doors that Plastpro's Rustic Series has to offer. This series is far from ordinary. Its distinct panel details, beautifully crafted vertical planks, and arched and radius tops deliver a warm and homey sensation to any entryway. Our Rustic Doors' dark and smooth features also add a touch of modernness while embracing sweet southern hospitality. For those wanting to magnify the vintage look, this series also includes a line of wrought iron accessories for further customization, one can't help but observe.

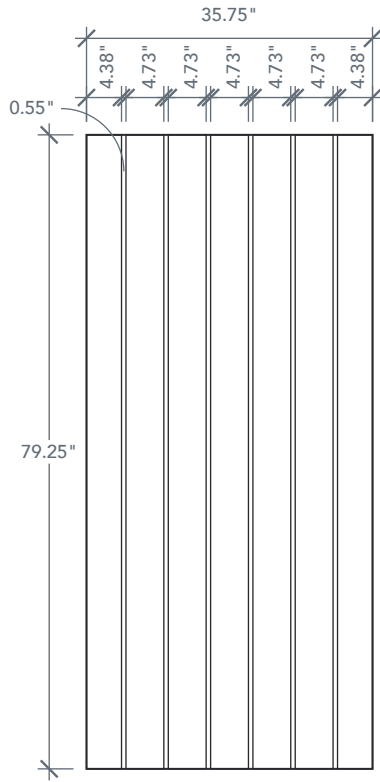
PG 48 - 65

6'8" DRATP TRUE PLANK DOOR

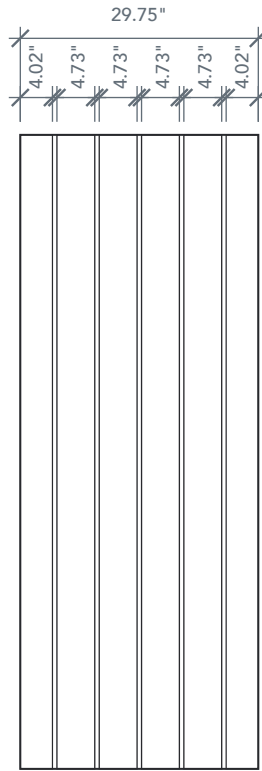
SQUARE TOP

AVAILABLE SIZING

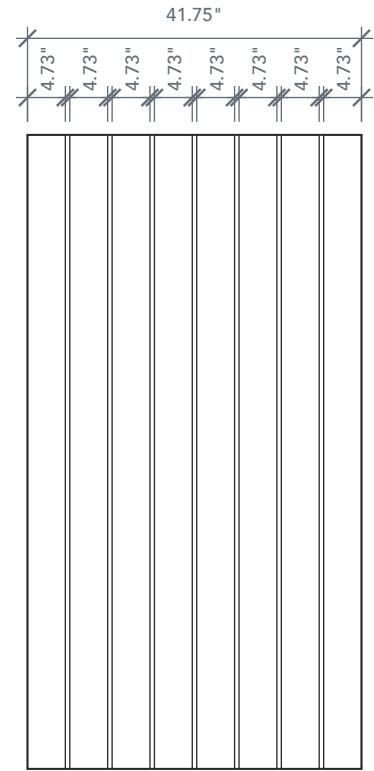
ARTWORK SCALE: 1/2"=1'



3' 0" x 6' 8"



2' 6" x 6' 8"



3' 6" x 6' 8"

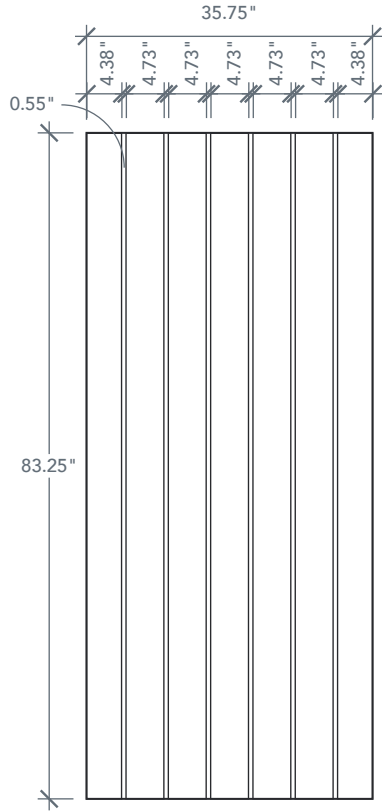
NOTE: BY REQUEST, DOOR HEIGHT COMES IN VARYING DIMENSIONS TO A MINIMUM OF 79". EXCESS WILL BE TAKEN FROM BOTTOM RAIL. ALL OTHER DIMENSIONS WILL REMAIN THE SAME.

7'0" DRATP70 TRUE PLANK DOOR

SQUARE TOP

AVAILABLE SIZING

ARTWORK SCALE: 1/2"=1'



3' 0" x 7' 0"

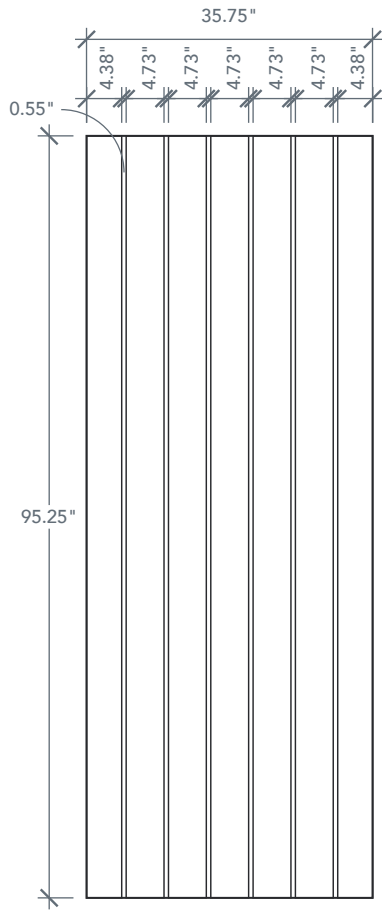
NOTE: BY REQUEST, DOOR HEIGHT COMES IN VARYING DIMENSIONS TO A MINIMUM OF 83". EXCESS WILL BE TAKEN FROM BOTTOM RAIL. ALL OTHER DIMENSIONS WILL REMAIN THE SAME.

8'0" DRATP80 TRUE PLANK DOOR

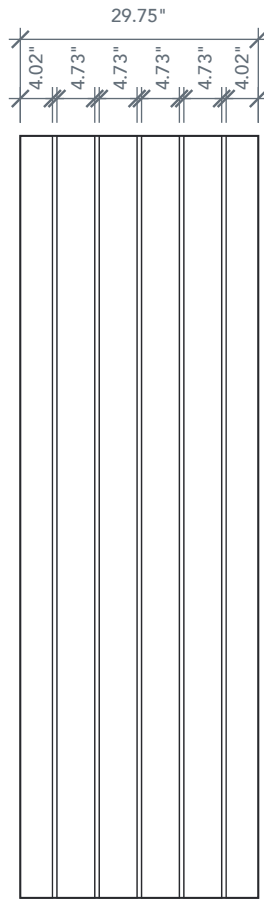
SQUARE TOP

AVAILABLE SIZING

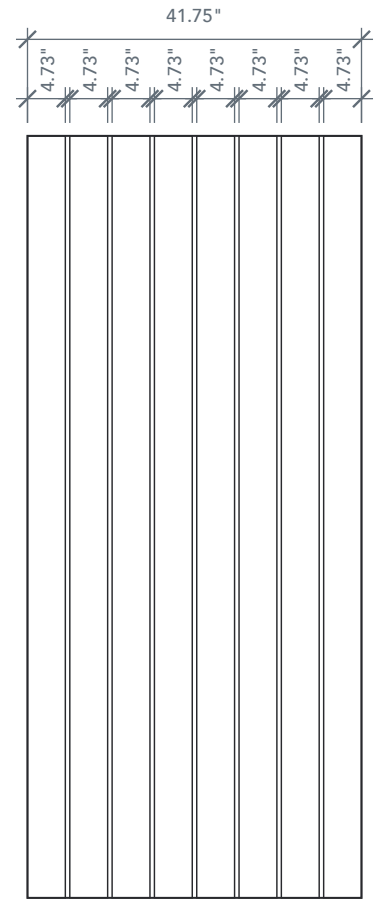
ARTWORK SCALE: 1/2"=1'



3' 0" x 8' 0"



2' 6" x 8' 0"



3' 6" x 8' 0"

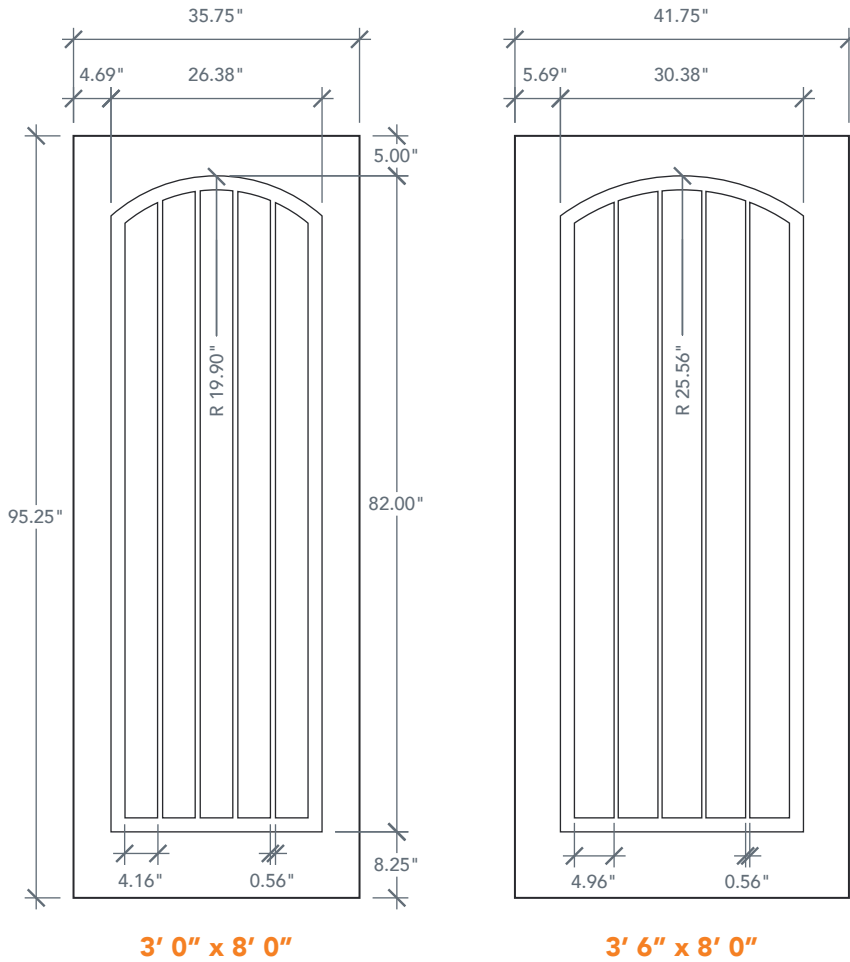
NOTE: BY REQUEST, DOOR HEIGHT COMES IN VARYING DIMENSIONS TO A MINIMUM OF 95". EXCESS WILL BE TAKEN FROM BOTTOM RAIL. ALL OTHER DIMENSIONS WILL REMAIN THE SAME.

8'0" DRA1A80 ONE PANEL DOOR

ARCH PLANK & SQUARE TOP

AVAILABLE SIZING

ARTWORK SCALE: 1/2"=1'



3' 0" x 8' 0"

3' 6" x 8' 0"

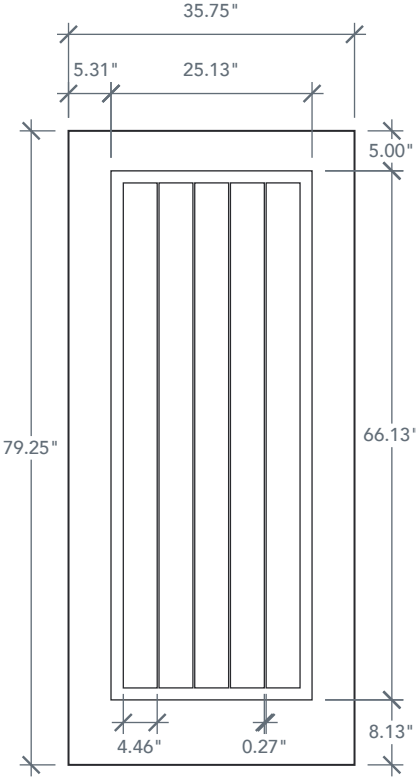
NOTE: BY REQUEST, DOOR HEIGHT COMES IN VARYING DIMENSIONS TO A MINIMUM OF 95". EXCESS WILL BE TAKEN FROM BOTTOM RAIL. ALL OTHER DIMENSIONS WILL REMAIN THE SAME.

6'8" DRA1P ONE PANEL DOOR

SQUARE PLANK & SQUARE TOP

AVAILABLE SIZING

ARTWORK SCALE: 1/2"=1'



3' 0" x 6' 8"

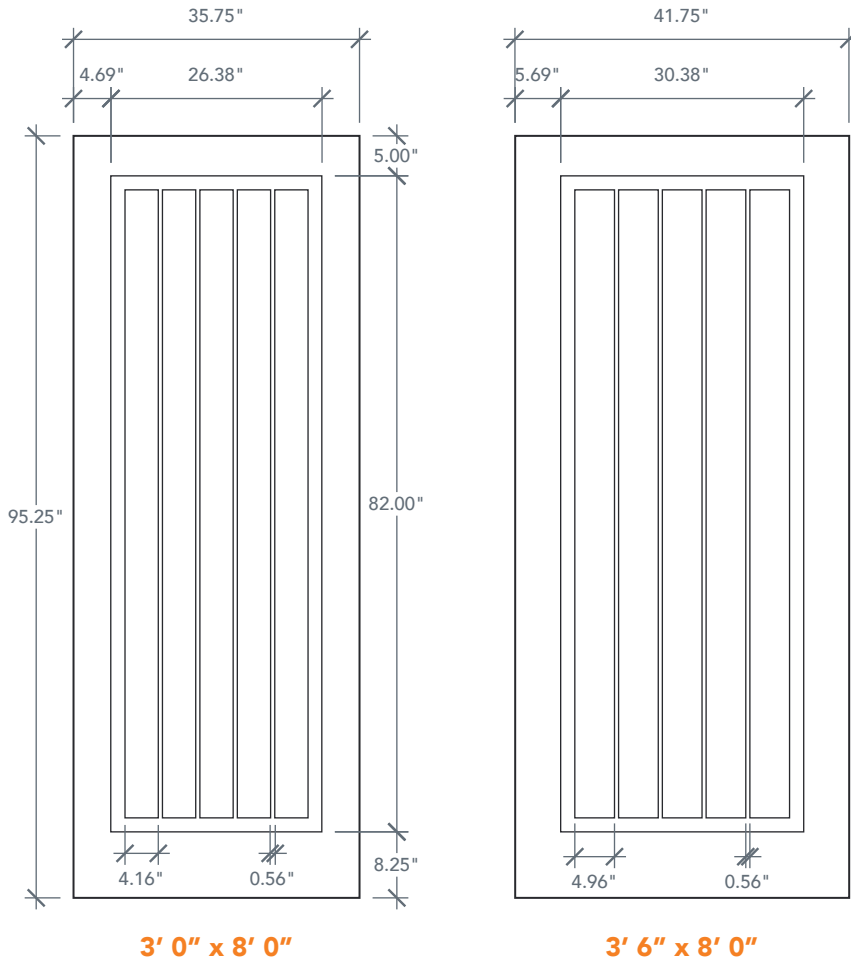
NOTE: BY REQUEST, DOOR HEIGHT COMES IN VARYING DIMENSIONS TO A MINIMUM OF 79". EXCESS WILL BE TAKEN FROM BOTTOM RAIL. ALL OTHER DIMENSIONS WILL REMAIN THE SAME.

8'0" DRA1P80 ONE PANEL DOOR

SQUARE PLANK & SQUARE TOP

AVAILABLE SIZING

ARTWORK SCALE: 1/2"=1'



3' 0" x 8' 0"

3' 6" x 8' 0"

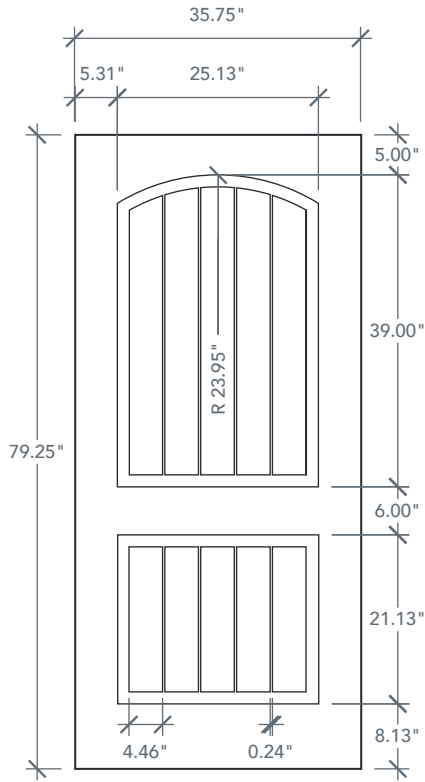
NOTE: BY REQUEST, DOOR HEIGHT COMES IN VARYING DIMENSIONS TO A MINIMUM OF 95". EXCESS WILL BE TAKEN FROM BOTTOM RAIL. ALL OTHER DIMENSIONS WILL REMAIN THE SAME.

6'8" DRA2A TWO PANEL DOOR

ARCH PLANK & SQUARE TOP

AVAILABLE SIZING

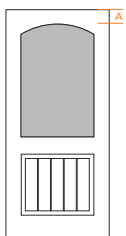
ARTWORK SCALE: 1/2"=1'



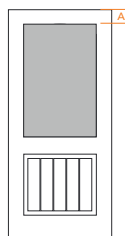
3' 0" x 6' 8"

NOTE: BY REQUEST, DOOR HEIGHT COMES IN VARYING DIMENSIONS TO A MINIMUM OF 79". EXCESS WILL BE TAKEN FROM BOTTOM RAIL. ALL OTHER DIMENSIONS WILL REMAIN THE SAME.

CUTOUTS & GLASS



HALF ARCH LITE	
3R4	
3'0"	Cutout 25 1/4" x 39"
	Glass 24 1/4" x 38"
A = 5.0"	



HALF LITE	
344	
3'0"	Cutout 25 1/8" x 39"
	Glass 24 1/8" x 38"
A = 5.0"	

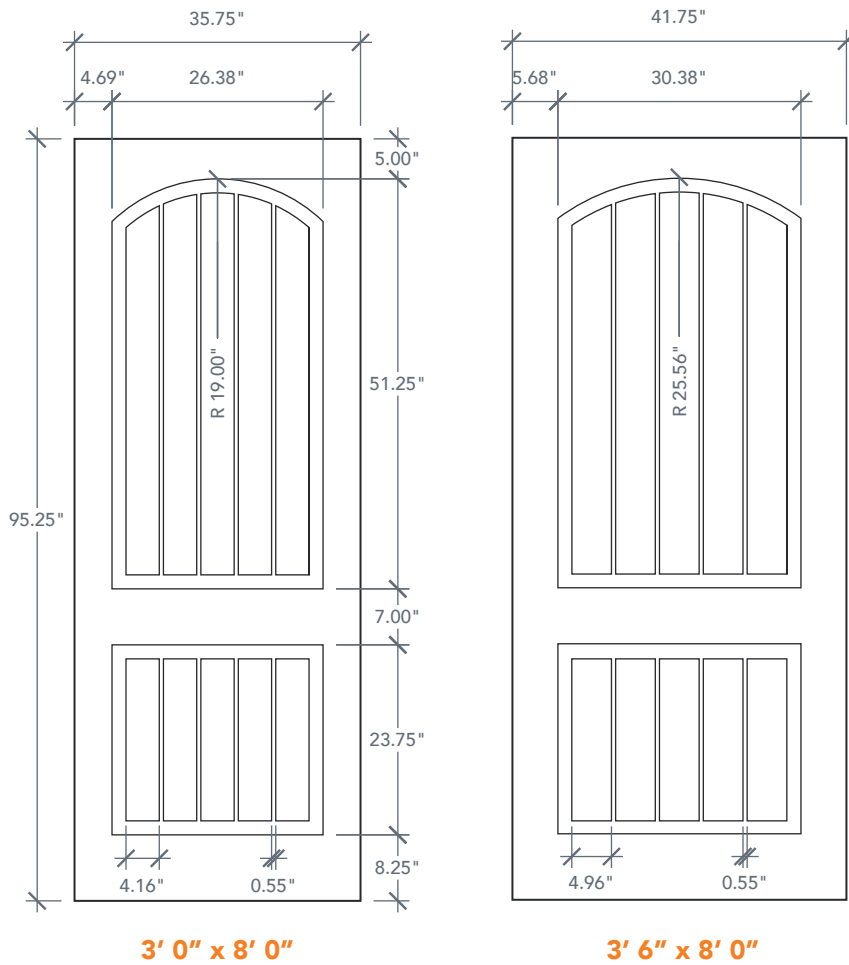
A = DISTANCE FROM TOP OF DOOR TO TOP OF OPENING

8'0" DRA2A80 TWO PANEL DOOR

ARCH PLANK & SQUARE TOP

AVAILABLE SIZING

ARTWORK SCALE: 1/2"=1'



NOTE: BY REQUEST, DOOR HEIGHT COMES IN VARYING DIMENSIONS TO A MINIMUM OF 95". EXCESS WILL BE TAKEN FROM BOTTOM RAIL. ALL OTHER DIMENSIONS WILL REMAIN THE SAME.

CUTOUTS & GLASS

HALF ARCH LITE		
3R5		
3'0"	Cutout	26 3/8" x 51 1/4"
	Glass	25 3/8" x 50 1/4"
3R6		
3'6"	Cutout	30 3/8" x 51 1/4"
	Glass	29 3/8" x 50 1/4"
A = 5.0"		

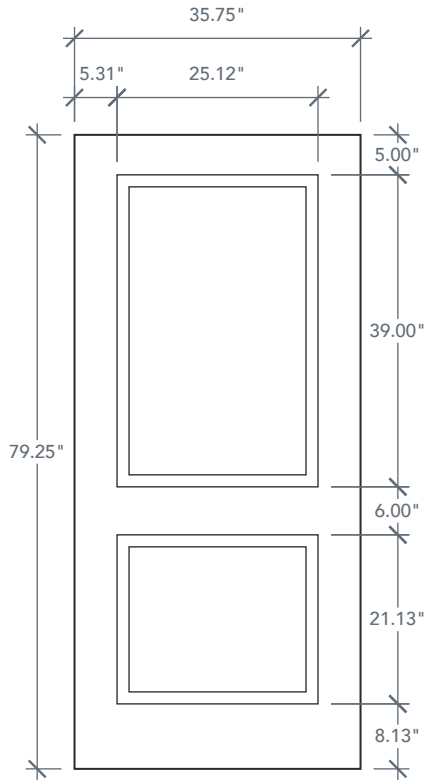
A = DISTANCE FROM TOP OF DOOR TO TOP OF OPENING

6'8" DRA2B TWO PANEL DOOR

SQUARE PANEL & SQUARE TOP

AVAILABLE SIZING

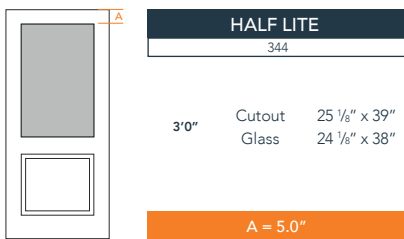
ARTWORK SCALE: 1/2"=1'



3' 0" x 6' 8"

NOTE: BY REQUEST, DOOR HEIGHT COMES IN VARYING DIMENSIONS TO A MINIMUM OF 79". EXCESS WILL BE TAKEN FROM BOTTOM RAIL. ALL OTHER DIMENSIONS WILL REMAIN THE SAME.

CUTOUTS & GLASS



A = DISTANCE FROM TOP OF DOOR TO TOP OF OPENING

MATCHING SIDELITES

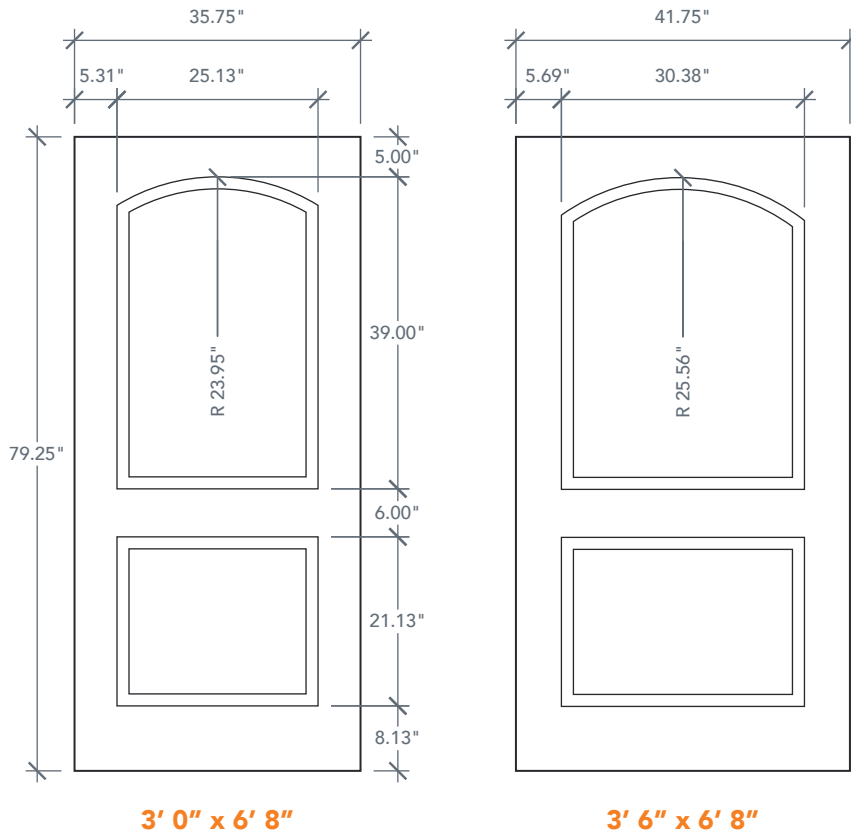


6'8" DRA2D TWO PANEL DOOR

ARCH PANEL & SQUARE TOP

AVAILABLE SIZING

ARTWORK SCALE: 1/2"=1'

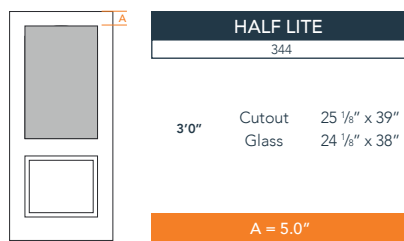
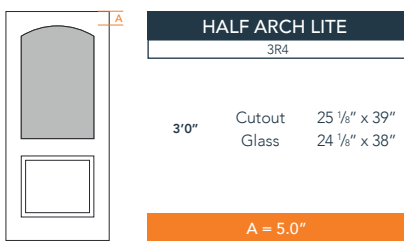


3' 0" x 6' 8"

3' 6" x 6' 8"

NOTE: BY REQUEST, DOOR HEIGHT COMES IN VARYING DIMENSIONS TO A MINIMUM OF 79". EXCESS WILL BE TAKEN FROM BOTTOM RAIL. ALL OTHER DIMENSIONS WILL REMAIN THE SAME.

CUTOUTS & GLASS



A = DISTANCE FROM TOP OF DOOR TO TOP OF OPENING

MATCHING SIDELITES

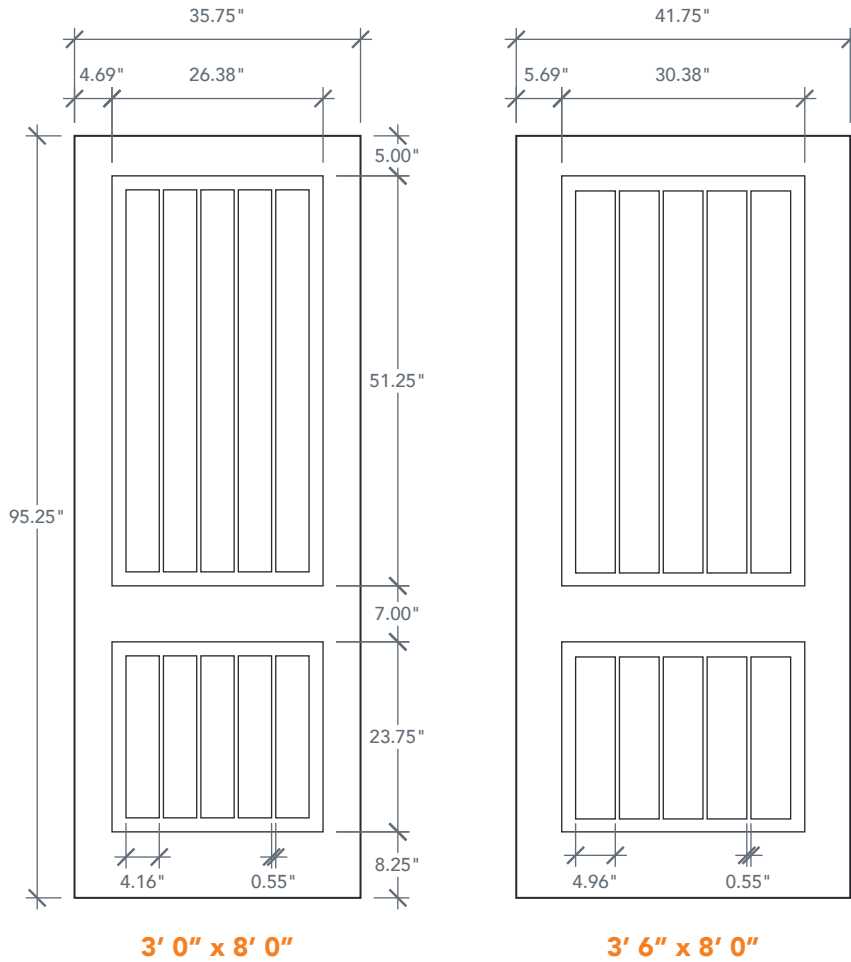


8'0" DRA2P80 TWO PANEL DOOR

SQUARE PLANK & SQUARE TOP

AVAILABLE SIZING

ARTWORK SCALE: 1/2"=1'



NOTE: BY REQUEST, DOOR HEIGHT COMES IN VARYING DIMENSIONS TO A MINIMUM OF 95". EXCESS WILL BE TAKEN FROM BOTTOM RAIL. ALL OTHER DIMENSIONS WILL REMAIN THE SAME.

CUTOUTS & GLASS

HALF LITE	
HL6	
3'0"	Cutout 26 1/2" x 51"
	Glass 25 1/2" x 50"
346	
3'6"	Cutout 30 3/8" x 51 1/4"
	Glass 29 3/8" x 50 1/4"
A = 5.0"	

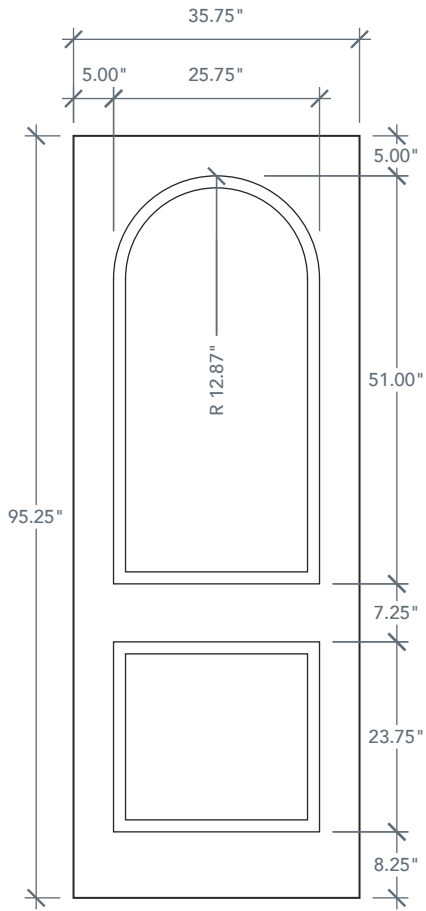
A = DISTANCE FROM TOP OF DOOR TO TOP OF OPENING

8'0" DRA2R80 TWO PANEL DOOR

RADIUS PANEL & SQUARE TOP

AVAILABLE SIZING

ARTWORK SCALE: 1/2"=1'



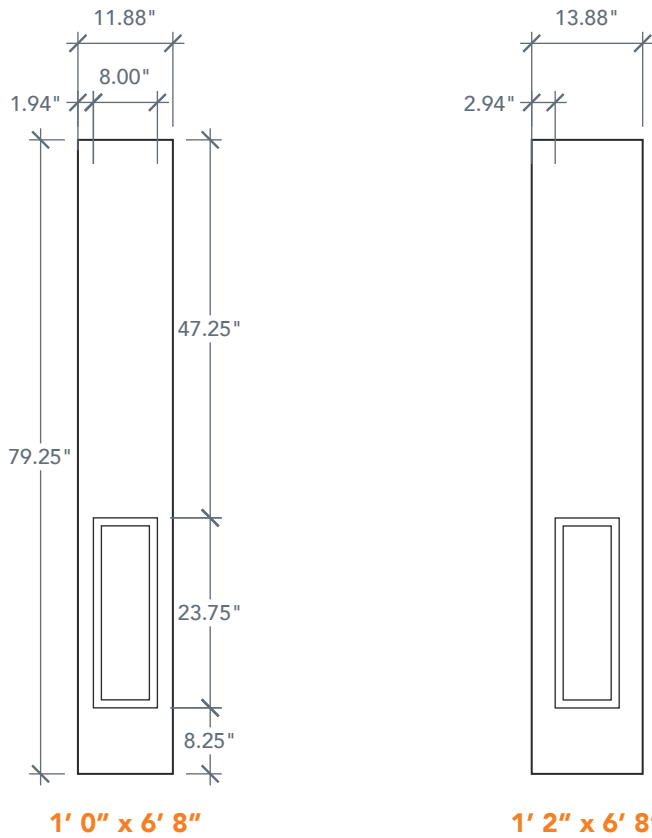
3' 0" x 8' 0"

NOTE: BY REQUEST, DOOR HEIGHT COMES IN VARYING DIMENSIONS TO A MINIMUM OF 95". EXCESS WILL BE TAKEN FROM BOTTOM RAIL. ALL OTHER DIMENSIONS WILL REMAIN THE SAME.

6'8" SLA2B TWO PANEL SIDELITE

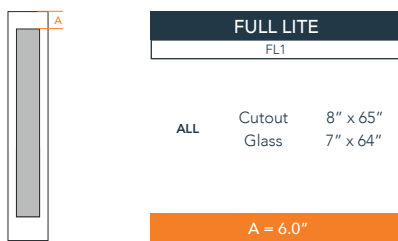
AVAILABLE SIZING

ARTWORK SCALE: 1/2"=1'



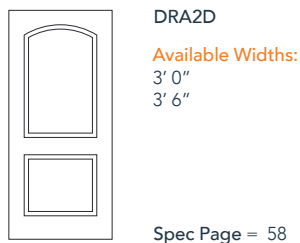
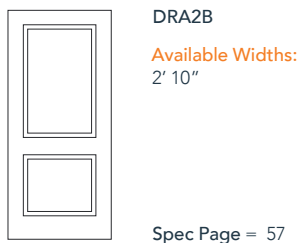
NOTE: BY REQUEST, SIDELITE HEIGHT COMES IN VARYING DIMENSIONS TO A MINIMUM OF 79". EXCESS WILL BE TAKEN FROM BOTTOM RAIL. ALL OTHER DIMENSIONS WILL REMAIN THE SAME.

CUTOUTS & GLASS



A = DISTANCE FROM TOP OF DOOR TO TOP OF OPENING

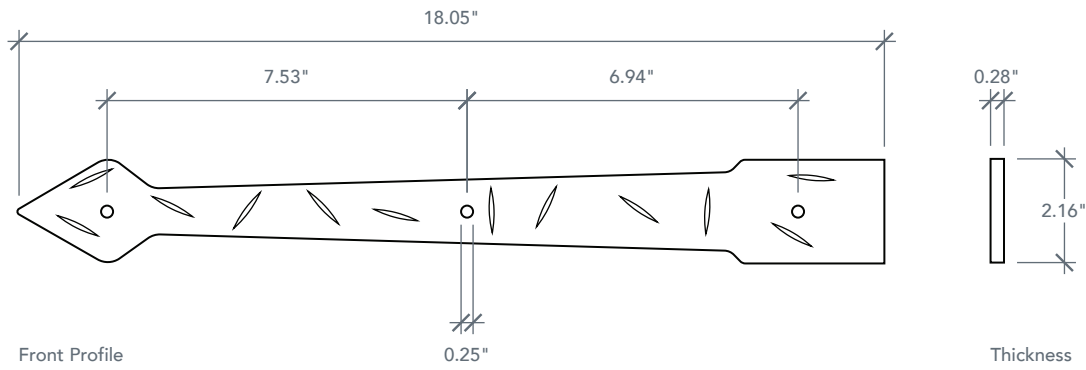
MATCHING DOORS



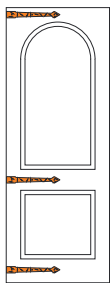
18" ACCHGSTP18 WROUGHT IRON HINGE STRAP

ACCESSORY DIMENSIONS

ARTWORK SCALE: 3"=1'



ACCESSORY INFO



Pieces in Set: 10
18" Hinge Strap (x3)

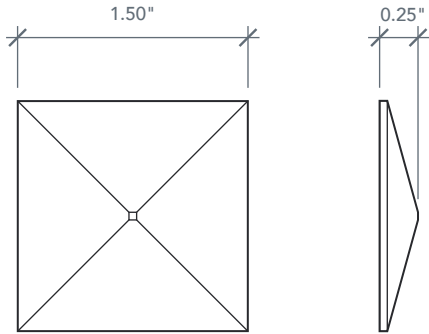
Matching Doors:
Rustic Door Series

DECORATIVE CLAVOS

ACCESSORY DIMENSIONS & INFO

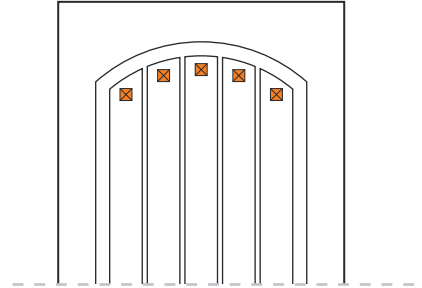
ARTWORK NOT TO SCALE

1.50" ACCLP12Q SQUARE CLAVOS

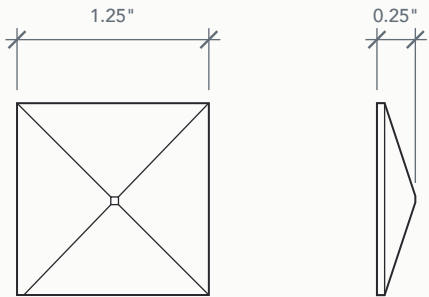


Pieces in Set: 10
1.50" Square Clavos (x10)

Matching Doors:
Rustic Door Series

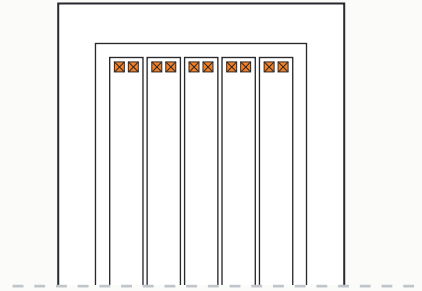


1.25" ACCLP14Q SQUARE CLAVOS

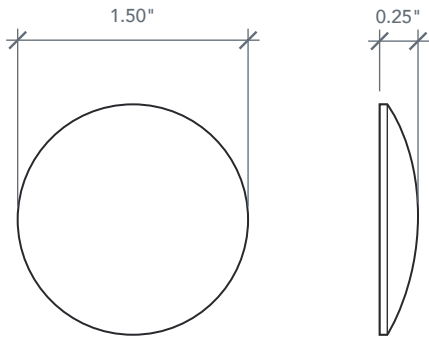


Pieces in Set: 10
1.25" Square Clavos (x10)

Matching Doors:
Rustic Door Series

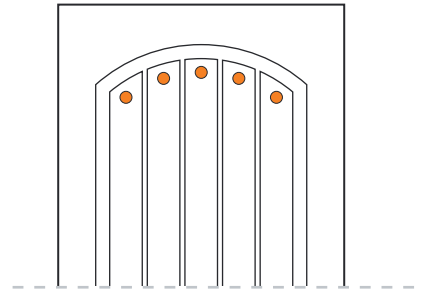


1.50" ACCLP12R ROUND CLAVOS

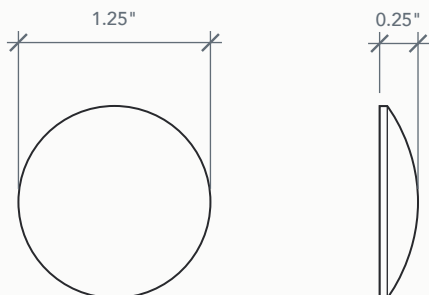


Pieces in Set: 10
1.50" Round Clavos (x10)

Matching Doors:
Rustic Door Series

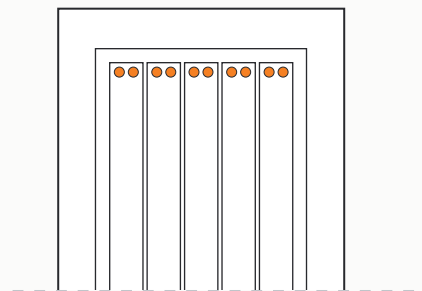


1.25" ACCLP14R ROUND CLAVOS



Pieces in Set: 10
1.25" Round Clavos (x10)

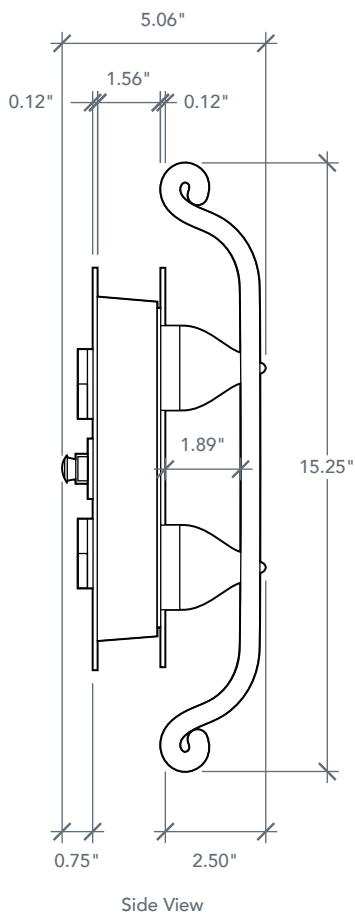
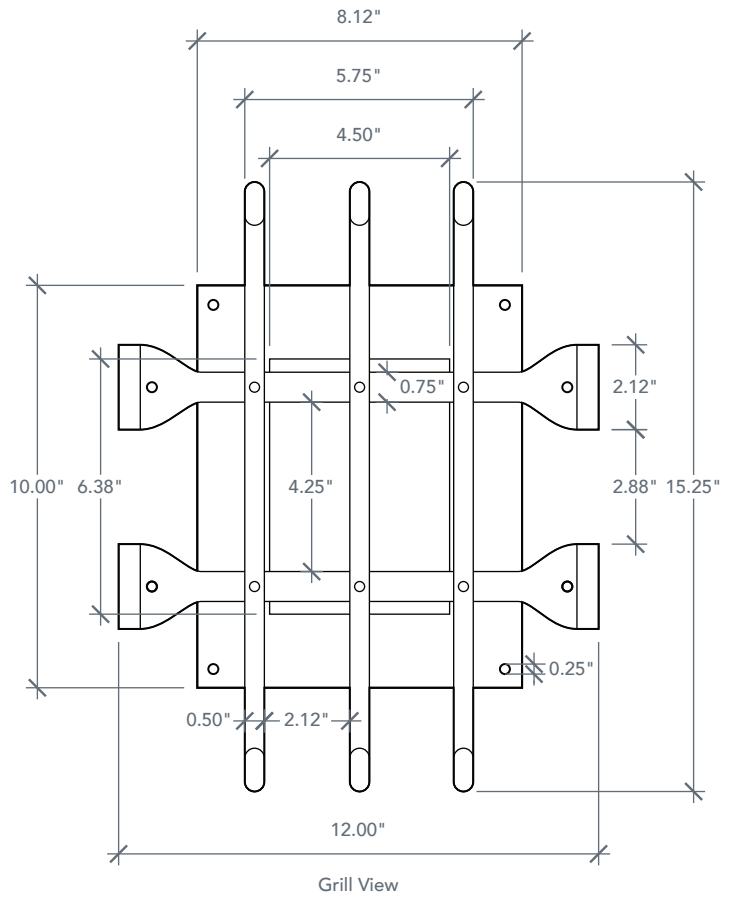
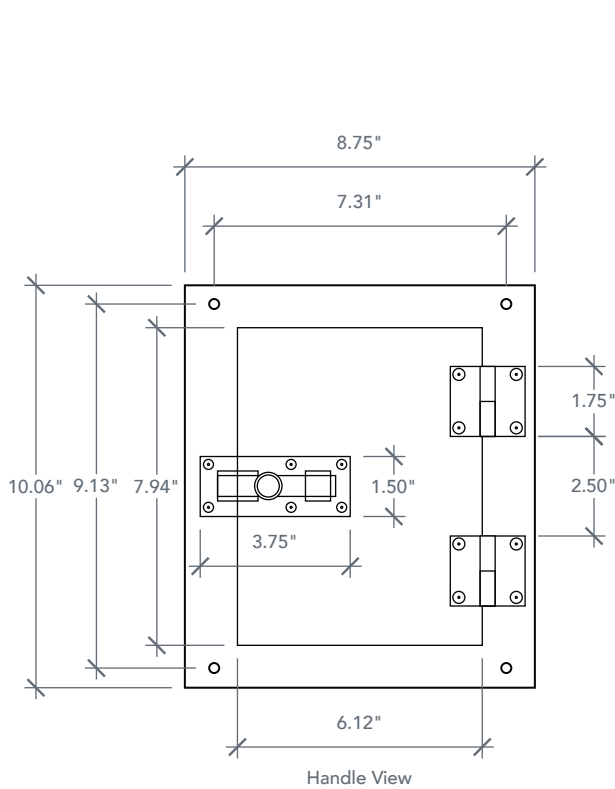
Matching Doors:
Rustic Door Series



ACCSPKY0910KIT WROUGHT IRON SPEAKEASY KIT

ACCESSORY DIMENSIONS

ARTWORK NOT TO SCALE



ACCESSORY INFO

Pieces in Set: 3

- Internal Frame - 8 3/4" x 10 1/16"
- External Frame - 8 1/8" x 10"
- Grill - 12" x 15 1/4"

Glass Type:

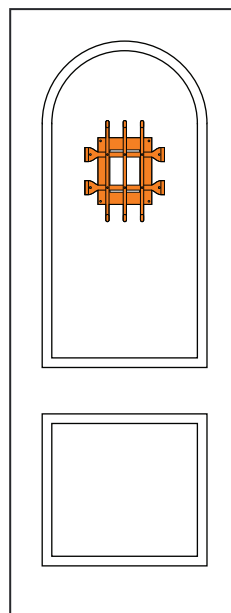
Clear

Door Cutout:

7" x 9"

Matching Doors:

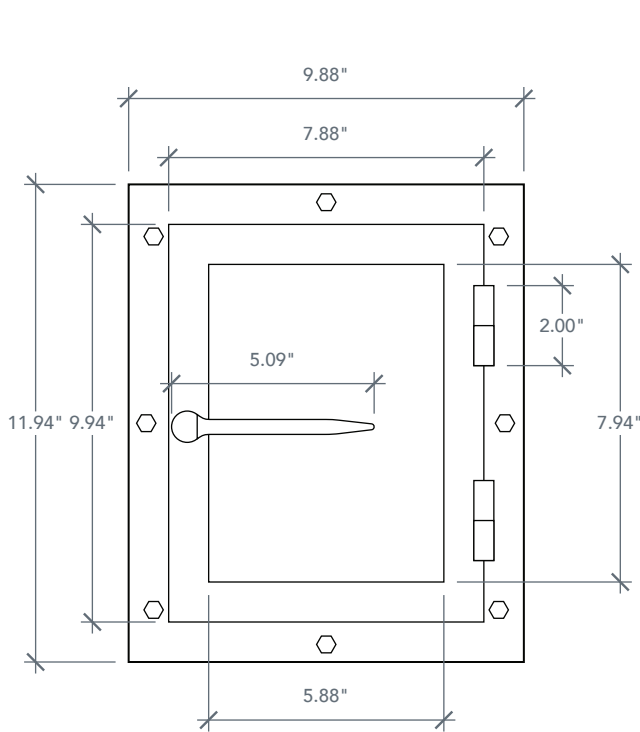
- DRA2A | Spec Page 55
- DRA2B | Spec Page 57
- DRA2D | Spec Page 58
- DRA2R80 | Spec Page 60



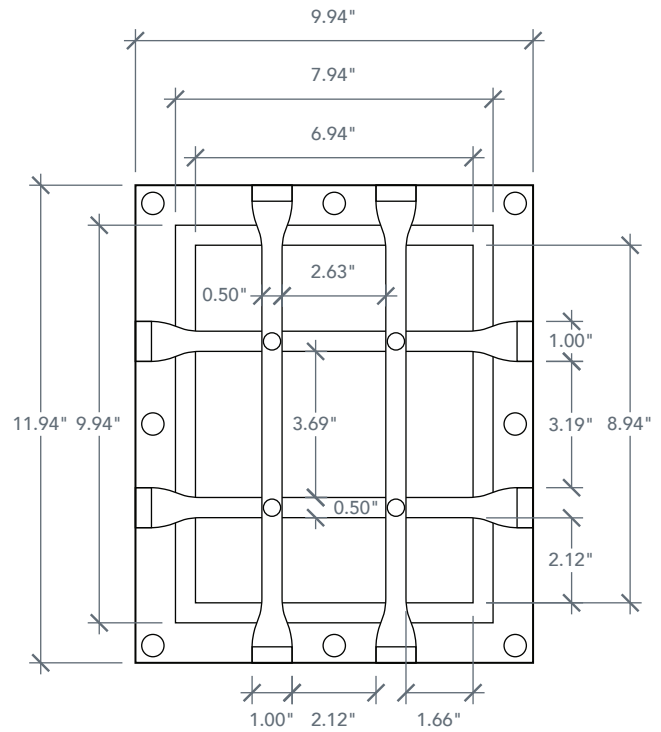
ACCSPKYGSB0KIT WROUGHT IRON SPEAKEASY KIT

ACCESSORY DIMENSIONS

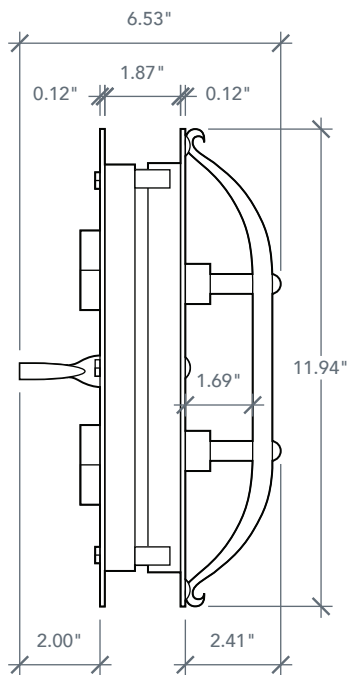
ARTWORK NOT TO SCALE



Handle View



Grill View



Side View

ACCESSORY INFO

Pieces in Set: 2

Internal Frame - $9\frac{7}{8}'' \times 11\frac{15}{16}''$
 External Frame - $9\frac{15}{16}'' \times 11\frac{15}{16}''$

Glass Type:

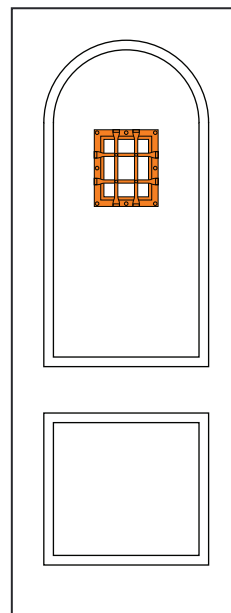
Sea Spray Glass

Door Cutout:

$9\frac{1}{8}'' \times 11\frac{1}{8}''$

Matching Doors:

DRA2A | Spec Page 55
 DRA2B | Spec Page 57
 DRA2D | Spec Page 58
 DRA2R80 | Spec Page 60



MAHOGANY SERIES

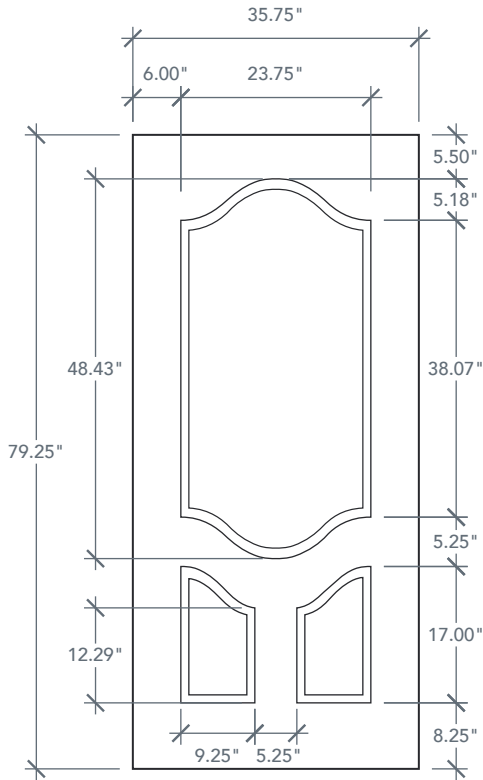
The Mahogany Series seamlessly blends red and brown tones to sculpt a beloved, wood texture that is irresistible to the eye. This series effortlessly embodies traditional, timeless styles that are made to radiate beauty and elegance throughout your home. Our perfectly crafted wood panels can be paired with any of our decorative glass options which explains why these fiberglass doors are a hot commodity. This line is also compatible with any layout you desire, giving you the freedom to transform your home into your masterpiece.

PG 66 - 75

6'8" DRM3D THREE PANEL DELUXE DOOR

AVAILABLE SIZING

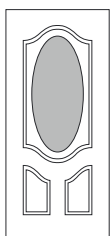
ARTWORK SCALE: 1/2"=1'



3' 0" x 6' 8"

NOTE: BY REQUEST, DOOR HEIGHT COMES IN VARYING DIMENSIONS TO A MINIMUM OF 79". EXCESS WILL BE TAKEN FROM BOTTOM RAIL. ALL OTHER DIMENSIONS WILL REMAIN THE SAME.

CUTOUTS & GLASS



3/4 OVAL LITE
3V2

3'0" Cutout 17.84" x 40.12"
Glass 16.78" x 38.72"

OVAL CUTOUT IS CENTERED IN PANEL HEIGHT

MATCHING SIDELITES



SLM3D

Available Widths:

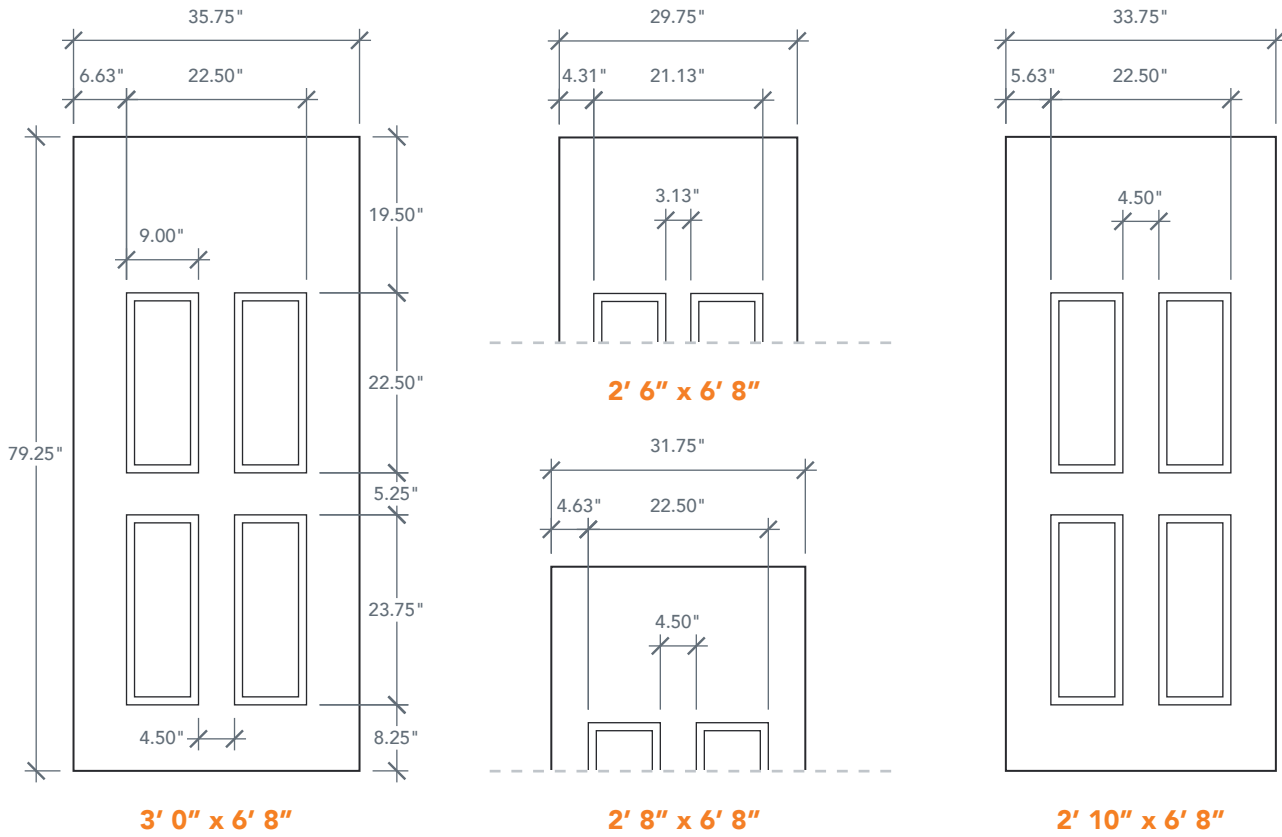
1' 0"
1' 2"

Spec Page = 72

6'8" DRM40 FOUR PANEL BLANK TOP DOOR

AVAILABLE SIZING

ARTWORK SCALE: 1/2"=1'



NOTE: BY REQUEST, DOOR HEIGHT COMES IN VARYING DIMENSIONS TO A MINIMUM OF 79". EXCESS WILL BE TAKEN FROM BOTTOM RAIL. ALL OTHER DIMENSIONS WILL REMAIN THE SAME.

CUTOUTS & GLASS

	HALF ROUND LITE HR1		
	2'8" 2'10" 3'0"	Cutout Glass	23" x 11" 22" x 10"
A = 4.0"			
	HALF LITE HL3		
	2'6"	Cutout Glass	21" x 37" 20" x 36"
A = 5.0"			
	FULL LITE FL5		
	2'6"	Cutout Glass	21" x 65" 20" x 64"
A = 5.0"			

A = DISTANCE FROM TOP OF DOOR TO TOP OF OPENING

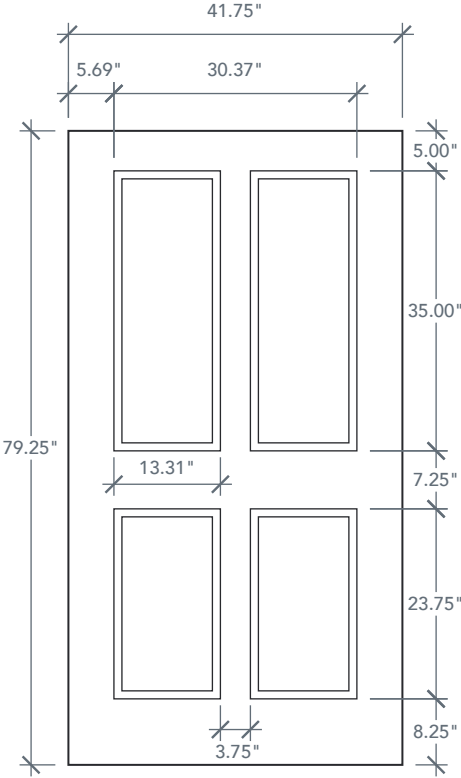
MATCHING SIDELITES

	SLM60
	Available Widths: 1' 0" 1' 2"
Spec Page = 73	

6'8" DRM41 TRUE FOUR PANEL DOOR

AVAILABLE SIZING

ARTWORK SCALE: 1/2"=1'



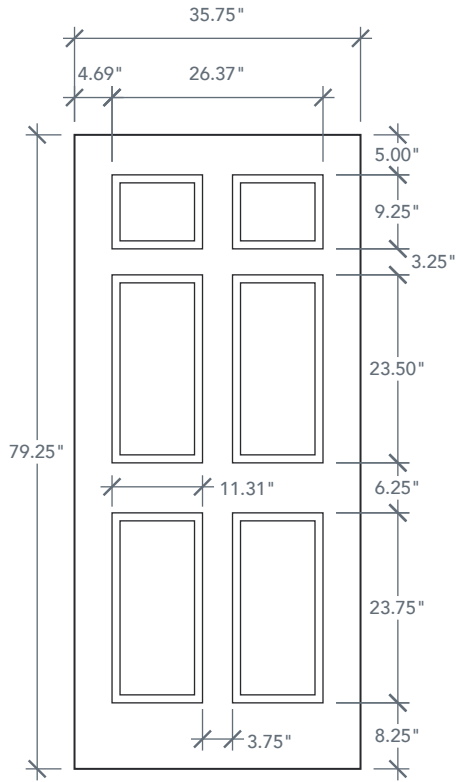
3' 6" x 6' 8"

NOTE: BY REQUEST, DOOR HEIGHT COMES IN VARYING DIMENSIONS TO A MINIMUM OF 79". EXCESS WILL BE TAKEN FROM BOTTOM RAIL. ALL OTHER DIMENSIONS WILL REMAIN THE SAME.

6'8" DRM60 SIX PANEL DOOR

AVAILABLE SIZING

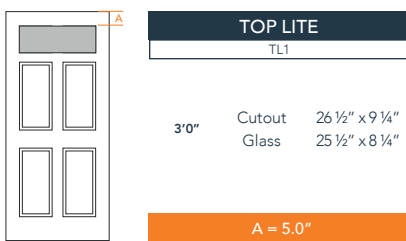
ARTWORK SCALE: 1/2"=1'



3' 0" x 6' 8"

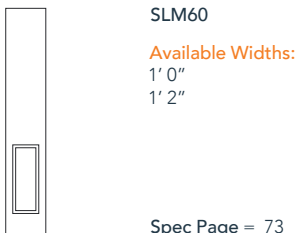
NOTE: BY REQUEST, DOOR HEIGHT COMES IN VARYING DIMENSIONS TO A MINIMUM OF 79". EXCESS WILL BE TAKEN FROM BOTTOM RAIL. ALL OTHER DIMENSIONS WILL REMAIN THE SAME.

CUTOUTS & GLASS



A = DISTANCE FROM TOP OF DOOR TO TOP OF OPENING

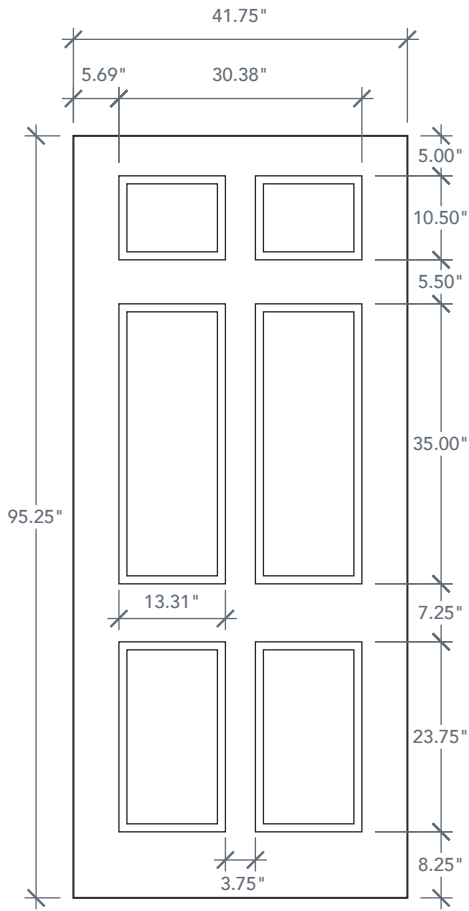
MATCHING SIDELITES



8'0" DRM6080 SIX PANEL DOOR

AVAILABLE SIZING

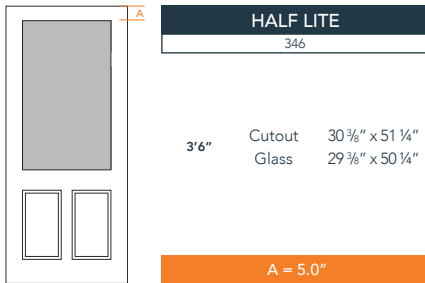
ARTWORK SCALE: 1/2"=1'



3' 6" x 8' 0"

NOTE: BY REQUEST, DOOR HEIGHT COMES IN VARYING DIMENSIONS TO A MINIMUM OF 95". EXCESS WILL BE TAKEN FROM BOTTOM RAIL. ALL OTHER DIMENSIONS WILL REMAIN THE SAME.

CUTOUTS & GLASS



A = DISTANCE FROM TOP OF DOOR TO TOP OF OPENING

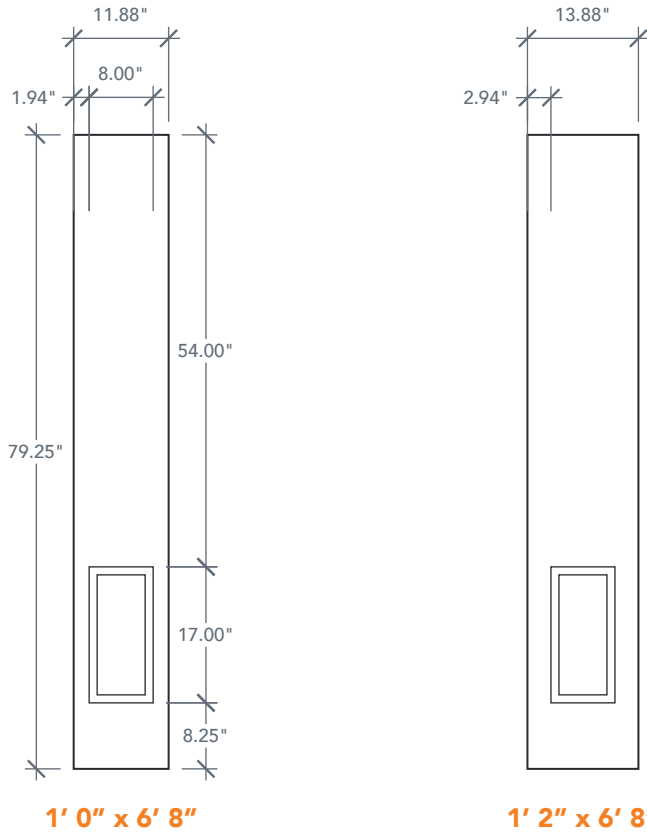
MATCHING SIDELITES



6'8" SLM3D 3/4 DELUXE SIDELITE


AVAILABLE SIZING

ARTWORK SCALE: 1/2"=1'



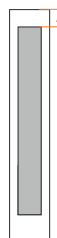
NOTE: BY REQUEST, SIDELITE HEIGHT COMES IN VARYING DIMENSIONS TO A MINIMUM OF 79". EXCESS WILL BE TAKEN FROM BOTTOM RAIL. ALL OTHER DIMENSIONS WILL REMAIN THE SAME.

CUTOUTS & GLASS



3/4 OVAL LITE	
3V1	
ALL	Cutout 8" x 40 1/2"
	Glass 7" x 39 1/2"

A = 9.47"

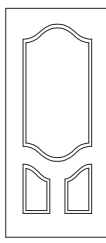


FULL LITE	
FL1	
ALL	Cutout 8" x 65"
	Glass 7" x 64"

A = 6.0"

A = DISTANCE FROM TOP OF DOOR TO TOP OF OPENING

MATCHING DOORS



DRM3D

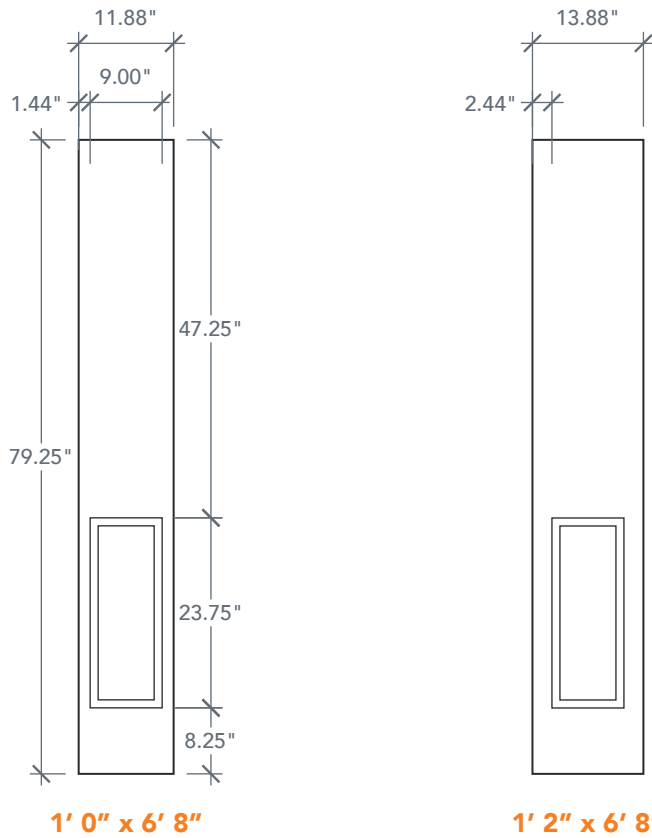
Available Widths:
3' 0"

Spec Page = 67

6'8" SLM60 SIX PANEL SIDELITE

AVAILABLE SIZING

ARTWORK SCALE: 1/2"=1'



1' 0" x 6' 8"

1' 2" x 6' 8"

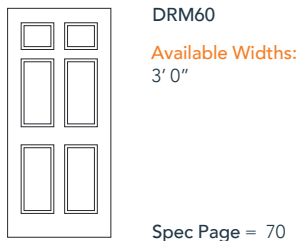
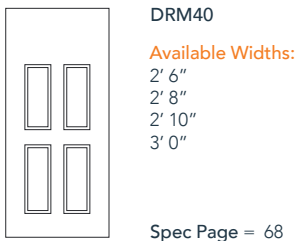
NOTE: BY REQUEST, SIDELITE HEIGHT COMES IN VARYING DIMENSIONS TO A MINIMUM OF 79". EXCESS WILL BE TAKEN FROM BOTTOM RAIL. ALL OTHER DIMENSIONS WILL REMAIN THE SAME.

CUTOUTS & GLASS



A = DISTANCE FROM TOP OF DOOR TO TOP OF OPENING

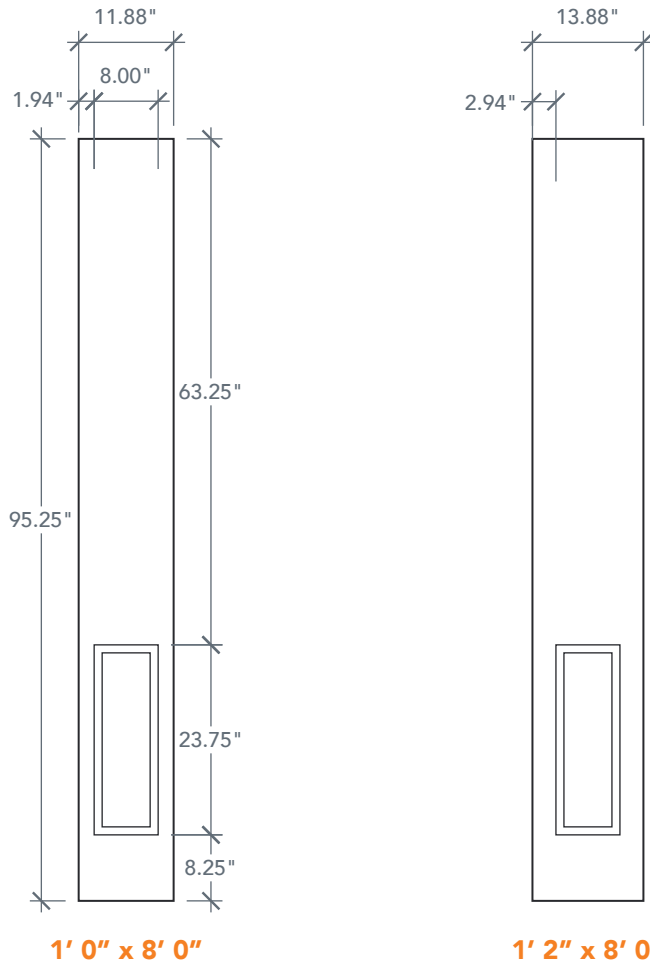
MATCHING DOORS



8'0" SLM6080 SIX PANEL SIDELITE

AVAILABLE SIZING

ARTWORK SCALE: 1/2"=1'



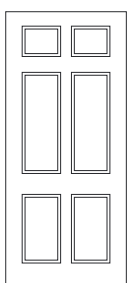
NOTE: BY REQUEST, SIDELITE HEIGHT COMES IN VARYING DIMENSIONS TO A MINIMUM OF 95". EXCESS WILL BE TAKEN FROM BOTTOM RAIL. ALL OTHER DIMENSIONS WILL REMAIN THE SAME.

CUTOUTS & GLASS



A = DISTANCE FROM TOP OF DOOR TO TOP OF OPENING

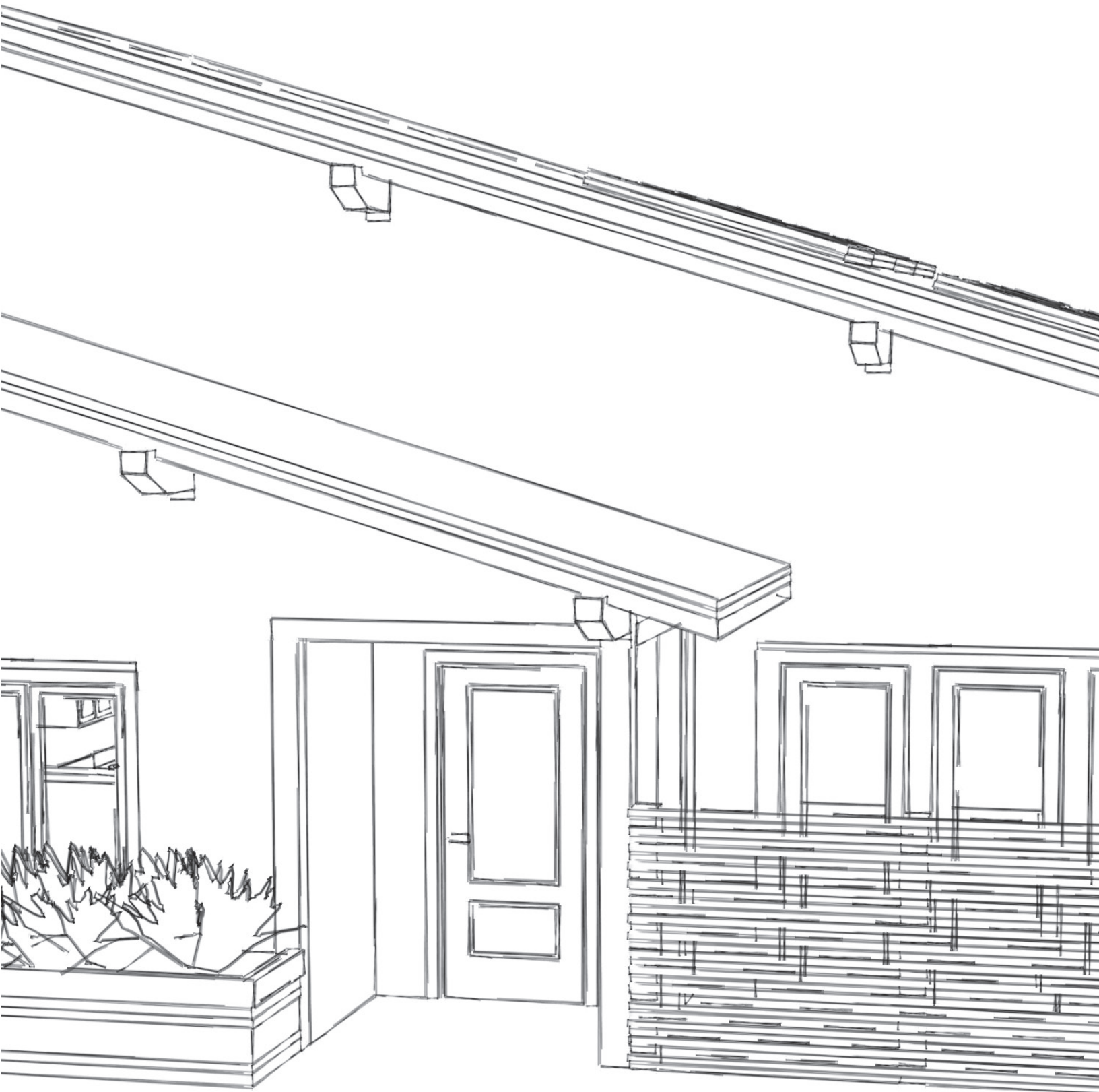
MATCHING DOORS



DRM6080

Available Widths:
3' 6"

Spec Page = 71



OAK SERIES

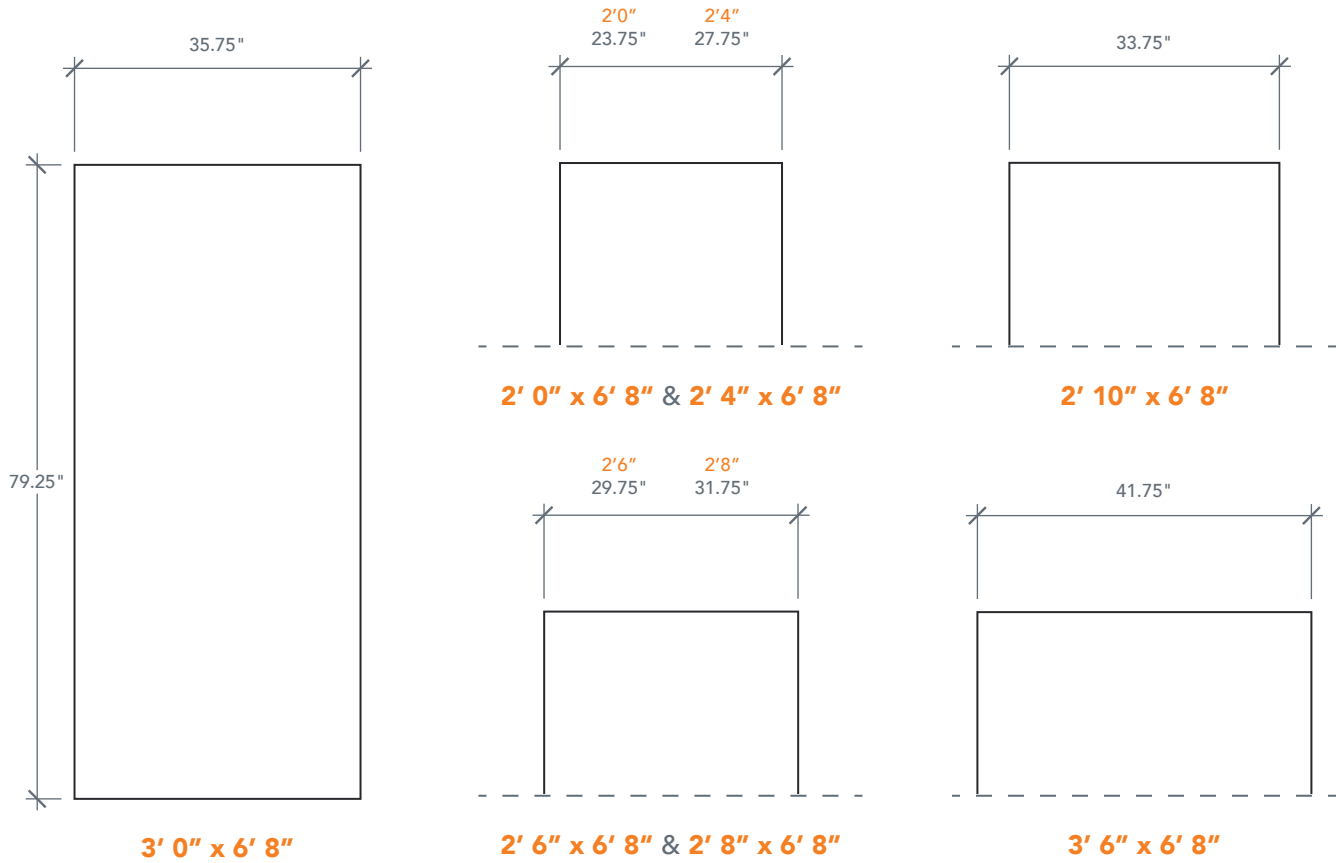
You can't go wrong selecting a door from Plastpro's most popular and finest series; The Oak Series. The rich, grain texture and intricate wood carvings deliver a classic look that all loved ones and guests will be infatuated by. The only thing stronger than the Oak grains door resistance is its magnetism and variability. We have many panel designs available so you can mix and match the Oak Series with our entire glass line to find the right, custom combination. Our Oak doors create a suitable look designed for any entryway and will never go out of style.

PG 76 - 115

6'8" DRG00 FLUSH DOOR

AVAILABLE SIZING

ARTWORK SCALE: 1/2"=1'



NOTE: BY REQUEST, DOOR HEIGHT COMES IN VARYING DIMENSIONS TO A MINIMUM OF 79". EXCESS WILL BE TAKEN FROM BOTTOM RAIL. ALL OTHER DIMENSIONS WILL REMAIN THE SAME.

CUTOUTS & GLASS

	FULL LITE	
	FL5	
2'6"	Cutout	21" x 65"
	Glass	20" x 64"
FL7		
2'8"	Cutout	23" x 65"
	2'10"	Glass
3'0"		
A = 6.0"		

A = DISTANCE FROM TOP OF DOOR TO TOP OF OPENING

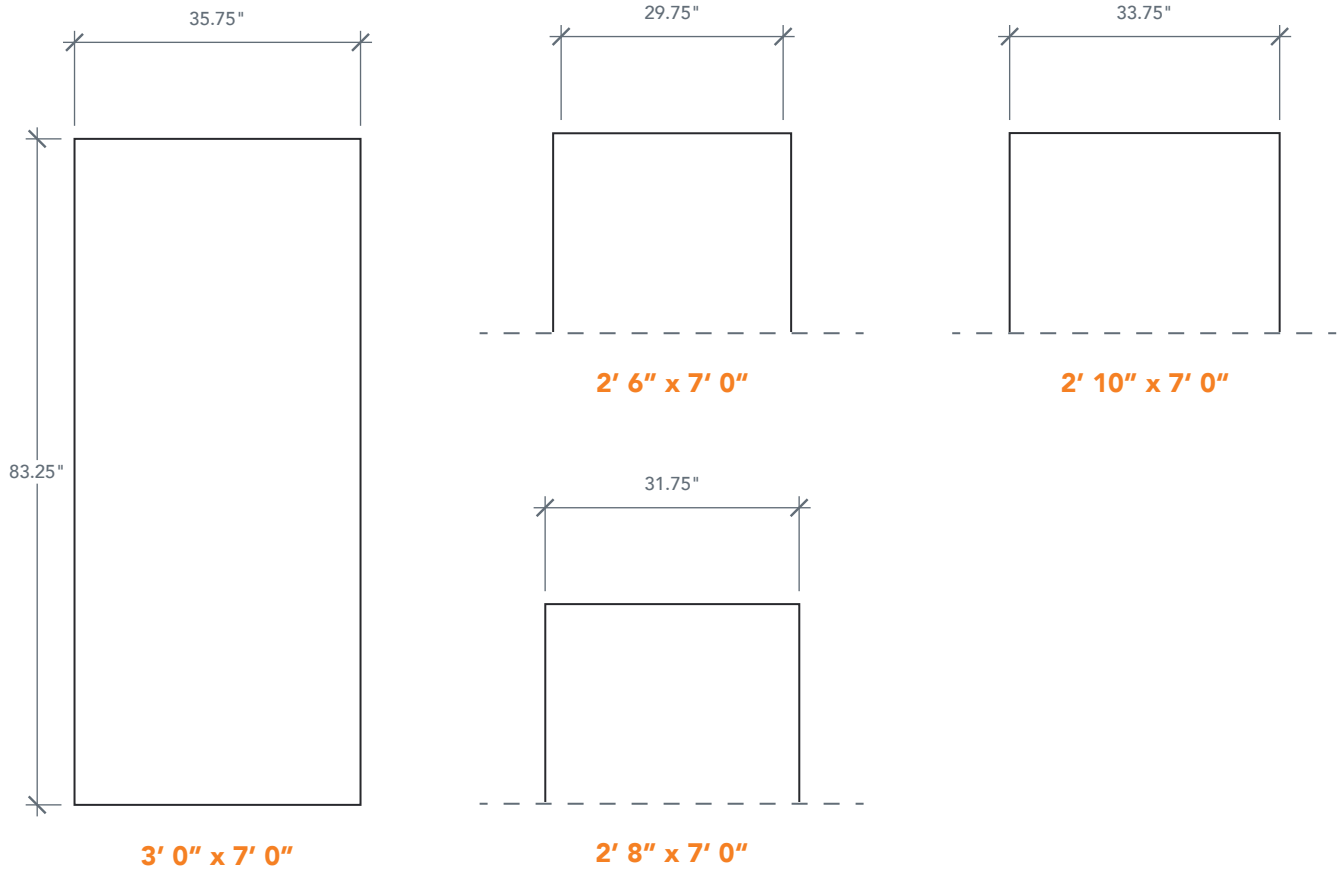
MATCHING SIDELITES

	SLG00
	Available Widths: 1'0" 1'2"
	Spec Page = 103

7'0" DRG0070 FLUSH DOOR

AVAILABLE SIZING

ARTWORK SCALE: 1/2"=1'



NOTE: BY REQUEST, DOOR HEIGHT COMES IN VARYING DIMENSIONS TO A MINIMUM OF 83". EXCESS WILL BE TAKEN FROM BOTTOM RAIL. ALL OTHER DIMENSIONS WILL REMAIN THE SAME.

CUTOUTS & GLASS

	FULL LITE	
	FL5	
	2'6"	Cutout 21" x 65" Glass 20" x 64"
	FL7	
2'8"	Cutout 23" x 65"	
2'10"	Glass 22" x 64"	
3'0"		
A = 7.5"		

A = DISTANCE FROM TOP OF DOOR TO TOP OF OPENING

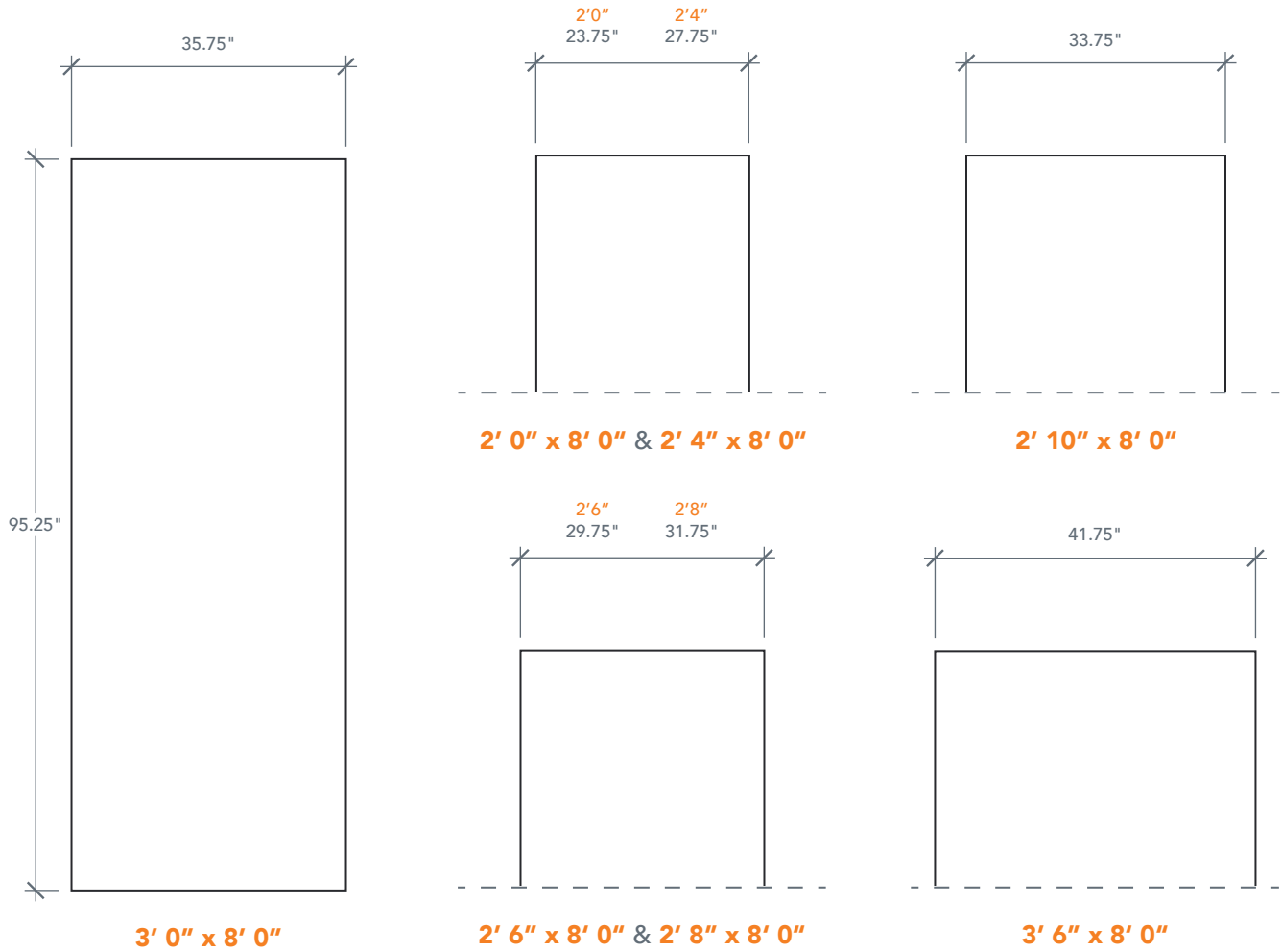
MATCHING SIDELITES

	SLG0070
	Available Widths: 1' 0" 1' 2"
	Spec Page = 104

8'0" DRG0080 FLUSH DOOR

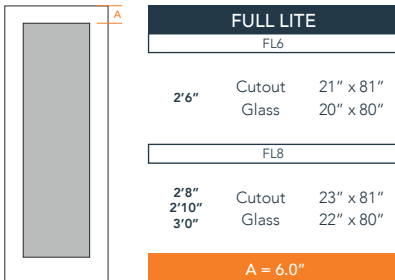
AVAILABLE SIZING

ARTWORK SCALE: 1/2"=1'



NOTE: BY REQUEST, DOOR HEIGHT COMES IN VARYING DIMENSIONS TO A MINIMUM OF 95". EXCESS WILL BE TAKEN FROM BOTTOM RAIL. ALL OTHER DIMENSIONS WILL REMAIN THE SAME.

CUTOUTS & GLASS



A = DISTANCE FROM TOP OF DOOR TO TOP OF OPENING

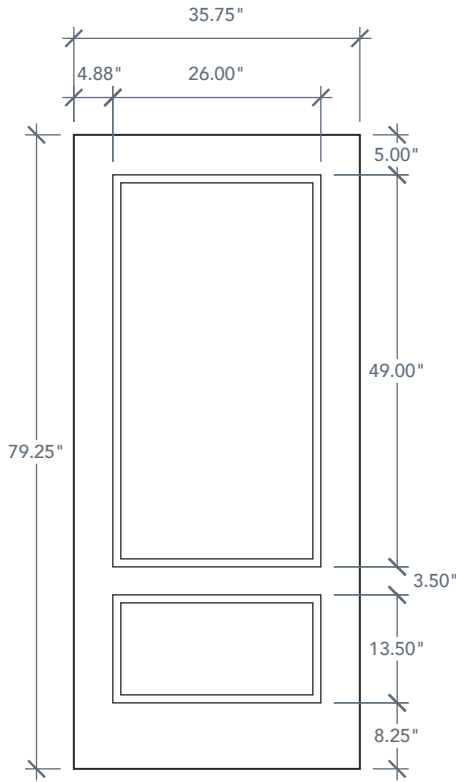
MATCHING SIDELITES



6'8" DRG20 3/4 HERITAGE DOOR

AVAILABLE SIZING

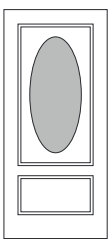
ARTWORK SCALE: 1/2"=1'



3' 0" x 6' 8"

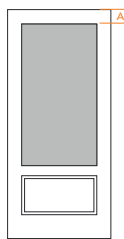
NOTE: BY REQUEST, DOOR HEIGHT COMES IN VARYING DIMENSIONS TO A MINIMUM OF 79". EXCESS WILL BE TAKEN FROM BOTTOM RAIL. ALL OTHER DIMENSIONS WILL REMAIN THE SAME.

CUTOUTS & GLASS



3/4 OVAL LITE
3V2

3'0" Cutout 17.84" x 40.12"
Glass 16.78" x 38.72"



3/4 LITE
343

3'0" Cutout 26" x 49"
Glass 25" x 48"

A = 5.0"

OVAL IS CENTERED IN PANEL HEIGHT

A = DISTANCE FROM TOP OF DOOR TO TOP OF OPENING

MATCHING SIDELITES



SLG3E

Available Widths:

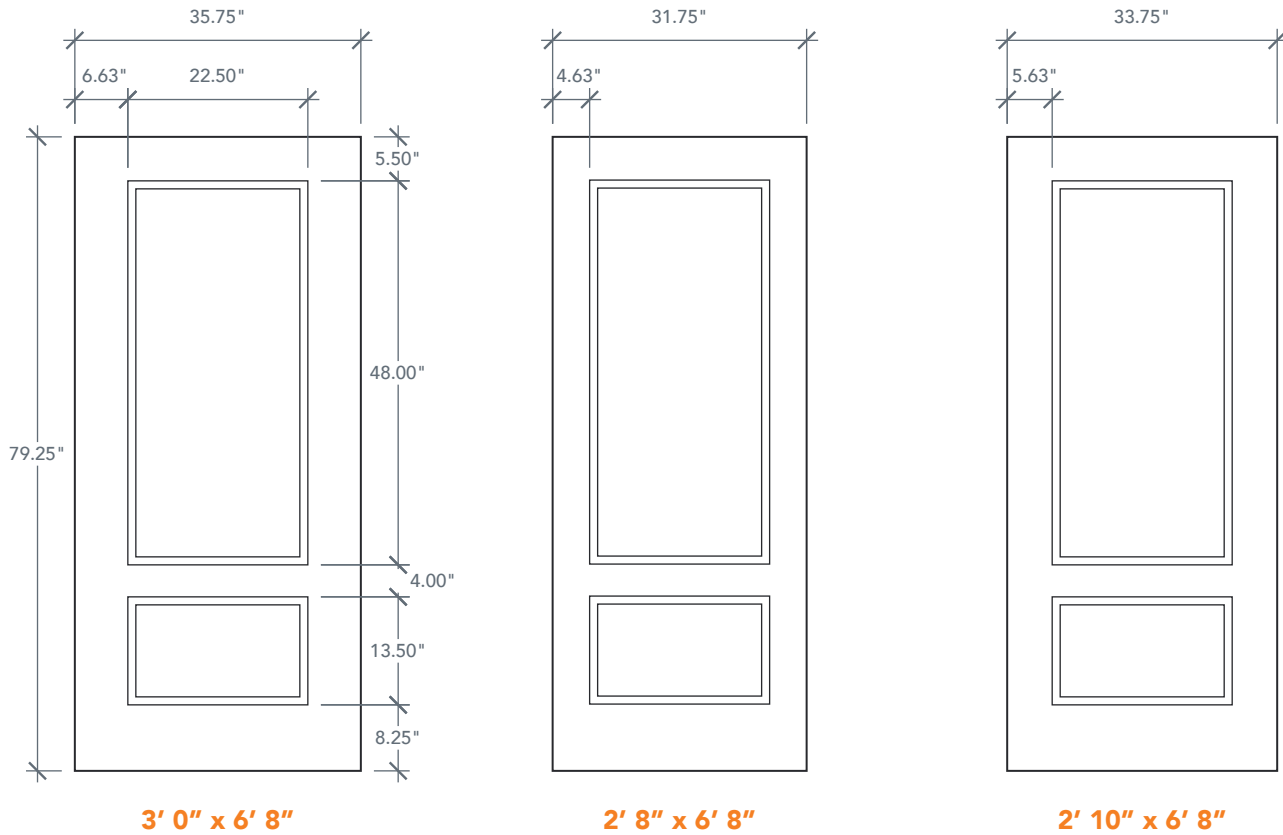
1' 0"
1' 2"

Spec Page = 106

6'8" DRG29 3/4 TWO PANEL DOOR

AVAILABLE SIZING

ARTWORK SCALE: 1/2"=1'



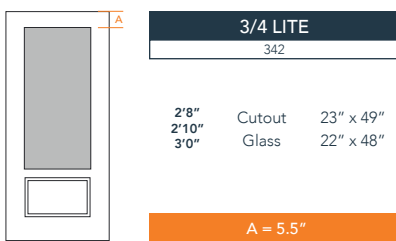
3' 0" x 6' 8"

2' 8" x 6' 8"

2' 10" x 6' 8"

NOTE: BY REQUEST, DOOR HEIGHT COMES IN VARYING DIMENSIONS TO A MINIMUM OF 79". EXCESS WILL BE TAKEN FROM BOTTOM RAIL. ALL OTHER DIMENSIONS WILL REMAIN THE SAME.

CUTOUTS & GLASS

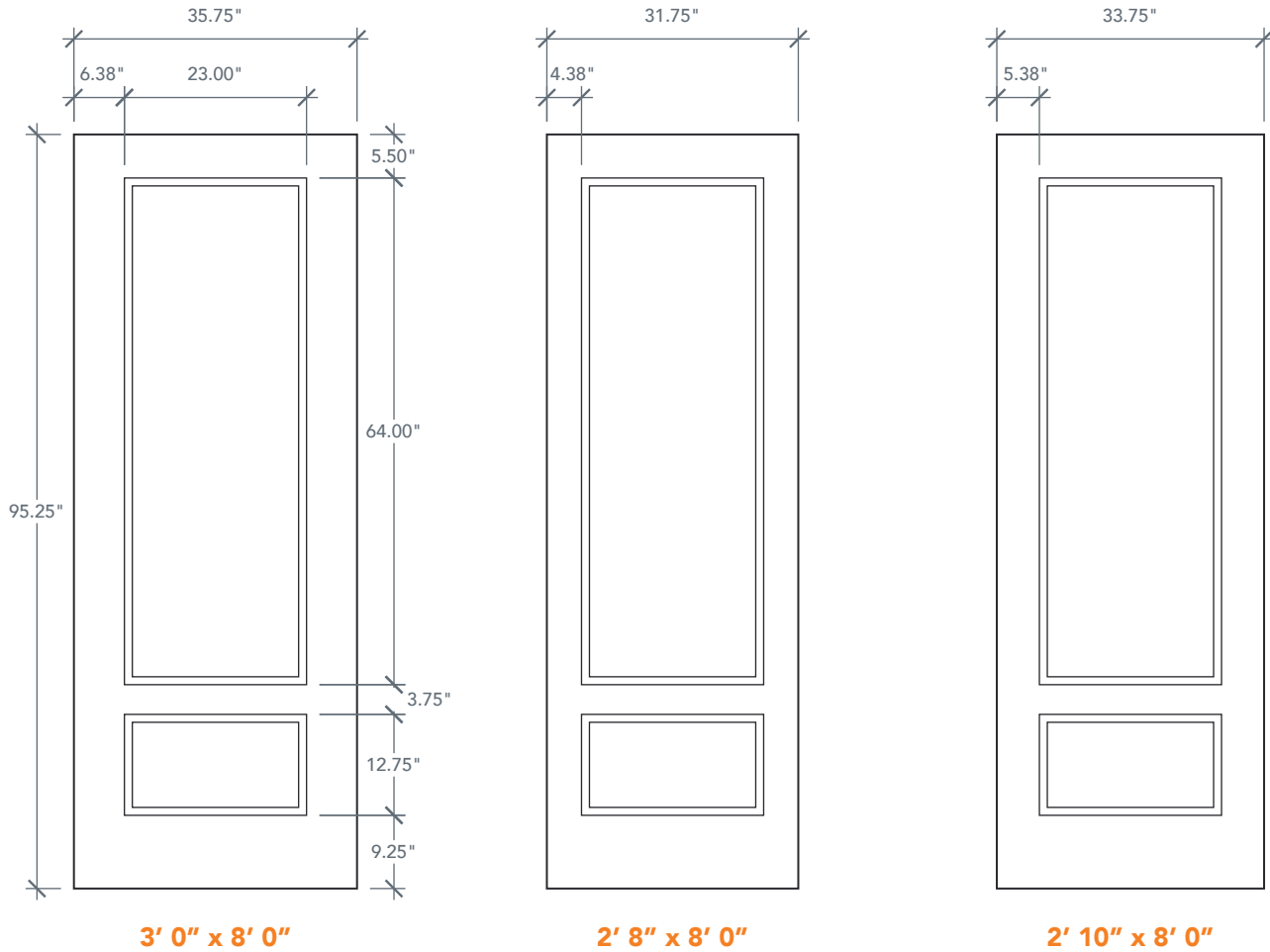


A = DISTANCE FROM TOP OF DOOR TO TOP OF OPENING

8'0" DRG2980 3/4 TWO PANEL DOOR

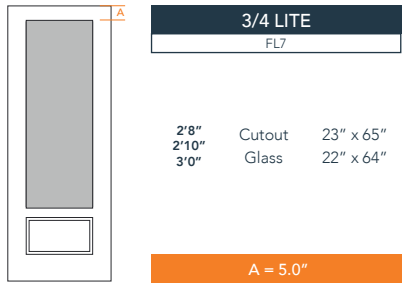
AVAILABLE SIZING

ARTWORK SCALE: 1/2"=1'



NOTE: BY REQUEST, DOOR HEIGHT COMES IN VARYING DIMENSIONS TO A MINIMUM OF 95". EXCESS WILL BE TAKEN FROM BOTTOM RAIL. ALL OTHER DIMENSIONS WILL REMAIN THE SAME.

CUTOUTS & GLASS



A = DISTANCE FROM TOP OF DOOR TO TOP OF OPENING

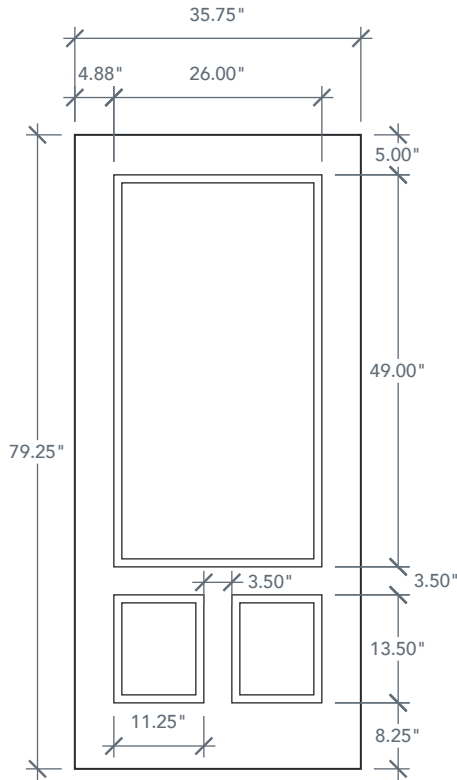
MATCHING SIDELITES



6'8" DRG3E 3/4 ELITE DOOR

AVAILABLE SIZING

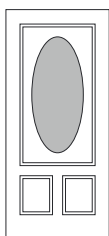
ARTWORK SCALE: 1/2"=1'



3' 0" x 6' 8"

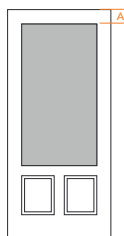
NOTE: BY REQUEST, DOOR HEIGHT COMES IN VARYING DIMENSIONS TO A MINIMUM OF 79". EXCESS WILL BE TAKEN FROM BOTTOM RAIL. ALL OTHER DIMENSIONS WILL REMAIN THE SAME.

CUTOUTS & GLASS



3/4 OVAL LITE
3V2

3'0" Cutout 17.84" x 40.12"
Glass 16.78" x 38.72"



3/4 LITE
343

3'0" Cutout 26" x 49"
Glass 25" x 48"

A = 5.0"

OVAL IS CENTERED IN PANEL HEIGHT

A = DISTANCE FROM TOP OF DOOR TO TOP OF OPENING

MATCHING SIDELITES



SLG3E

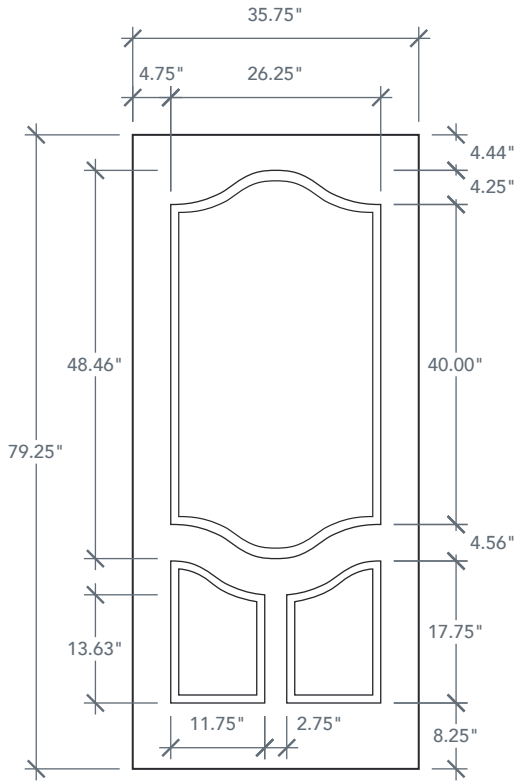
Available Widths:
1' 0"
1' 2"

Spec Page = 106

6'8" DRG3P 3/4 PREMIUM DOOR

AVAILABLE SIZING

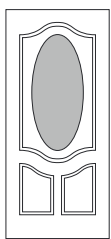
ARTWORK SCALE: 1/2"=1'



3' 0" x 6' 8"

NOTE: BY REQUEST, DOOR HEIGHT COMES IN VARYING DIMENSIONS TO A MINIMUM OF 79". EXCESS WILL BE TAKEN FROM BOTTOM RAIL. ALL OTHER DIMENSIONS WILL REMAIN THE SAME.

CUTOUTS & GLASS



3/4 OVAL LITE
3V2

3'0" Cutout 17.84" x 40.12"
Glass 16.78" x 38.72"

OVAL IS CENTERED IN PANEL HEIGHT

MATCHING SIDELITES



SLG3P

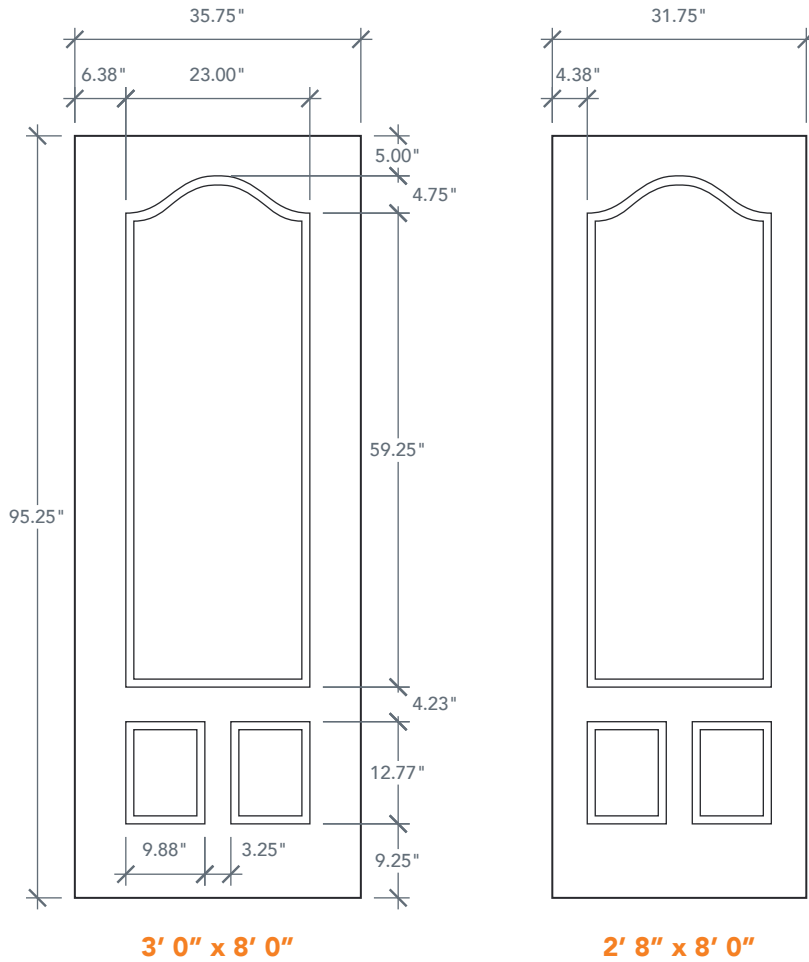
Available Widths:
1' 0"
1' 2"

Spec Page = 107

8'0" DRG3080 3/4 THREE PANEL DOOR

AVAILABLE SIZING

ARTWORK SCALE: 1/2"=1'



3' 0" x 8' 0"

2' 8" x 8' 0"

NOTE: BY REQUEST, DOOR HEIGHT COMES IN VARYING DIMENSIONS TO A MINIMUM OF 95". EXCESS WILL BE TAKEN FROM BOTTOM RAIL. ALL OTHER DIMENSIONS WILL REMAIN THE SAME.

CUTOUTS & GLASS

Option	3/4 OVAL LITE 3V3	3/4 LITE FL7	FULL LITE FL8
2'8" 3'0"	2'8" 3'0"	2'8" 3'0"	2'8" 3'0"
Cutout Glass	Cutout Glass	Cutout Glass	Cutout Glass
14 3/5" x 54 3/5" 13" x 53"	23" x 65" 22" x 64"	23" x 81" 22" x 80"	
A = 9.75"	A = 5.0"	A = 5.0"	

A = DISTANCE FROM TOP OF DOOR TO TOP OF OPENING

MATCHING SIDELITES

SLG3080

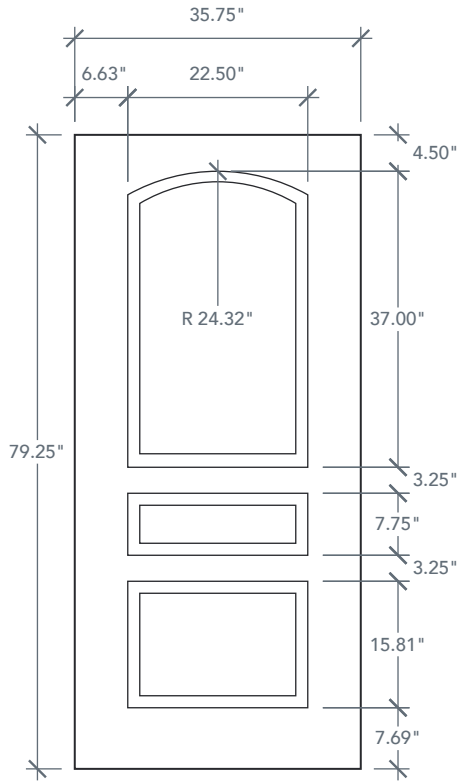
Available Widths:
1' 0"
1' 2"

Spec Page = 108

6'8" DRG31 THREE PANEL DOOR

AVAILABLE SIZING

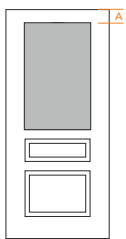
ARTWORK SCALE: 1/2"=1'



3' 0" x 6' 8"

NOTE: BY REQUEST, DOOR HEIGHT COMES IN VARYING DIMENSIONS TO A MINIMUM OF 79". EXCESS WILL BE TAKEN FROM BOTTOM RAIL. ALL OTHER DIMENSIONS WILL REMAIN THE SAME.

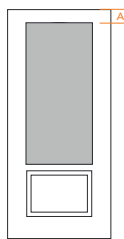
CUTOUTS & GLASS



HALF LITE
HL4

3'0" Cutout 23" x 37"
Glass 22" x 36"

A = 4.5"



3/4 LITE
342

3'0" Cutout 23" x 49"
Glass 22" x 48"

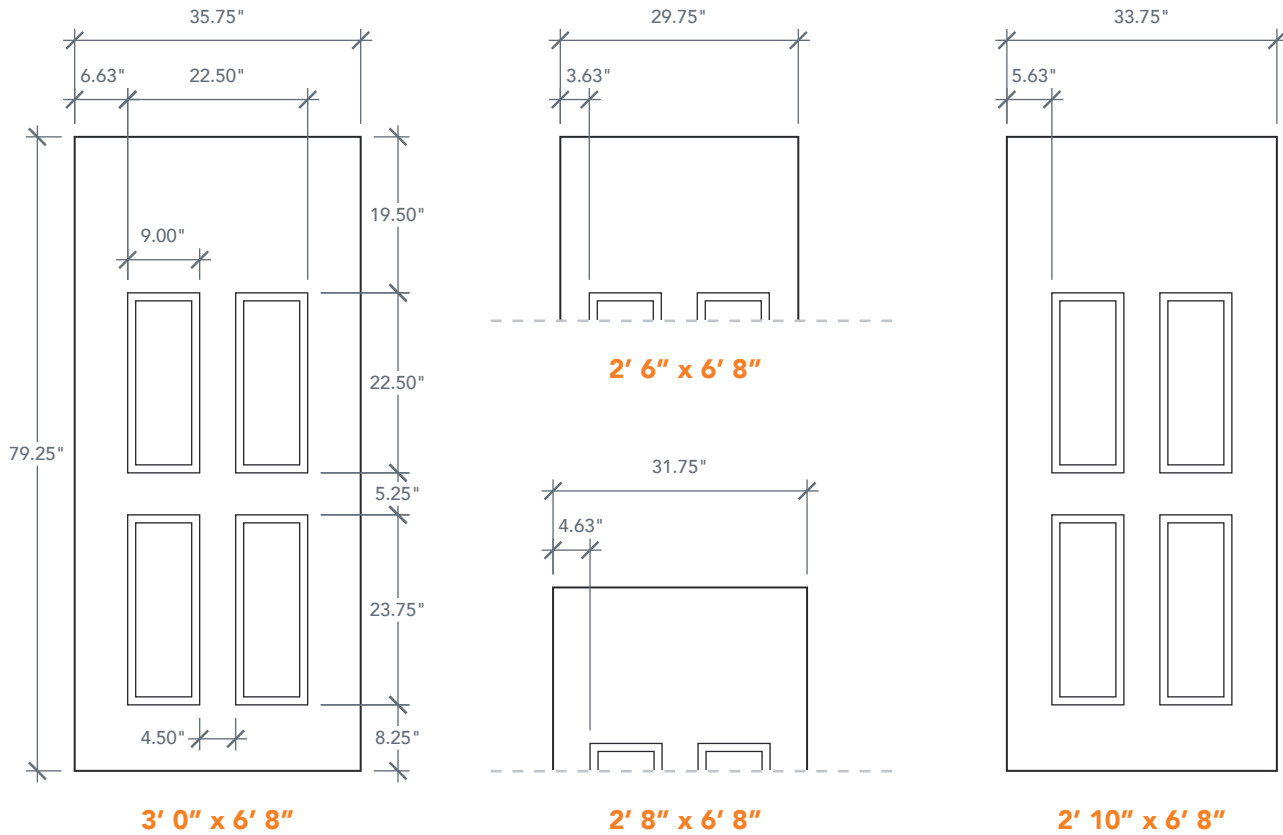
A = 4.5"

A = DISTANCE FROM TOP OF DOOR TO TOP OF OPENING

6'8" DRG40 FOUR PANEL BLANK TOP DOOR

AVAILABLE SIZING

ARTWORK SCALE: 1/2"=1'



NOTE: BY REQUEST, DOOR HEIGHT COMES IN VARYING DIMENSIONS TO A MINIMUM OF 79". EXCESS WILL BE TAKEN FROM BOTTOM RAIL. ALL OTHER DIMENSIONS WILL REMAIN THE SAME.

CUTOUTS & GLASS

Diagram	Option	Code	Height	Cutout	Glass	Dimensions
	HALF ROUND LITE	HR1	2'6", 2'8", 2'10", 3'0"	23" x 11"	22" x 10"	A = 4.0"
	HALF LITE	HL4	2'8", 2'10", 3'0"	23" x 37"	22" x 36"	A = 5.0"
	FULL LITE	FL7	2'8", 2'10", 3'0"	23" x 65"	22" x 64"	A = 6.0"

A = DISTANCE FROM TOP OF DOOR TO TOP OF OPENING

MATCHING SIDELITES

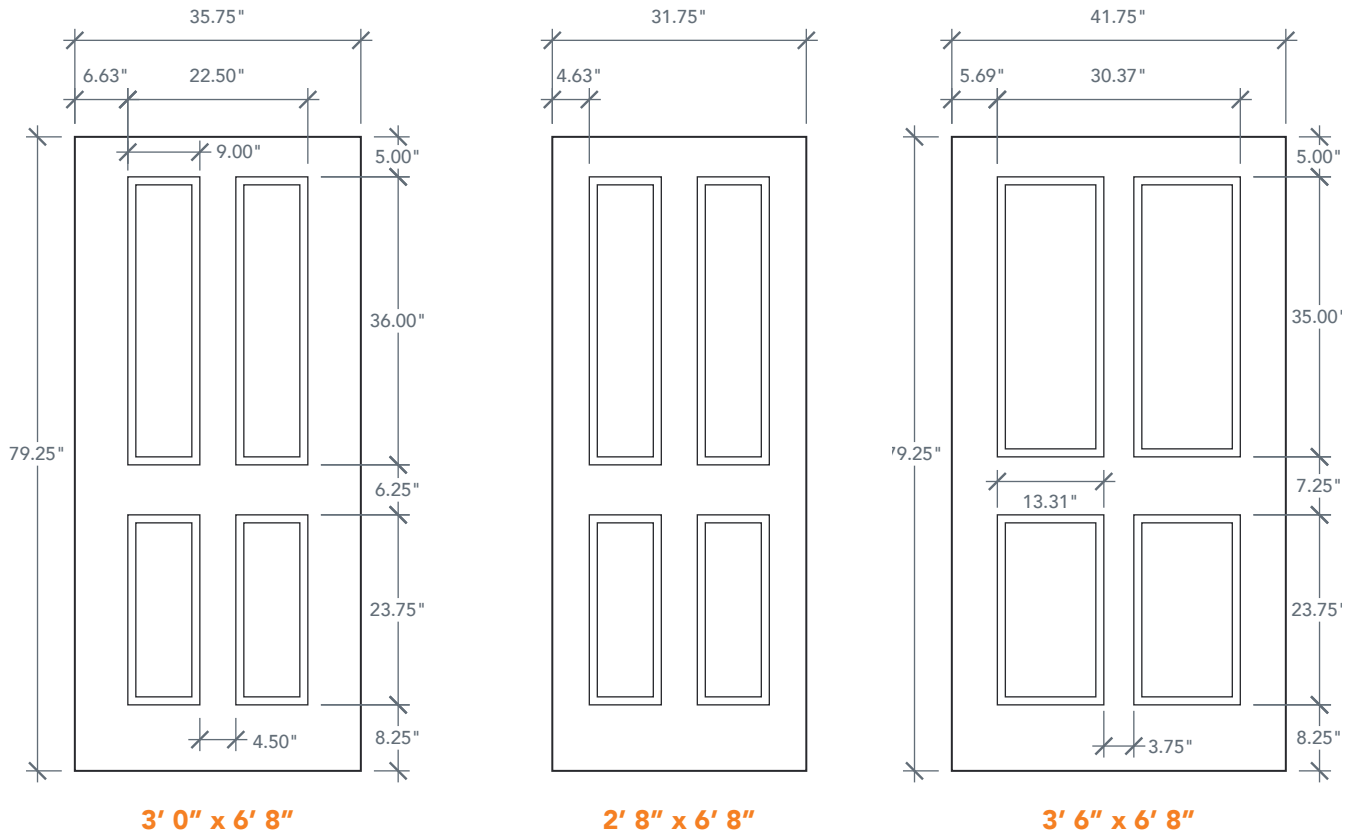
SLG60
 Available Widths:
 1' 0"
 1' 2"

Spec Page = 111

6'8" DRG41 TRUE FOUR PANEL DOOR

AVAILABLE SIZING

ARTWORK SCALE: 1/2"=1'



NOTE: BY REQUEST, DOOR HEIGHT COMES IN VARYING DIMENSIONS TO A MINIMUM OF 79". EXCESS WILL BE TAKEN FROM BOTTOM RAIL. ALL OTHER DIMENSIONS WILL REMAIN THE SAME.

CUTOUTS & GLASS

TWIN LITE
HL2

2'6"	Cutout	9" x 37"
2'8"		
2'10"	Glass	8" x 36"
3'0"		

A = 5.0"

HALF LITE
HL4

2'8"	Cutout	23" x 37"
2'10"		
3'0"	Glass	22" x 36"

A = 5.0"

A = DISTANCE FROM TOP OF DOOR TO TOP OF OPENING

MATCHING SIDELITES

SLG60

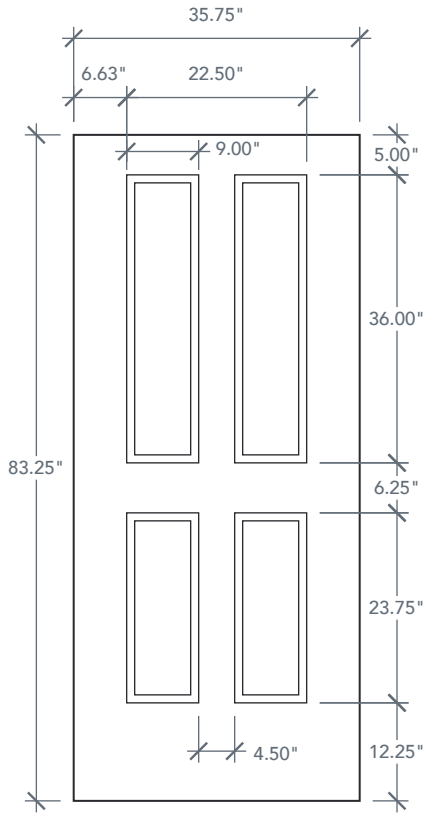
Available Widths:
1' 0"
1' 2"
Note: does not match with 3'6" x 6'8"

Spec Page = 111

7'0" DRG4170 TRUE FOUR PANEL DOOR

AVAILABLE SIZING

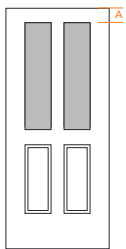
ARTWORK SCALE: 1/2"=1'



3' 0" x 7' 0"

NOTE: BY REQUEST, DOOR HEIGHT COMES IN VARYING DIMENSIONS TO A MINIMUM OF 83". EXCESS WILL BE TAKEN FROM BOTTOM RAIL. ALL OTHER DIMENSIONS WILL REMAIN THE SAME.

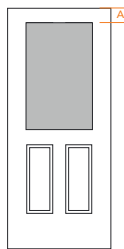
CUTOUTS & GLASS



TWIN LITE
HL2

3'0" Cutout 9" x 37"
Glass 8" x 36"

A = 5.0"



HALF LITE
HL4

3'0" Cutout 23" x 37"
Glass 22" x 36"

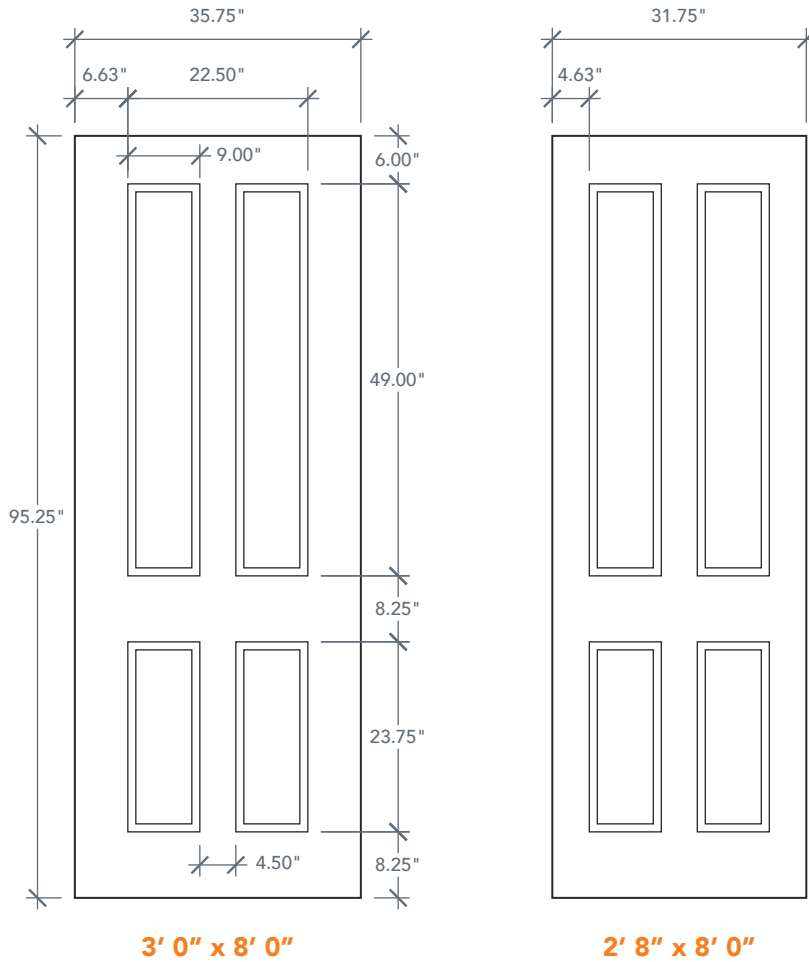
A = 5.0"

A = DISTANCE FROM TOP OF DOOR TO TOP OF OPENING

8'0" DRG4180 TRUE FOUR PANEL DOOR

AVAILABLE SIZING

ARTWORK SCALE: 1/2"=1'



3' 0" x 8' 0"

2' 8" x 8' 0"

NOTE: BY REQUEST, DOOR HEIGHT COMES IN VARYING DIMENSIONS TO A MINIMUM OF 95". EXCESS WILL BE TAKEN FROM BOTTOM RAIL. ALL OTHER DIMENSIONS WILL REMAIN THE SAME.

CUTOUTS & GLASS

Diagram	Configuration	Code	Height	Cutout Glass	Dimensions	A
	TWIN LITE	341	2'8" / 3'0"	Cutout Glass	9" x 49" 8" x 48"	A = 6.0"
	HALF LITE	342	2'8" / 3'0"	Cutout Glass	23" x 49" 22" x 48"	A = 6.0"
	FULL LITE	FL8	2'8" / 3'0"	Cutout Glass	23" x 81" 22" x 80"	A = 6.0"

A = DISTANCE FROM TOP OF DOOR TO TOP OF OPENING

MATCHING SIDELITES

SLG4180

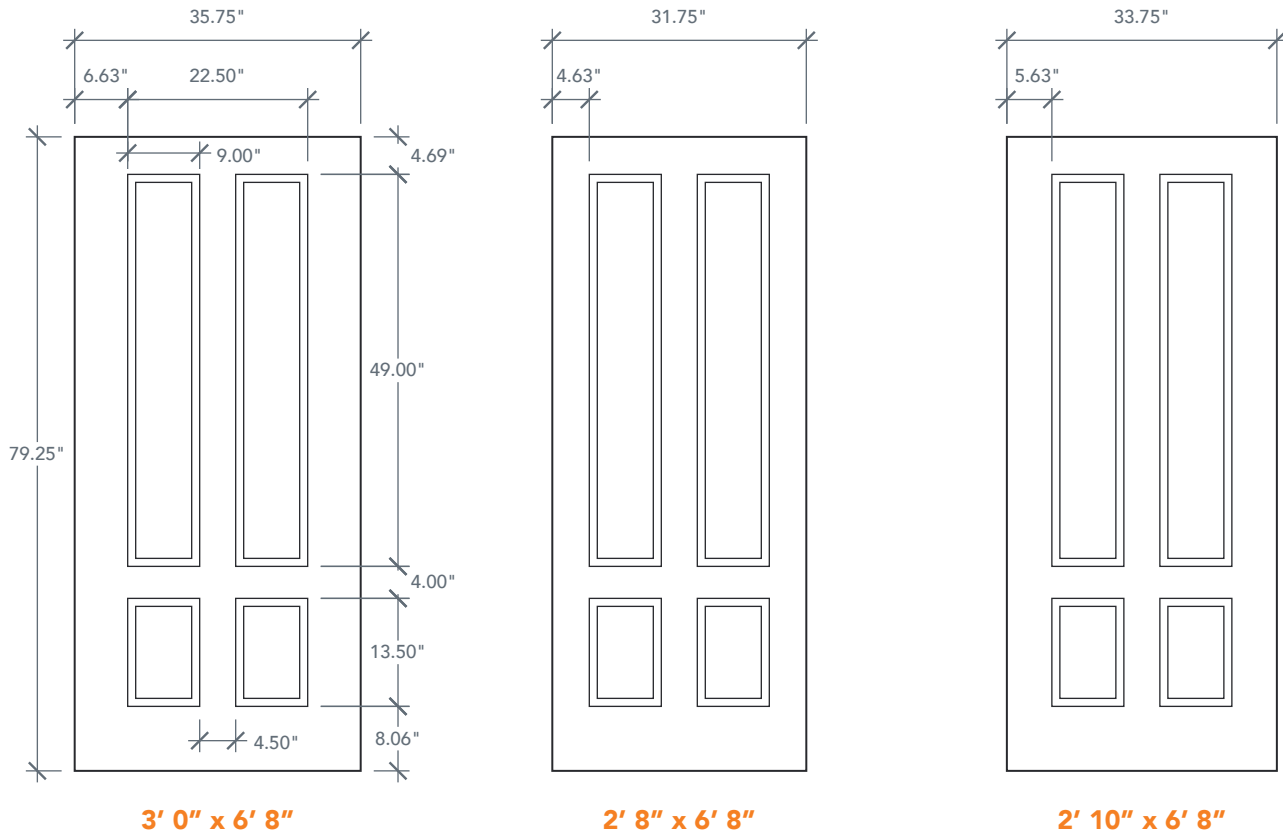
Available Widths:
1' 0"
1' 2"

Spec Page = 109

6'8" DRG49 3/4 FOUR PANEL DOOR

AVAILABLE SIZING

ARTWORK SCALE: 1/2"=1'



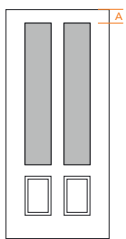
3' 0" x 6' 8"

2' 8" x 6' 8"

2' 10" x 6' 8"

NOTE: BY REQUEST, DOOR HEIGHT COMES IN VARYING DIMENSIONS TO A MINIMUM OF 79". EXCESS WILL BE TAKEN FROM BOTTOM RAIL. ALL OTHER DIMENSIONS WILL REMAIN THE SAME.

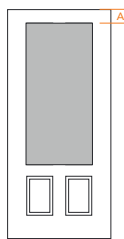
CUTOUTS & GLASS



TWIN LITE
341

2'8" Cutout 9" x 49"
2'10" Glass 8" x 48"
3'0"

A = 4.69"



3/4 LITE
342

2'8" Cutout 23" x 49"
2'10" Glass 22" x 48"
3'0"

A = 4.69"

A = DISTANCE FROM TOP OF DOOR TO TOP OF OPENING

MATCHING SIDELITES



SLG49

Available Widths:

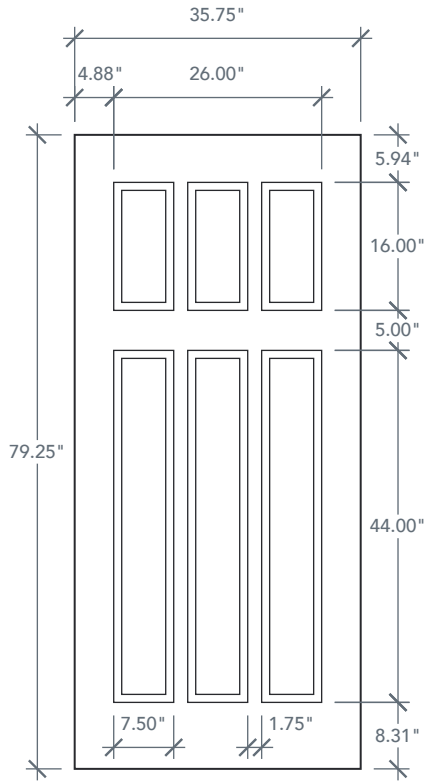
- 1' 0"
- 1' 2"

Spec Page = 110

6'8" DRG6C SIX PANEL CRAFTSMAN DOOR

AVAILABLE SIZING

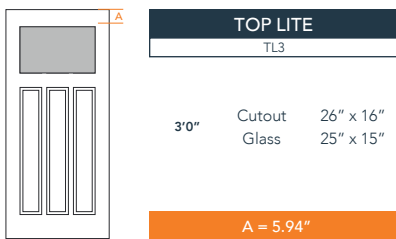
ARTWORK SCALE: 1/2"=1'



3' 0" x 6' 8"

NOTE: BY REQUEST, DOOR HEIGHT COMES IN VARYING DIMENSIONS TO A MINIMUM OF 79". EXCESS WILL BE TAKEN FROM BOTTOM RAIL. ALL OTHER DIMENSIONS WILL REMAIN THE SAME.

CUTOUTS & GLASS

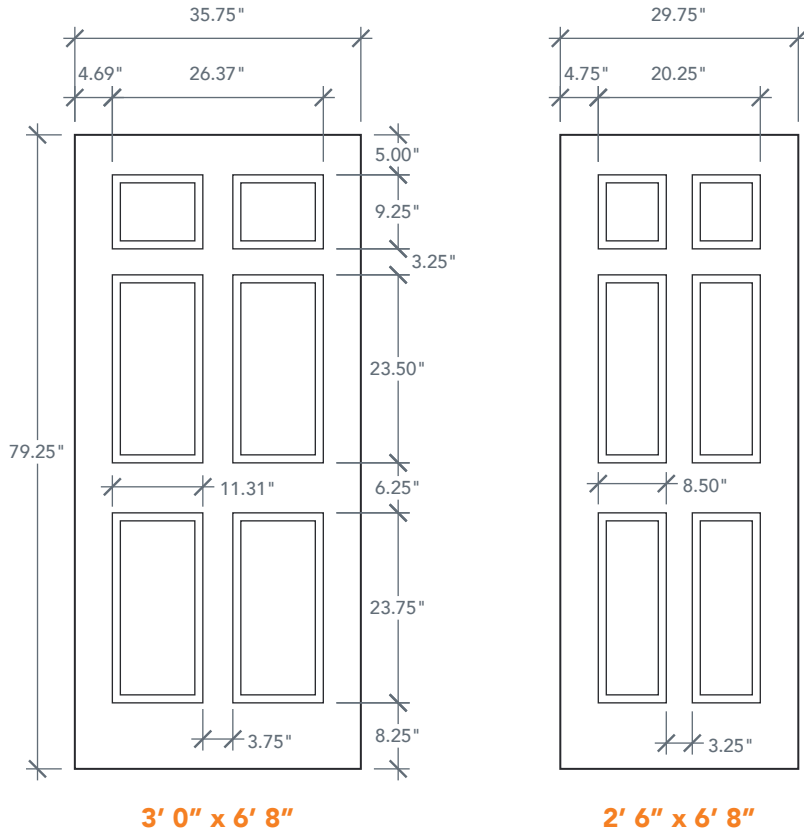


A = DISTANCE FROM TOP OF DOOR TO TOP OF OPENING

6'8" DRG60 SIX PANEL DOOR

AVAILABLE SIZING

ARTWORK SCALE: 1/2"=1'



3' 0" x 6' 8"

2' 6" x 6' 8"

NOTE: BY REQUEST, DOOR HEIGHT COMES IN VARYING DIMENSIONS TO A MINIMUM OF 79". EXCESS WILL BE TAKEN FROM BOTTOM RAIL. ALL OTHER DIMENSIONS WILL REMAIN THE SAME.

CUTOUTS & GLASS

TOP LITE	
TL5	
2'6"	Cutout 21" x 9 1/4" Glass 20" x 8 1/4"
TL1	
3'0"	Cutout 26 1/2" x 9 1/4" Glass 25 1/2" x 8 1/4"
A = 5.0"	

A = DISTANCE FROM TOP OF DOOR TO TOP OF OPENING

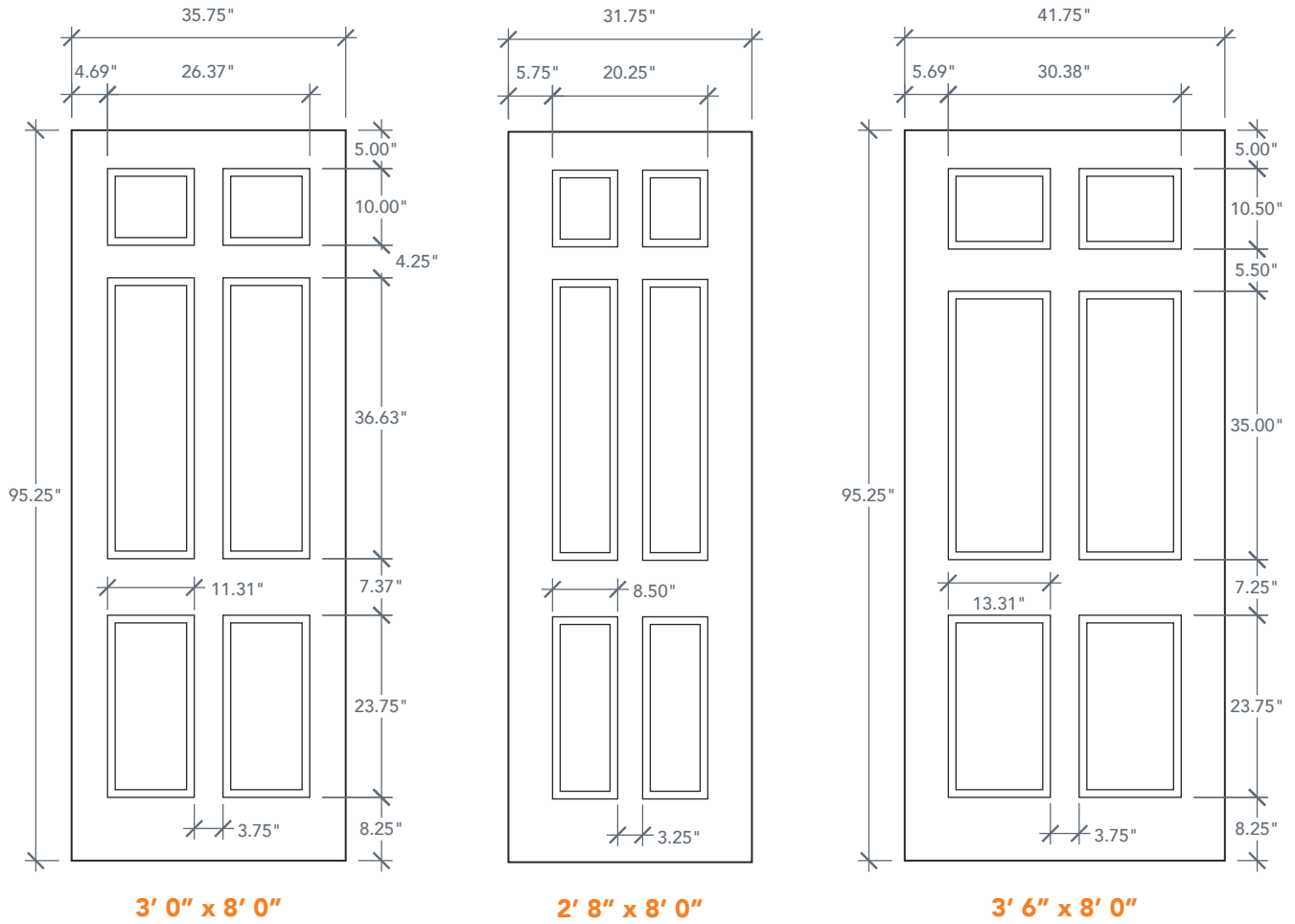
MATCHING SIDELITES

	SLG60
	Available Widths: 1' 0" 1' 2"
	Spec Page = 111

8'0" DRG6080 SIX PANEL DOOR

AVAILABLE SIZING

ARTWORK SCALE: 1/2"=1'



NOTE: BY REQUEST, DOOR HEIGHT COMES IN VARYING DIMENSIONS TO A MINIMUM OF 95". EXCESS WILL BE TAKEN FROM BOTTOM RAIL. ALL OTHER DIMENSIONS WILL REMAIN THE SAME.

CUTOUTS & GLASS

HALF LITE	
HL6	
3'0"	Cutout 26 1/2" x 51" Glass 25 1/2" x 50"
346	
3'6"	Cutout 30 3/8" x 51 1/4" Glass 29 3/8" x 50 1/4"
A = 5.0"	

A = DISTANCE FROM TOP OF DOOR TO TOP OF OPENING

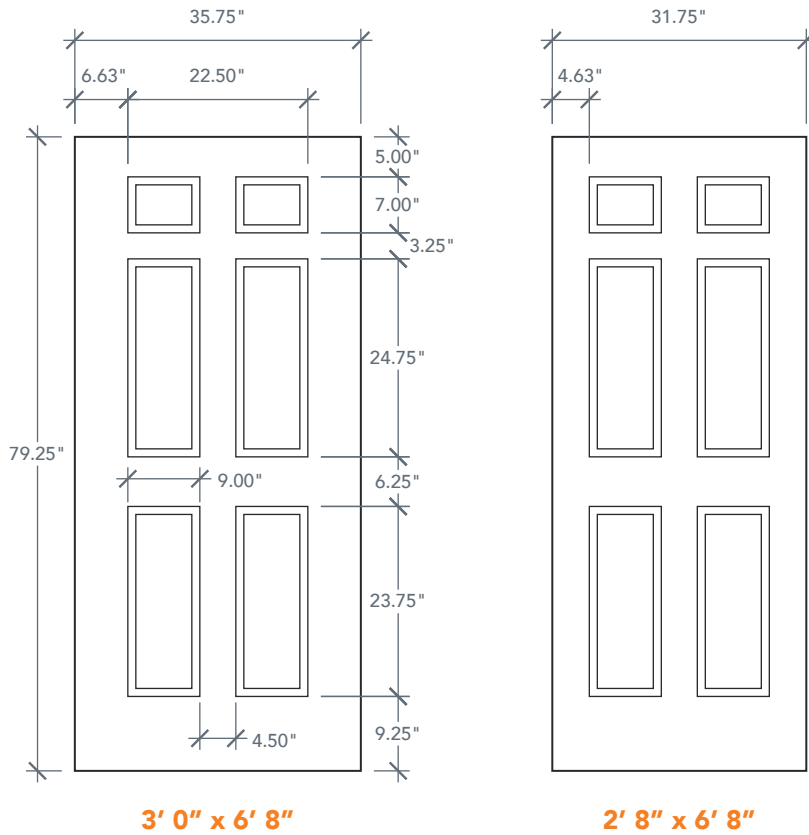
MATCHING SIDELITES

	SLG4180
	Available Widths: 1' 0" 1' 2"
	Spec Page = 109

6'8" DRG61 SIX PANEL UTILITY DOOR

AVAILABLE SIZING

ARTWORK SCALE: 1/2"=1'

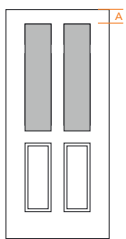


3' 0" x 6' 8"

2' 8" x 6' 8"

NOTE: BY REQUEST, DOOR HEIGHT COMES IN VARYING DIMENSIONS TO A MINIMUM OF 79". EXCESS WILL BE TAKEN FROM BOTTOM RAIL. ALL OTHER DIMENSIONS WILL REMAIN THE SAME.

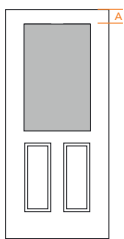
CUTOUTS & GLASS



TWIN LITE
HL2

2'8" Cutout 9" x 37"
3'0" Glass 8" x 36"

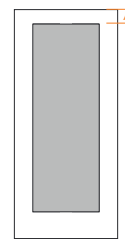
A = 5.0"



HALF LITE
HL4

2'8" Cutout 23" x 37"
3'0" Glass 22" x 36"

A = 5.0"



FULL LITE
FL7

2'8" Cutout 23" x 65"
3'0" Glass 22" x 64"

A = 5.0"

A = DISTANCE FROM TOP OF DOOR TO TOP OF OPENING

MATCHING SIDELITES



SLG61

Available Widths:

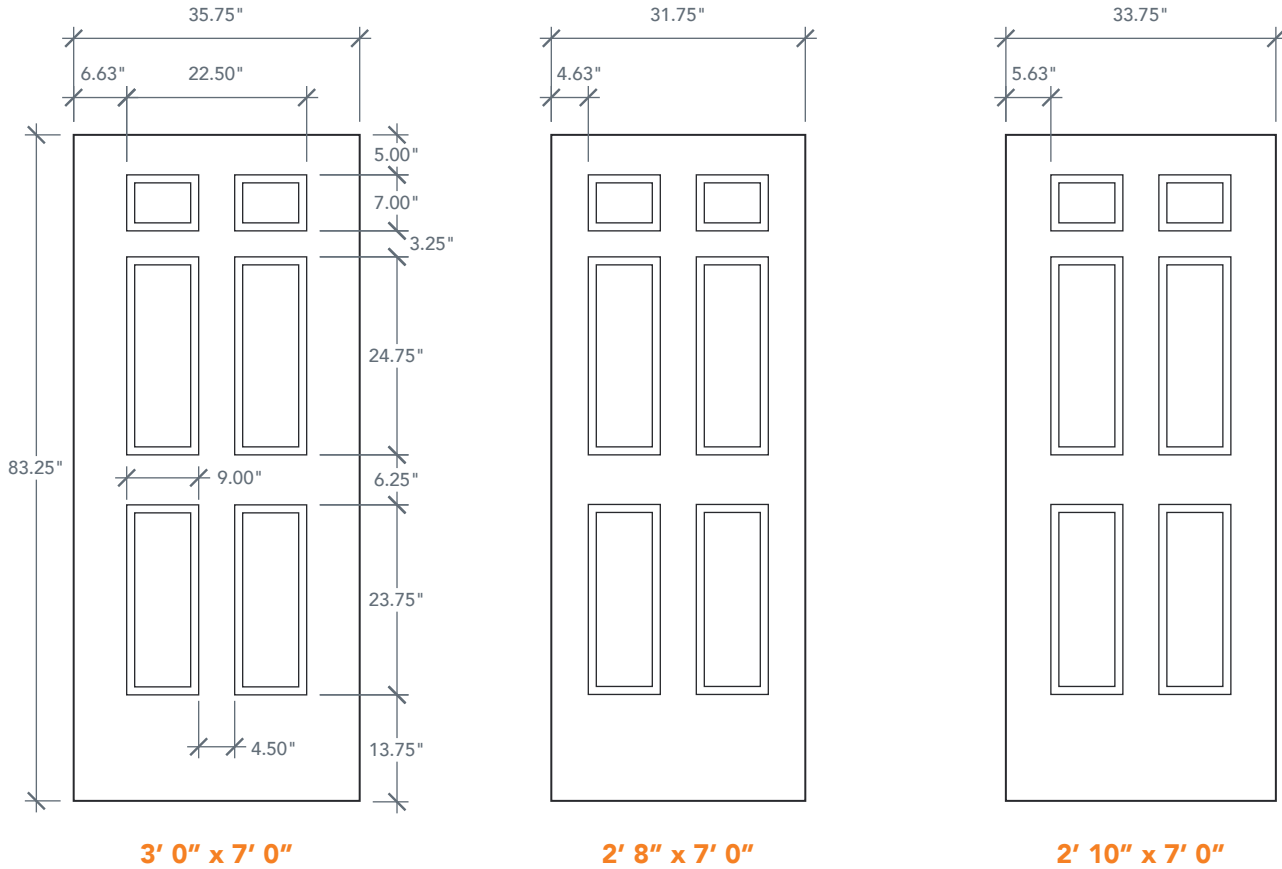
- 1' 0"
- 1' 2"

Spec Page = 112

7'0" DRG6170 SIX PANEL UTILITY DOOR

AVAILABLE SIZING

ARTWORK SCALE: 1/2"=1'



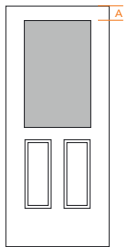
3' 0" x 7' 0"

2' 8" x 7' 0"

2' 10" x 7' 0"

NOTE: BY REQUEST, DOOR HEIGHT COMES IN VARYING DIMENSIONS TO A MINIMUM OF 83". EXCESS WILL BE TAKEN FROM BOTTOM RAIL. ALL OTHER DIMENSIONS WILL REMAIN THE SAME.

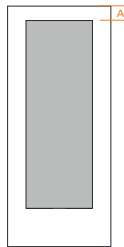
CUTOUTS & GLASS



HALF LITE
HL4

2'8" Cutout 23" x 37"
2'10" Glass 22" x 36"
3'0"

A = 5.0"



FULL LITE
FL7

2'8" Cutout 23" x 65"
2'10" Glass 22" x 64"
3'0"

A = 5.0"

A = DISTANCE FROM TOP OF DOOR TO TOP OF OPENING

MATCHING SIDELITES



SL6170

Available Widths:

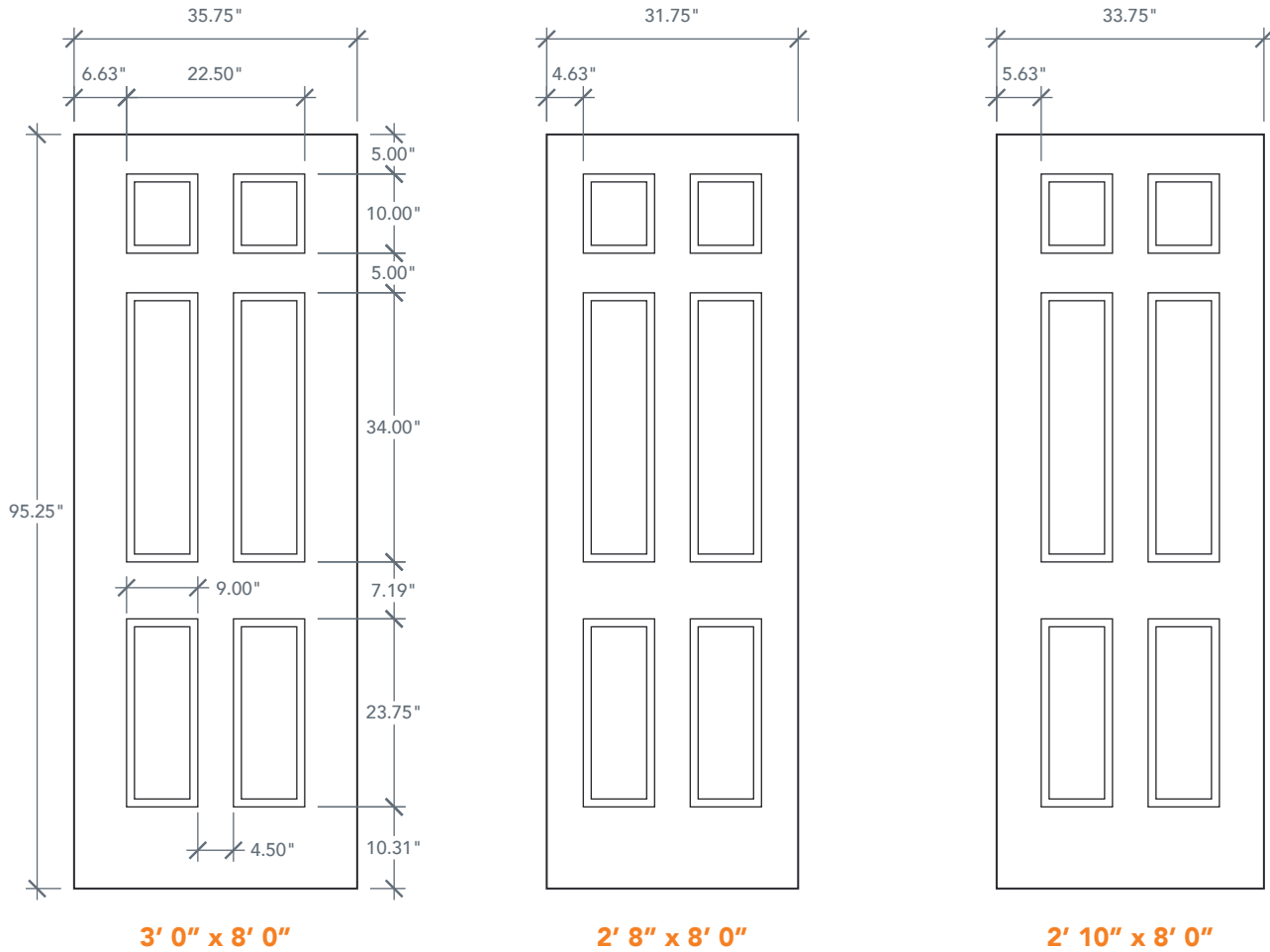
1' 0"
1' 2"

Spec Page = 113

8'0" DRG6180 SIX PANEL UTILITY DOOR

AVAILABLE SIZING

ARTWORK SCALE: 1/2"=1'



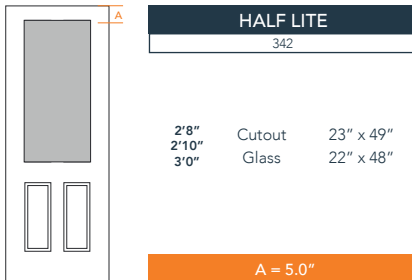
3' 0" x 8' 0"

2' 8" x 8' 0"

2' 10" x 8' 0"

NOTE: BY REQUEST, DOOR HEIGHT COMES IN VARYING DIMENSIONS TO A MINIMUM OF 95". EXCESS WILL BE TAKEN FROM BOTTOM RAIL. ALL OTHER DIMENSIONS WILL REMAIN THE SAME.

CUTOUTS & GLASS

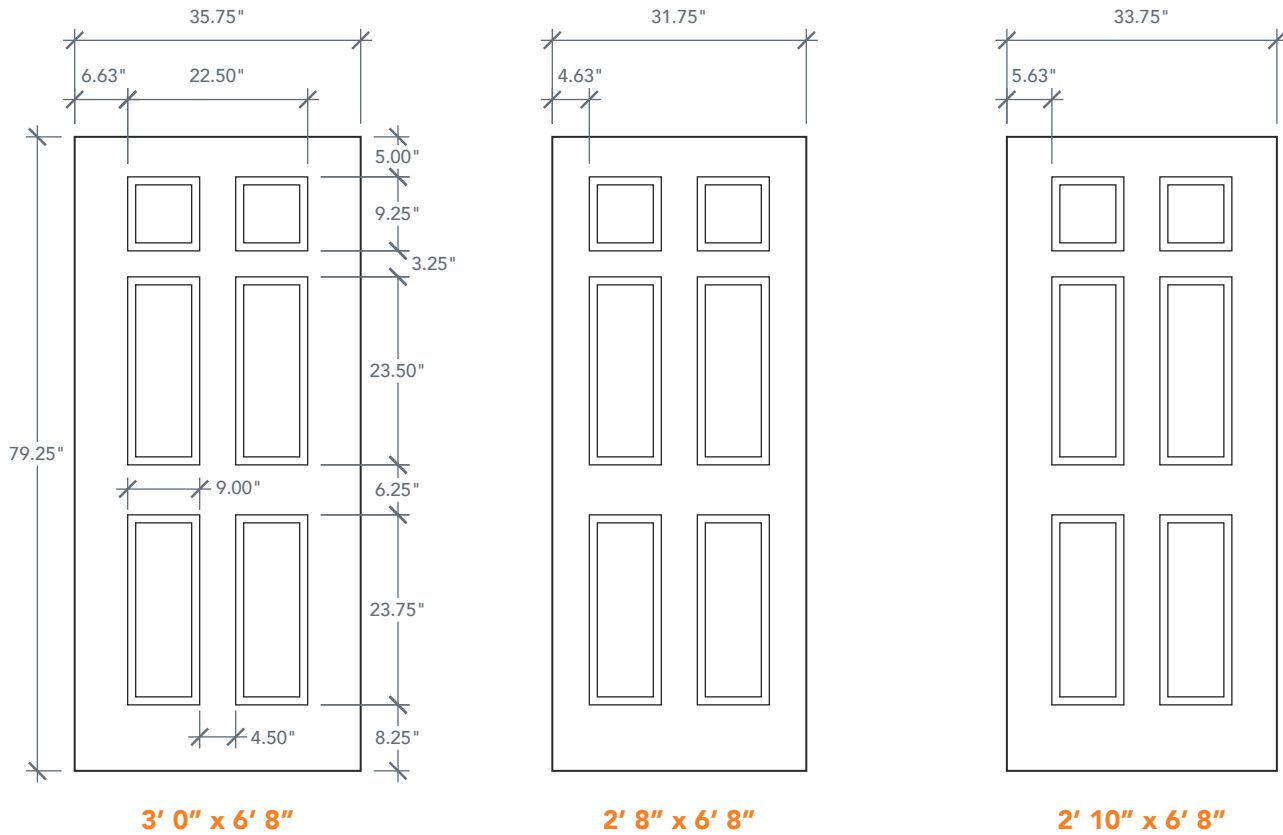


A = DISTANCE FROM TOP OF DOOR TO TOP OF OPENING

6'8" DRG63 TRUE SIX PANEL NARROW DOOR

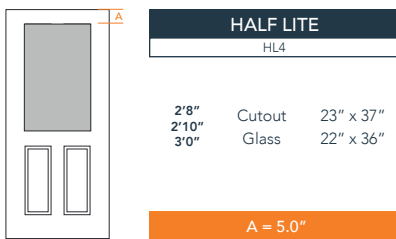
AVAILABLE SIZING

ARTWORK SCALE: 1/2"=1'



NOTE: BY REQUEST, DOOR HEIGHT COMES IN VARYING DIMENSIONS TO A MINIMUM OF 79". EXCESS WILL BE TAKEN FROM BOTTOM RAIL. ALL OTHER DIMENSIONS WILL REMAIN THE SAME.

CUTOUTS & GLASS



A = DISTANCE FROM TOP OF DOOR TO TOP OF OPENING

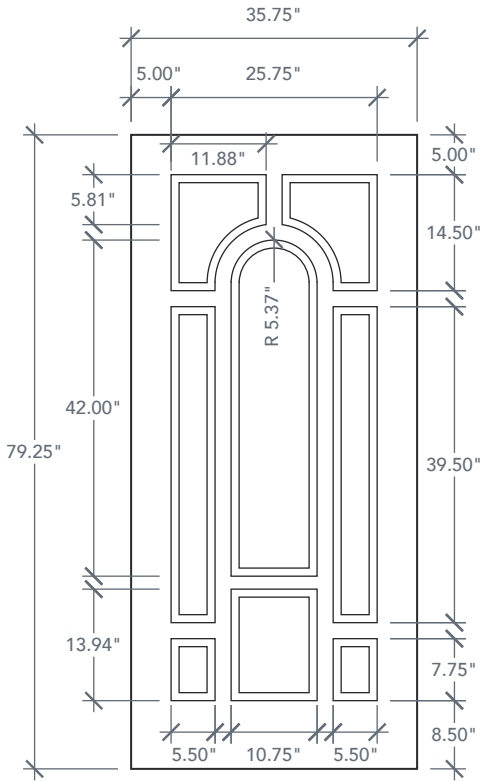
MATCHING SIDELITES



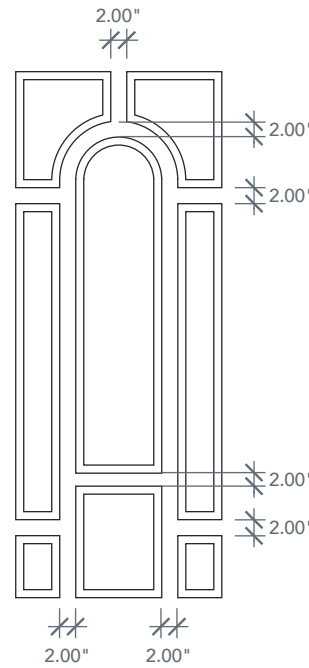
6'8" DRG80 EIGHT PANEL CENTER ARCH DOOR

AVAILABLE SIZING

ARTWORK SCALE: 1/2"=1'



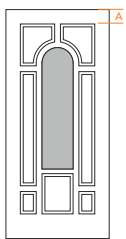
3' 0" x 6' 8"



Panel Spacing Detail

NOTE: BY REQUEST, DOOR HEIGHT COMES IN VARYING DIMENSIONS TO A MINIMUM OF 79". EXCESS WILL BE TAKEN FROM BOTTOM RAIL. ALL OTHER DIMENSIONS WILL REMAIN THE SAME.

CUTOUTS & GLASS



CENTER ARCH LITE
8C2

3'0" Cutout 10 3/4" x 42"
Glass 9 3/4" x 41"

A = 12.81"

A = DISTANCE FROM TOP OF DOOR TO TOP OF OPENING

MATCHING SIDELITES



SLG80

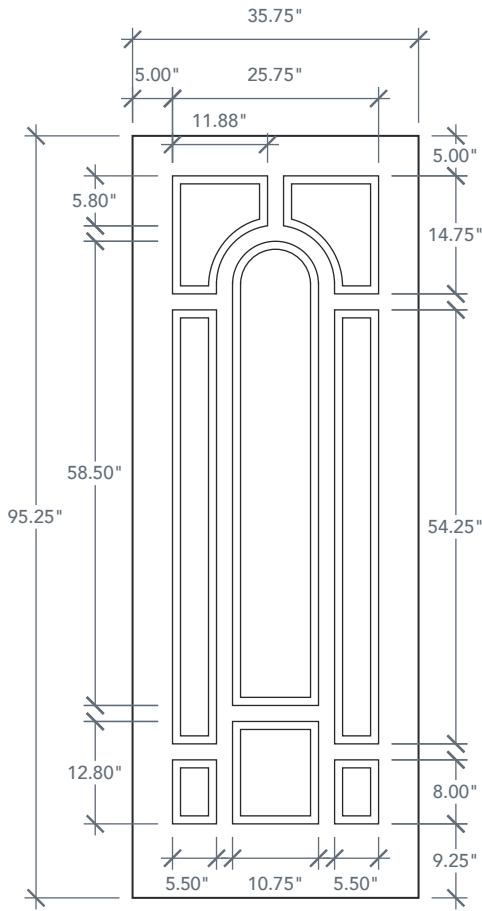
Available Widths:
1' 0"
1' 2"

Spec Page = 114

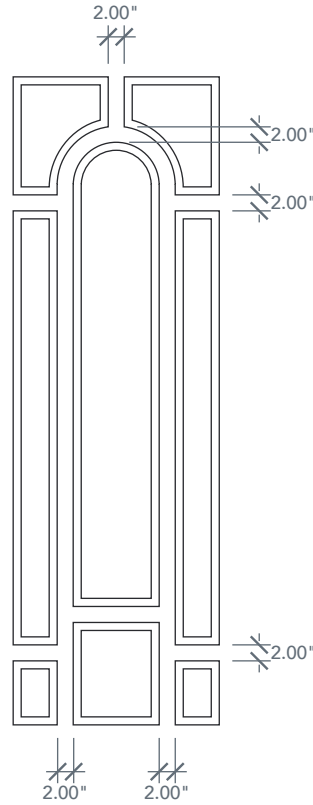
8'0" DRG8080 EIGHT PANEL CENTER ARCH DOOR

AVAILABLE SIZING

ARTWORK SCALE: 1/2"=1'



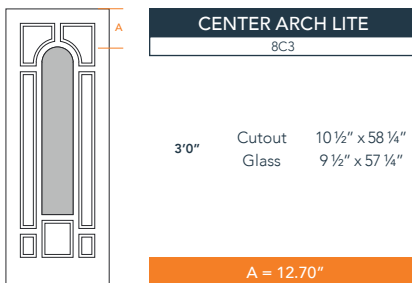
3' 0" x 8' 0"



Panel Spacing Detail

NOTE: BY REQUEST, DOOR HEIGHT COMES IN VARYING DIMENSIONS TO A MINIMUM OF 95". EXCESS WILL BE TAKEN FROM BOTTOM RAIL. ALL OTHER DIMENSIONS WILL REMAIN THE SAME.

CUTOUTS & GLASS

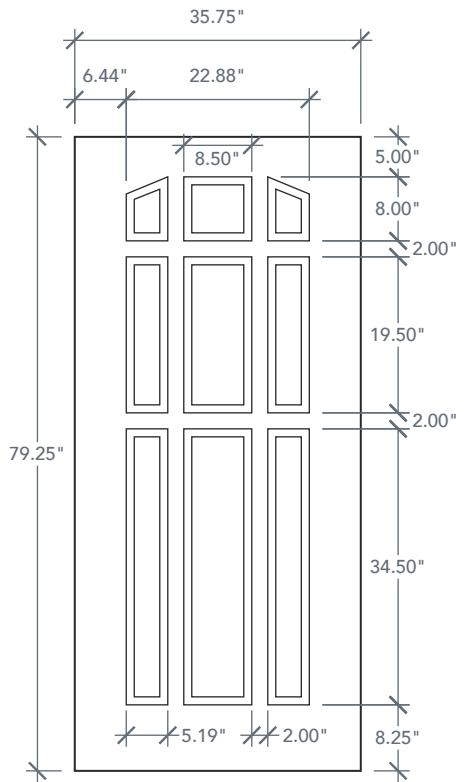


A = DISTANCE FROM TOP OF DOOR TO TOP OF OPENING

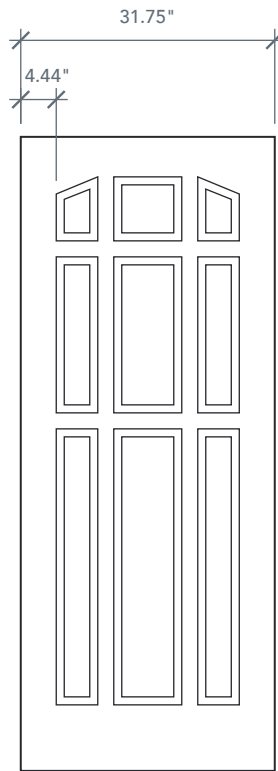
6'8" DRG90 NINE PANEL DOOR

AVAILABLE SIZING

ARTWORK SCALE: 1/2"=1'



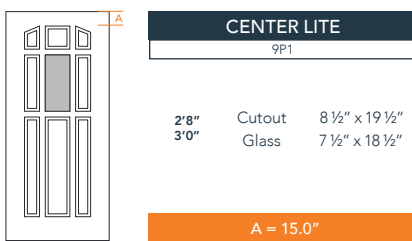
3' 0" x 6' 8"



2' 8" x 6' 8"

NOTE: BY REQUEST, DOOR HEIGHT COMES IN VARYING DIMENSIONS TO A MINIMUM OF 79". EXCESS WILL BE TAKEN FROM BOTTOM RAIL. ALL OTHER DIMENSIONS WILL REMAIN THE SAME.

CUTOUTS & GLASS

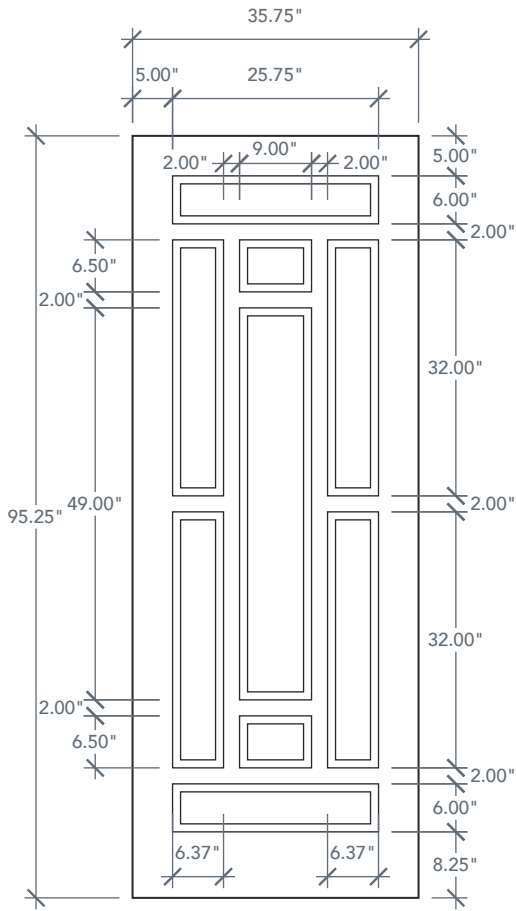


A = DISTANCE FROM TOP OF DOOR TO TOP OF OPENING

8'0" DRG9180 NINE PANEL DOOR

AVAILABLE SIZING

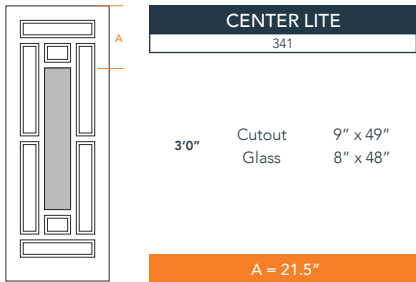
ARTWORK SCALE: 1/2"=1'



3' 0" x 8' 0"

NOTE: BY REQUEST, DOOR HEIGHT COMES IN VARYING DIMENSIONS TO A MINIMUM OF 95". EXCESS WILL BE TAKEN FROM BOTTOM RAIL. ALL OTHER DIMENSIONS WILL REMAIN THE SAME.

CUTOUTS & GLASS

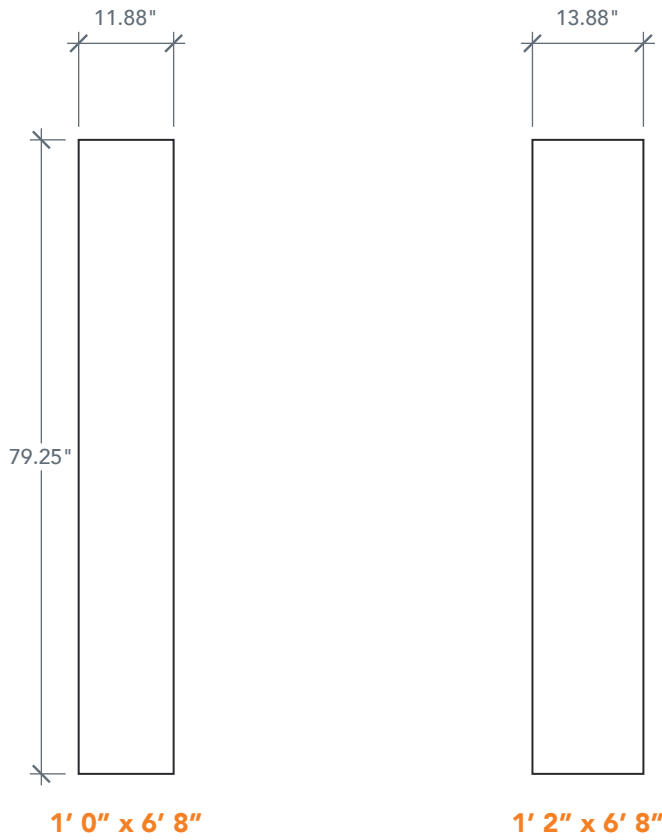


A = DISTANCE FROM TOP OF DOOR TO TOP OF OPENING

6'8" SLG00 FLUSH SIDELITE

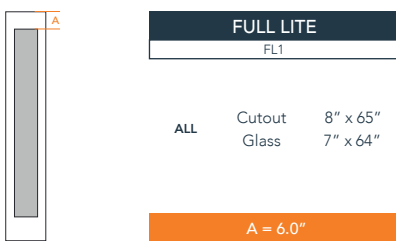
AVAILABLE SIZING

ARTWORK SCALE: 1/2"=1'



NOTE: BY REQUEST, SIDELITE HEIGHT COMES IN VARYING DIMENSIONS TO A MINIMUM OF 79". EXCESS WILL BE TAKEN FROM BOTTOM RAIL. ALL OTHER DIMENSIONS WILL REMAIN THE SAME.

CUTOUTS & GLASS



A = DISTANCE FROM TOP OF DOOR TO TOP OF OPENING

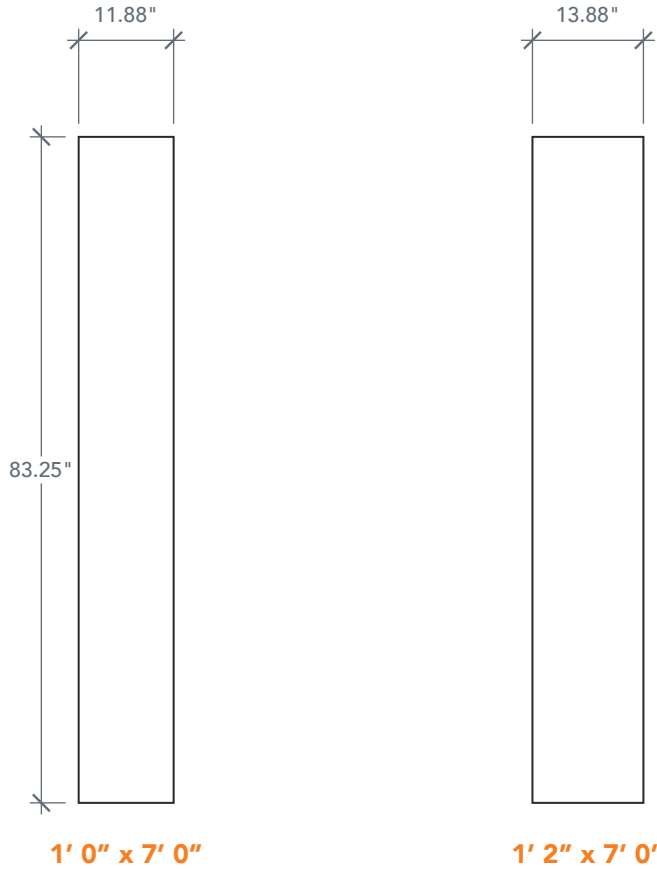
MATCHING DOORS



7'0" SLG0070 FLUSH SIDELITE

AVAILABLE SIZING

ARTWORK SCALE: 1/2"=1'



NOTE: BY REQUEST, SIDELITE HEIGHT COMES IN VARYING DIMENSIONS TO A MINIMUM OF 83". EXCESS WILL BE TAKEN FROM BOTTOM RAIL. ALL OTHER DIMENSIONS WILL REMAIN THE SAME.

CUTOUTS & GLASS



A = DISTANCE FROM TOP OF DOOR TO TOP OF OPENING

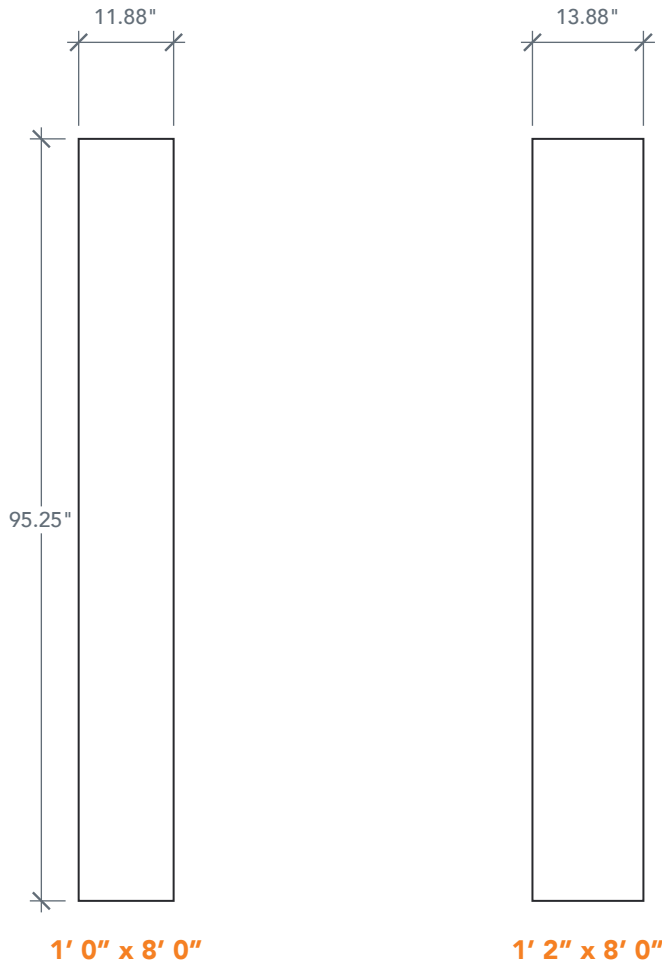
MATCHING DOORS



8'0" SLG0080 FLUSH SIDELITE

AVAILABLE SIZING

ARTWORK SCALE: 1/2"=1'



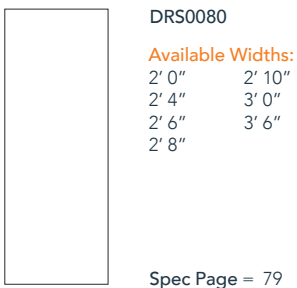
NOTE: BY REQUEST, SIDELITE HEIGHT COMES IN VARYING DIMENSIONS TO A MINIMUM OF 95". EXCESS WILL BE TAKEN FROM BOTTOM RAIL. ALL OTHER DIMENSIONS WILL REMAIN THE SAME.

CUTOUTS & GLASS



A = DISTANCE FROM TOP OF DOOR TO TOP OF OPENING

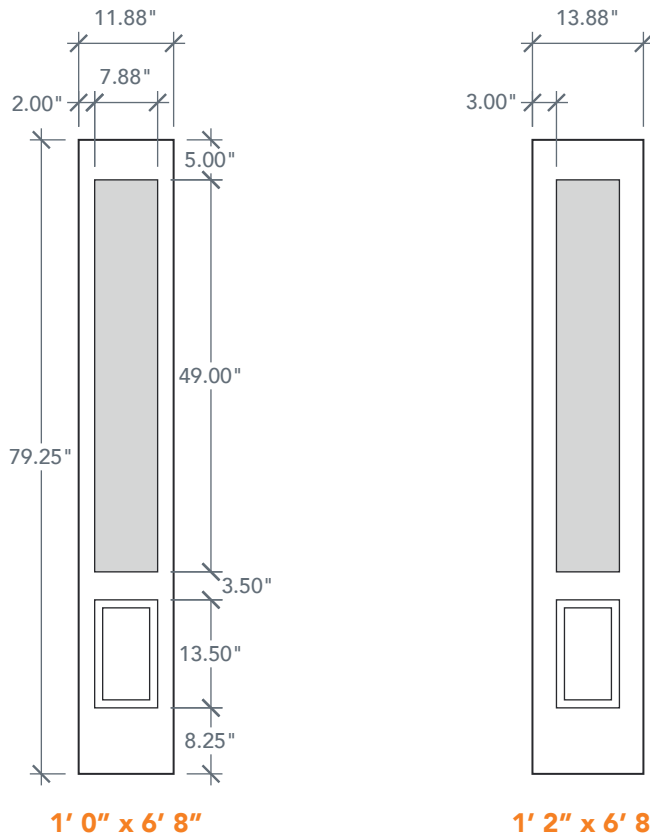
MATCHING DOORS



6'8" SLG3E 3/4 ELITE SIDELITE

AVAILABLE SIZING

ARTWORK SCALE: 1/2"=1'

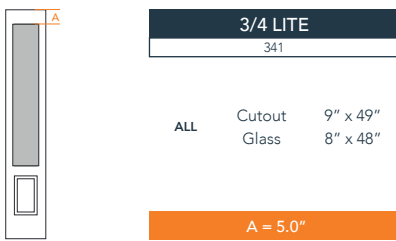


1' 0" x 6' 8"

1' 2" x 6' 8"

NOTE: BY REQUEST, SIDELITE HEIGHT COMES IN VARYING DIMENSIONS TO A MINIMUM OF 79". EXCESS WILL BE TAKEN FROM BOTTOM RAIL. ALL OTHER DIMENSIONS WILL REMAIN THE SAME.

CUTOUTS & GLASS



A = DISTANCE FROM TOP OF DOOR TO TOP OF OPENING

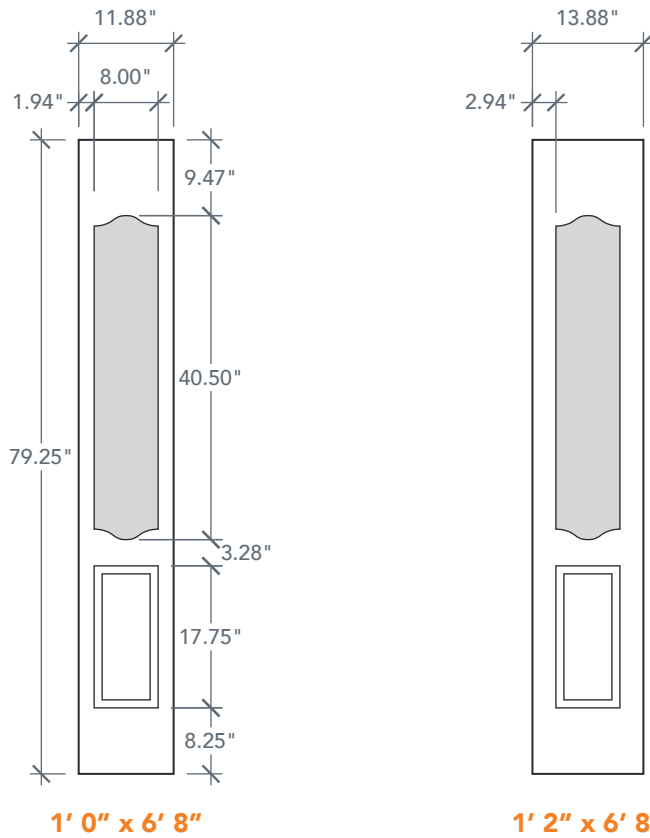
MATCHING DOORS



6'8" SLG3P 3/4 PREMIUM SIDELITE

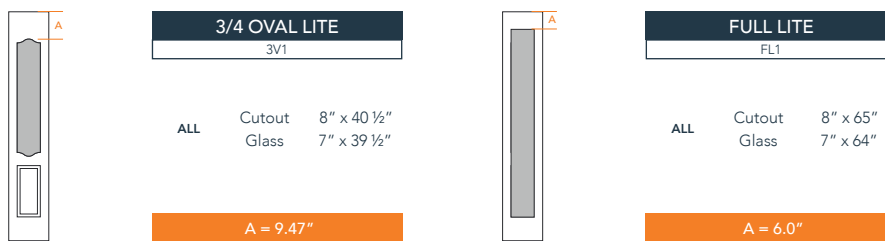
AVAILABLE SIZING

ARTWORK SCALE: 1/2"=1'



NOTE: BY REQUEST, SIDELITE HEIGHT COMES IN VARYING DIMENSIONS TO A MINIMUM OF 79". EXCESS WILL BE TAKEN FROM BOTTOM RAIL. ALL OTHER DIMENSIONS WILL REMAIN THE SAME.

CUTOUTS & GLASS



A = DISTANCE FROM TOP OF DOOR TO TOP OF OPENING

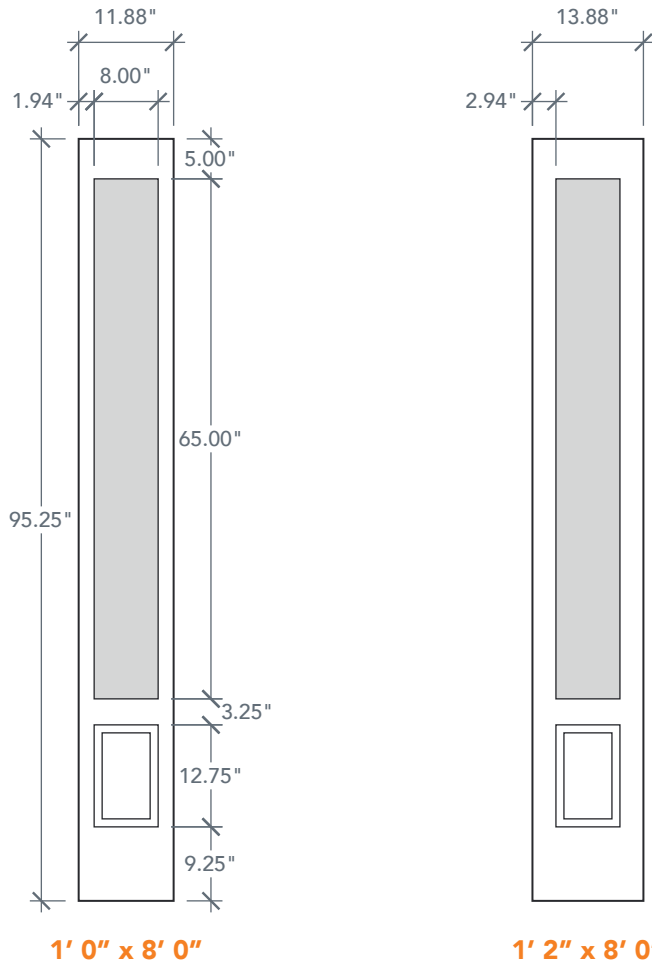
MATCHING DOORS



8'0" SLG3080 3/4 THREE PANEL SIDELITE

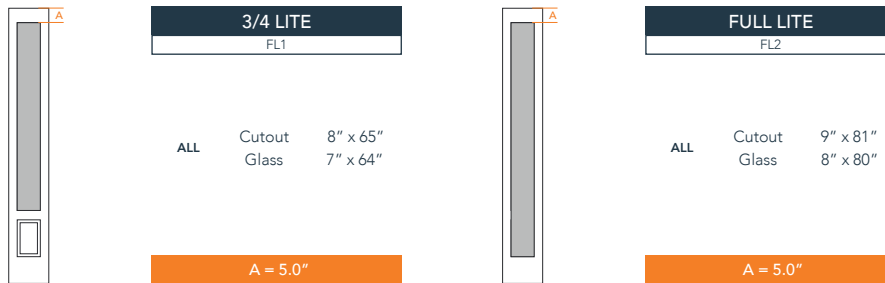
AVAILABLE SIZING

ARTWORK SCALE: 1/2"=1'



NOTE: BY REQUEST, SIDELITE HEIGHT COMES IN VARYING DIMENSIONS TO A MINIMUM OF 95". EXCESS WILL BE TAKEN FROM BOTTOM RAIL. ALL OTHER DIMENSIONS WILL REMAIN THE SAME.

CUTOUTS & GLASS



A = DISTANCE FROM TOP OF DOOR TO TOP OF OPENING

MATCHING DOORS

DRS2980
Available Widths:
2' 8"
2' 10"
3' 0"

Spec Page = 82

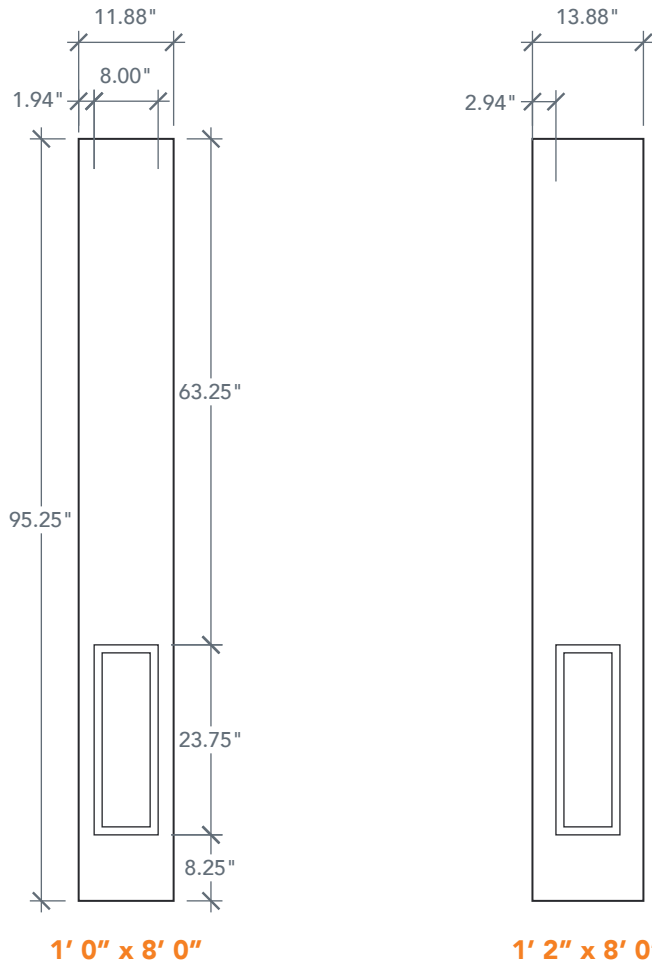
DRS3080
Available Widths:
2' 8"
3' 0"

Spec Page = 85

8'0" SLG4180 FOUR PANEL SIDELITE

AVAILABLE SIZING

ARTWORK SCALE: 1/2"=1'

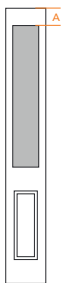


1' 0" x 8' 0"

1' 2" x 8' 0"

NOTE: BY REQUEST, SIDELITE HEIGHT COMES IN VARYING DIMENSIONS TO A MINIMUM OF 95". EXCESS WILL BE TAKEN FROM BOTTOM RAIL. ALL OTHER DIMENSIONS WILL REMAIN THE SAME.

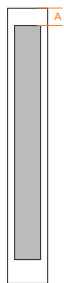
CUTOUTS & GLASS



HALF LITE	
341	

ALL	Cutout	9" x 49"
	Glass	8" x 48"

A = 6.0"



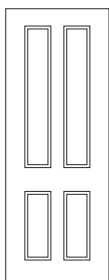
FULL LITE	
FL2	

ALL	Cutout	9" x 81"
	Glass	8" x 80"

A = 6.0"

A = DISTANCE FROM TOP OF DOOR TO TOP OF OPENING

MATCHING DOORS

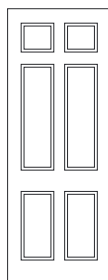


DRS4180

Available Widths:

- 2' 8"
- 2' 10"
- 3' 0"

Spec Page = 90



DRS6080

Available Widths:

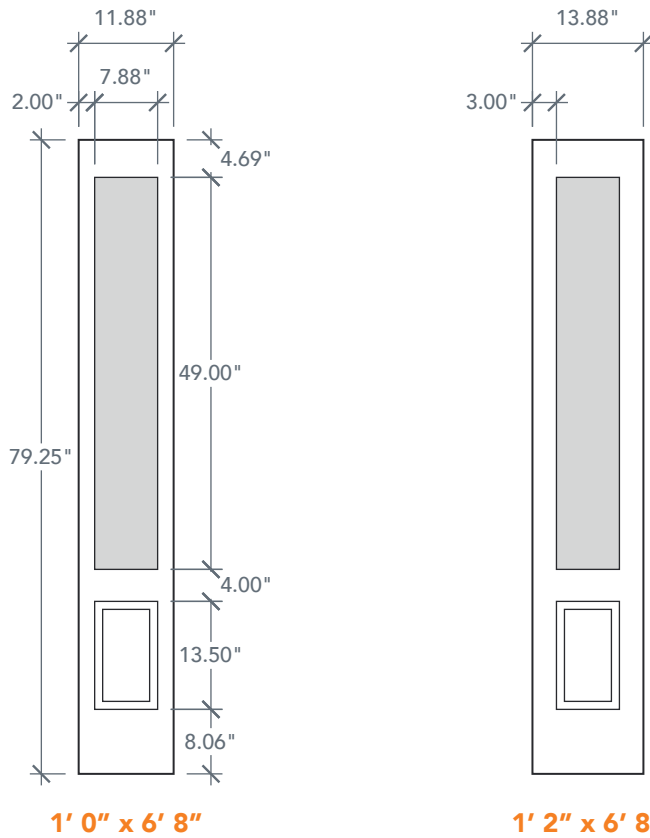
- 2' 6"
- 2' 8"
- 3' 0"
- 3' 6"

Spec Page = 94

6'8" SLG49 3/4 FOUR PANEL SIDELITE

AVAILABLE SIZING

ARTWORK SCALE: 1/2"=1'



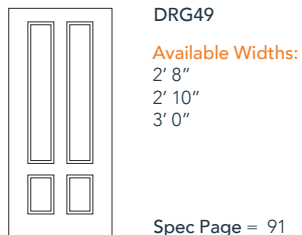
NOTE: BY REQUEST, SIDELITE HEIGHT COMES IN VARYING DIMENSIONS TO A MINIMUM OF 79". EXCESS WILL BE TAKEN FROM BOTTOM RAIL. ALL OTHER DIMENSIONS WILL REMAIN THE SAME.

CUTOUTS & GLASS



A = DISTANCE FROM TOP OF DOOR TO TOP OF OPENING

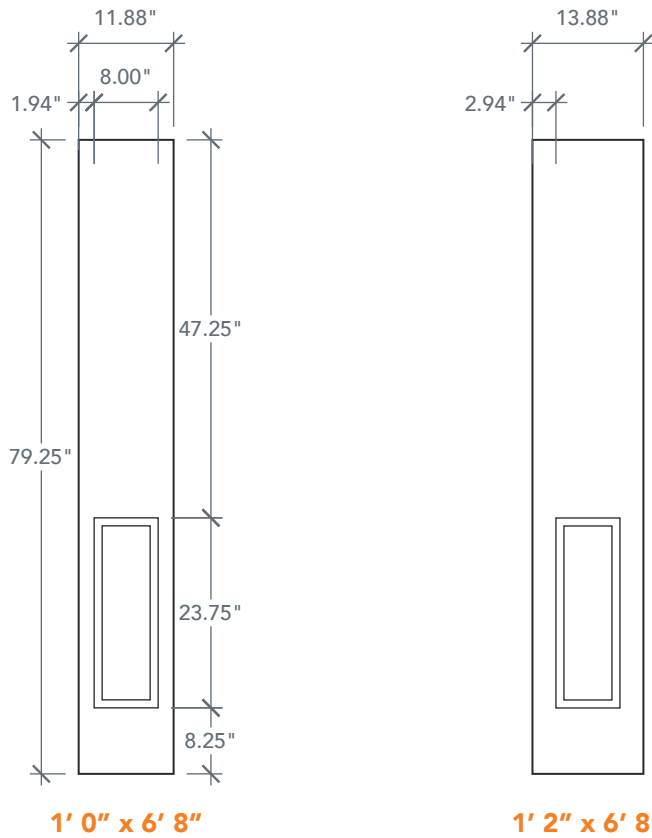
MATCHING DOORS



6'8" SLG60 SIX PANEL SIDELITE

AVAILABLE SIZING

ARTWORK SCALE: 1/2"=1'

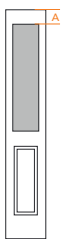


1' 0" x 6' 8"

1' 2" x 6' 8"

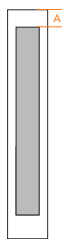
NOTE: BY REQUEST, SIDELITE HEIGHT COMES IN VARYING DIMENSIONS TO A MINIMUM OF 79". EXCESS WILL BE TAKEN FROM BOTTOM RAIL. ALL OTHER DIMENSIONS WILL REMAIN THE SAME.

CUTOUTS & GLASS



ALL Cutout 9" x 37"
Glass 8" x 36"

A = 5.0"

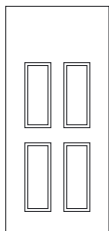


ALL Cutout 8" x 65"
Glass 7" x 64"

A = 6.0"

A = DISTANCE FROM TOP OF DOOR TO TOP OF OPENING

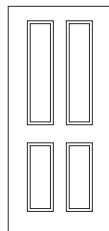
MATCHING DOORS



DRG40

Available Widths:
2' 6"
2' 8"
2' 10"
3' 0"

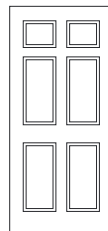
Spec Page = 87



DRG41

Available Widths:
2' 8"
3' 0"
3' 6"

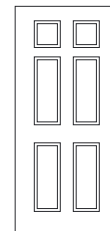
Spec Page = 88



DRG60

Available Widths:
2' 6"
3' 0"

Spec Page = 93



DRG63

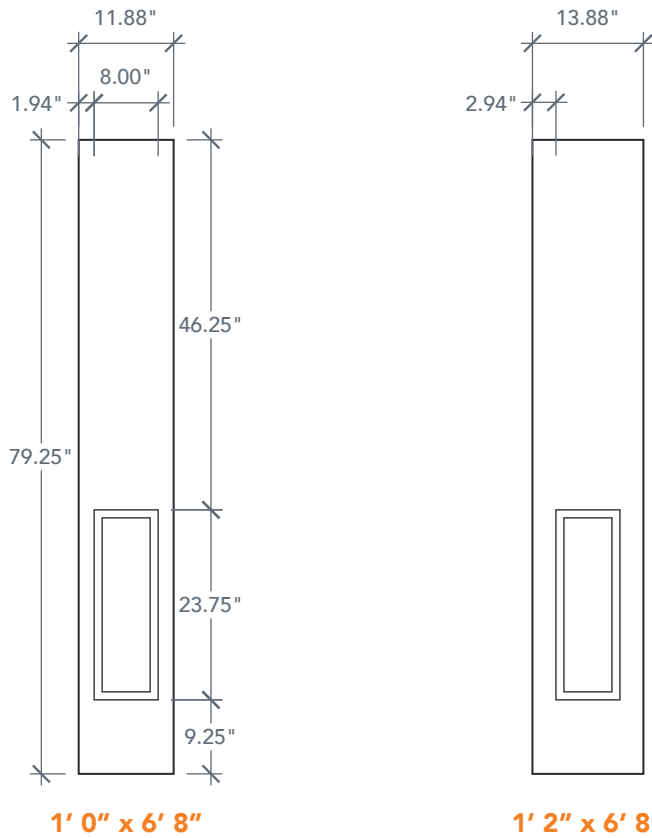
Available Widths:
2' 6"
3' 0"

Spec Page = 98

6'8" SLG61 SIX PANEL UTILITY SIDELITE

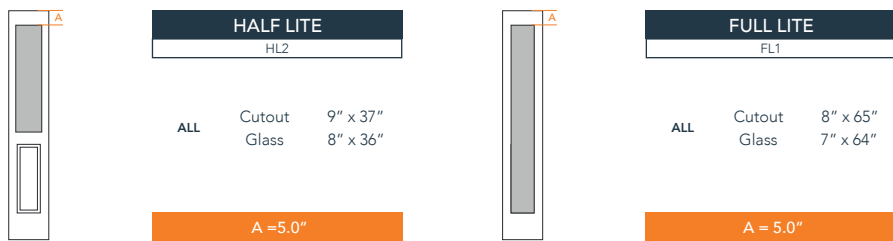
AVAILABLE SIZING

ARTWORK SCALE: 1/2"=1'



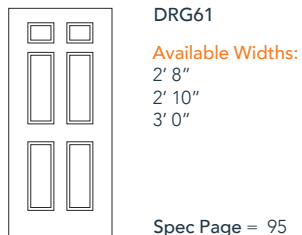
NOTE: BY REQUEST, SIDELITE HEIGHT COMES IN VARYING DIMENSIONS TO A MINIMUM OF 79". EXCESS WILL BE TAKEN FROM BOTTOM RAIL. ALL OTHER DIMENSIONS WILL REMAIN THE SAME.

CUTOUTS & GLASS



A = DISTANCE FROM TOP OF DOOR TO TOP OF OPENING

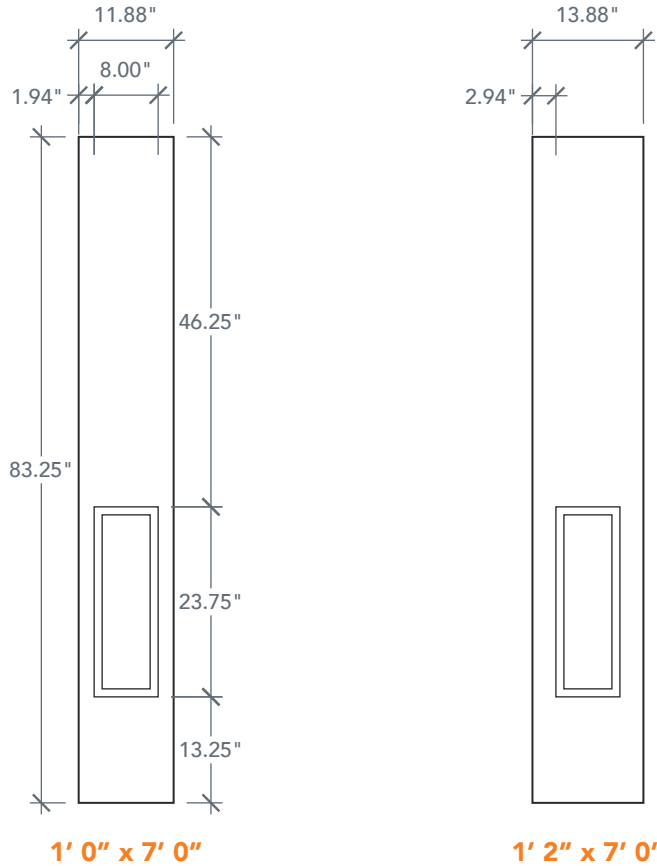
MATCHING DOORS



7'0" SLG6170 SIX PANEL UTILITY SIDELITE

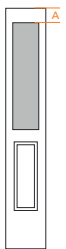
AVAILABLE SIZING

ARTWORK SCALE: 1/2"=1'



NOTE: BY REQUEST, SIDELITE HEIGHT COMES IN VARYING DIMENSIONS TO A MINIMUM OF 83". EXCESS WILL BE TAKEN FROM BOTTOM RAIL. ALL OTHER DIMENSIONS WILL REMAIN THE SAME.

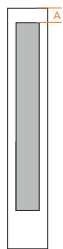
CUTOUTS & GLASS



HALF LITE
HL2

ALL Cutout 9" x 37"
Glass 8" x 36"

A = 5.0"



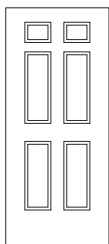
FULL LITE
FL1

ALL Cutout 8" x 65"
Glass 7" x 64"

A = 5.0"

A = DISTANCE FROM TOP OF DOOR TO TOP OF OPENING

MATCHING DOORS



DRG6170

Available Widths:

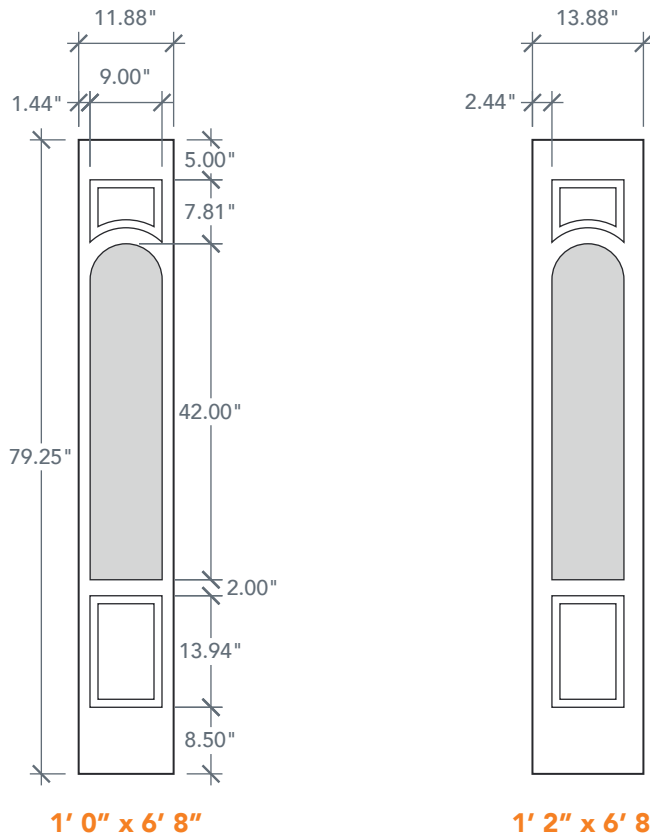
2' 8"
2' 10"
3' 0"

Spec Page = 96

6'8" SLG80 EIGHT PANEL SIDELITE

AVAILABLE SIZING

ARTWORK SCALE: 1/2"=1'

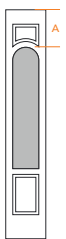


1' 0" x 6' 8"

1' 2" x 6' 8"

NOTE: BY REQUEST, SIDELITE HEIGHT COMES IN VARYING DIMENSIONS TO A MINIMUM OF 79". EXCESS WILL BE TAKEN FROM BOTTOM RAIL. ALL OTHER DIMENSIONS WILL REMAIN THE SAME.

CUTOUTS & GLASS



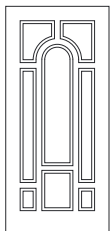
CENTER ARCH LITE
8C1

ALL Cutout 9" x 42"
Glass 8" x 41"

A = 12.81"

A = DISTANCE FROM TOP OF DOOR TO TOP OF OPENING

MATCHING DOORS



DRG80

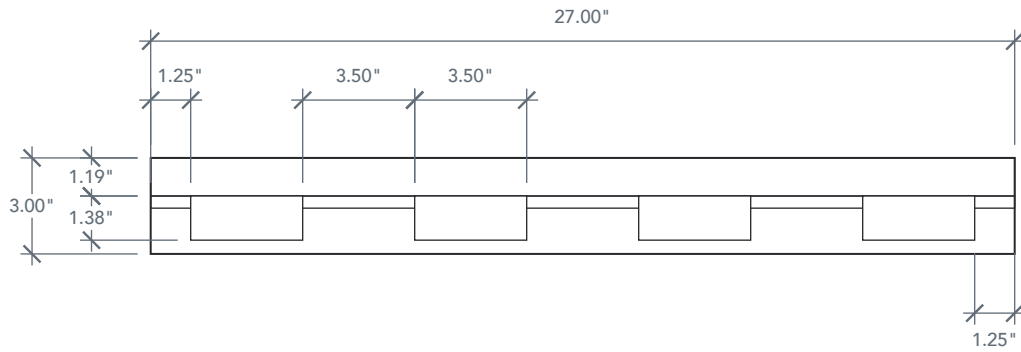
Available Widths:
3' 0"

Spec Page = 99

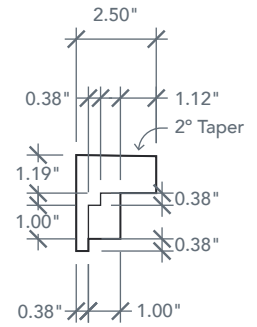
ACDSGT2704 4 BLOCK DENTIL SHELF

ACCESSORY DIMENSIONS

ARTWORK NOT TO SCALE

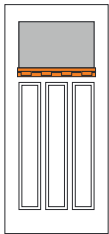


Front Profile



Side Profile

ACCESSORY INFO



Parts Per Set: 1
4 Block Dentil Shelf

Matching Doors:
DRG6C | *Spec Page 92*

SMOOTH SERIES

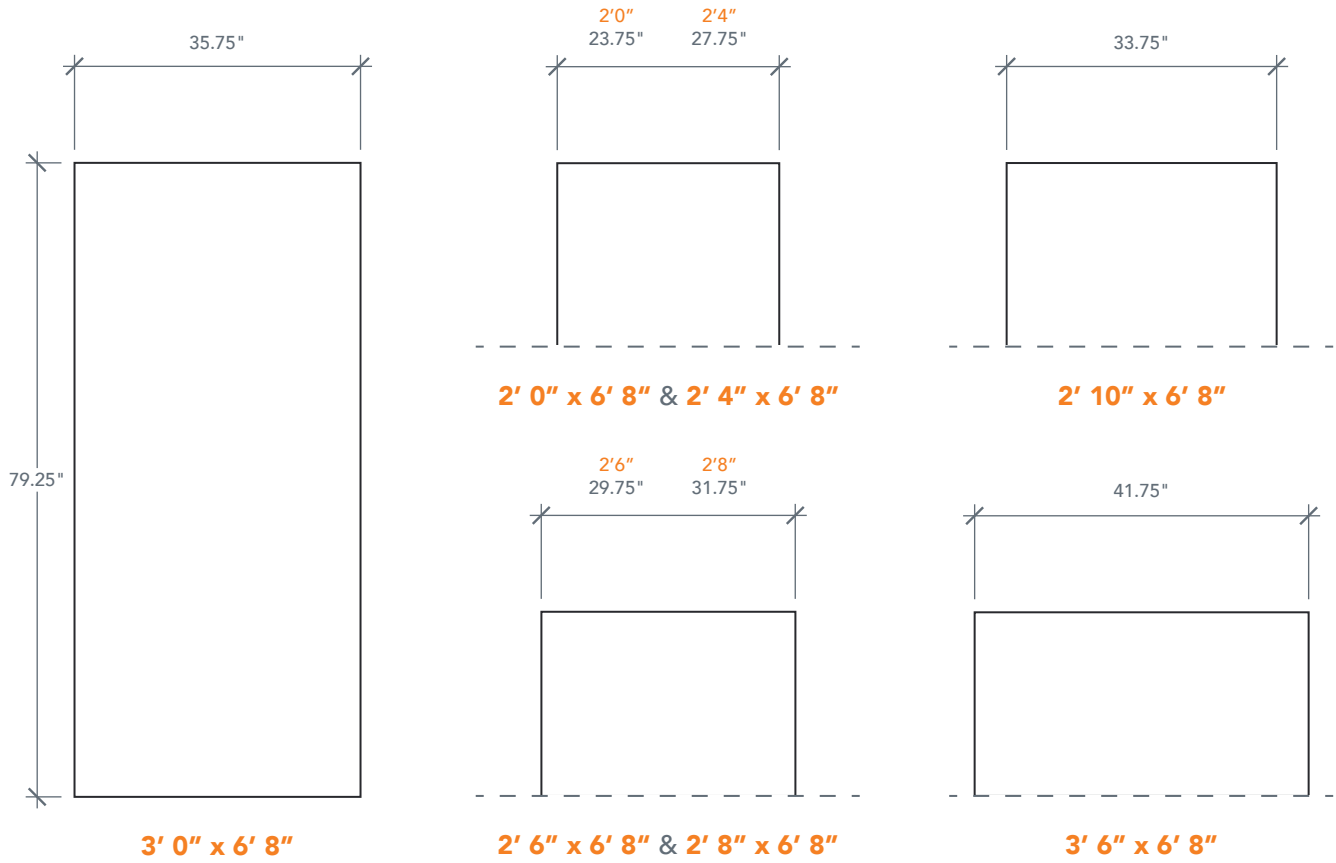
We need some appreciation for our natural beauties out there, and Plastpro is here to give it, specifically with our glorious Smooth Series. These doors are made with a pre-pigmented, white skin; its polished look accentuates a one-of-a-kind simplicity to any entryway. Our smooth skin incorporates a variety of panel designs and glass options which allows you to add spice to your door while still accomplishing a clean minimal look. Additionally, this series can be painted giving you the opportunity to create a door that exemplifies the real you.

PG 116 - 165

6'8" DRS00 FLUSH PANEL DOOR

AVAILABLE SIZING

ARTWORK SCALE: 1/2"=1'



NOTE: BY REQUEST, DOOR HEIGHT COMES IN VARYING DIMENSIONS TO A MINIMUM OF 79". EXCESS WILL BE TAKEN FROM BOTTOM RAIL. ALL OTHER DIMENSIONS WILL REMAIN THE SAME.

CUTOUTS & GLASS

	FULL LITE	
	FL5	
	2'6"	Cutout 21" x 65" Glass 20" x 64"
	FL7	
2'8"	Cutout 23" x 65"	
2'10"	Glass 22" x 64"	
3'0"		
A = 6.0"		

A = DISTANCE FROM TOP OF DOOR TO TOP OF OPENING

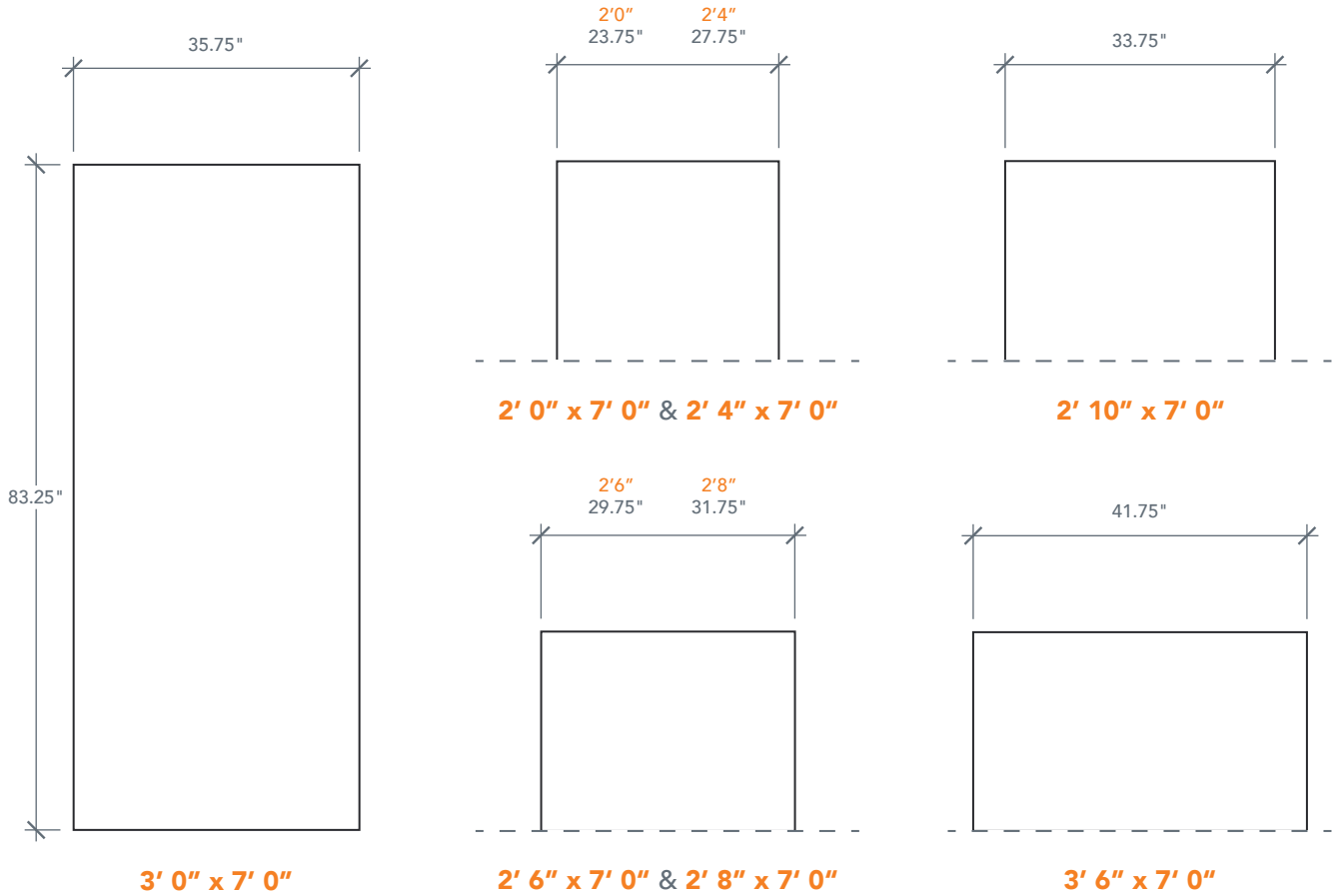
MATCHING SIDELITES

	SLS00
	Available Widths: 1' 0" 1' 2"
	Spec Page = 151

7'0" DRS0070 FLUSH PANEL DOOR

AVAILABLE SIZING

ARTWORK SCALE: 1/2"=1'



NOTE: BY REQUEST, DOOR HEIGHT COMES IN VARYING DIMENSIONS TO A MINIMUM OF 83". EXCESS WILL BE TAKEN FROM BOTTOM RAIL. ALL OTHER DIMENSIONS WILL REMAIN THE SAME.

CUTOUTS & GLASS

	FULL LITE		
	FL5		
	2'6"	Cutout	21" x 65"
		Glass	20" x 64"
	FL7		
	2'8" 2'10" 3'0"	Cutout	23" x 65"
	Glass	22" x 64"	
A = 7.5"			

A = DISTANCE FROM TOP OF DOOR TO TOP OF OPENING

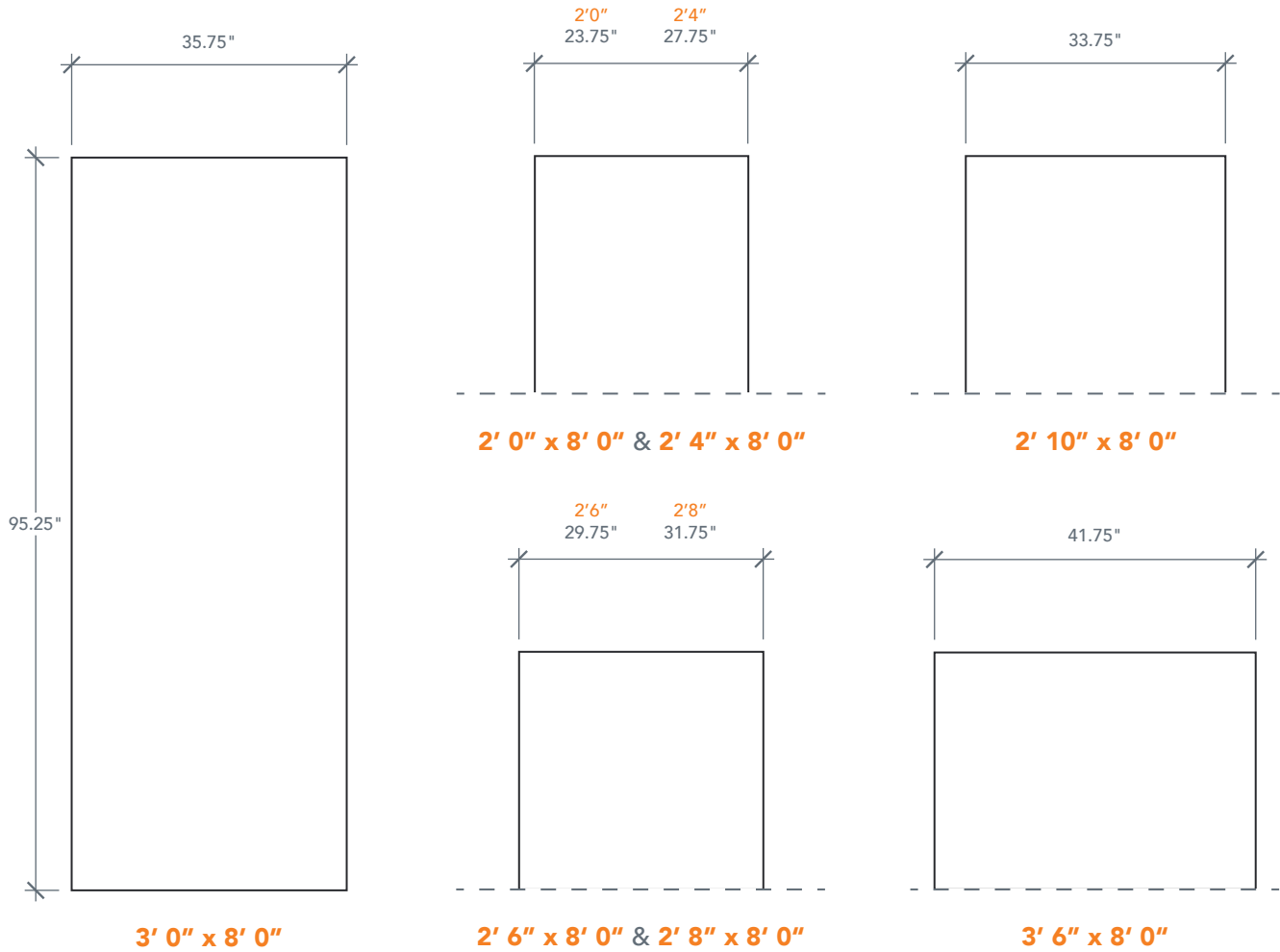
MATCHING SIDELITES

	SLS0070
	Available Widths: 1' 0" 1' 2"
	Spec Page = 152

8'0" DRS0080 FLUSH PANEL DOOR

AVAILABLE SIZING

ARTWORK SCALE: 1/2"=1'



NOTE: BY REQUEST, DOOR HEIGHT COMES IN VARYING DIMENSIONS TO A MINIMUM OF 95". EXCESS WILL BE TAKEN FROM BOTTOM RAIL. ALL OTHER DIMENSIONS WILL REMAIN THE SAME.

CUTOUTS & GLASS

FULL LITE	
FL6	
2'6"	Cutout 21" x 81" Glass 20" x 80"
FL8	
2'8"	Cutout 23" x 81"
2'10"	Glass 22" x 80"
3'0"	
A = 6.0"	

A = DISTANCE FROM TOP OF DOOR TO TOP OF OPENING

MATCHING SIDELITES

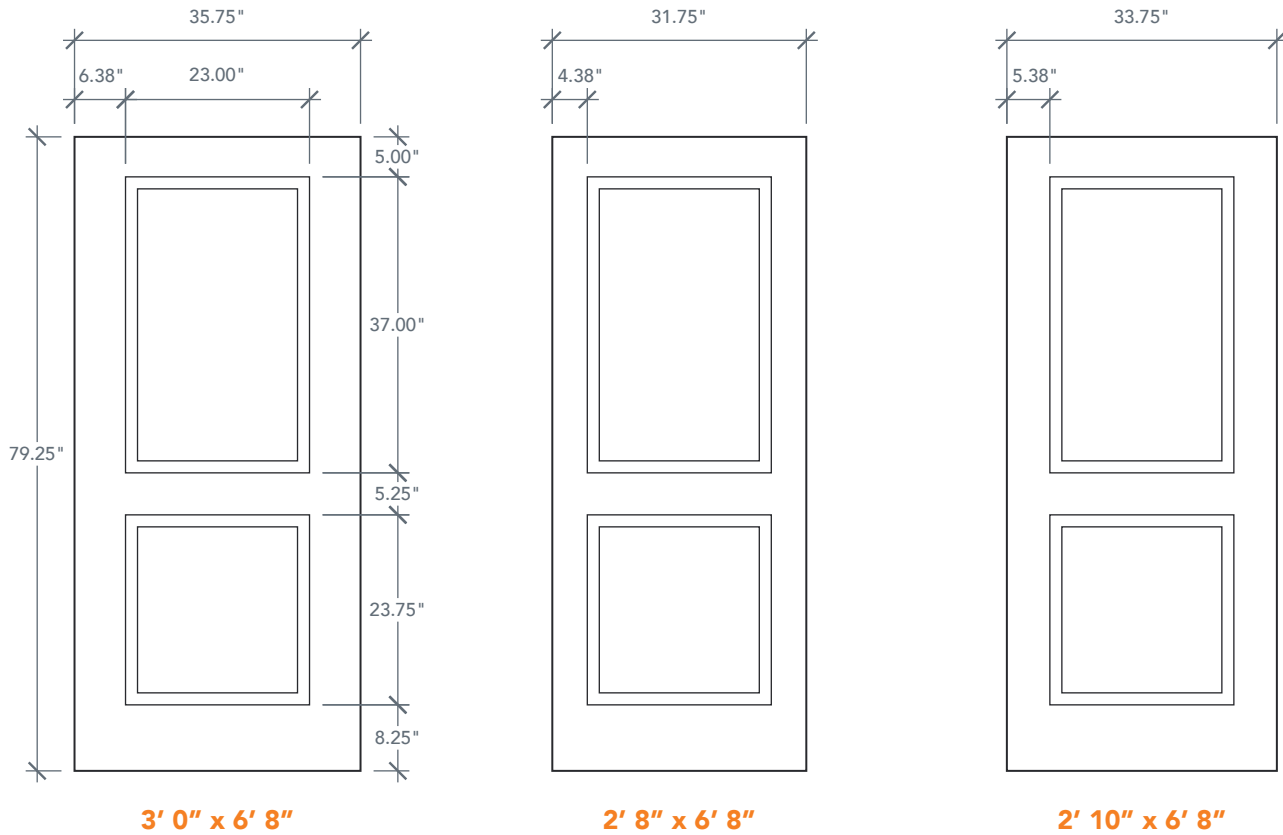
	SLS0080
	Available Widths: 1' 0" 1' 2"
	Spec Page = 153

6'8" DRS2B TWO PANEL DOOR

SQUARE PANEL & SQUARE TOP

AVAILABLE SIZING

ARTWORK SCALE: 1/2"=1'



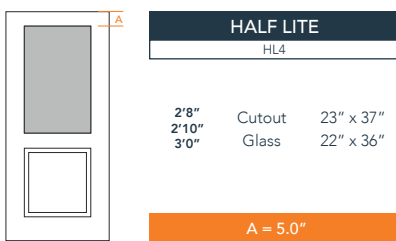
3' 0" x 6' 8"

2' 8" x 6' 8"

2' 10" x 6' 8"

NOTE: BY REQUEST, DOOR HEIGHT COMES IN VARYING DIMENSIONS TO A MINIMUM OF 79". EXCESS WILL BE TAKEN FROM BOTTOM RAIL. ALL OTHER DIMENSIONS WILL REMAIN THE SAME.

CUTOUTS & GLASS



A = DISTANCE FROM TOP OF DOOR TO TOP OF OPENING

MATCHING SIDELITES

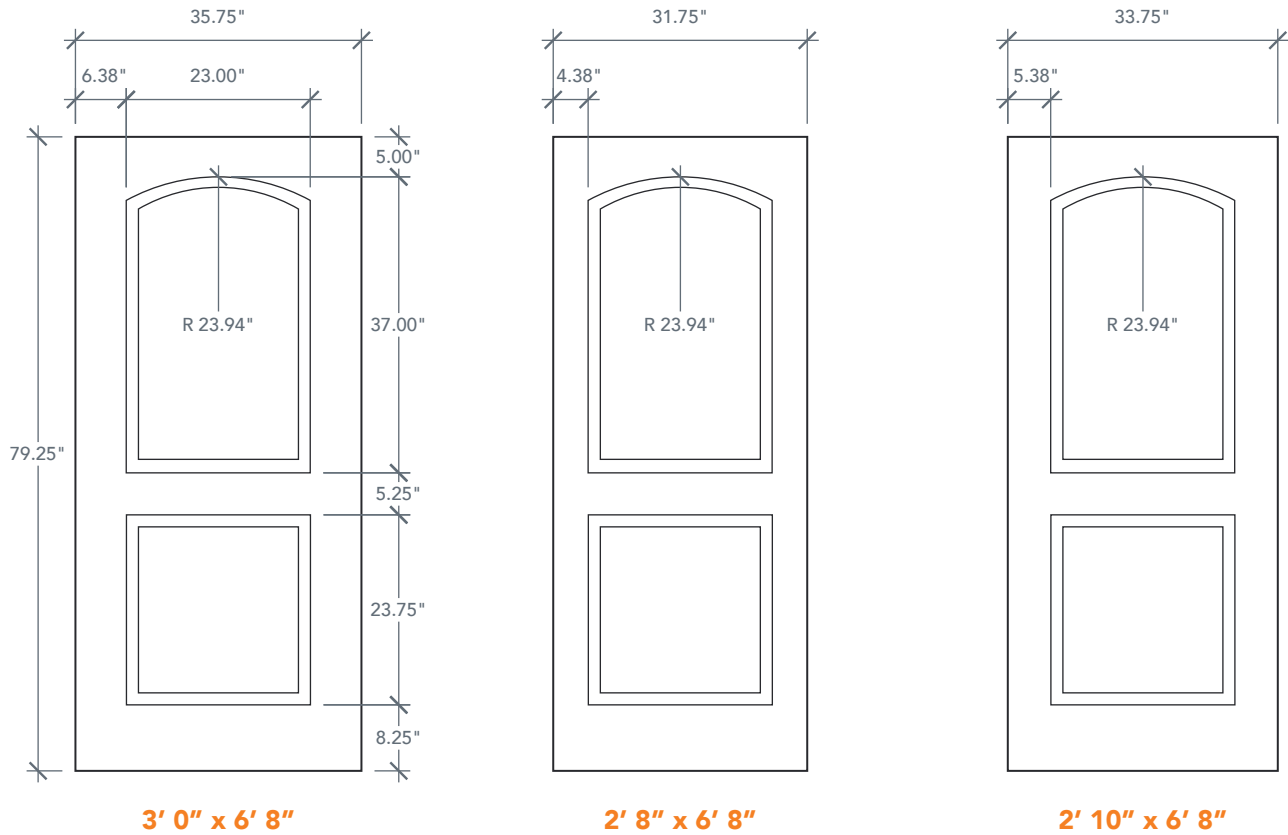


6'8" DRS2D TWO PANEL DOOR

ARCH PANEL & SQUARE TOP

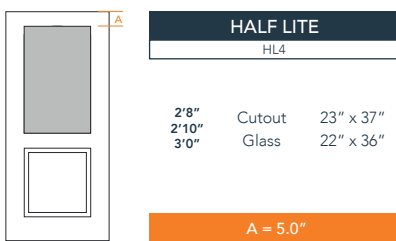
AVAILABLE SIZING

ARTWORK SCALE: 1/2"=1'



NOTE: BY REQUEST, DOOR HEIGHT COMES IN VARYING DIMENSIONS TO A MINIMUM OF 79". EXCESS WILL BE TAKEN FROM BOTTOM RAIL. ALL OTHER DIMENSIONS WILL REMAIN THE SAME.

CUTOUTS & GLASS



A = DISTANCE FROM TOP OF DOOR TO TOP OF OPENING

MATCHING SIDELITES

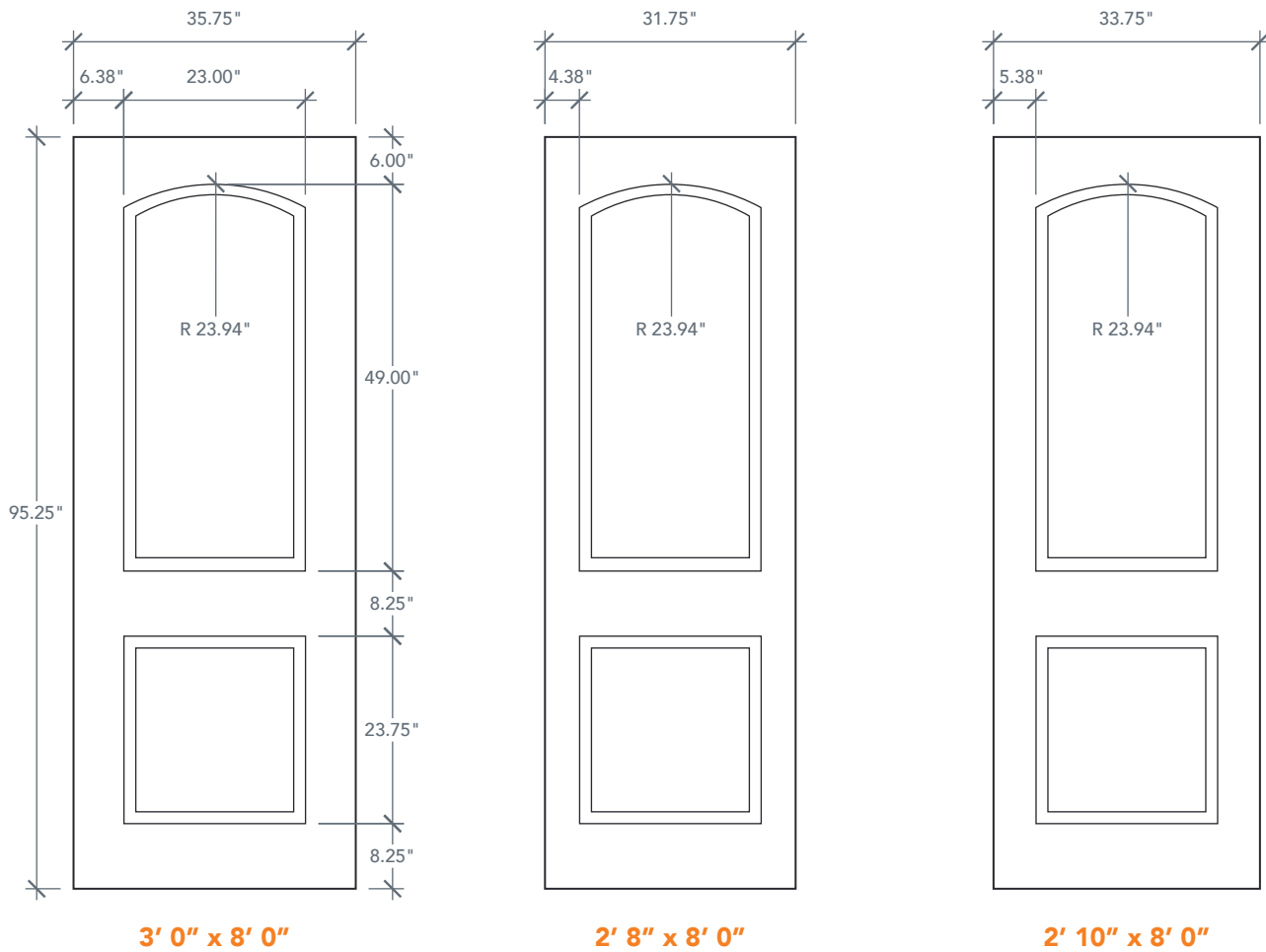


8'0" DRS2D80 TWO PANEL DOOR

ARCH PANEL & SQUARE TOP

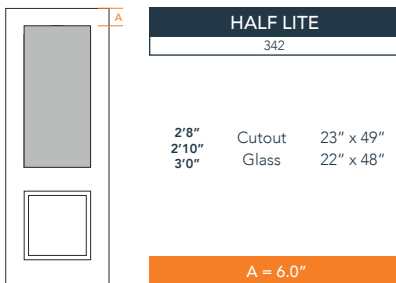
AVAILABLE SIZING

ARTWORK SCALE: 1/2"=1'



NOTE: BY REQUEST, DOOR HEIGHT COMES IN VARYING DIMENSIONS TO A MINIMUM OF 95". EXCESS WILL BE TAKEN FROM BOTTOM RAIL. ALL OTHER DIMENSIONS WILL REMAIN THE SAME.

CUTOUTS & GLASS



A = DISTANCE FROM TOP OF DOOR TO TOP OF OPENING

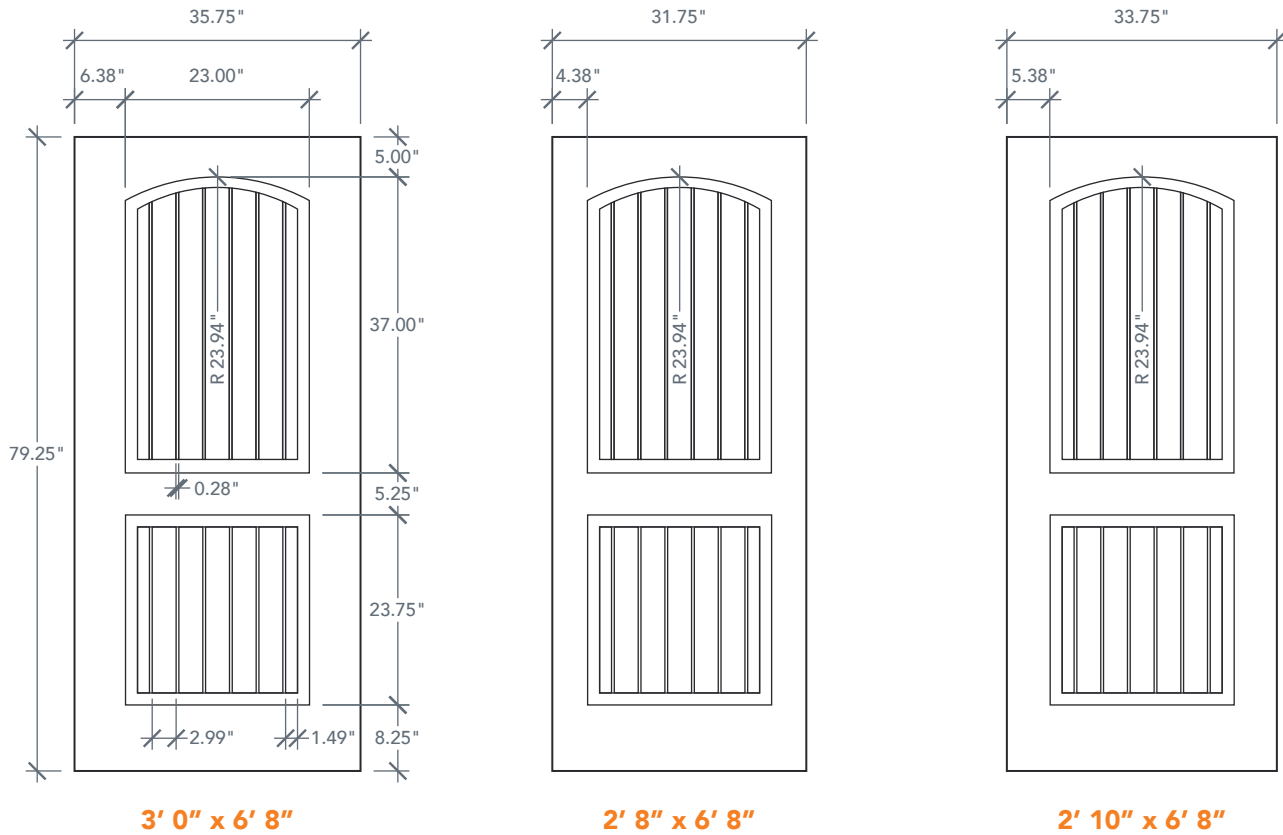
MATCHING SIDELITES



6'8" DRS2G COTTAGE TWO PANEL DOOR

AVAILABLE SIZING

ARTWORK SCALE: 1/2"=1'



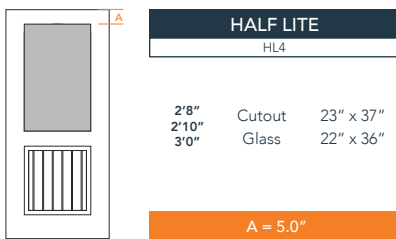
3' 0" x 6' 8"

2' 8" x 6' 8"

2' 10" x 6' 8"

NOTE: BY REQUEST, DOOR HEIGHT COMES IN VARYING DIMENSIONS TO A MINIMUM OF 79". EXCESS WILL BE TAKEN FROM BOTTOM RAIL. ALL OTHER DIMENSIONS WILL REMAIN THE SAME.

CUTOUTS & GLASS



A = DISTANCE FROM TOP OF DOOR TO TOP OF OPENING

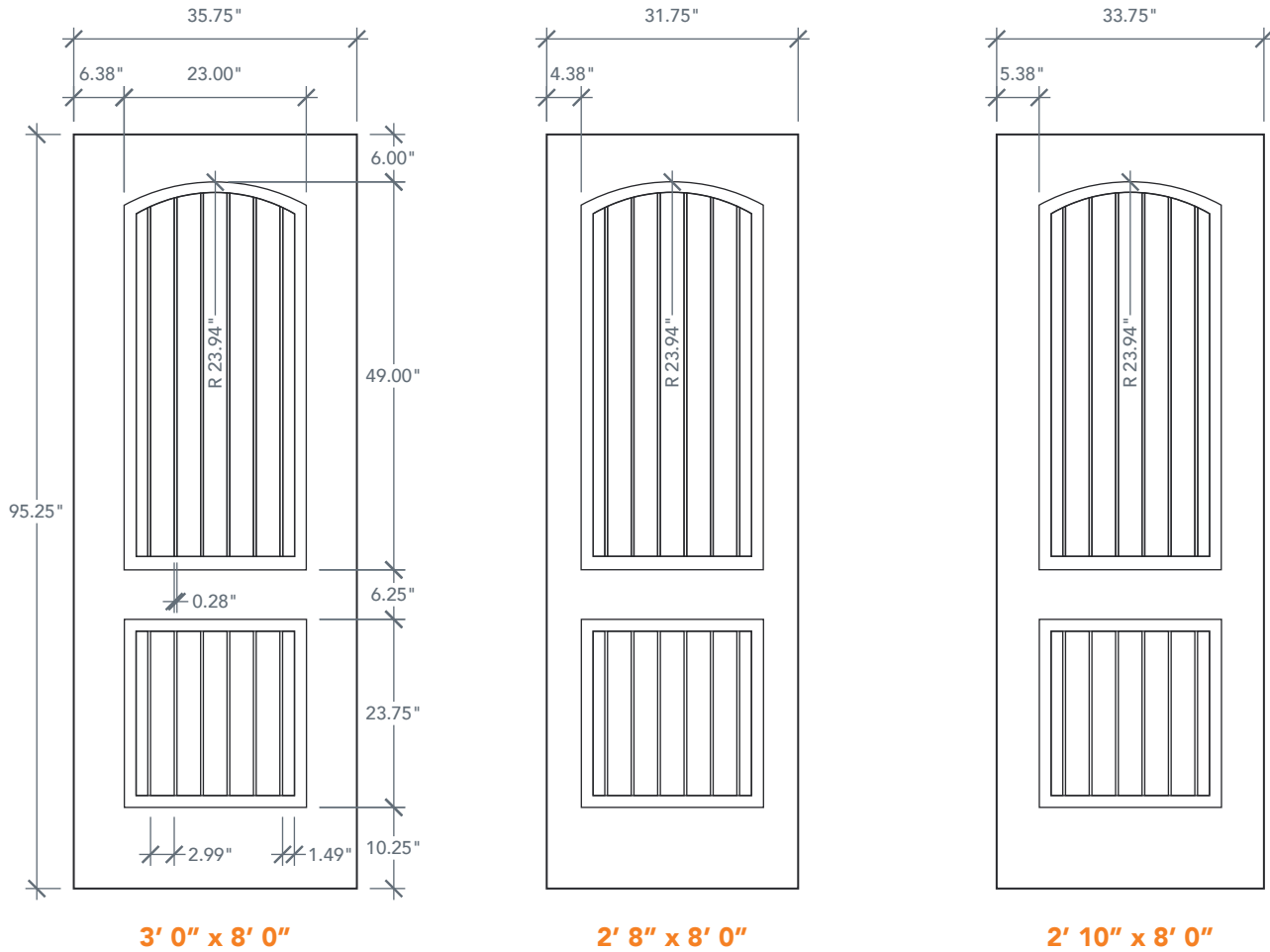
MATCHING SIDELITES



8'0" DRS2G80 COTTAGE TWO PANEL DOOR

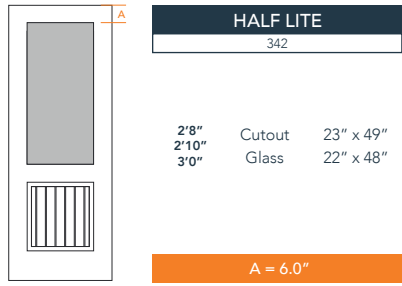
AVAILABLE SIZING

ARTWORK SCALE: 1/2"=1'



NOTE: BY REQUEST, DOOR HEIGHT COMES IN VARYING DIMENSIONS TO A MINIMUM OF 95". EXCESS WILL BE TAKEN FROM BOTTOM RAIL. ALL OTHER DIMENSIONS WILL REMAIN THE SAME.

CUTOUTS & GLASS

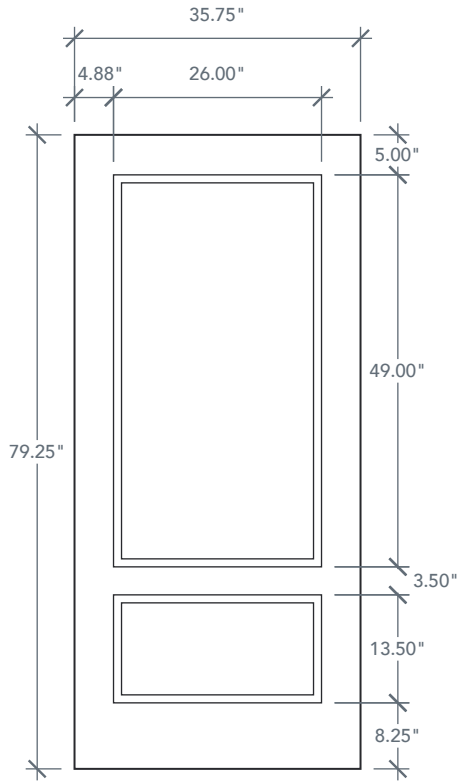


A = DISTANCE FROM TOP OF DOOR TO TOP OF OPENING

6'8" DRS20 3/4 HERITAGE DOOR

AVAILABLE SIZING

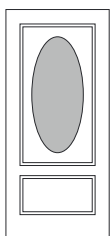
ARTWORK SCALE: 1/2"=1'



3' 0" x 6' 8"

NOTE: BY REQUEST, DOOR HEIGHT COMES IN VARYING DIMENSIONS TO A MINIMUM OF 79". EXCESS WILL BE TAKEN FROM BOTTOM RAIL. ALL OTHER DIMENSIONS WILL REMAIN THE SAME.

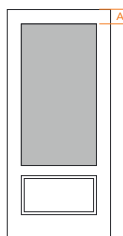
CUTOUTS & GLASS



3/4 OVAL LITE
3V2

3'0" Cutout 17.84" x 40.12"
Glass 16.78" x 38.72"

OVAL IS CENTERED IN PANEL HEIGHT



3/4 LITE
343

3'0" Cutout 26" x 49"
Glass 25" x 48"

A = 5.0"

A = DISTANCE FROM TOP OF DOOR TO TOP OF OPENING

MATCHING SIDELITES



SLS3E

Available Widths:
1' 0"
1' 2"

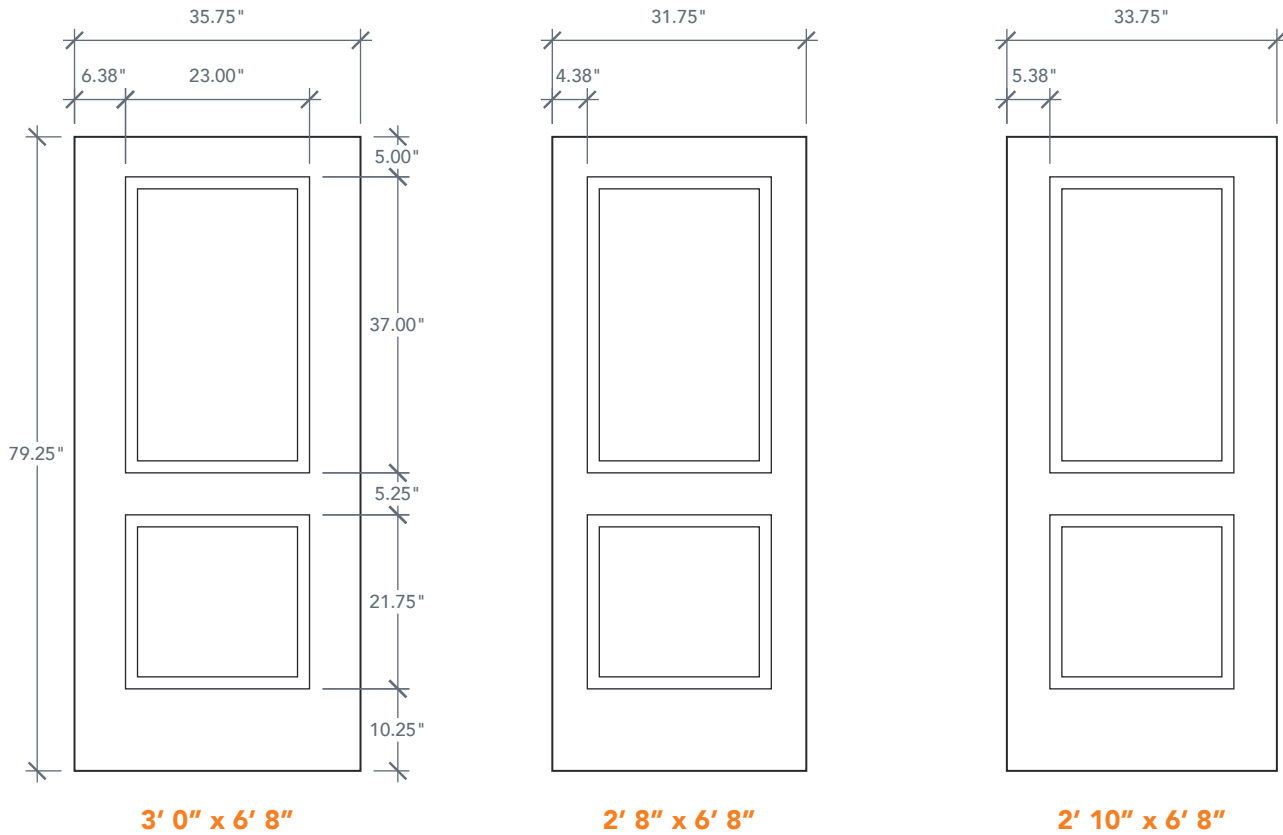
Spec Page = 154

6'8" DRS22 TWO PANEL DOOR

10" BOTTOM RAIL

AVAILABLE SIZING

ARTWORK SCALE: 1/2"=1'



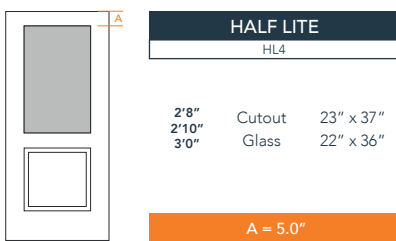
3' 0" x 6' 8"

2' 8" x 6' 8"

2' 10" x 6' 8"

NOTE: BY REQUEST, DOOR HEIGHT COMES IN VARYING DIMENSIONS TO A MINIMUM OF 79". EXCESS WILL BE TAKEN FROM BOTTOM RAIL. ALL OTHER DIMENSIONS WILL REMAIN THE SAME.

CUTOUTS & GLASS



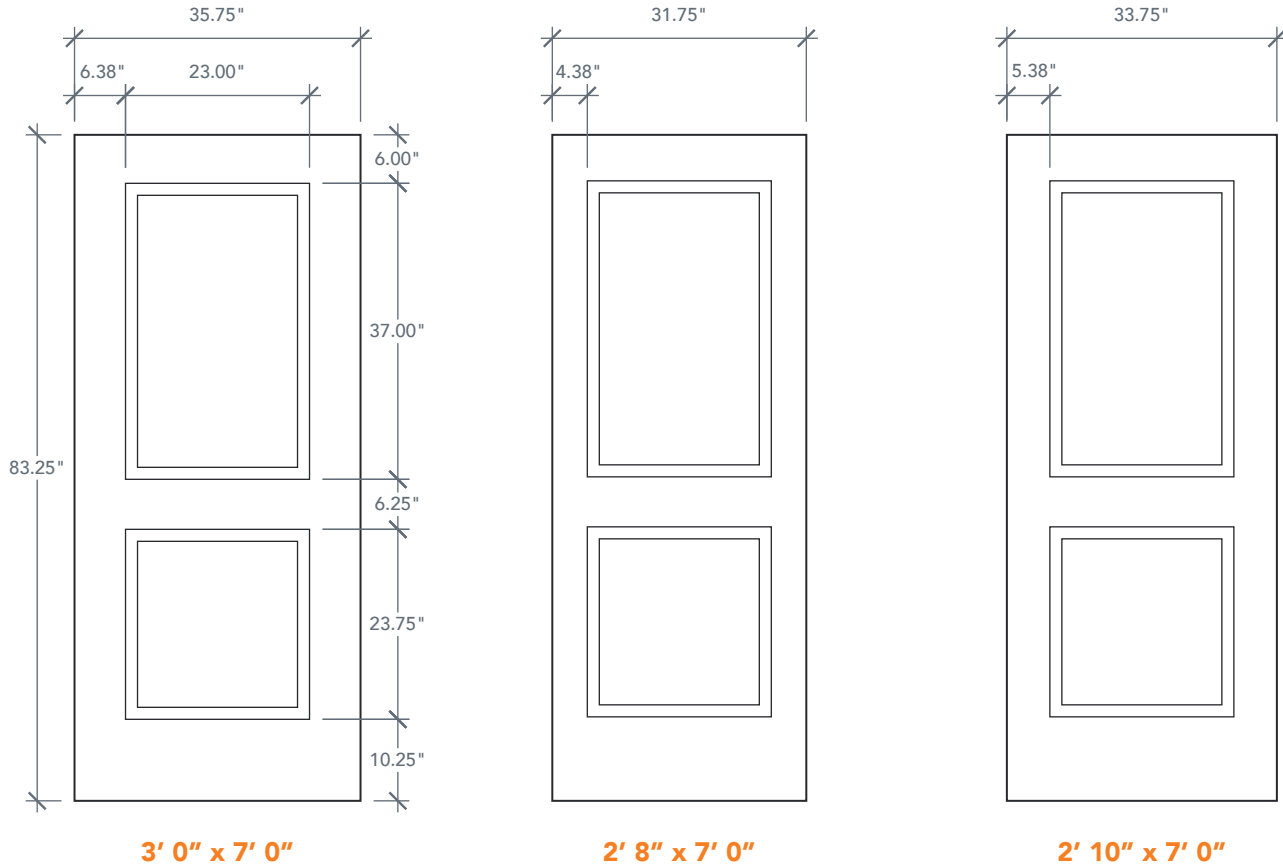
A = DISTANCE FROM TOP OF DOOR TO TOP OF OPENING

7'0" DRS2270 TWO PANEL DOOR

10" BOTTOM RAIL

AVAILABLE SIZING

ARTWORK SCALE: 1/2"=1'



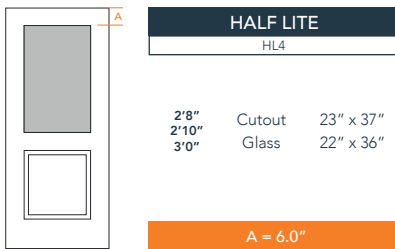
3' 0" x 7' 0"

2' 8" x 7' 0"

2' 10" x 7' 0"

NOTE: BY REQUEST, DOOR HEIGHT COMES IN VARYING DIMENSIONS TO A MINIMUM OF 83". EXCESS WILL BE TAKEN FROM BOTTOM RAIL. ALL OTHER DIMENSIONS WILL REMAIN THE SAME.

CUTOUTS & GLASS



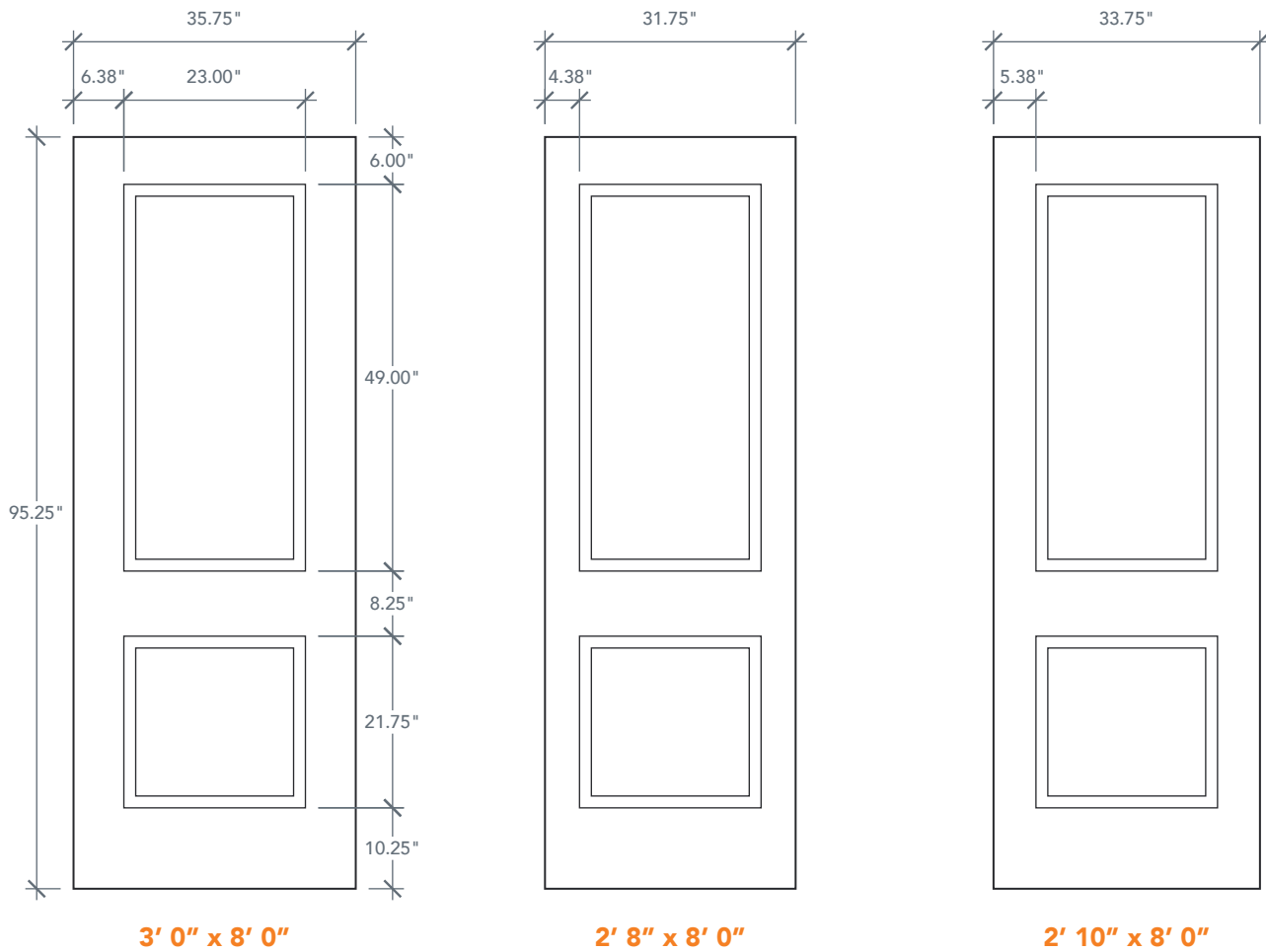
A = DISTANCE FROM TOP OF DOOR TO TOP OF OPENING

8'0" DRS2280 TWO PANEL DOOR

10" BOTTOM RAIL

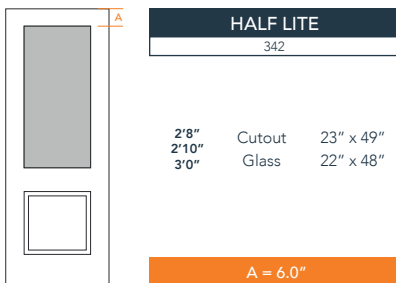
AVAILABLE SIZING

ARTWORK SCALE: 1/2"=1'



NOTE: BY REQUEST, DOOR HEIGHT COMES IN VARYING DIMENSIONS TO A MINIMUM OF 95". EXCESS WILL BE TAKEN FROM BOTTOM RAIL. ALL OTHER DIMENSIONS WILL REMAIN THE SAME.

CUTOUTS & GLASS

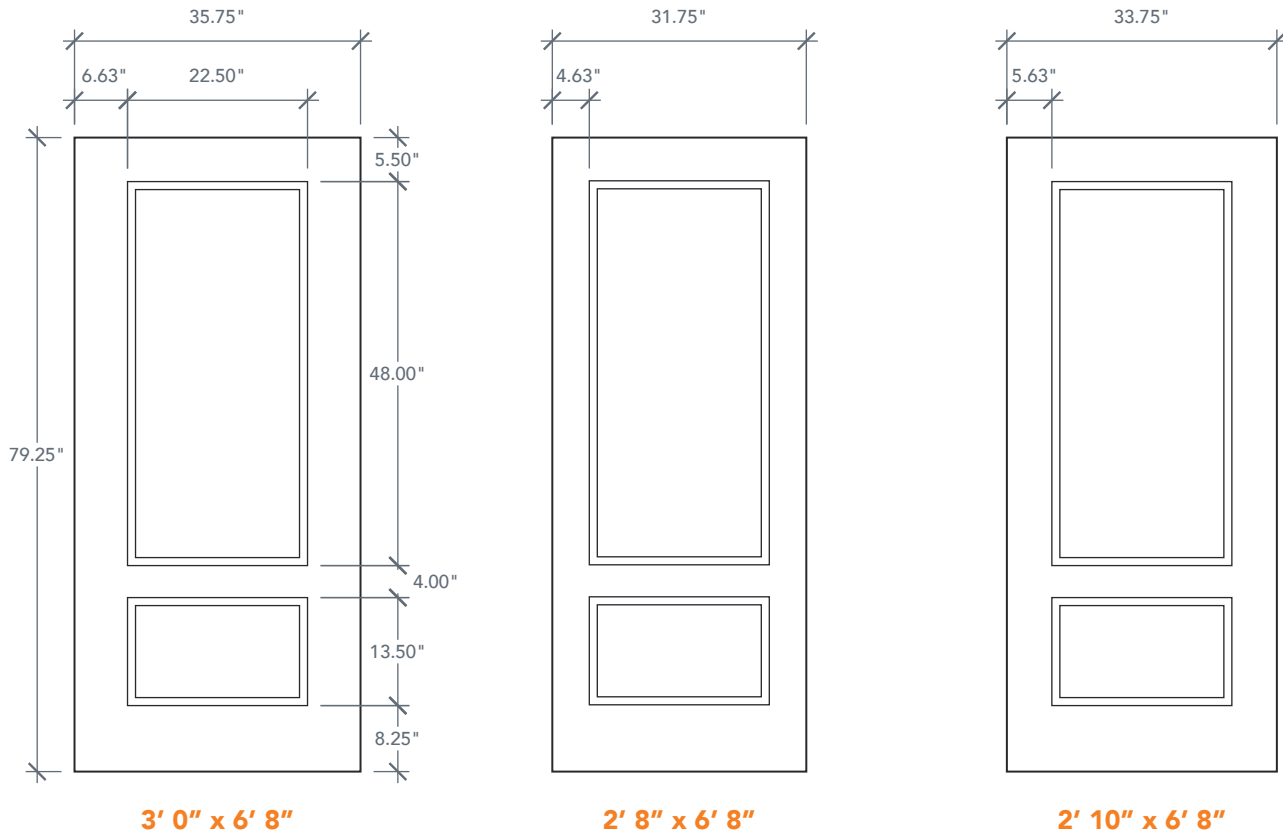


A = DISTANCE FROM TOP OF DOOR TO TOP OF OPENING

6'8" DRS29 3/4 TWO PANEL DOOR

AVAILABLE SIZING

ARTWORK SCALE: 1/2"=1'



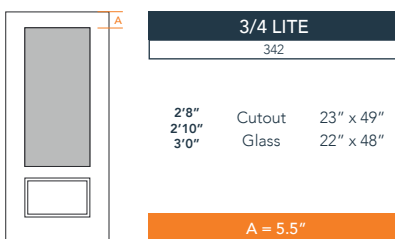
3' 0" x 6' 8"

2' 8" x 6' 8"

2' 10" x 6' 8"

NOTE: BY REQUEST, DOOR HEIGHT COMES IN VARYING DIMENSIONS TO A MINIMUM OF 79". EXCESS WILL BE TAKEN FROM BOTTOM RAIL. ALL OTHER DIMENSIONS WILL REMAIN THE SAME.

CUTOUTS & GLASS

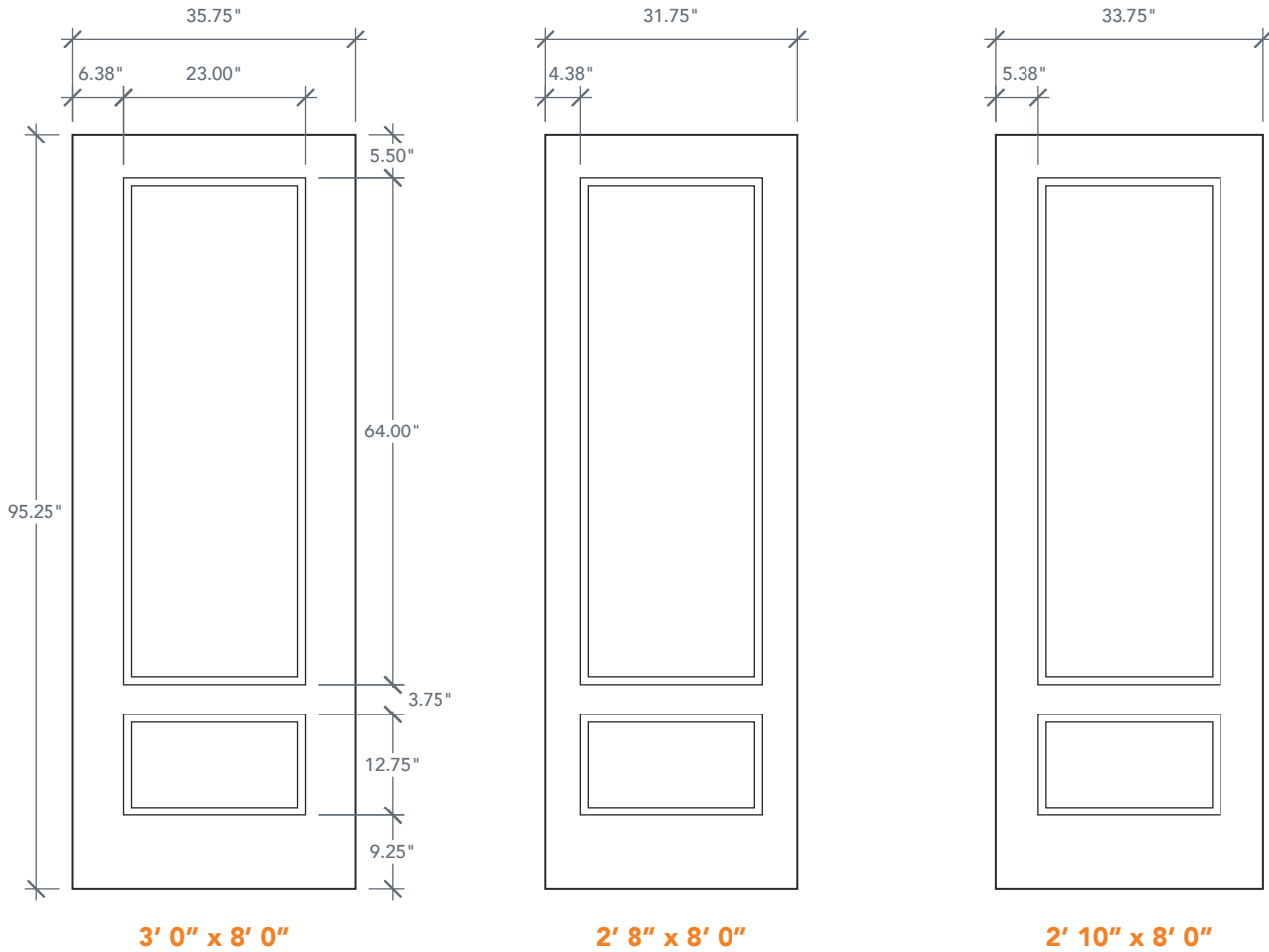


A = DISTANCE FROM TOP OF DOOR TO TOP OF OPENING

8'0" DRS2980 3/4 TWO PANEL DOOR

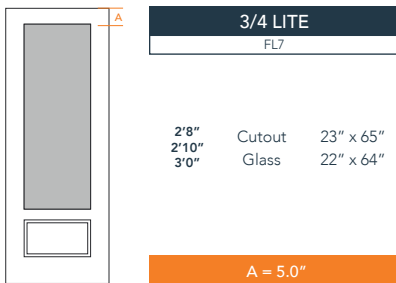
AVAILABLE SIZING

ARTWORK SCALE: 1/2"=1'



NOTE: BY REQUEST, DOOR HEIGHT COMES IN VARYING DIMENSIONS TO A MINIMUM OF 95". EXCESS WILL BE TAKEN FROM BOTTOM RAIL. ALL OTHER DIMENSIONS WILL REMAIN THE SAME.

CUTOUTS & GLASS



A = DISTANCE FROM TOP OF DOOR TO TOP OF OPENING

MATCHING SIDELITES



SLS3080

Available Widths:

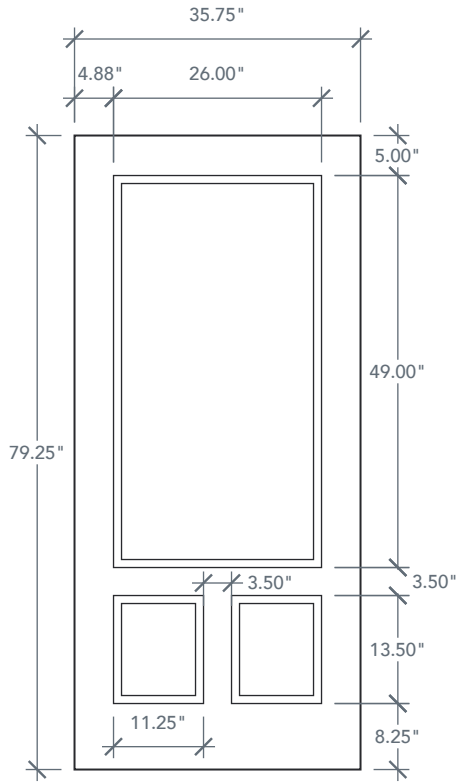
- 1' 0"
- 1' 2"

Spec Page = 156

6'8" DRS3E 3/4 ELITE DOOR

AVAILABLE SIZING

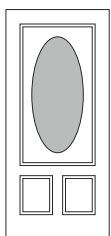
ARTWORK SCALE: 1/2"=1'



3' 0" x 6' 8"

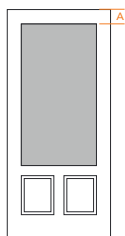
NOTE: BY REQUEST, DOOR HEIGHT COMES IN VARYING DIMENSIONS TO A MINIMUM OF 79". EXCESS WILL BE TAKEN FROM BOTTOM RAIL. ALL OTHER DIMENSIONS WILL REMAIN THE SAME.

CUTOUTS & GLASS



3/4 OVAL LITE
3V2

3'0" Cutout 17.84" x 40.12"
Glass 16.78" x 38.72"



3/4 LITE
343

3'0" Cutout 26" x 49"
Glass 25" x 48"

A = 5.0"

OVAL IS CENTERED IN PANEL HEIGHT

A = DISTANCE FROM TOP OF DOOR TO TOP OF OPENING

MATCHING SIDELITES



SLS3E

Available Widths:

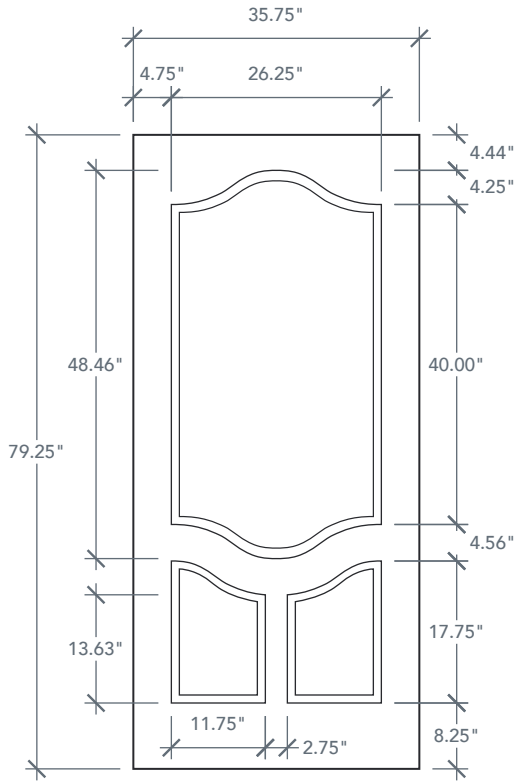
1' 0"
1' 2"

Spec Page = 154

6'8" DRS3P 3/4 PREMIUM DOOR

AVAILABLE SIZING

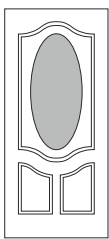
ARTWORK SCALE: 1/2"=1'



3' 0" x 6' 8"

NOTE: BY REQUEST, DOOR HEIGHT COMES IN VARYING DIMENSIONS TO A MINIMUM OF 79". EXCESS WILL BE TAKEN FROM BOTTOM RAIL. ALL OTHER DIMENSIONS WILL REMAIN THE SAME.

CUTOUTS & GLASS

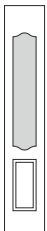


3/4 OVAL LITE
3V2

3'0" Cutout 17.84" x 40.12"
Glass 16.78" x 38.72"

OVAL IS CENTERED IN PANEL HEIGHT

MATCHING SIDELITES



SLS3P

Available Widths:

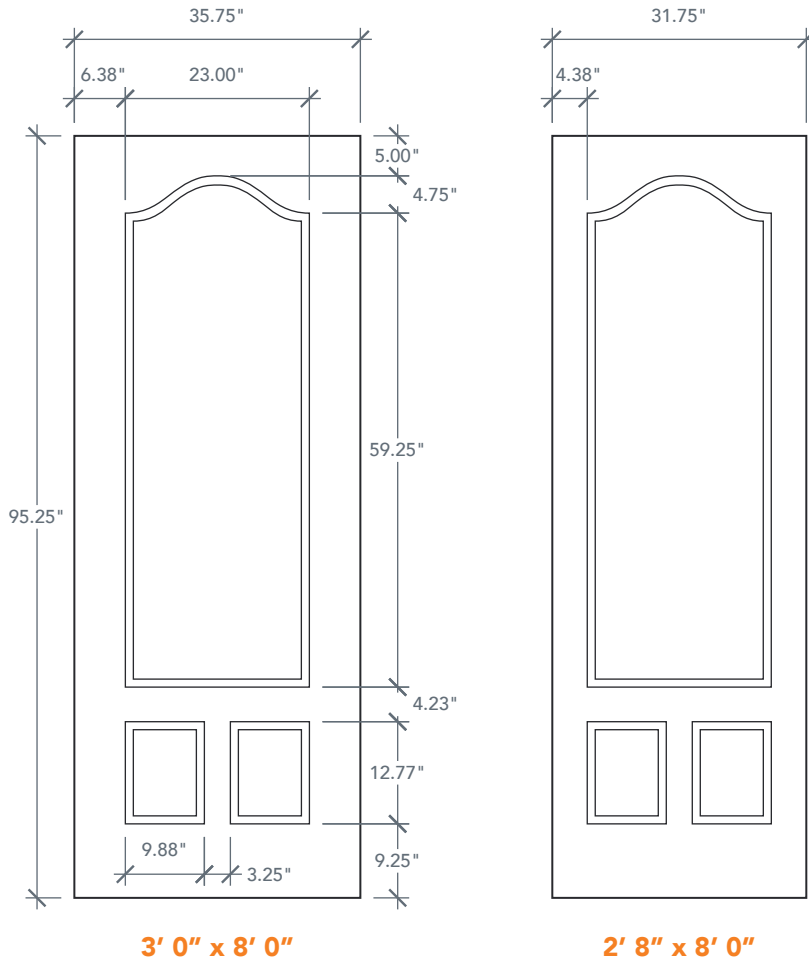
1' 0"
1' 2"

Spec Page = 155

8'0" DRS3080 3/4 THREE PANEL DOOR

AVAILABLE SIZING

ARTWORK SCALE: 1/2"=1'



3' 0" x 8' 0"

2' 8" x 8' 0"

NOTE: BY REQUEST, DOOR HEIGHT COMES IN VARYING DIMENSIONS TO A MINIMUM OF 95". EXCESS WILL BE TAKEN FROM BOTTOM RAIL. ALL OTHER DIMENSIONS WILL REMAIN THE SAME.

CUTOUTS & GLASS

	<p>3/4 OVAL LITE 3V3</p> <p>2'8" Cutout 14 7/8" x 54 7/8" 3'0" Glass 13" x 53"</p> <p>A = 9.75"</p>		<p>3/4 LITE FL7</p> <p>2'8" Cutout 23" x 65" 3'0" Glass 22" x 64"</p> <p>A = 5.0"</p>		<p>FULL LITE FL8</p> <p>2'8" Cutout 23" x 81" 3'0" Glass 22" x 80"</p> <p>A = 5.0"</p>
--	---	--	---	--	--

A = DISTANCE FROM TOP OF DOOR TO TOP OF OPENING

MATCHING SIDELITES

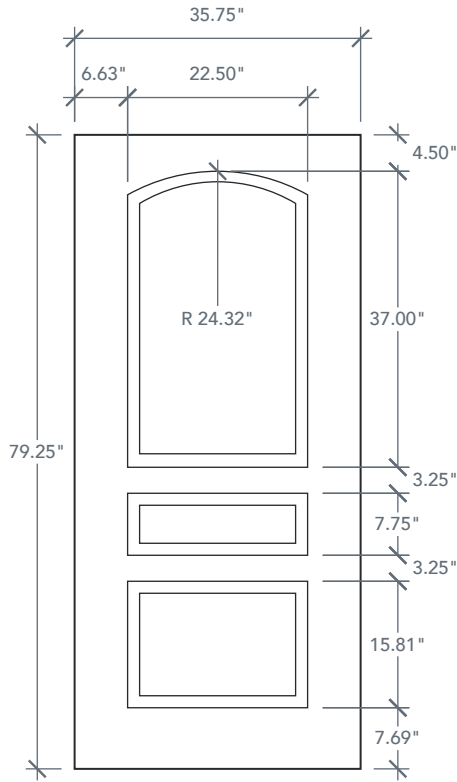
SLS3080
Available Widths:
1' 0"
1' 2"

Spec Page = 156

6'8" DRS31 THREE PANEL DOOR

AVAILABLE SIZING

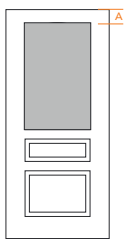
ARTWORK SCALE: 1/2"=1'



3' 0" x 6' 8"

NOTE: BY REQUEST, DOOR HEIGHT COMES IN VARYING DIMENSIONS TO A MINIMUM OF 79". EXCESS WILL BE TAKEN FROM BOTTOM RAIL. ALL OTHER DIMENSIONS WILL REMAIN THE SAME.

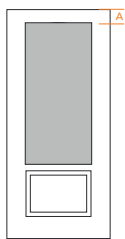
CUTOUTS & GLASS



HALF LITE
HL4

3'0" Cutout 23" x 37"
Glass 22" x 36"

A = 4.5"



3/4 LITE
342

3'0" Cutout 23" x 49"
Glass 22" x 48"

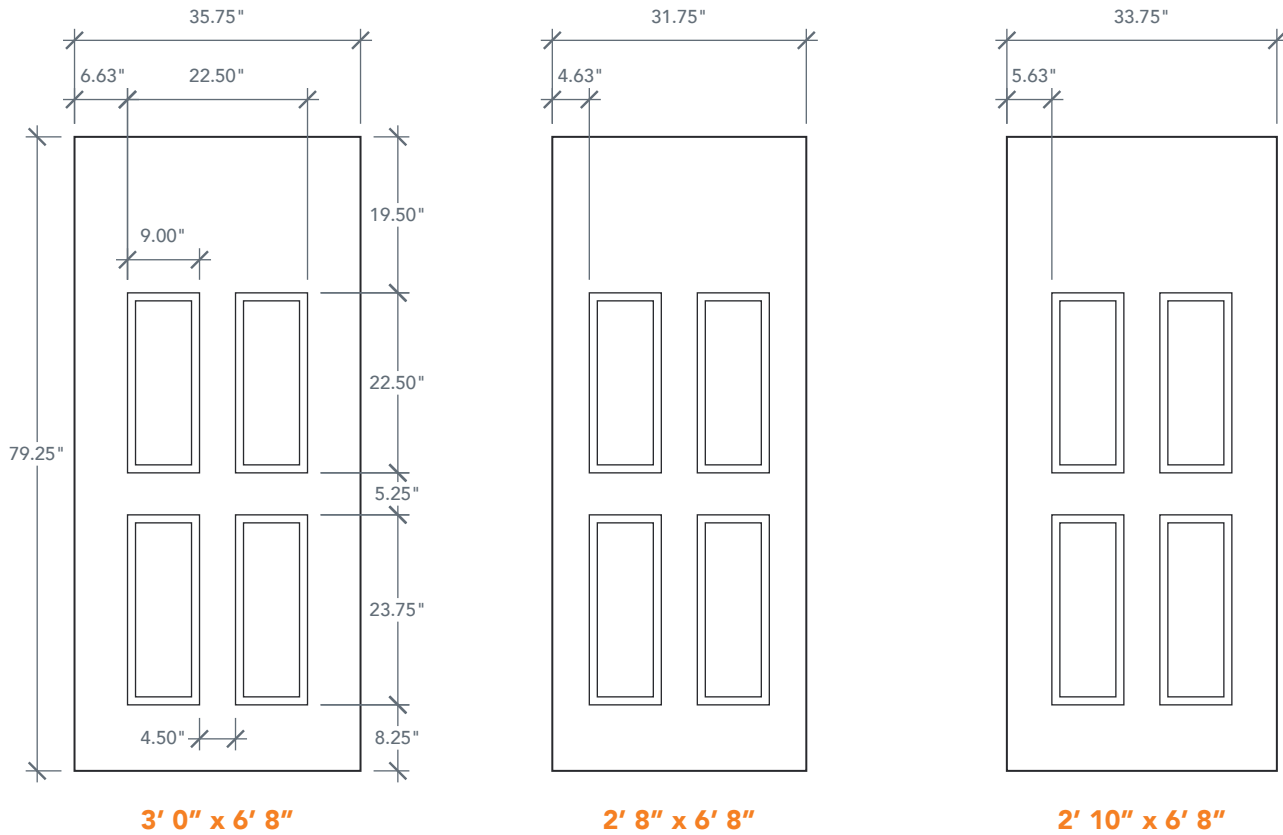
A = 4.5"

A = DISTANCE FROM TOP OF DOOR TO TOP OF OPENING

6'8" DRS40 FOUR PANEL BLANK TOP DOOR

AVAILABLE SIZING

ARTWORK SCALE: 1/2"=1'



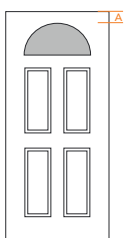
3' 0" x 6' 8"

2' 8" x 6' 8"

2' 10" x 6' 8"

NOTE: BY REQUEST, DOOR HEIGHT COMES IN VARYING DIMENSIONS TO A MINIMUM OF 79". EXCESS WILL BE TAKEN FROM BOTTOM RAIL. ALL OTHER DIMENSIONS WILL REMAIN THE SAME.

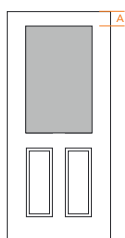
CUTOUTS & GLASS



HALF ROUND LITE
HR1

2'8"	Cutout	23" x 11"
2'10"	Glass	22" x 10"
3'0"		

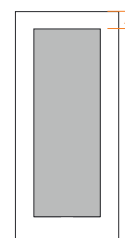
A = 4.0"



HALF LITE
HL4

2'8"	Cutout	23" x 37"
2'10"	Glass	22" x 36"
3'0"		

A = 5.0"



FULL LITE
FL7

2'8"	Cutout	23" x 65"
2'10"	Glass	22" x 64"
3'0"		

A = 6.0"

A = DISTANCE FROM TOP OF DOOR TO TOP OF OPENING

MATCHING SIDELITES



SLS60

Available Widths:

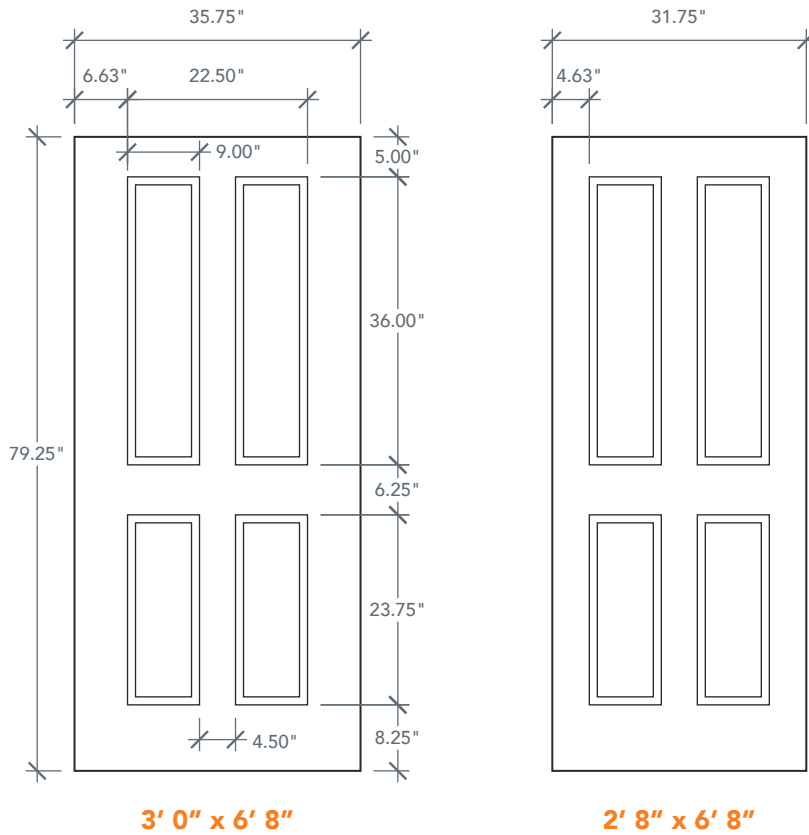
- 1' 0"
- 1' 2"

Spec Page = 159

6'8" DRS41 TRUE FOUR PANEL DOOR

AVAILABLE SIZING

ARTWORK SCALE: 1/2"=1'

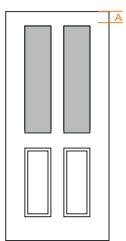


3' 0" x 6' 8"

2' 8" x 6' 8"

NOTE: BY REQUEST, DOOR HEIGHT COMES IN VARYING DIMENSIONS TO A MINIMUM OF 79". EXCESS WILL BE TAKEN FROM BOTTOM RAIL. ALL OTHER DIMENSIONS WILL REMAIN THE SAME.

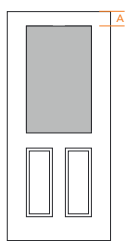
CUTOUTS & GLASS



TWIN LITE
HL2

2'8" Cutout 9" x 37"
3'0" Glass 8" x 36"

A = 5.0"



HALF LITE
HL4

2'8" Cutout 23" x 37"
3'0" Glass 22" x 36"

A = 5.0"

A = DISTANCE FROM TOP OF DOOR TO TOP OF OPENING

MATCHING SIDELITES



SLS60

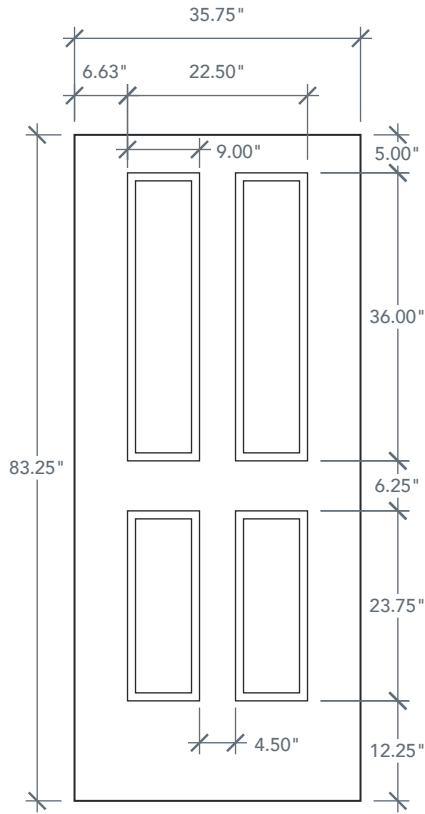
Available Widths:
1' 0"
1' 2"

Spec Page = 159

7'0" DRS4170 TRUE FOUR PANEL DOOR

AVAILABLE SIZING

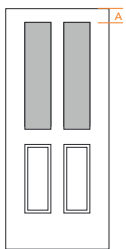
ARTWORK SCALE: 1/2"=1'



3' 0" x 7' 0"

NOTE: BY REQUEST, DOOR HEIGHT COMES IN VARYING DIMENSIONS TO A MINIMUM OF 83". EXCESS WILL BE TAKEN FROM BOTTOM RAIL. ALL OTHER DIMENSIONS WILL REMAIN THE SAME.

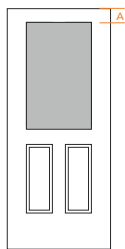
CUTOUTS & GLASS



TWIN LITE
HL2

3'0" Cutout 9" x 37"
Glass 8" x 36"

A = 5.0"



HALF LITE
HL4

3'0" Cutout 23" x 37"
Glass 22" x 36"

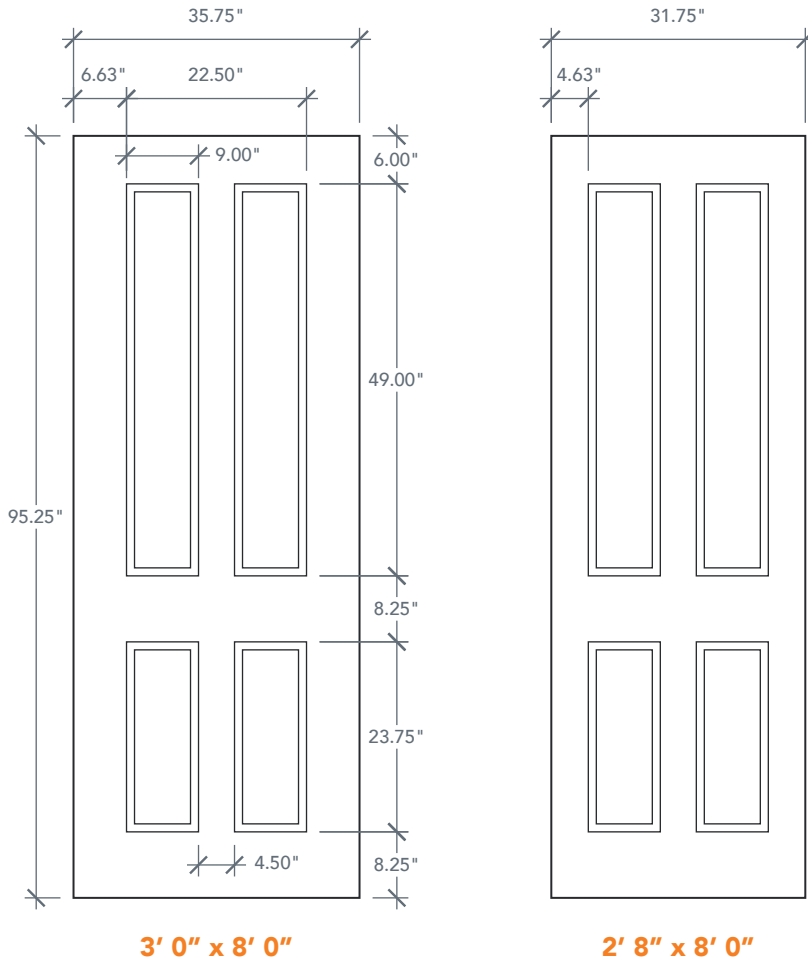
A = 5.0"

A = DISTANCE FROM TOP OF DOOR TO TOP OF OPENING

8'0" DRS4180 TRUE FOUR PANEL DOOR

AVAILABLE SIZING

ARTWORK SCALE: 1/2"=1'



3' 0" x 8' 0"

2' 8" x 8' 0"

NOTE: BY REQUEST, DOOR HEIGHT COMES IN VARYING DIMENSIONS TO A MINIMUM OF 95". EXCESS WILL BE TAKEN FROM BOTTOM RAIL. ALL OTHER DIMENSIONS WILL REMAIN THE SAME.

CUTOUTS & GLASS

	<table border="1"> <tr><th colspan="2">TWIN LITE</th></tr> <tr><td colspan="2">341</td></tr> <tr><td>2'8"</td><td>Cutout</td><td>9" x 49"</td></tr> <tr><td>3'0"</td><td>Glass</td><td>8" x 48"</td></tr> </table> <p style="text-align: center; background-color: #f4a460; padding: 2px;">A = 6.0"</p>	TWIN LITE		341		2'8"	Cutout	9" x 49"	3'0"	Glass	8" x 48"		<table border="1"> <tr><th colspan="2">HALF LITE</th></tr> <tr><td colspan="2">342</td></tr> <tr><td>2'8"</td><td>Cutout</td><td>23" x 49"</td></tr> <tr><td>3'0"</td><td>Glass</td><td>22" x 48"</td></tr> </table> <p style="text-align: center; background-color: #f4a460; padding: 2px;">A = 6.0"</p>	HALF LITE		342		2'8"	Cutout	23" x 49"	3'0"	Glass	22" x 48"		<table border="1"> <tr><th colspan="2">FULL LITE</th></tr> <tr><td colspan="2">FL8</td></tr> <tr><td>2'8"</td><td>Cutout</td><td>23" x 81"</td></tr> <tr><td>3'0"</td><td>Glass</td><td>22" x 80"</td></tr> </table> <p style="text-align: center; background-color: #f4a460; padding: 2px;">A = 6.0"</p>	FULL LITE		FL8		2'8"	Cutout	23" x 81"	3'0"	Glass	22" x 80"
TWIN LITE																																			
341																																			
2'8"	Cutout	9" x 49"																																	
3'0"	Glass	8" x 48"																																	
HALF LITE																																			
342																																			
2'8"	Cutout	23" x 49"																																	
3'0"	Glass	22" x 48"																																	
FULL LITE																																			
FL8																																			
2'8"	Cutout	23" x 81"																																	
3'0"	Glass	22" x 80"																																	

A = DISTANCE FROM TOP OF DOOR TO TOP OF OPENING

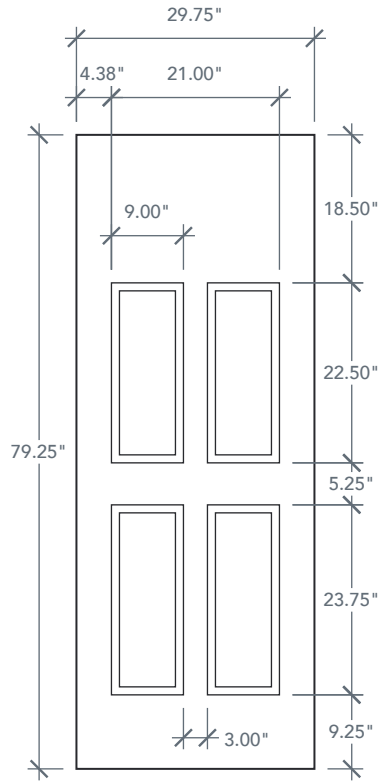
MATCHING SIDELITES

	<p>SLS4180</p> <p>Available Widths:</p> <p>1' 0"</p> <p>1' 2"</p>
<p>Spec Page = 157</p>	

6'8" DRS42 FOUR PANEL BLANK TOP DOOR

AVAILABLE SIZING

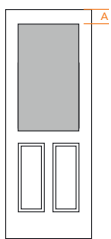
ARTWORK SCALE: 1/2"=1'



2' 6" x 6' 8"

NOTE: BY REQUEST, DOOR HEIGHT COMES IN VARYING DIMENSIONS TO A MINIMUM OF 79". EXCESS WILL BE TAKEN FROM BOTTOM RAIL. ALL OTHER DIMENSIONS WILL REMAIN THE SAME.

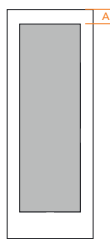
CUTOUTS & GLASS



HALF LITE
HL3

2'6" Cutout 21" x 37"
Glass 20" x 36"

A = 5.0"



FULL LITE
FL5

2'6" Cutout 21" x 65"
Glass 20" x 64"

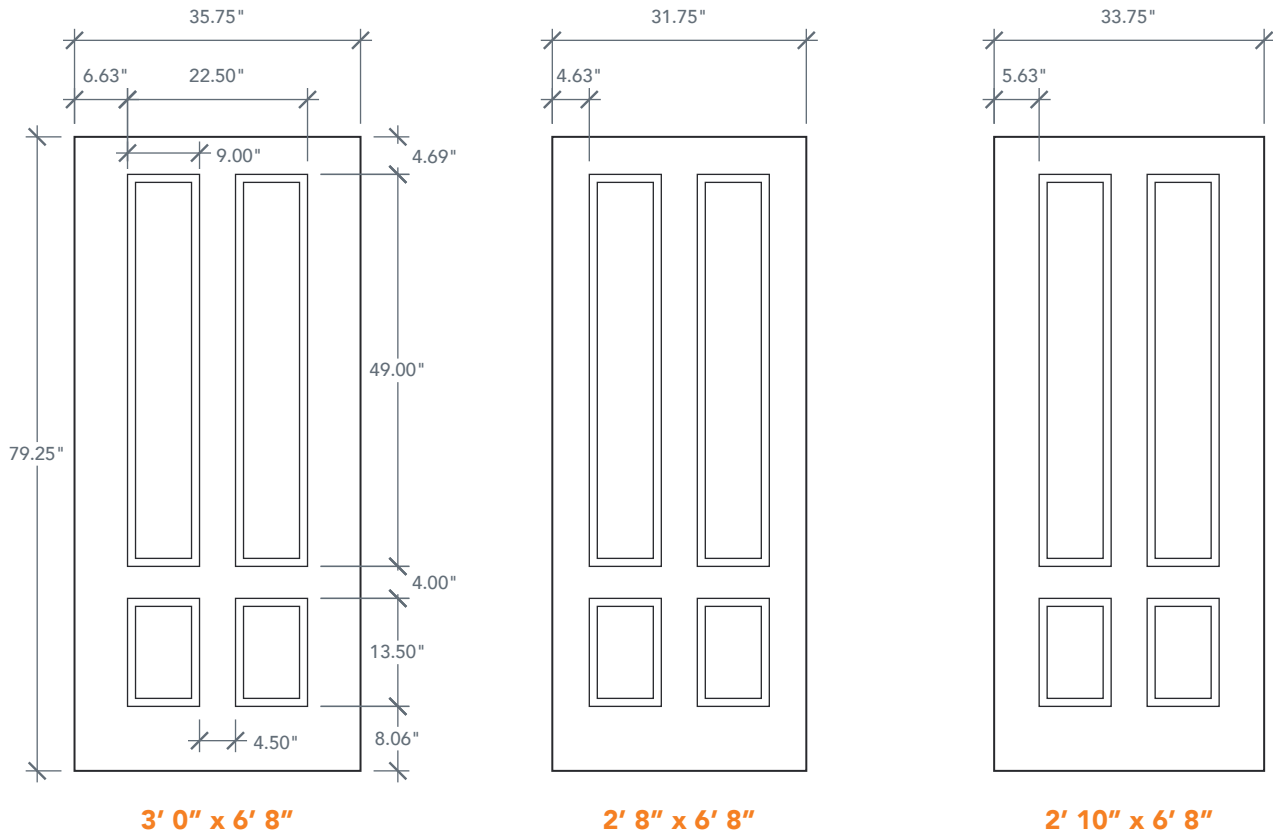
A = 5.0"

A = DISTANCE FROM TOP OF DOOR TO TOP OF OPENING

6'8" DRS49 3/4 FOUR PANEL DOOR

AVAILABLE SIZING

ARTWORK SCALE: 1/2"=1'



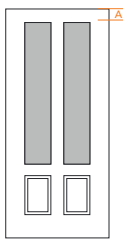
3' 0" x 6' 8"

2' 8" x 6' 8"

2' 10" x 6' 8"

NOTE: BY REQUEST, DOOR HEIGHT COMES IN VARYING DIMENSIONS TO A MINIMUM OF 79". EXCESS WILL BE TAKEN FROM BOTTOM RAIL. ALL OTHER DIMENSIONS WILL REMAIN THE SAME.

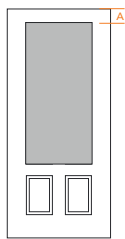
CUTOUTS & GLASS



TWIN LITE
341

2'8" Cutout 9" x 49"
2'10" Glass 8" x 48"
3'0"

A = 4.69"



3/4 LITE
342

2'8" Cutout 23" x 49"
2'10" Glass 22" x 48"
3'0"

A = 4.69"

A = DISTANCE FROM TOP OF DOOR TO TOP OF OPENING

MATCHING SIDELITES



SLS49

Available Widths:

1' 0"
1' 2"

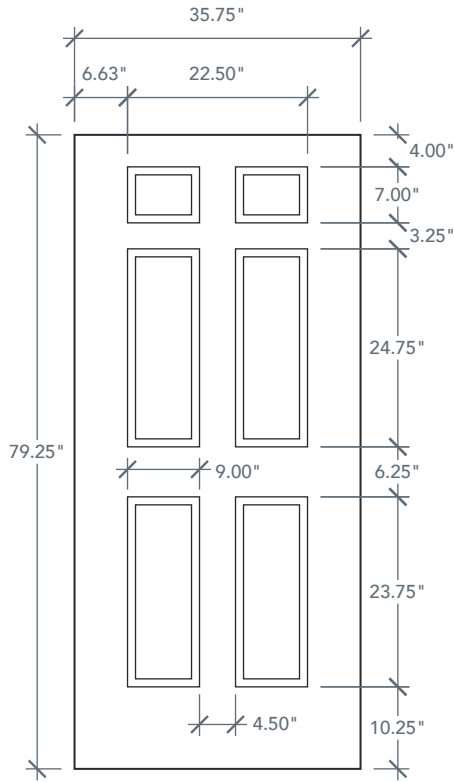
Spec Page = 158

6'8" DRS6B SIX PANEL DOOR

10" BOTTOM RAIL

AVAILABLE SIZING

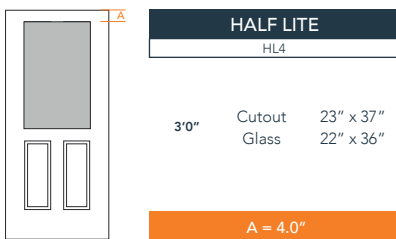
ARTWORK SCALE: 1/2"=1'



3' 0" x 6' 8"

NOTE: BY REQUEST, DOOR HEIGHT COMES IN VARYING DIMENSIONS TO A MINIMUM OF 79". EXCESS WILL BE TAKEN FROM BOTTOM RAIL. ALL OTHER DIMENSIONS WILL REMAIN THE SAME.

CUTOUTS & GLASS

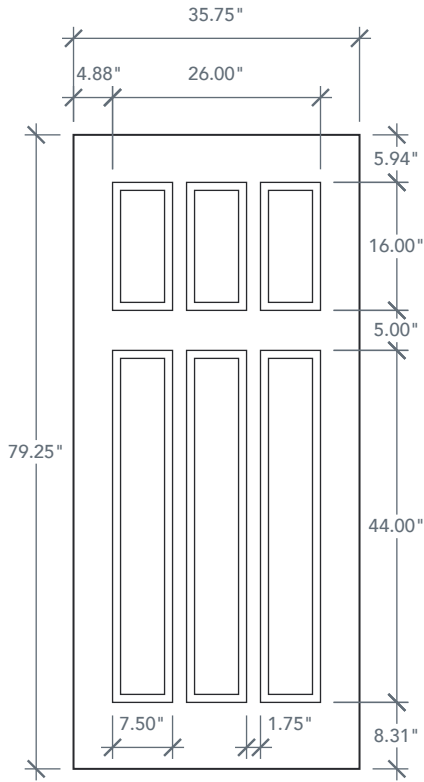


A = DISTANCE FROM TOP OF DOOR TO TOP OF OPENING

6'8" DRS6C SIX PANEL CRAFTSMAN DOOR

AVAILABLE SIZING

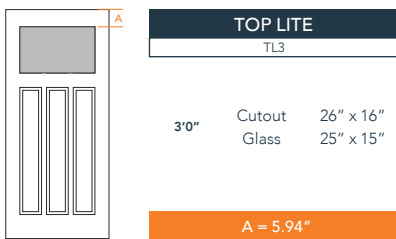
ARTWORK SCALE: 1/2"=1'



3' 0" x 6' 8"

NOTE: BY REQUEST, DOOR HEIGHT COMES IN VARYING DIMENSIONS TO A MINIMUM OF 79". EXCESS WILL BE TAKEN FROM BOTTOM RAIL. ALL OTHER DIMENSIONS WILL REMAIN THE SAME.

CUTOUTS & GLASS

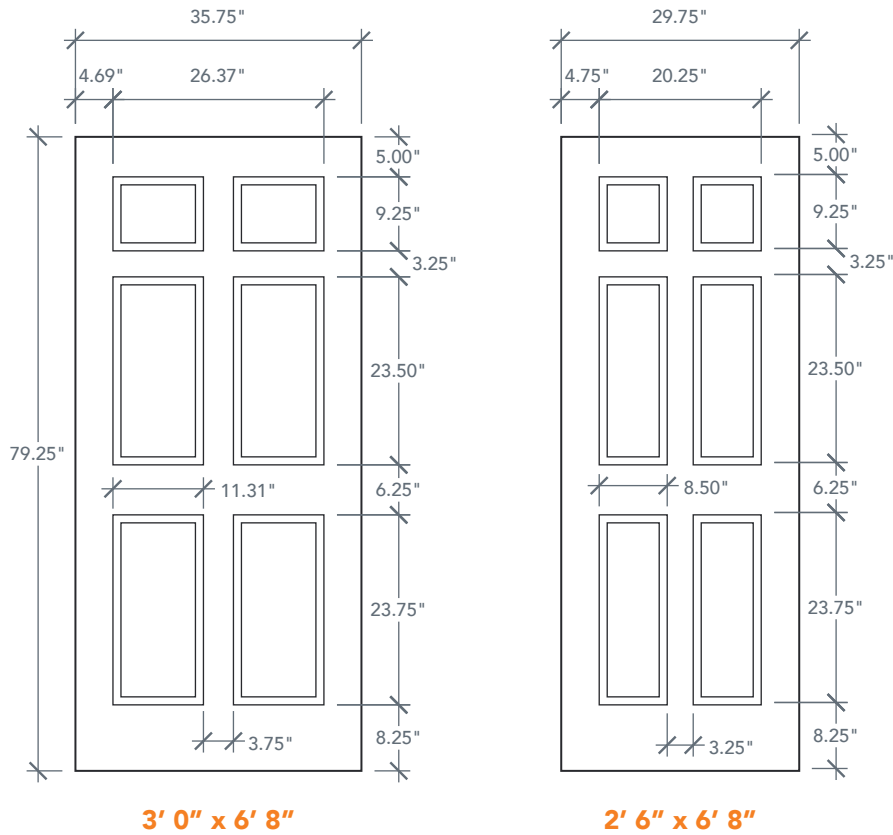


A = DISTANCE FROM TOP OF DOOR TO TOP OF OPENING

6'8" DRS60 SIX PANEL DOOR

AVAILABLE SIZING

ARTWORK SCALE: 1/2"=1'



NOTE: BY REQUEST, DOOR HEIGHT COMES IN VARYING DIMENSIONS TO A MINIMUM OF 79". EXCESS WILL BE TAKEN FROM BOTTOM RAIL. ALL OTHER DIMENSIONS WILL REMAIN THE SAME.

CUTOUTS & GLASS

TOP LITE	
TL5	
2'6"	Cutout 21" x 9 1/4" Glass 20" x 8 1/4"
TL1	
3'0"	Cutout 26 1/2" x 9 1/4" Glass 25 1/2" x 8 1/4"
A = 5.0"	

A = DISTANCE FROM TOP OF DOOR TO TOP OF OPENING

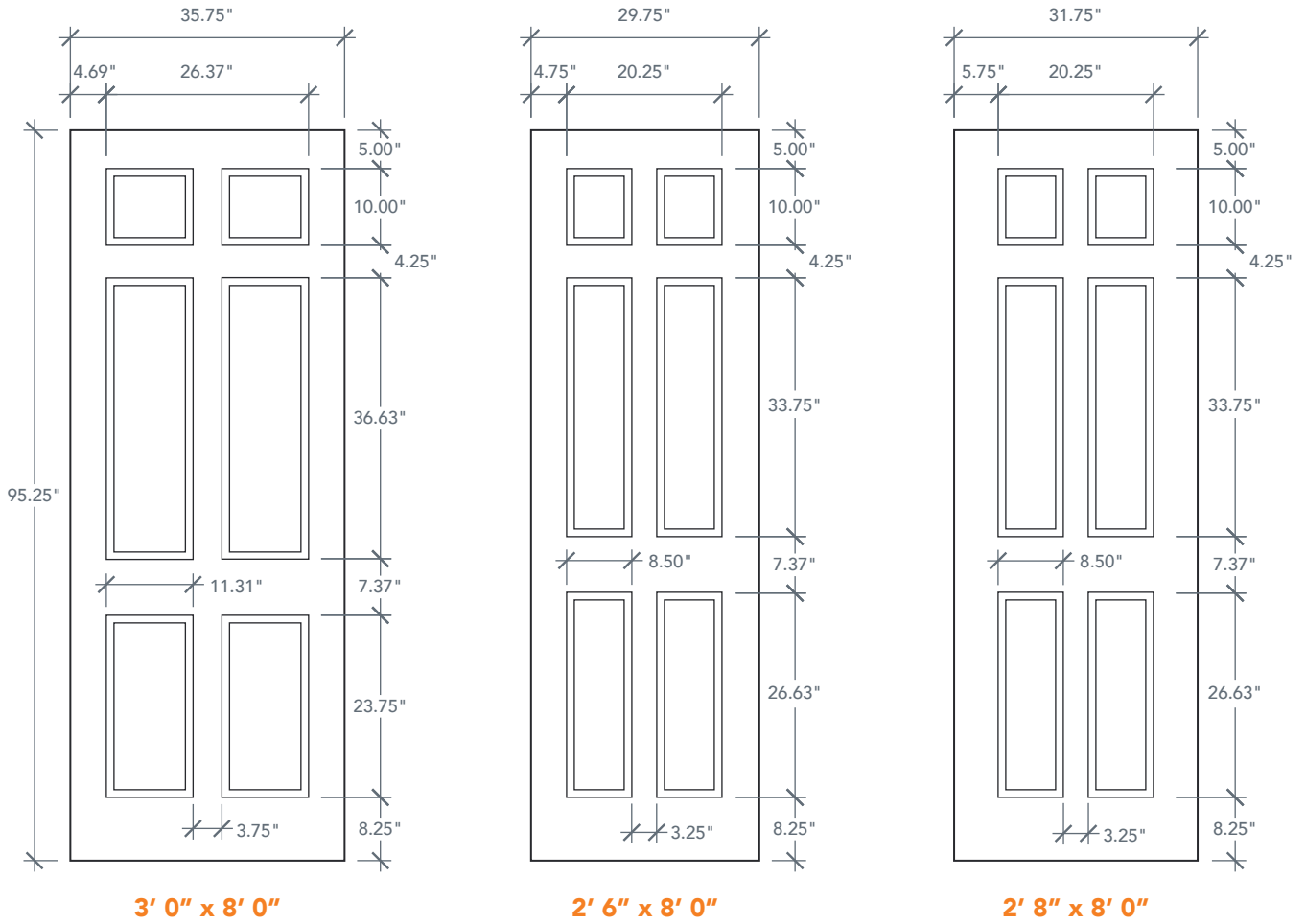
MATCHING SIDELITES

	SLS60
	Available Widths: 1' 0" 1' 2"
	Spec Page = 159

8'0" DRS6080 SIX PANEL DOOR

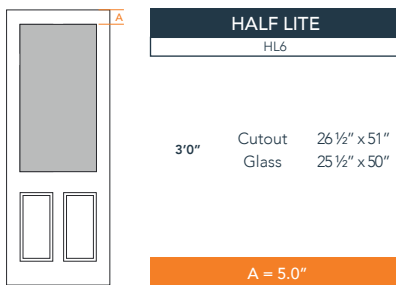
AVAILABLE SIZING

ARTWORK SCALE: 1/2"=1'



NOTE: BY REQUEST, DOOR HEIGHT COMES IN VARYING DIMENSIONS TO A MINIMUM OF 95". EXCESS WILL BE TAKEN FROM BOTTOM RAIL. ALL OTHER DIMENSIONS WILL REMAIN THE SAME.

CUTOUTS & GLASS



A = DISTANCE FROM TOP OF DOOR TO TOP OF OPENING

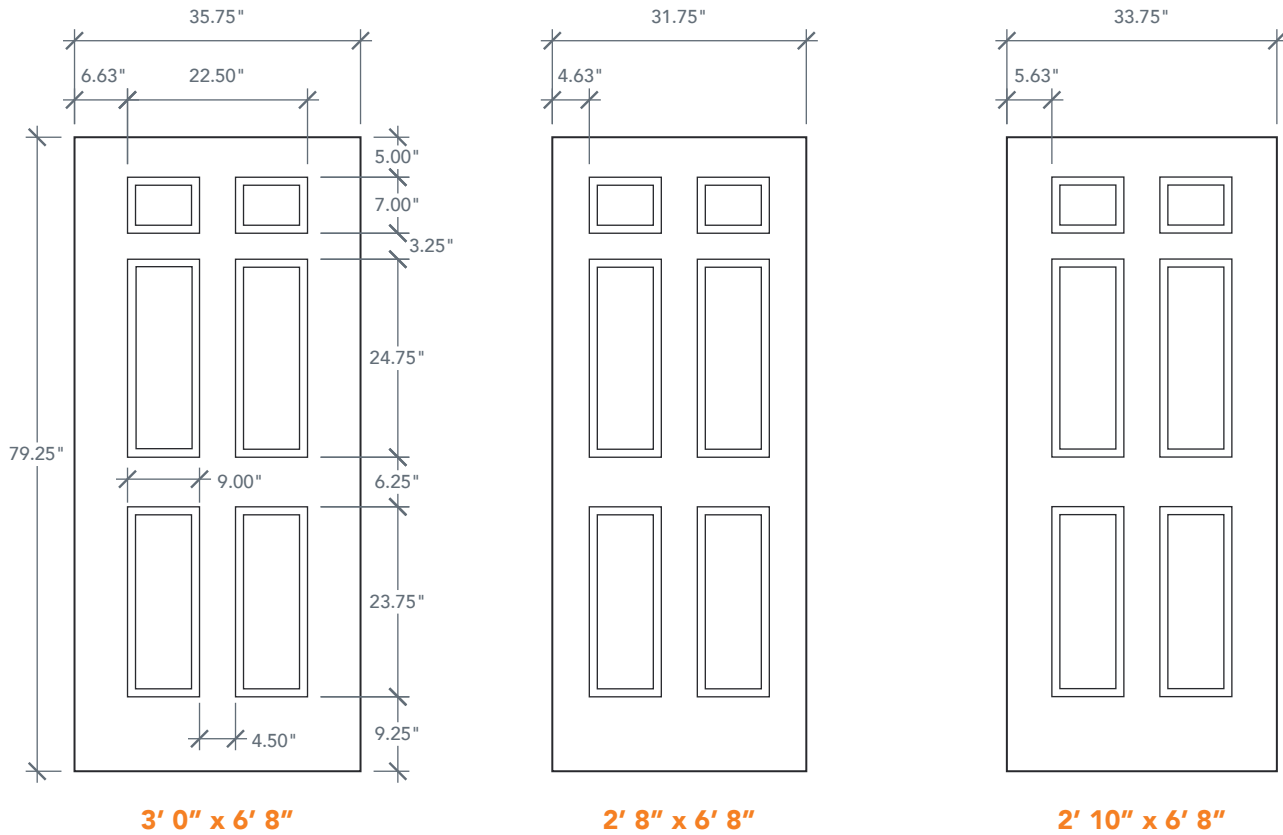
MATCHING SIDELITES



6'8" DRS61 SIX PANEL UTILITY DOOR

AVAILABLE SIZING

ARTWORK SCALE: 1/2"=1'



NOTE: BY REQUEST, DOOR HEIGHT COMES IN VARYING DIMENSIONS TO A MINIMUM OF 79". EXCESS WILL BE TAKEN FROM BOTTOM RAIL. ALL OTHER DIMENSIONS WILL REMAIN THE SAME.

CUTOUTS & GLASS

	<p>TWIN LITE HL2</p> <p>2'8" Cutout 9" x 37" 2'10" Glass 8" x 36" 3'0"</p> <p>A = 5.0"</p>		<p>HALF LITE HL4</p> <p>2'8" Cutout 23" x 37" 2'10" Glass 22" x 36" 3'0"</p> <p>A = 5.0"</p>		<p>FULL LITE FL7</p> <p>2'8" Cutout 23" x 65" 2'10" Glass 22" x 64" 3'0"</p> <p>A = 5.0"</p>
--	---	--	---	--	---

A = DISTANCE FROM TOP OF DOOR TO TOP OF OPENING

MATCHING SIDELITES

SLS61

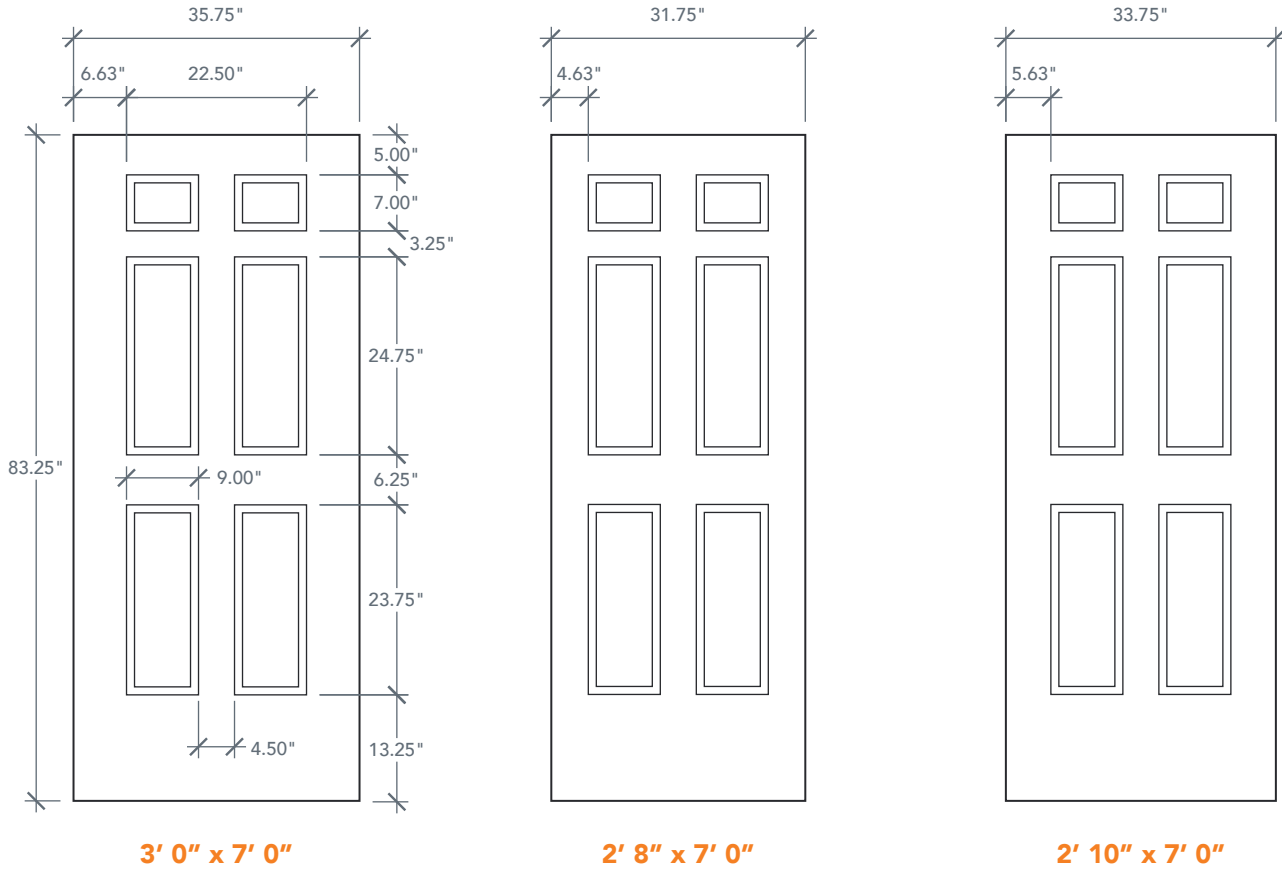
Available Widths:
1' 0"
1' 2"

Spec Page = 160

7'0" DRS6170 SIX PANEL UTILITY DOOR

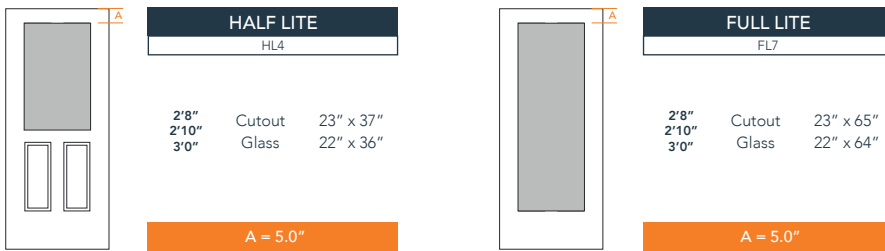
AVAILABLE SIZING

ARTWORK SCALE: 1/2"=1'



NOTE: BY REQUEST, DOOR HEIGHT COMES IN VARYING DIMENSIONS TO A MINIMUM OF 83". EXCESS WILL BE TAKEN FROM BOTTOM RAIL. ALL OTHER DIMENSIONS WILL REMAIN THE SAME.

CUTOUTS & GLASS



A = DISTANCE FROM TOP OF DOOR TO TOP OF OPENING

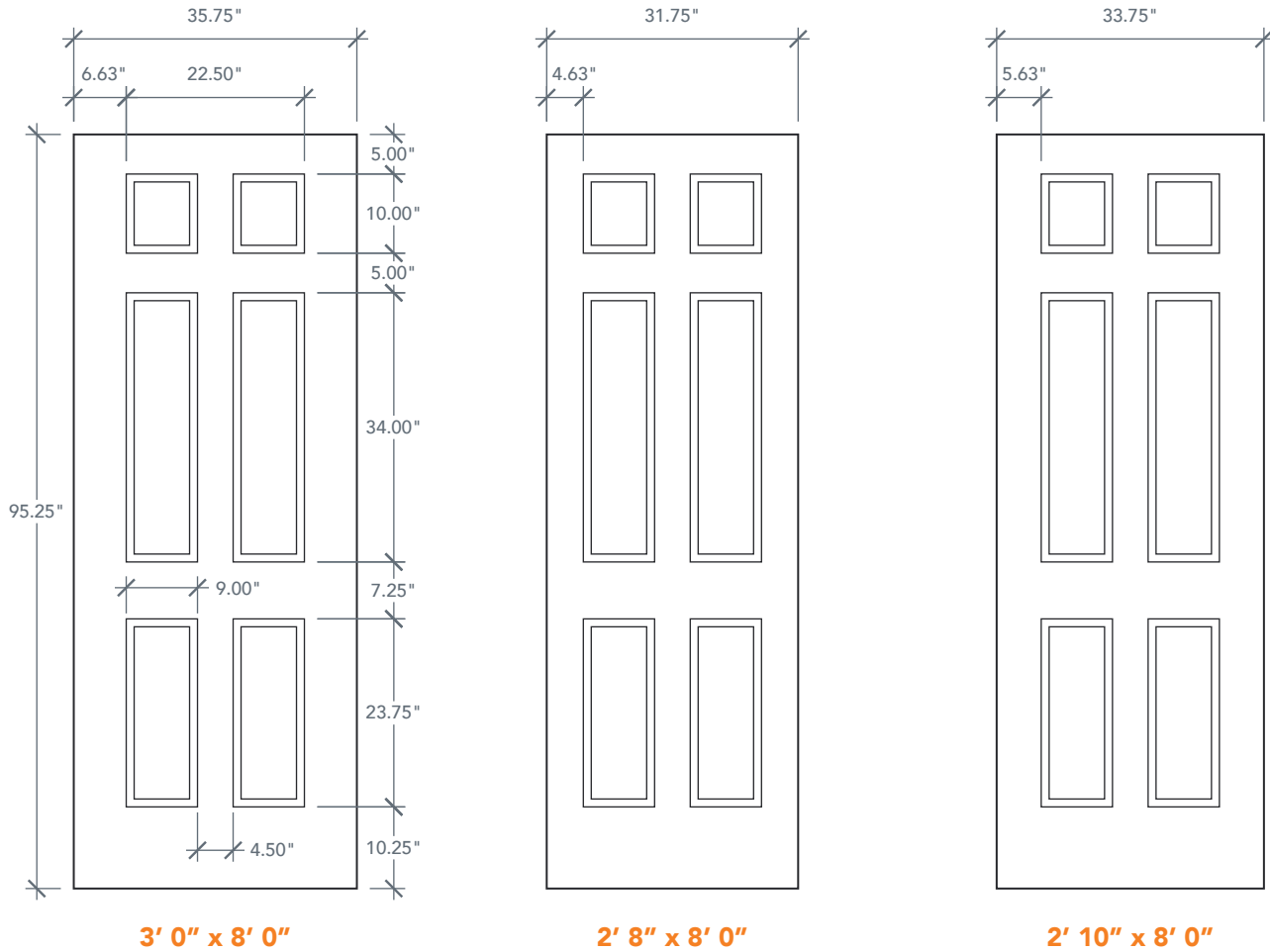
MATCHING SIDELITES



8'0" DRS6180 SIX PANEL UTILITY DOOR

AVAILABLE SIZING

ARTWORK SCALE: 1/2"=1'



3' 0" x 8' 0"

2' 8" x 8' 0"

2' 10" x 8' 0"

NOTE: BY REQUEST, DOOR HEIGHT COMES IN VARYING DIMENSIONS TO A MINIMUM OF 95". EXCESS WILL BE TAKEN FROM BOTTOM RAIL. ALL OTHER DIMENSIONS WILL REMAIN THE SAME.

CUTOUTS & GLASS

HALF LITE

342

2'8" Cutout 23" x 49"

2'10" Glass 22" x 48"

3'0"

A = 5.0"

FULL LITE

FL8

2'8" Cutout 23" x 81"

2'10" Glass 22" x 80"

3'0"

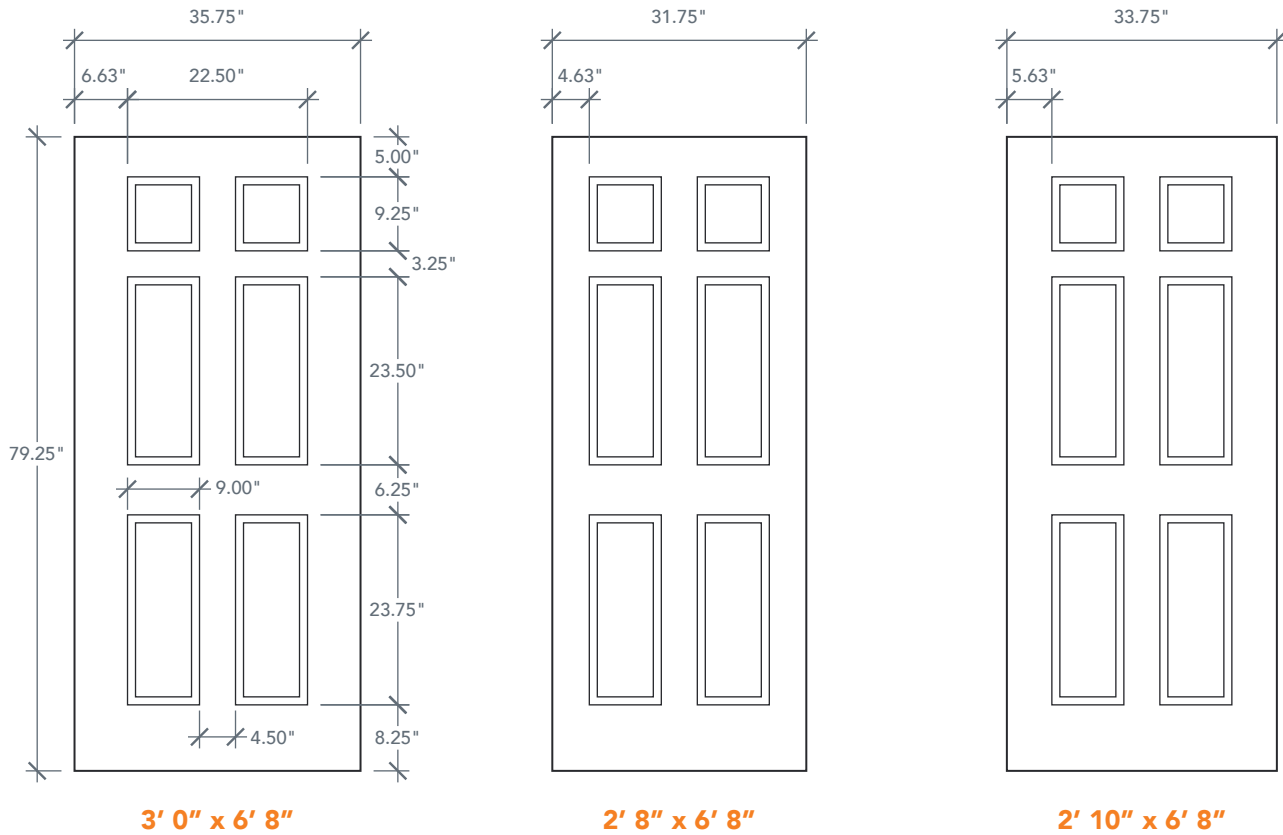
A = 5.0"

A = DISTANCE FROM TOP OF DOOR TO TOP OF OPENING

6'8" DRS63 TRUE SIX PANEL NARROW DOOR

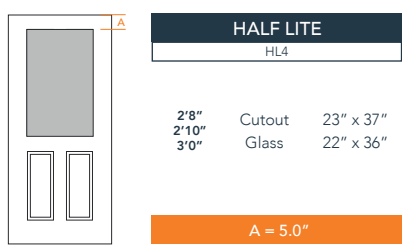
AVAILABLE SIZING

ARTWORK SCALE: 1/2"=1'



NOTE: BY REQUEST, DOOR HEIGHT COMES IN VARYING DIMENSIONS TO A MINIMUM OF 79". EXCESS WILL BE TAKEN FROM BOTTOM RAIL. ALL OTHER DIMENSIONS WILL REMAIN THE SAME.

CUTOUTS & GLASS



A = DISTANCE FROM TOP OF DOOR TO TOP OF OPENING

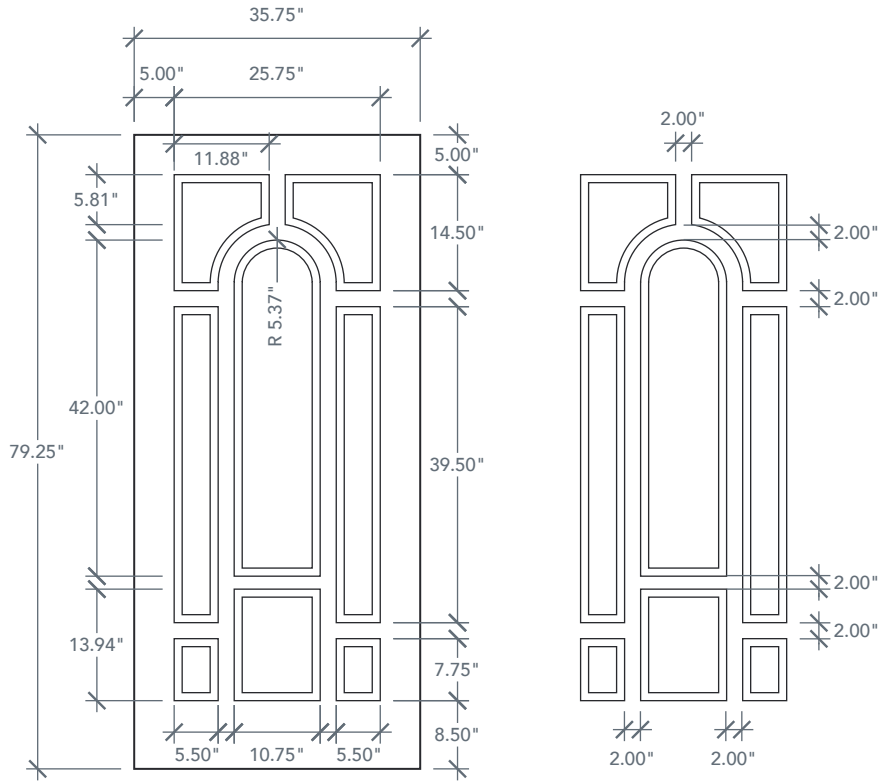
MATCHING SIDELITES



6'8" DRS80 EIGHT PANEL DOOR

AVAILABLE SIZING

ARTWORK SCALE: 1/2"=1'

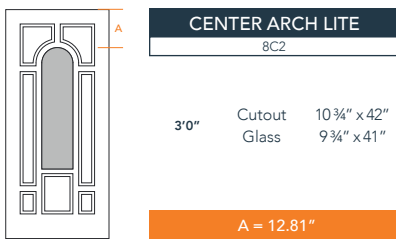


3' 0" x 6' 8"

Panel Spacing Detail

NOTE: BY REQUEST, DOOR HEIGHT COMES IN VARYING DIMENSIONS TO A MINIMUM OF 79". EXCESS WILL BE TAKEN FROM BOTTOM RAIL. ALL OTHER DIMENSIONS WILL REMAIN THE SAME.

CUTOUTS & GLASS



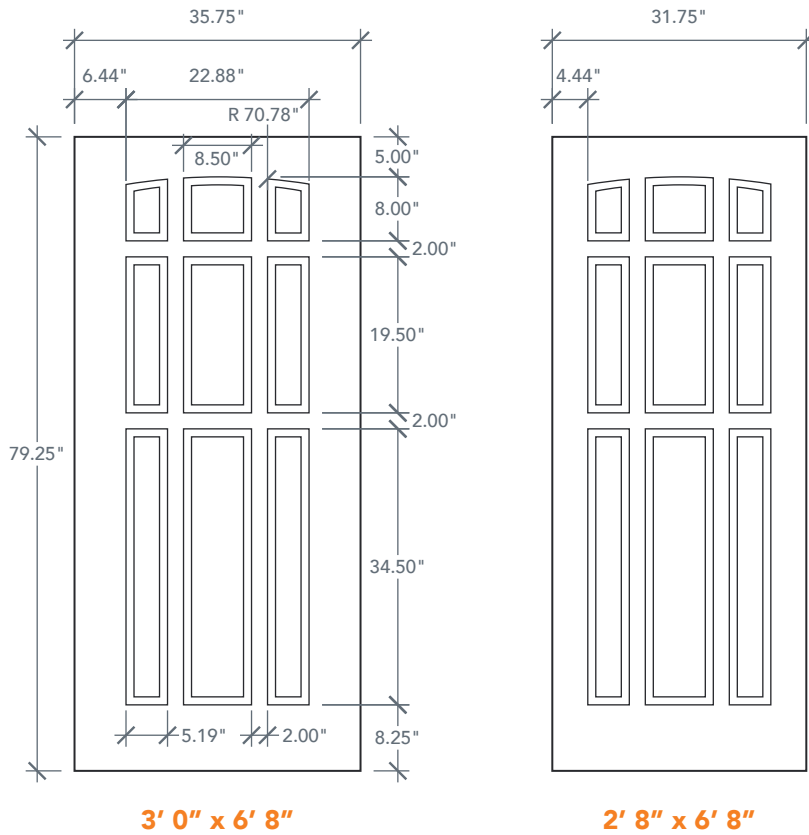
A = DISTANCE FROM TOP OF DOOR TO TOP OF OPENING

MATCHING SIDELITES



6'8" DRS90 NINE PANEL DOOR

AVAILABLE SIZING

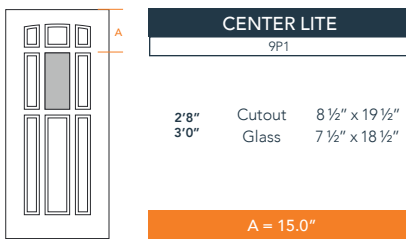


3' 0" x 6' 8"

2' 8" x 6' 8"

NOTE: BY REQUEST, DOOR HEIGHT COMES IN VARYING DIMENSIONS TO A MINIMUM OF 79". EXCESS WILL BE TAKEN FROM BOTTOM RAIL. ALL OTHER DIMENSIONS WILL REMAIN THE SAME.

CUTOUTS & GLASS

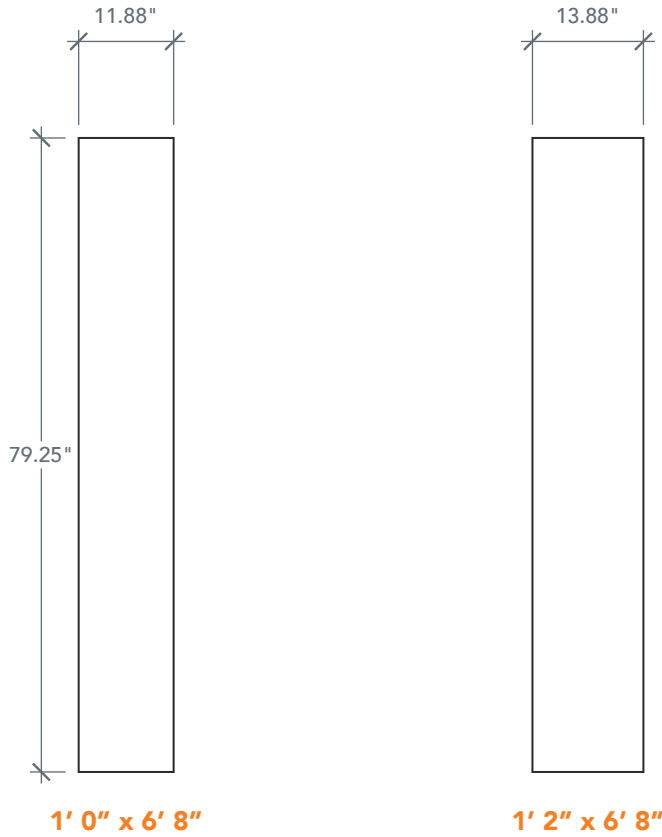


A = DISTANCE FROM TOP OF DOOR TO TOP OF OPENING

6'8" SLS00 FLUSH SIDELITE

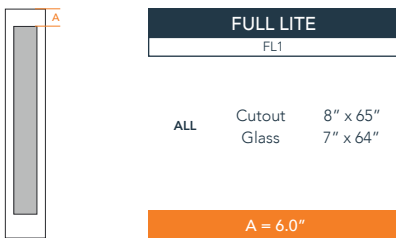
AVAILABLE SIZING

ARTWORK SCALE: 1/2"=1'



NOTE: BY REQUEST, SIDELITE HEIGHT COMES IN VARYING DIMENSIONS TO A MINIMUM OF 79". EXCESS WILL BE TAKEN FROM BOTTOM RAIL. ALL OTHER DIMENSIONS WILL REMAIN THE SAME.

CUTOUTS & GLASS



A = DISTANCE FROM TOP OF DOOR TO TOP OF OPENING

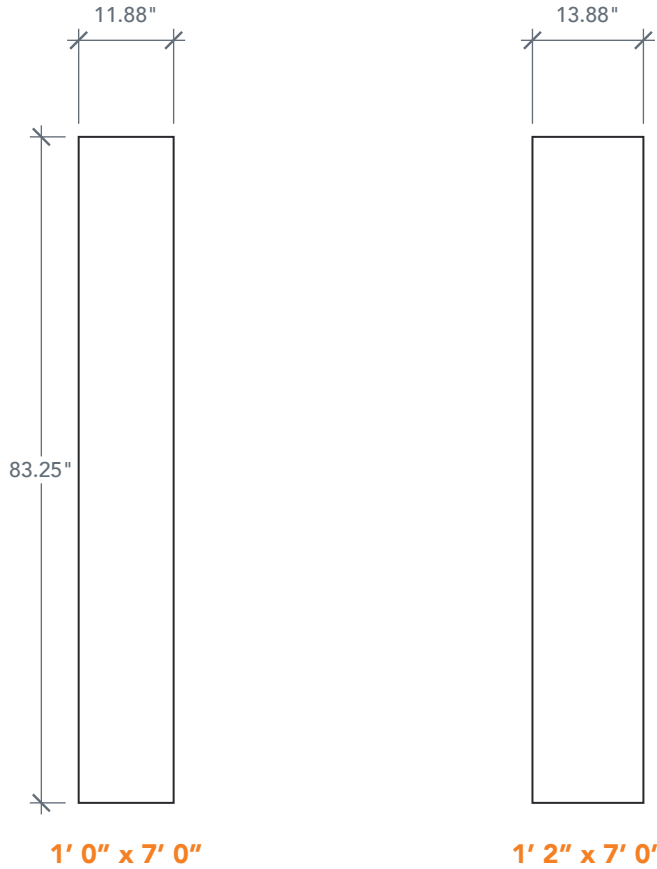
MATCHING DOORS



7'0" SLS0070 FLUSH SIDELITE

AVAILABLE SIZING

ARTWORK SCALE: 1/2"=1'



NOTE: BY REQUEST, SIDELITE HEIGHT COMES IN VARYING DIMENSIONS TO A MINIMUM OF 83". EXCESS WILL BE TAKEN FROM BOTTOM RAIL. ALL OTHER DIMENSIONS WILL REMAIN THE SAME.

CUTOUTS & GLASS



A = DISTANCE FROM TOP OF DOOR TO TOP OF OPENING

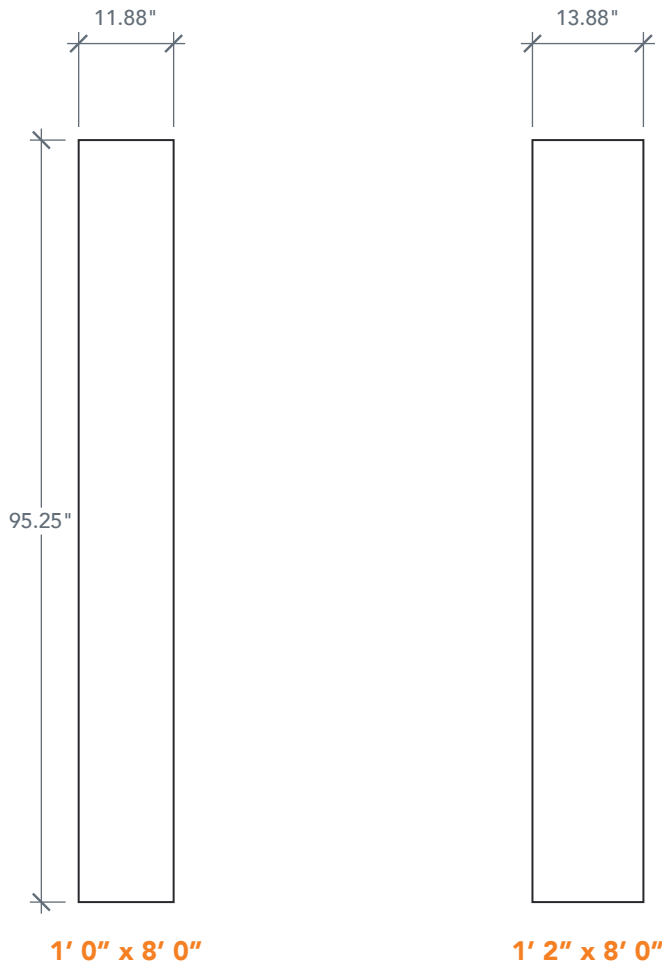
MATCHING DOORS



8'0" SLS0080 FLUSH SIDELITE

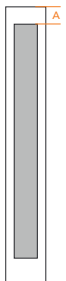
AVAILABLE SIZING

ARTWORK SCALE: 1/2"=1'



NOTE: BY REQUEST, SIDELITE HEIGHT COMES IN VARYING DIMENSIONS TO A MINIMUM OF 95". EXCESS WILL BE TAKEN FROM BOTTOM RAIL. ALL OTHER DIMENSIONS WILL REMAIN THE SAME.

CUTOUTS & GLASS



FULL LITE	
FL2	

0.7825 in	Cutout	9" x 81"
	Glass	8" x 80"

A = 6.0"

A = DISTANCE FROM TOP OF DOOR TO TOP OF OPENING

MATCHING DOORS



DRS0080

Available Widths:

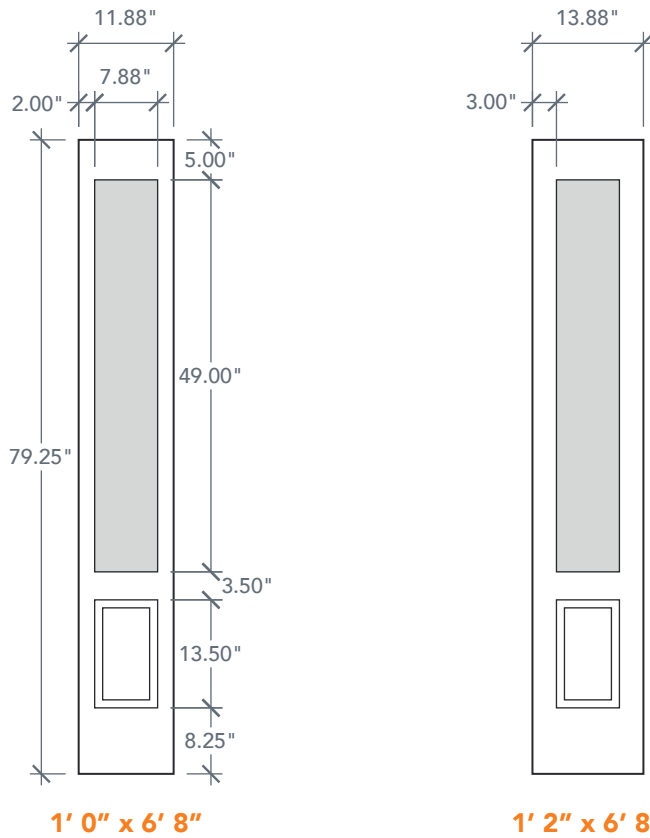
2' 0"	2' 10"
2' 4"	3' 0"
2' 6"	3' 6"
2' 8"	

Spec Page = 119

6'8" SLS3E 3/4 ELITE SIDELITE

AVAILABLE SIZING

ARTWORK SCALE: 1/2"=1'

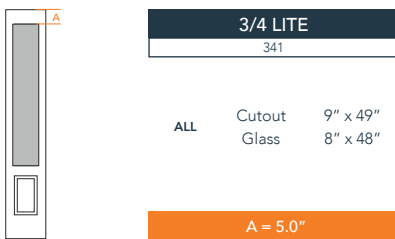


1' 0" x 6' 8"

1' 2" x 6' 8"

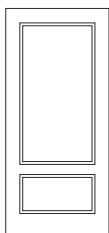
NOTE: BY REQUEST, SIDELITE HEIGHT COMES IN VARYING DIMENSIONS TO A MINIMUM OF 79". EXCESS WILL BE TAKEN FROM BOTTOM RAIL. ALL OTHER DIMENSIONS WILL REMAIN THE SAME.

CUTOUTS & GLASS



A = DISTANCE FROM TOP OF DOOR TO TOP OF OPENING

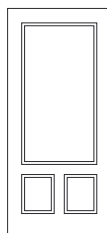
MATCHING DOORS



DRS20

Available Widths:
3' 0"

Spec Page = 125



DRS3E

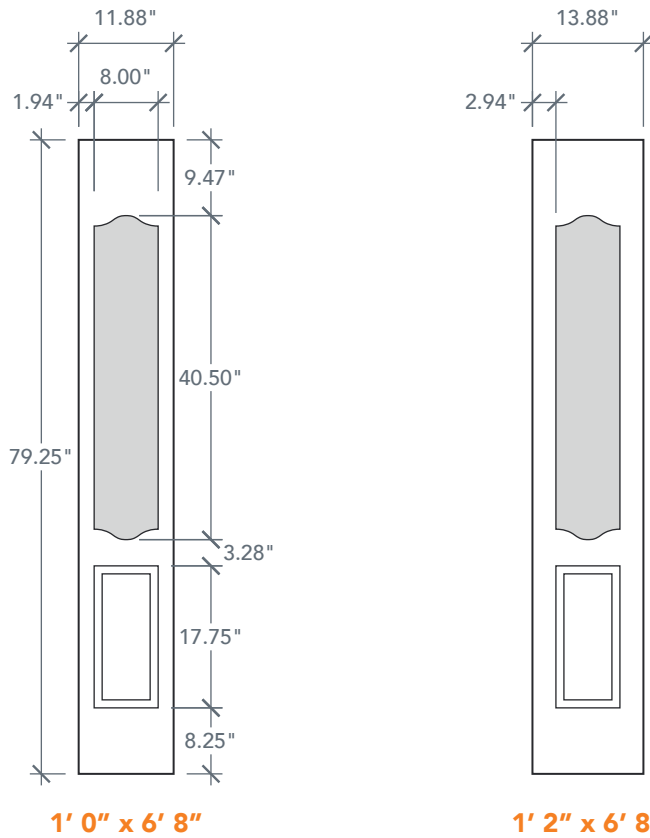
Available Widths:
3' 0"

Spec Page = 131

6'8" SLS3P 3/4 PREMIUM SIDELITE

AVAILABLE SIZING

ARTWORK SCALE: 1/2"=1'

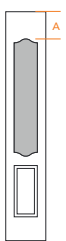


1' 0" x 6' 8"

1' 2" x 6' 8"

NOTE: BY REQUEST, SIDELITE HEIGHT COMES IN VARYING DIMENSIONS TO A MINIMUM OF 79". EXCESS WILL BE TAKEN FROM BOTTOM RAIL. ALL OTHER DIMENSIONS WILL REMAIN THE SAME.

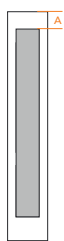
CUTOUTS & GLASS



3/4 OVAL LITE
3V1

ALL Cutout 8" x 40½"
Glass 7" x 39½"

A = 9.47"



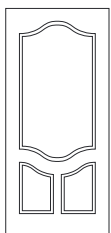
FULL LITE
FL1

ALL Cutout 8" x 65"
Glass 7" x 64"

A = 6.0"

A = DISTANCE FROM TOP OF DOOR TO TOP OF OPENING

MATCHING DOORS



DRS3P

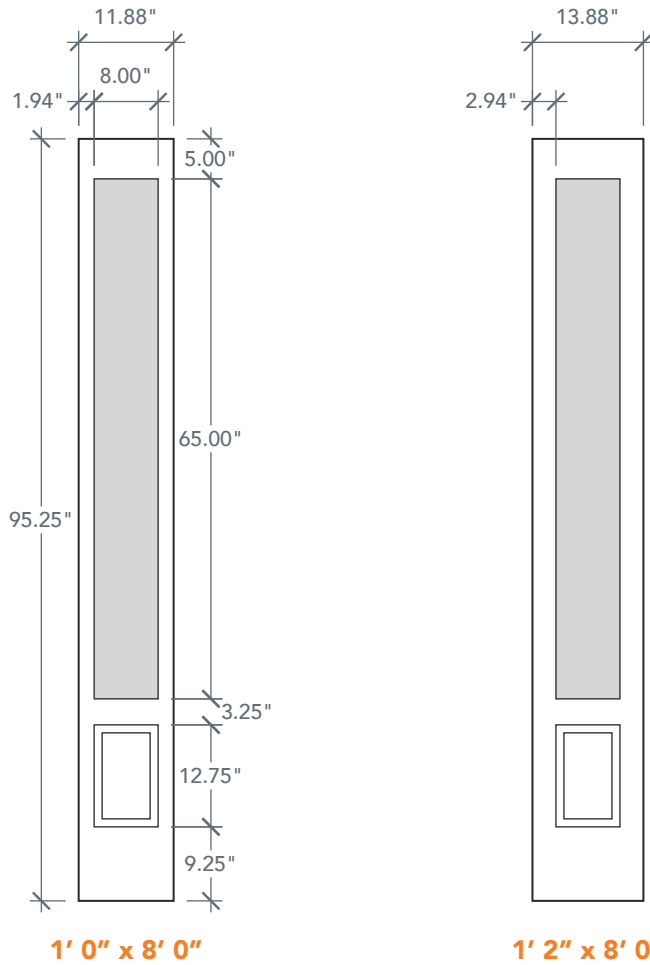
Available Widths:
3' 0"

Spec Page = 132

8'0" SLS3080 3/4 THREE PANEL SIDELITE

AVAILABLE SIZING

ARTWORK SCALE: 1/2"=1'

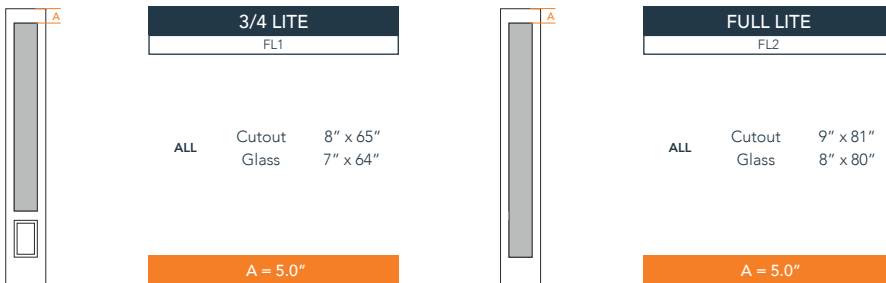


1' 0" x 8' 0"

1' 2" x 8' 0"

NOTE: BY REQUEST, SIDELITE HEIGHT COMES IN VARYING DIMENSIONS TO A MINIMUM OF 95". EXCESS WILL BE TAKEN FROM BOTTOM RAIL. ALL OTHER DIMENSIONS WILL REMAIN THE SAME.

CUTOUTS & GLASS



A = DISTANCE FROM TOP OF DOOR TO TOP OF OPENING

MATCHING DOORS

DRS2980
Available Widths:
2' 8"
2' 10"
3' 0"

Spec Page = 130

DRS3080
Available Widths:
2' 8"
3' 0"
3' 6"

Spec Page = 133

8'0" SLS4180 FOUR PANEL SIDELITE

AVAILABLE SIZING

ARTWORK SCALE: 1/2"=1'



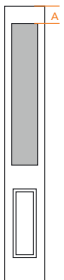
1' 0" x 8' 0"



1' 2" x 8' 0"

NOTE: BY REQUEST, SIDELITE HEIGHT COMES IN VARYING DIMENSIONS TO A MINIMUM OF 95". EXCESS WILL BE TAKEN FROM BOTTOM RAIL. ALL OTHER DIMENSIONS WILL REMAIN THE SAME.

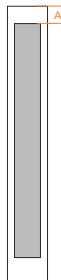
CUTOUTS & GLASS



HALF LITE
341

ALL Cutout 9" x 49"
Glass 8" x 48"

A = 6.0"



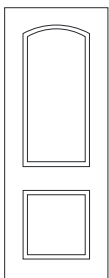
FULL LITE
FL2

ALL Cutout 9" x 81"
Glass 8" x 80"

A = 6.0"

A = DISTANCE FROM TOP OF DOOR TO TOP OF OPENING

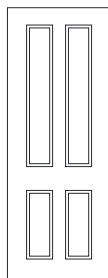
MATCHING DOORS



DRS2D80

Available Widths:
2' 8"
2' 10"
3' 0"

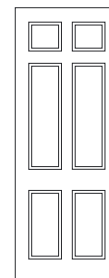
Spec Page = 122



DRS4180

Available Widths:
2' 8"
2' 10"
3' 0"

Spec Page = 138



DRS6080

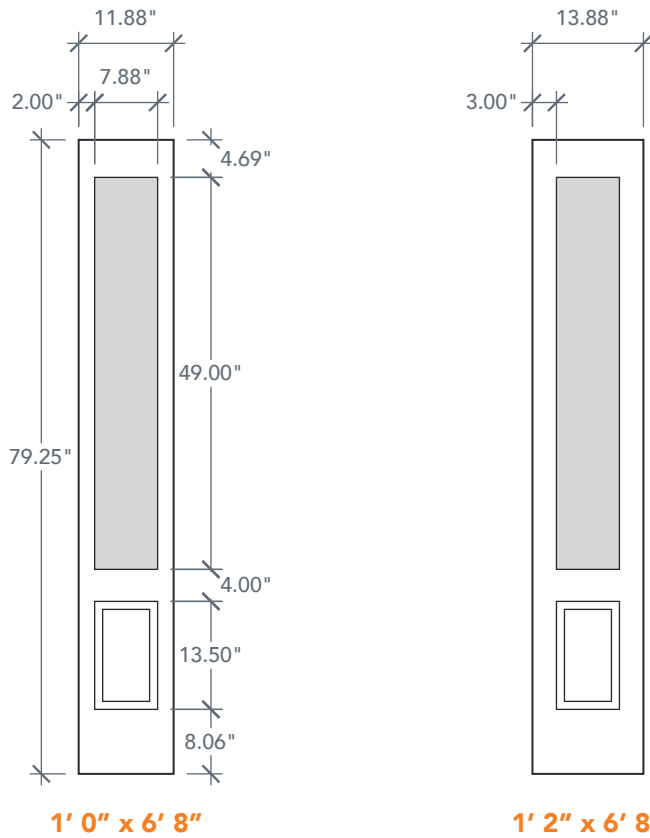
Available Widths:
2' 6"
2' 8"
3' 0"

Spec Page = 144

6'8" SLS49 3/4 FOUR PANEL SIDELITE

AVAILABLE SIZING

ARTWORK SCALE: 1/2"=1'

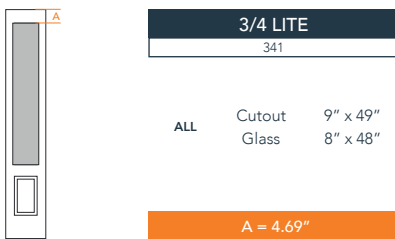


1' 0" x 6' 8"

1' 2" x 6' 8"

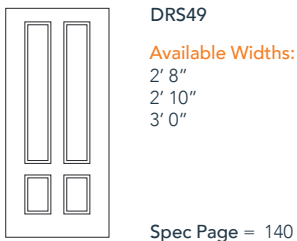
NOTE: BY REQUEST, SIDELITE HEIGHT COMES IN VARYING DIMENSIONS TO A MINIMUM OF 79". EXCESS WILL BE TAKEN FROM BOTTOM RAIL. ALL OTHER DIMENSIONS WILL REMAIN THE SAME.

CUTOUTS & GLASS



A = DISTANCE FROM TOP OF DOOR TO TOP OF OPENING

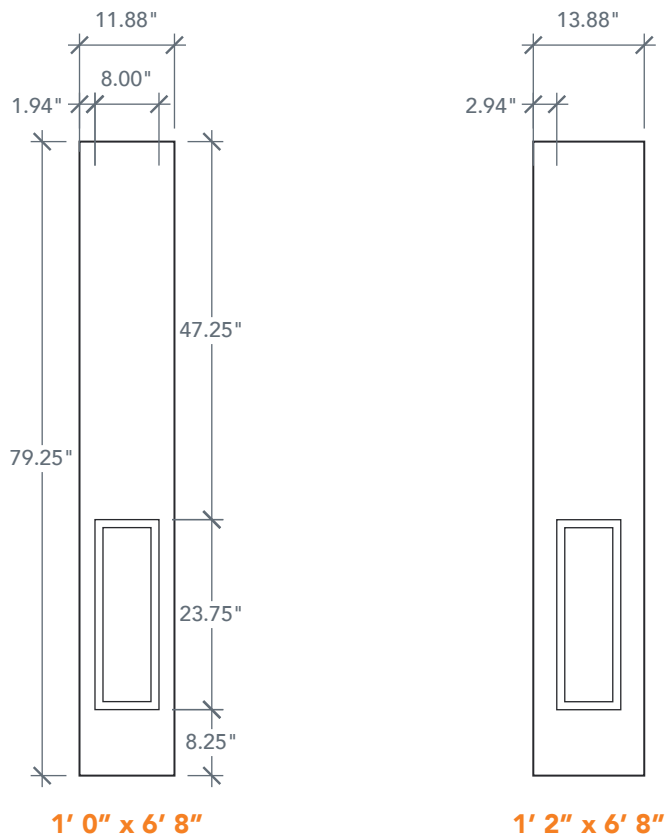
MATCHING DOORS



6'8" SLS60 SIX PANEL SIDELITE

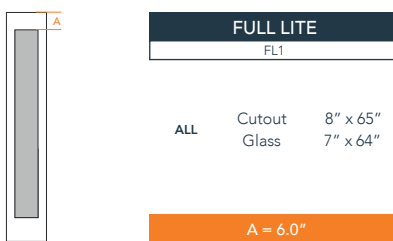
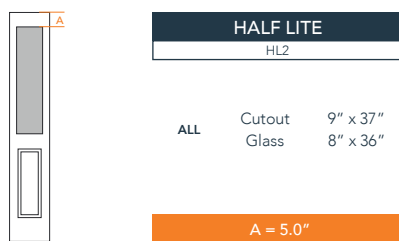
AVAILABLE SIZING

ARTWORK SCALE: 1/2"=1'



NOTE: BY REQUEST, SIDELITE HEIGHT COMES IN VARYING DIMENSIONS TO A MINIMUM OF 79". EXCESS WILL BE TAKEN FROM BOTTOM RAIL. ALL OTHER DIMENSIONS WILL REMAIN THE SAME.

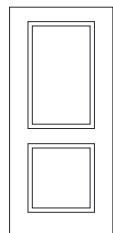
CUTOUTS & GLASS



A = DISTANCE FROM TOP OF DOOR TO TOP OF OPENING

MATCHING DOORS

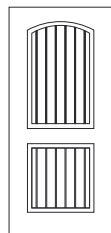
DRS2B/DRS2D



Available Widths:
2' 8"
2' 10"
3' 0"

DRS2B
Spec Page = 120
DRS2D
Spec Page = 121

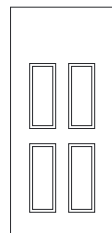
DRS2G



Available Widths:
2' 8"
2' 10"
3' 0"

Spec Page = 123

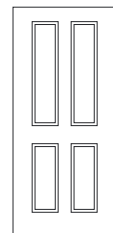
DRS40



Available Widths:
2' 6"
2' 8"
2' 10"
3' 0"

Spec Page = 135

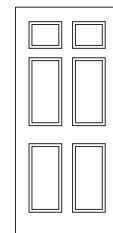
DRS41



Available Widths:
2' 8"
2' 10"
3' 0"

Spec Page = 136

DRS60/DRS63



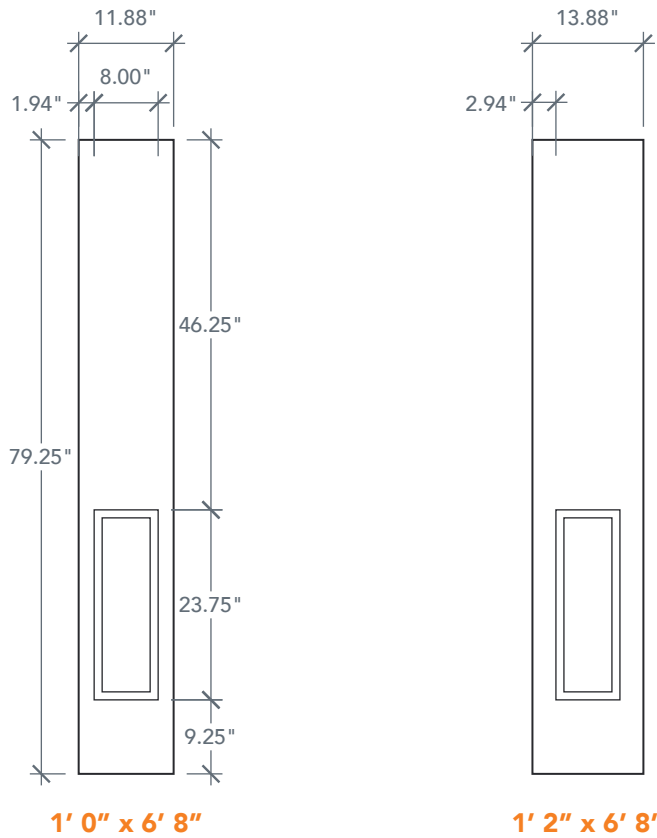
Available Widths:
2' 6"
3' 0"

DRS60
Spec Page = 143
DRS63
Spec Page = 148

6'8" SLS61 SIX PANEL UTILITY SIDELITE

AVAILABLE SIZING

ARTWORK SCALE: 1/2"=1'

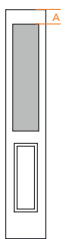


1' 0" x 6' 8"

1' 2" x 6' 8"

NOTE: BY REQUEST, SIDELITE HEIGHT COMES IN VARYING DIMENSIONS TO A MINIMUM OF 79". EXCESS WILL BE TAKEN FROM BOTTOM RAIL. ALL OTHER DIMENSIONS WILL REMAIN THE SAME.

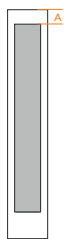
CUTOUTS & GLASS



HALF LITE
HL2

ALL Cutout 9" x 37"
Glass 8" x 36"

A = 5.0"



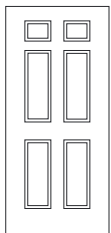
FULL LITE
FL1

ALL Cutout 8" x 65"
Glass 7" x 64"

A = 5.0"

A = DISTANCE FROM TOP OF DOOR TO TOP OF OPENING

MATCHING DOORS



DRS61

Available Widths:

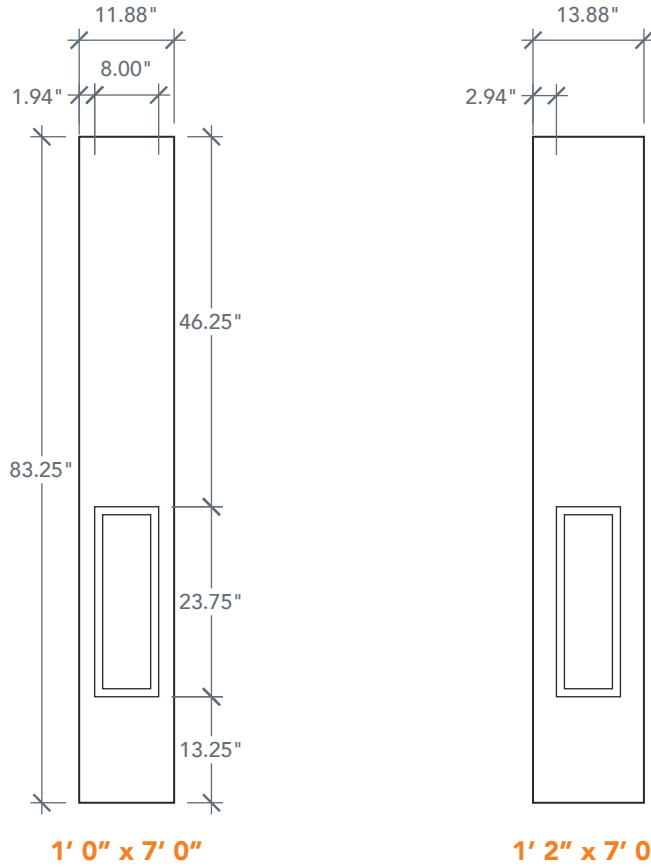
- 2' 8"
- 2' 10"
- 3' 0"

Spec Page = 145

7'0" SLS6170 SIX PANEL UTILITY SIDELITE

AVAILABLE SIZING

ARTWORK SCALE: 1/2"=1'



NOTE: BY REQUEST, SIDELITE HEIGHT COMES IN VARYING DIMENSIONS TO A MINIMUM OF 83". EXCESS WILL BE TAKEN FROM BOTTOM RAIL. ALL OTHER DIMENSIONS WILL REMAIN THE SAME.

CUTOUTS & GLASS

HALF LITE	
HL2	
ALL	Cutout 9" x 37"
	Glass 8" x 36"

A = 5.0"

FULL LITE	
FL1	
ALL	Cutout 8" x 65"
	Glass 7" x 64"

A = 5.0"

A = DISTANCE FROM TOP OF DOOR TO TOP OF OPENING

MATCHING DOORS

DRS6170

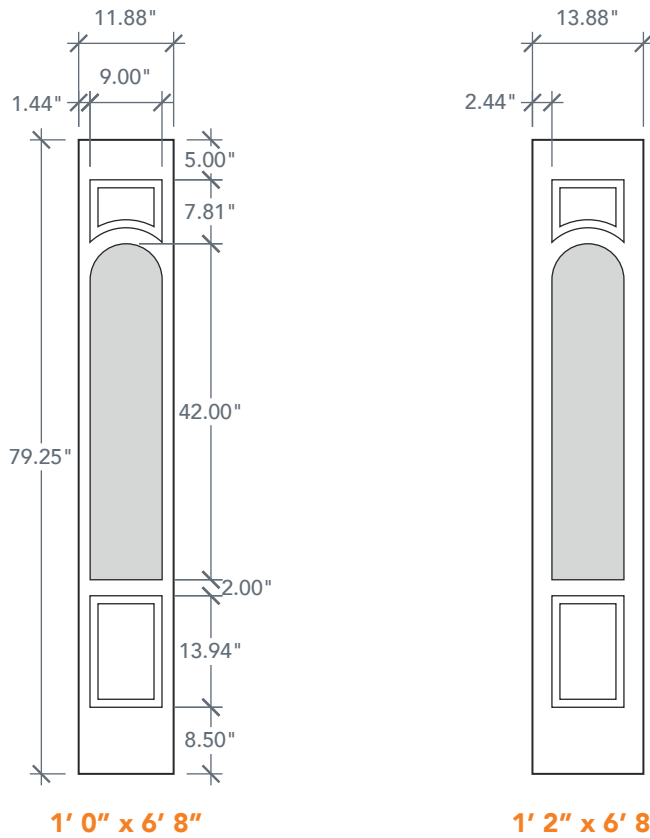
Available Widths:
 2' 8"
 2' 10"
 3' 0"

Spec Page = 146

6'8" SLS80 EIGHT PANEL SIDELITE

AVAILABLE SIZING

ARTWORK SCALE: 1/2"=1'

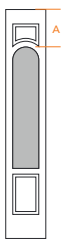


1' 0" x 6' 8"

1' 2" x 6' 8"

NOTE: BY REQUEST, SIDELITE HEIGHT COMES IN VARYING DIMENSIONS TO A MINIMUM OF 79". EXCESS WILL BE TAKEN FROM BOTTOM RAIL. ALL OTHER DIMENSIONS WILL REMAIN THE SAME.

CUTOUTS & GLASS



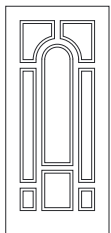
CENTER ARCH LITE
8C1

ALL Cutout 9" x 42"
Glass 8" x 41"

A = 12.81"

A = DISTANCE FROM TOP OF DOOR TO TOP OF OPENING

MATCHING DOORS



DRS80

Available Widths:
3' 0"

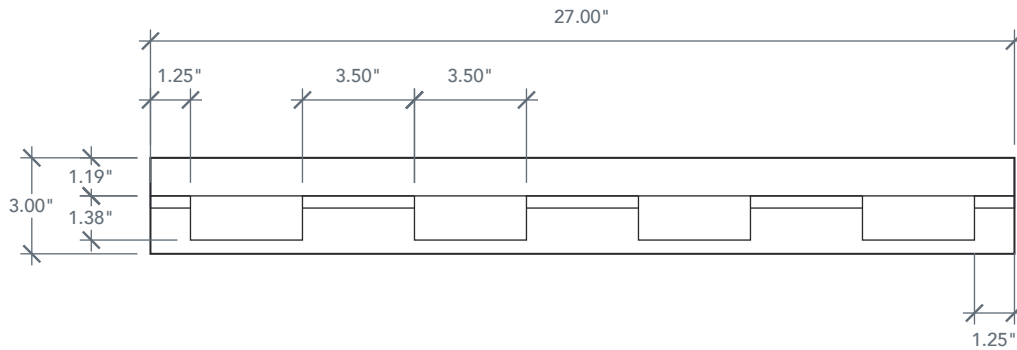
Spec Page = 149

DENTIL SHELVES

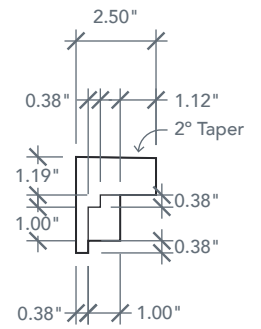
ACCESSORY DIMENSIONS

ARTWORK NOT TO SCALE

ACDSSW2704 4 BLOCK DENTIL SHELF



Front Profile

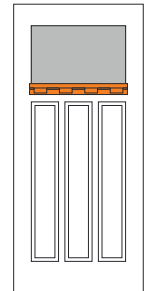


Side Profile

ACCESSORY INFO

Parts Per Set: 1
4 Block Dentil Shelf

Matching Doors:
DRS6C | Spec Page 142

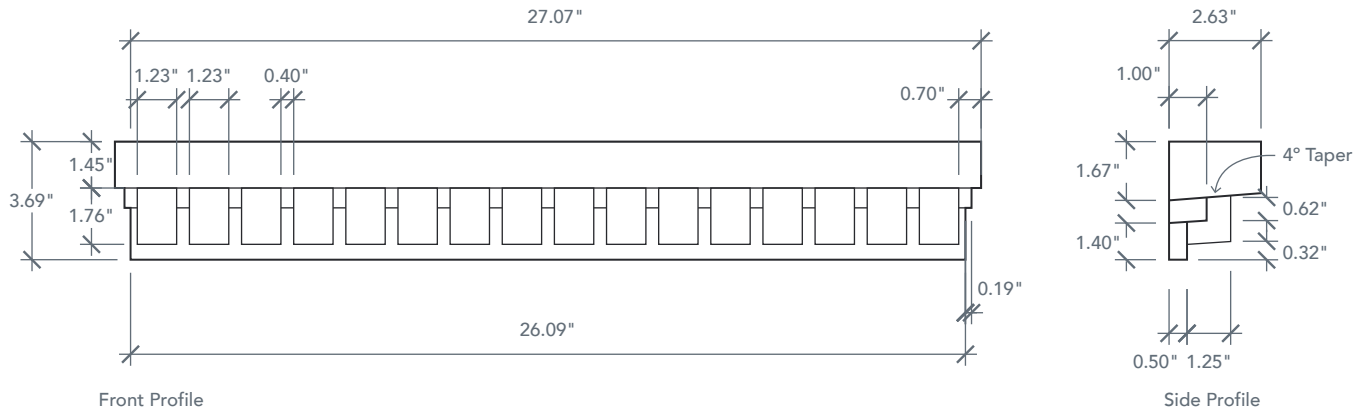


DENTIL SHELVES

ACCESSORY DIMENSIONS

ARTWORK NOT TO SCALE

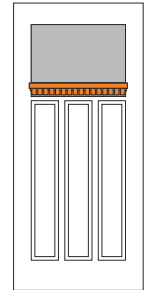
ACDSSW2716 16 BLOCK DENTIL SHELF

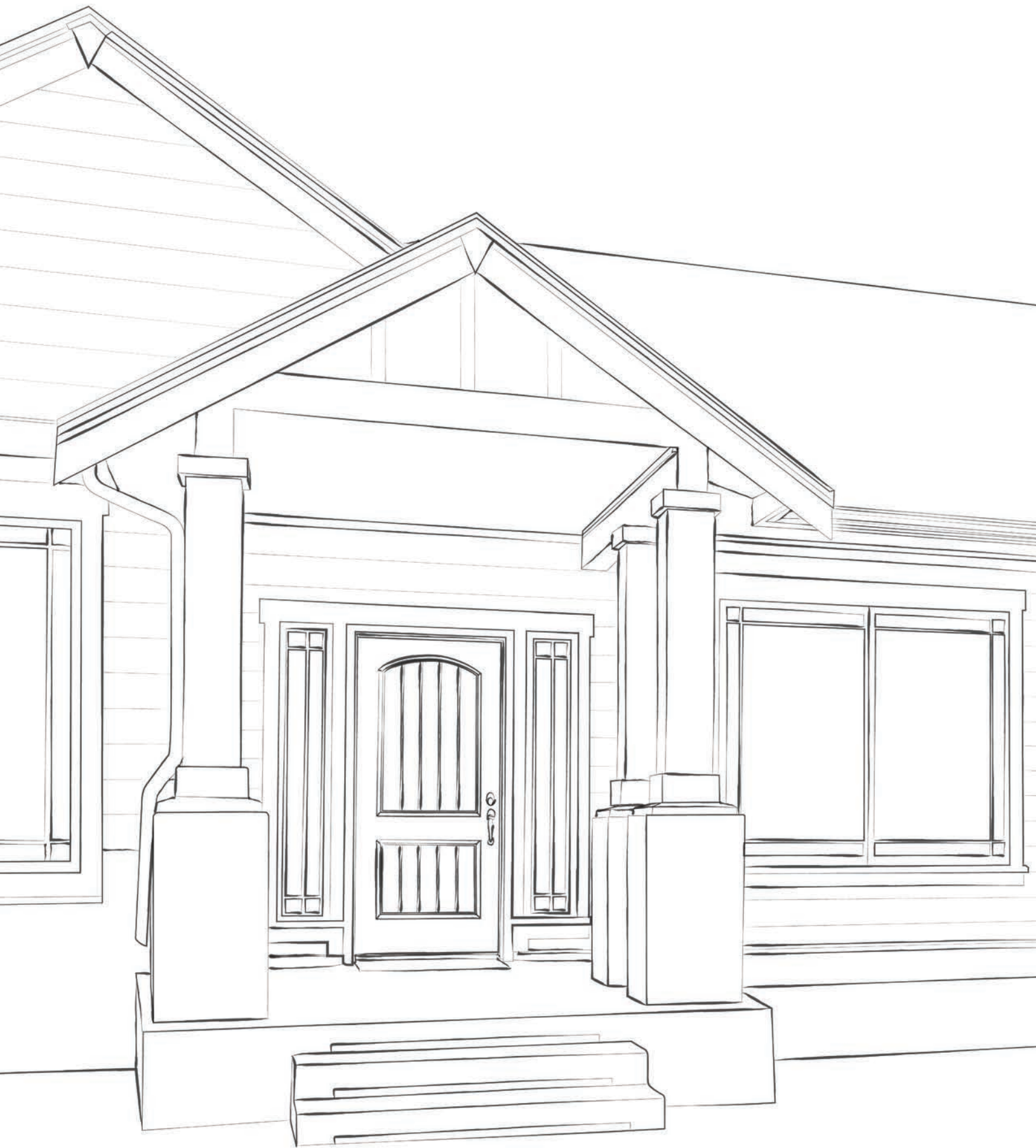


ACCESSORY INFO

Parts Per Set: 1
16 Block Dentil Shelf

Matching Doors:
DRS6C | Spec Page 142





WHITE OAK SERIES

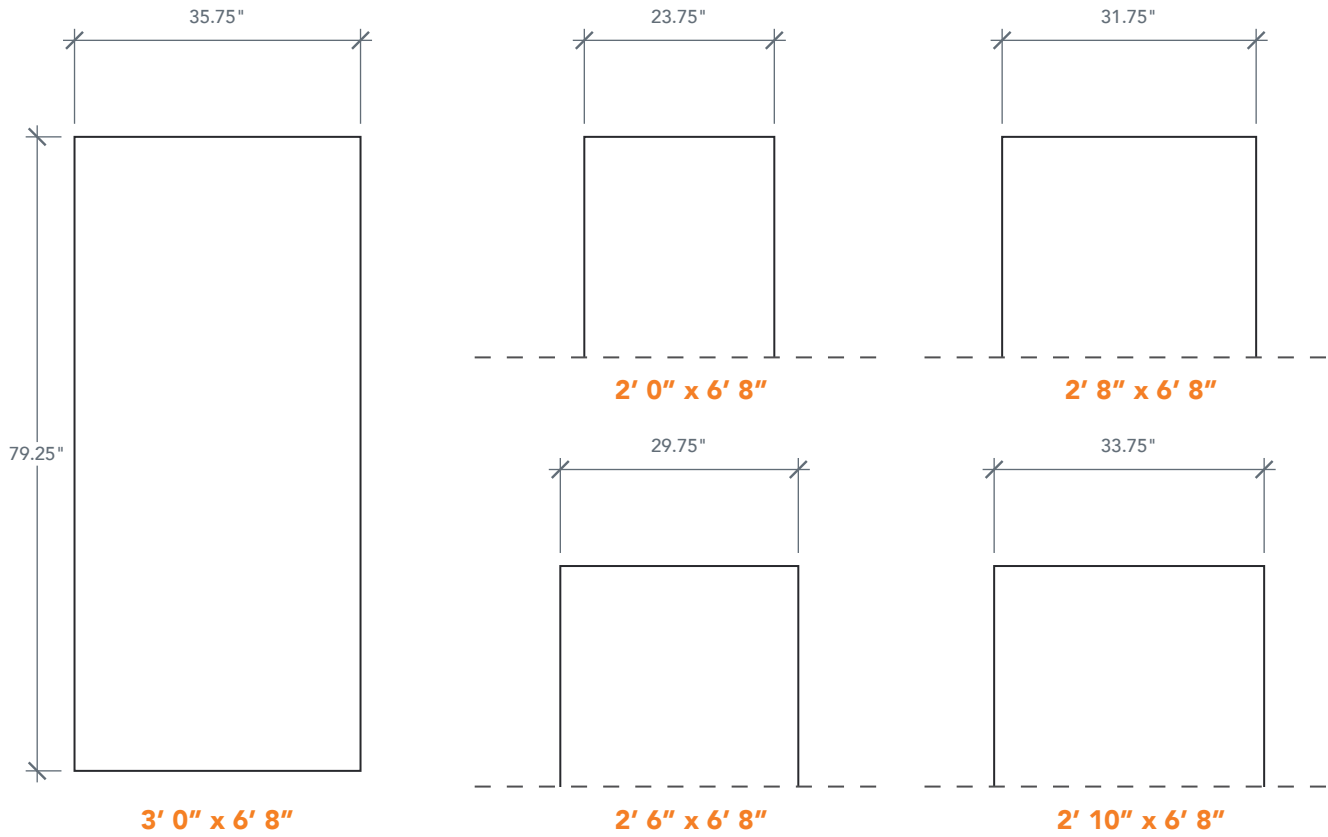
Can't decide between our classic Oak series and suave Smooth series? Plastpro figured, and as a result, we've created our exclusive White Oak Series. An immaculate line that encapsulates the finest features from our Smooth and Oak doors to deliver a top-notch entryway. Any home can enjoy an intricate oak texture coated in a pristine, pre-pigmented white skin. Finally, to help solidify your decision, Plastpro offers plentiful decorative glass options that'll turn this dreamy look into reality. The White Oak Series is the definition of the best of both worlds.

PG 166 - 177

6'8" DRV00 FLUSH DOOR

AVAILABLE SIZING

ARTWORK SCALE: 1/2"=1'



NOTE: BY REQUEST, DOOR HEIGHT COMES IN VARYING DIMENSIONS TO A MINIMUM OF 79". EXCESS WILL BE TAKEN FROM BOTTOM RAIL. ALL OTHER DIMENSIONS WILL REMAIN THE SAME.

CUTOUTS & GLASS

	FULL LITE	
	FL5	
2'6"	Cutout	21" x 65"
	Glass	20" x 64"
FL7		
2'8"	Cutout	23" x 65"
	2'10"	Glass
3'0"		
A = 6.0"		

A = DISTANCE FROM TOP OF DOOR TO TOP OF OPENING

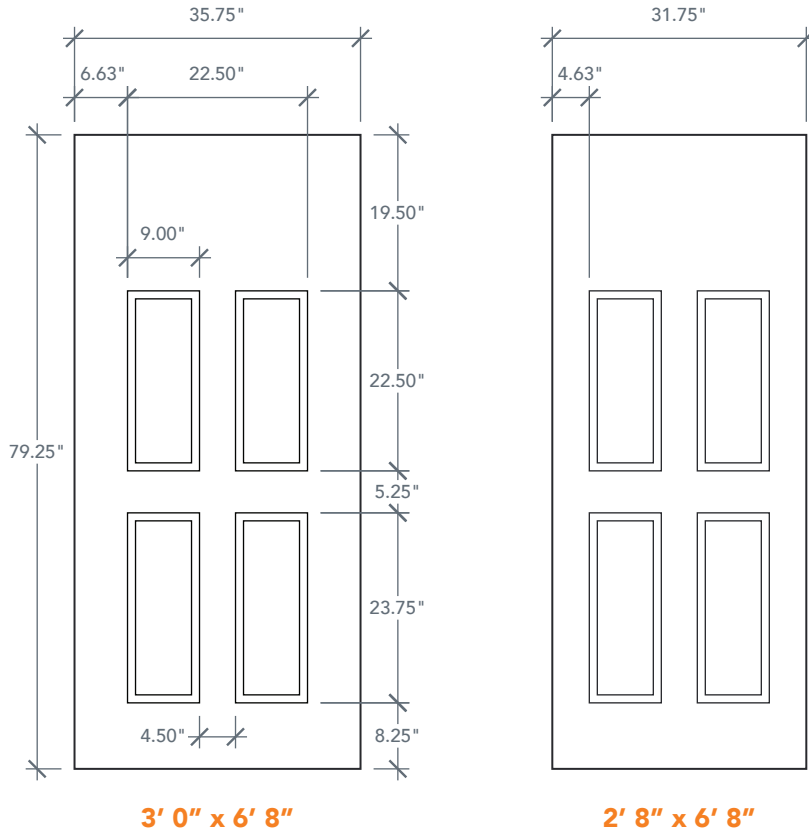
MATCHING SIDELITES

	SLV00
	Available Widths:
	1' 0"
	1' 2"
Spec Page = 174	

6'8" DRV40 FOUR PANEL BLANK TOP DOOR

AVAILABLE SIZING

ARTWORK SCALE: 1/2"=1'

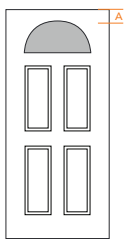


3' 0" x 6' 8"

2' 8" x 6' 8"

NOTE: BY REQUEST, DOOR HEIGHT COMES IN VARYING DIMENSIONS TO A MINIMUM OF 79". EXCESS WILL BE TAKEN FROM BOTTOM RAIL. ALL OTHER DIMENSIONS WILL REMAIN THE SAME.

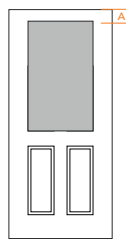
CUTOUTS & GLASS



HALF ROUND LITE
HR1

ALL Cutout 23" x 11"
Glass 22" x 10"

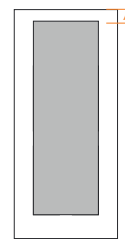
A = 4.0"



HALF LITE
HL4

ALL Cutout 23" x 37"
Glass 22" x 36"

A = 5.0"



FULL LITE
FL7

ALL Cutout 23" x 65"
Glass 22" x 64"

A = 6.0"

A = DISTANCE FROM TOP OF DOOR TO TOP OF OPENING

MATCHING SIDELITES



SLV60

Available Widths:

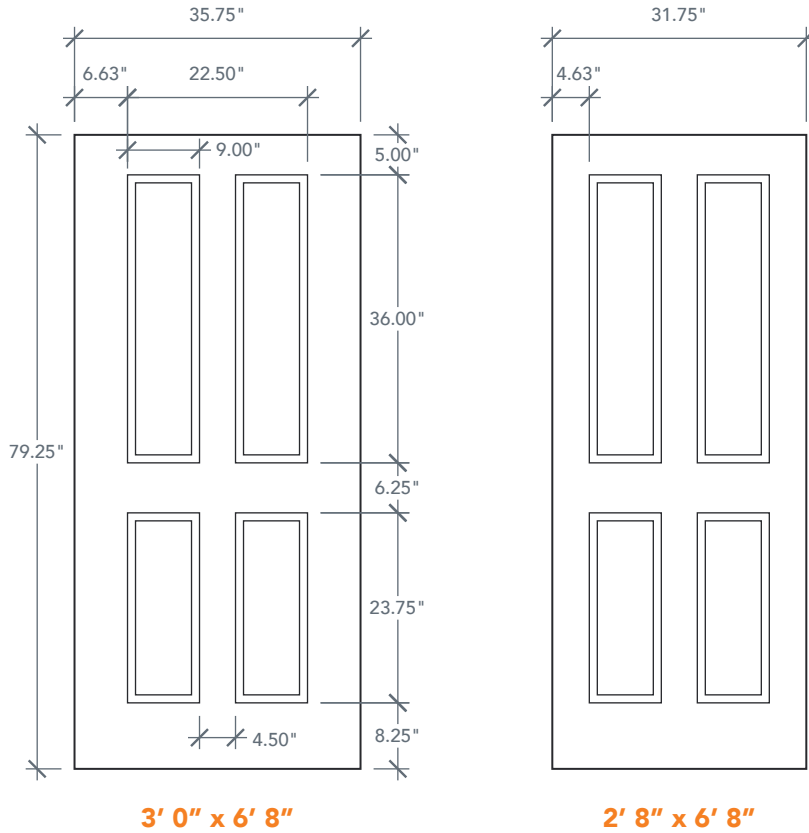
1' 0"
1' 2"

Spec Page = 175

6'8" DRV41 TRUE FOUR PANEL DOOR

AVAILABLE SIZING

ARTWORK SCALE: 1/2"=1'

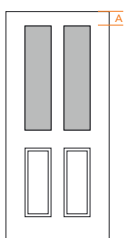


3' 0" x 6' 8"

2' 8" x 6' 8"

NOTE: BY REQUEST, DOOR HEIGHT COMES IN VARYING DIMENSIONS TO A MINIMUM OF 79". EXCESS WILL BE TAKEN FROM BOTTOM RAIL. ALL OTHER DIMENSIONS WILL REMAIN THE SAME.

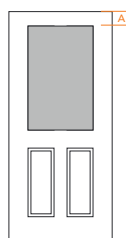
CUTOUTS & GLASS



TWIN LITE
HL2

2' 8" Cutout 9" x 37"
3' 0" Glass 8" x 36"

A = 5.0"



HALF LITE
HL4

2' 8" Cutout 23" x 37"
3' 0" Glass 22" x 36"

A = 5.0"

A = DISTANCE FROM TOP OF DOOR TO TOP OF OPENING

MATCHING SIDELITES



SLV60

Available Widths:

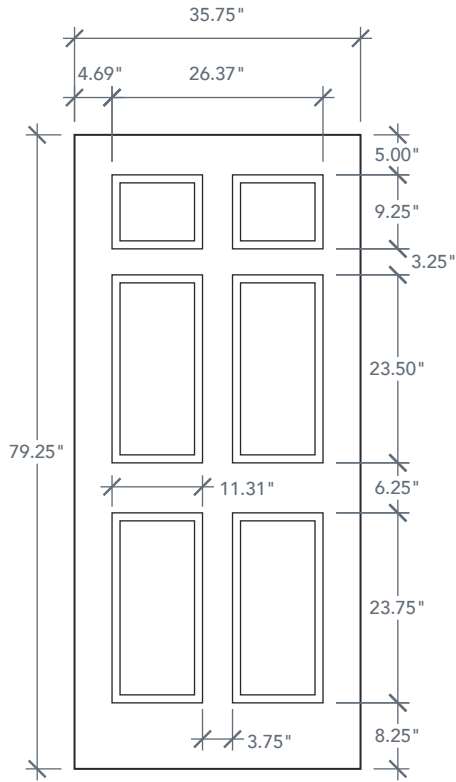
1' 0"
1' 2"

Spec Page = 175

6'8" DRV60 SIX PANEL DOOR

AVAILABLE SIZING

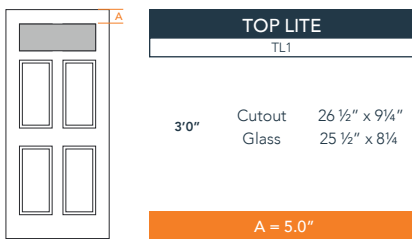
ARTWORK SCALE: 1/2"=1'



3' 0" x 6' 8"

NOTE: BY REQUEST, DOOR HEIGHT COMES IN VARYING DIMENSIONS TO A MINIMUM OF 79". EXCESS WILL BE TAKEN FROM BOTTOM RAIL. ALL OTHER DIMENSIONS WILL REMAIN THE SAME.

CUTOUTS & GLASS



A = DISTANCE FROM TOP OF DOOR TO TOP OF OPENING

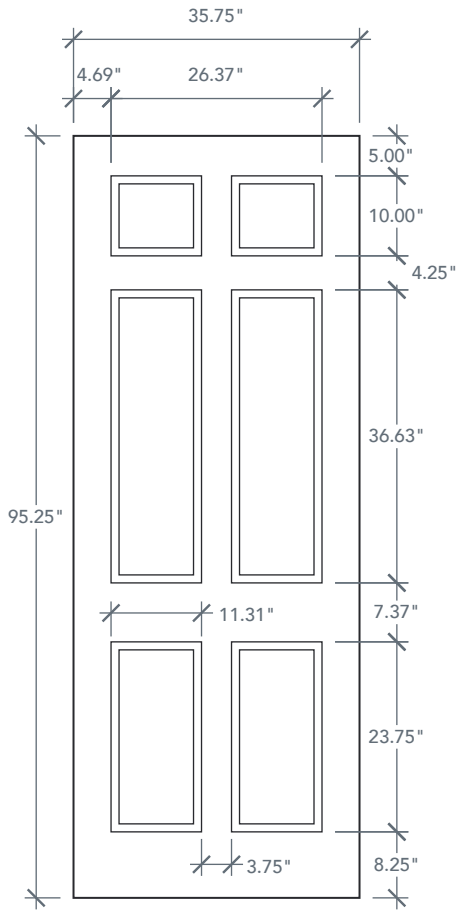
MATCHING SIDELITES



8'0" DRW6080 SIX PANEL DOOR

AVAILABLE SIZING

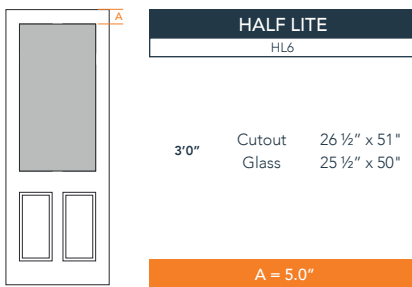
ARTWORK SCALE: 1/2"=1'



3' 0" x 8' 0"

NOTE: BY REQUEST, DOOR HEIGHT COMES IN VARYING DIMENSIONS TO A MINIMUM OF 95". EXCESS WILL BE TAKEN FROM BOTTOM RAIL. ALL OTHER DIMENSIONS WILL REMAIN THE SAME.

CUTOUTS & GLASS

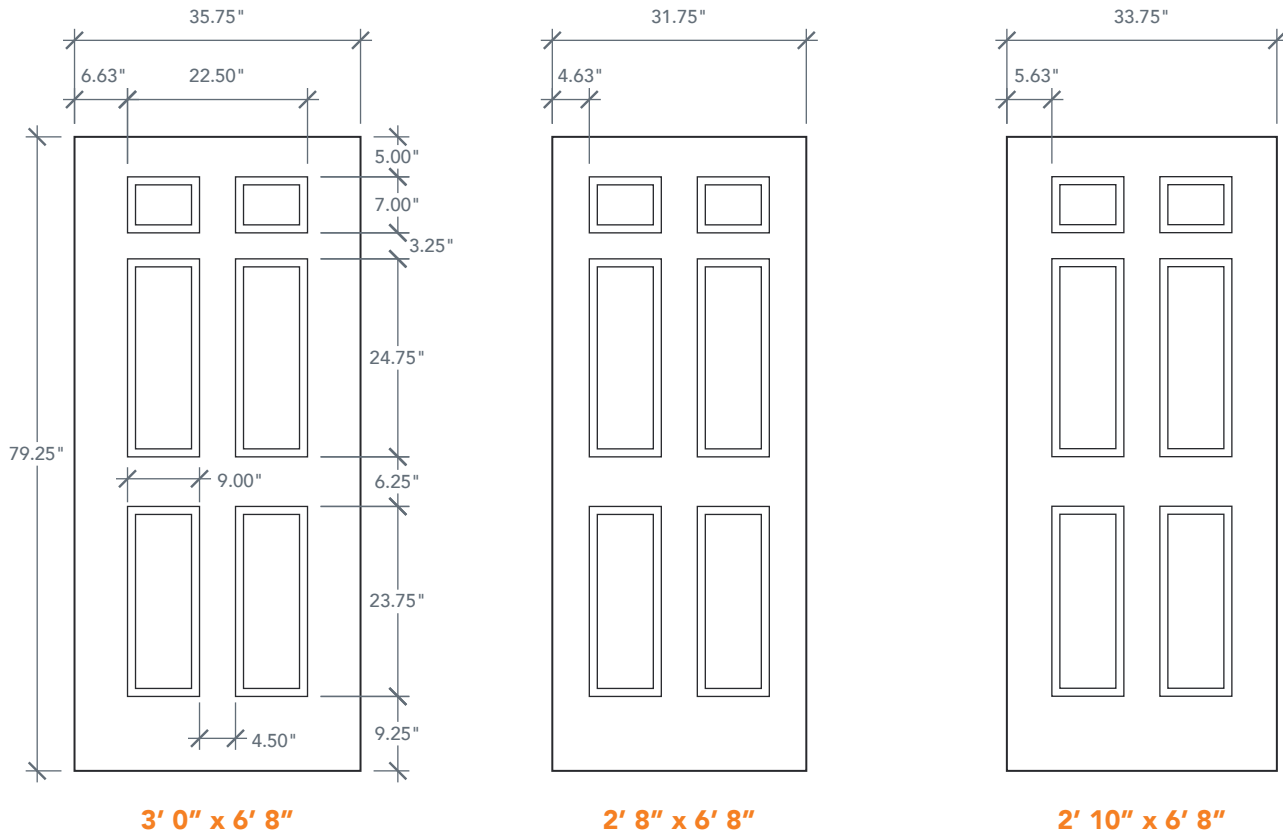


A = DISTANCE FROM TOP OF DOOR TO TOP OF OPENING

6'8" DRV61 SIX PANEL UTILITY DOOR

AVAILABLE SIZING

ARTWORK SCALE: 1/2"=1'



3' 0" x 6' 8"

2' 8" x 6' 8"

2' 10" x 6' 8"

NOTE: BY REQUEST, DOOR HEIGHT COMES IN VARYING DIMENSIONS TO A MINIMUM OF 79". EXCESS WILL BE TAKEN FROM BOTTOM RAIL. ALL OTHER DIMENSIONS WILL REMAIN THE SAME.

CUTOUTS & GLASS

	<p>TWIN LITE HL2</p> <p>ALL Cutout 9" x 37" Glass 8" x 36"</p> <p>A = 5.0"</p>		<p>HALF LITE HL4</p> <p>ALL Cutout 23" x 37" Glass 22" x 36"</p> <p>A = 5.0"</p>		<p>FULL LITE FL7</p> <p>ALL Cutout 23" x 65" Glass 22" x 64"</p> <p>A = 5.0"</p>
--	--	--	--	--	--

A = DISTANCE FROM TOP OF DOOR TO TOP OF OPENING

MATCHING SIDELITE

SLV61

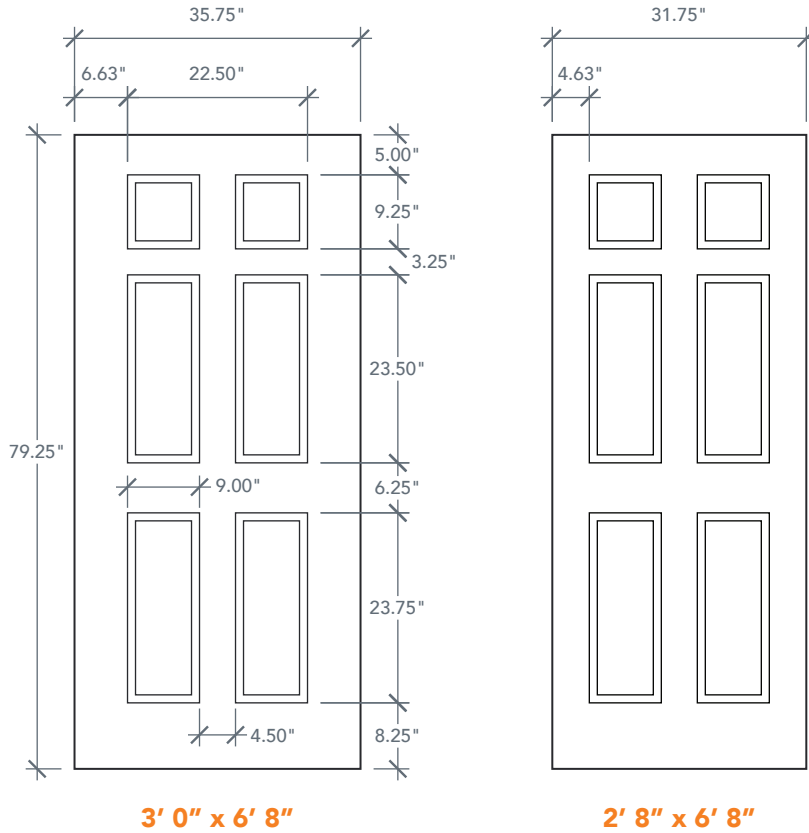
Available Widths:
1' 0"
1' 2"

Spec Page = 176

6'8" DRV63 TRUE SIX PANEL NARROW DOOR

AVAILABLE SIZING

ARTWORK SCALE: 1/2"=1'

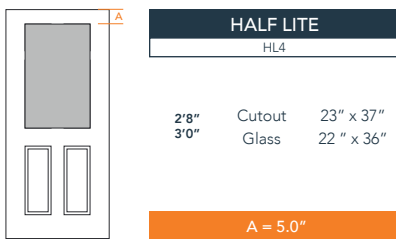


3' 0" x 6' 8"

2' 8" x 6' 8"

NOTE: BY REQUEST, DOOR HEIGHT COMES IN VARYING DIMENSIONS TO A MINIMUM OF 79". EXCESS WILL BE TAKEN FROM BOTTOM RAIL. ALL OTHER DIMENSIONS WILL REMAIN THE SAME.

CUTOUTS & GLASS

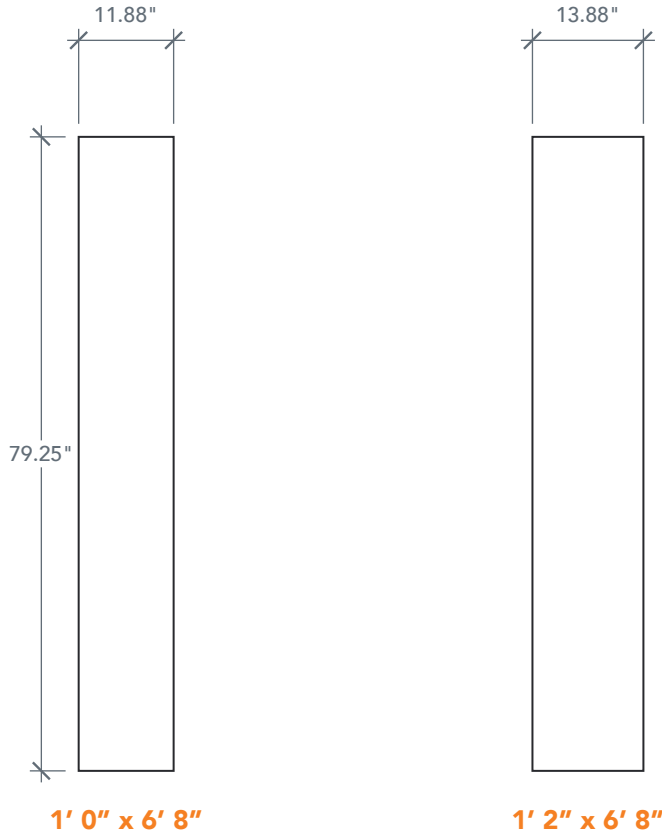


A = DISTANCE FROM TOP OF DOOR TO TOP OF OPENING

6'8" SLV00 FLUSH SIDELITE

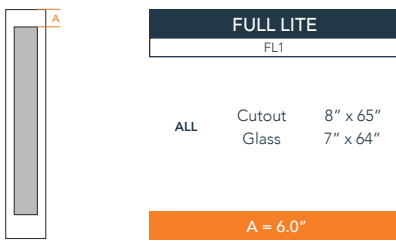
AVAILABLE SIZING

ARTWORK SCALE: 1/2"=1'



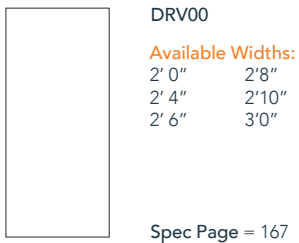
NOTE: BY REQUEST, SIDELITE HEIGHT COMES IN VARYING DIMENSIONS TO A MINIMUM OF 79". EXCESS WILL BE TAKEN FROM BOTTOM RAIL. ALL OTHER DIMENSIONS WILL REMAIN THE SAME.

CUTOUT AND GLASS



A = DISTANCE FROM TOP OF DOOR TO TOP OF OPENING

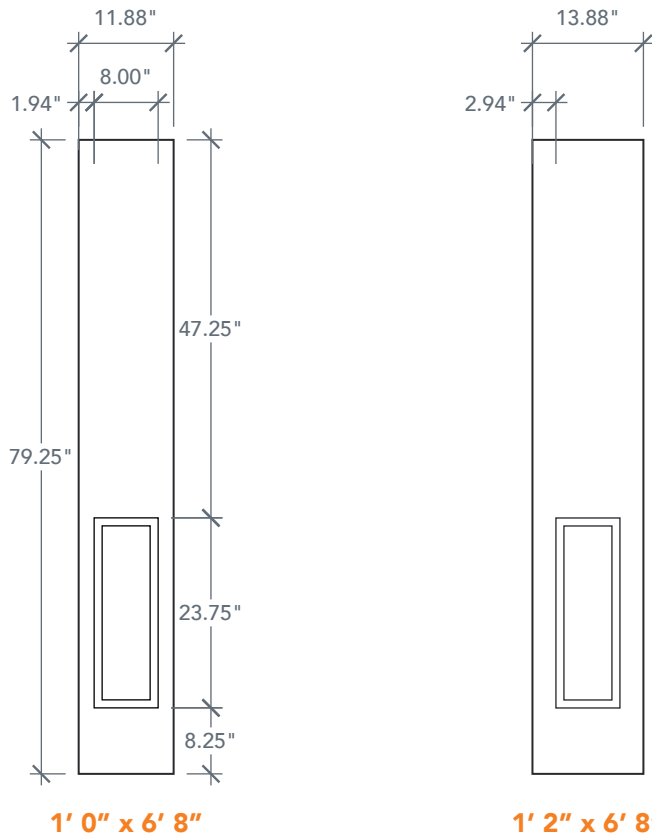
MATCHING DOOR



6'8" SLV60 SIX PANEL SIDELITE

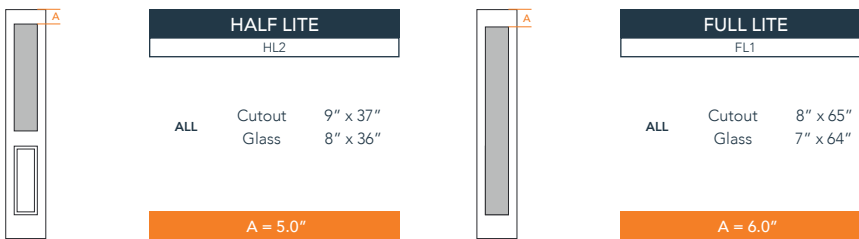
AVAILABLE SIZING

ARTWORK SCALE: 1/2"=1'



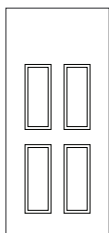
NOTE: BY REQUEST, SIDELITE HEIGHT COMES IN VARYING DIMENSIONS TO A MINIMUM OF 79". EXCESS WILL BE TAKEN FROM BOTTOM RAIL. ALL OTHER DIMENSIONS WILL REMAIN THE SAME.

CUTOUT AND GLASS

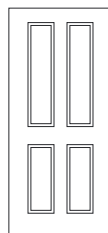


A = DISTANCE FROM TOP OF DOOR TO TOP OF OPENING

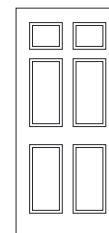
MATCHING DOORS



DRV40
Available Widths:
 2' 8"
 2' 10"
 3' 0"
 Spec Page = 168



DRV41
Available Widths:
 2' 8"
 2' 10"
 3' 0"
 Spec Page = 169

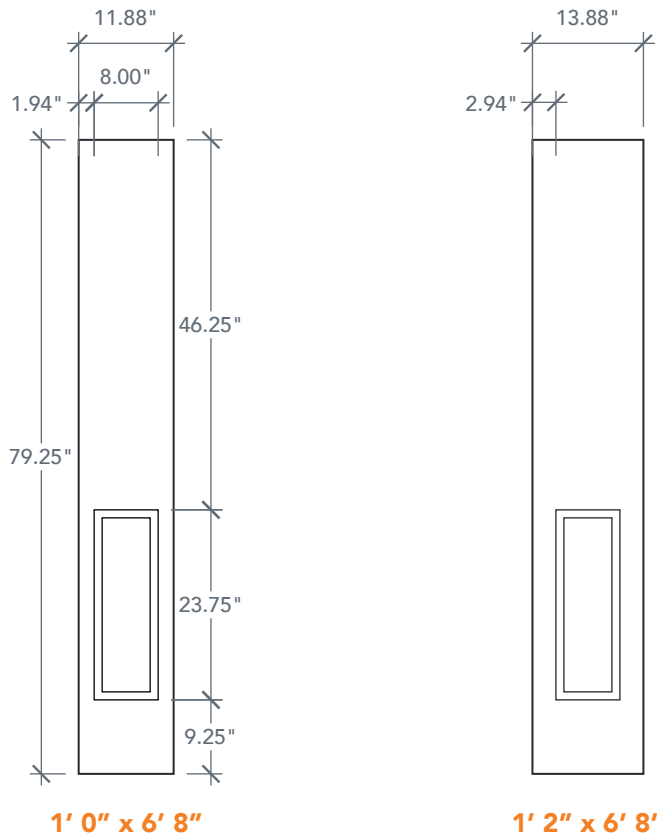


DRV60
Available Widths:
 2' 6"
 3' 0"
 Spec Page = 170

6'8" SLV61 SIX PANEL UTILITY SIDELITE

AVAILABLE SIZING

ARTWORK SCALE: 1/2"=1'

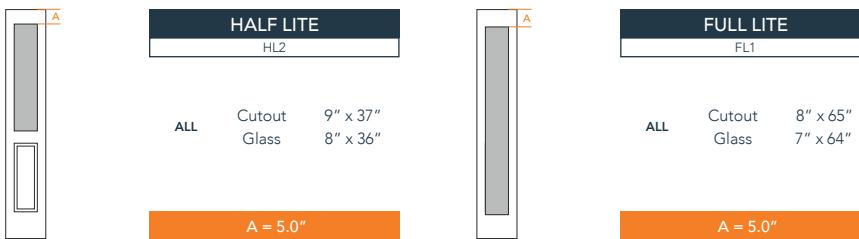


1' 0" x 6' 8"

1' 2" x 6' 8"

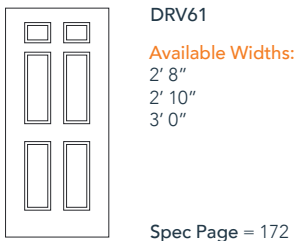
NOTE: BY REQUEST, SIDELITE HEIGHT COMES IN VARYING DIMENSIONS TO A MINIMUM OF 79". EXCESS WILL BE TAKEN FROM BOTTOM RAIL. ALL OTHER DIMENSIONS WILL REMAIN THE SAME.

CUTOUT AND GLASS



A = DISTANCE FROM TOP OF DOOR TO TOP OF OPENING

MATCHING DOOR





ONELITE SERIES

Our Onelite Series was made to maximize natural light and give your home a lustrous glow. Offered in our classic oak grain and smooth finish coats, these doors encompass style while providing superb flexibility. For example, this line incorporates a fine, flush glazed glass with a removable stop to allow the glass to be switched without changing the entire door. Another benefit is that this series gladly reduces your energy bill, as these doors are available with beautiful and energy-efficient low-emissivity glass. In fact, the only thing clearer than our remarkable glass is the win-win situation the Onelite series presents.

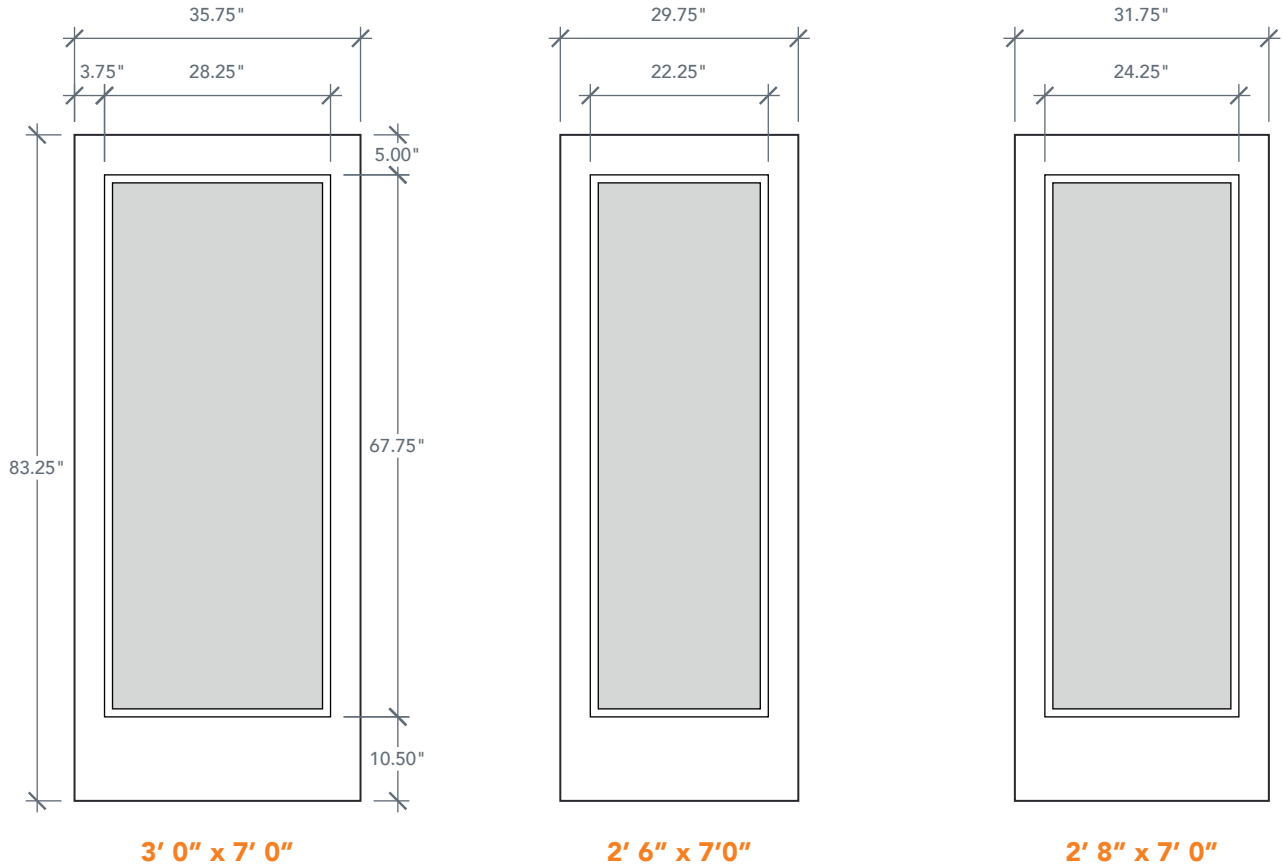
PG 178 - 185

7'0" DRS1070 FLUSH GLAZED FULL LITE DOOR

SMOOTH

AVAILABLE SIZING

ARTWORK SCALE: 1/2"=1'



3' 0" x 7' 0"

2' 6" x 7' 0"

2' 8" x 7' 0"

NOTE: BY REQUEST, DOOR HEIGHT COMES IN VARYING DIMENSIONS TO A MINIMUM OF 83". EXCESS WILL BE TAKEN FROM BOTTOM RAIL. ALL OTHER DIMENSIONS WILL REMAIN THE SAME.

GLASS & DAYLIGHT OPENING

FULL LITE			
2'6"	Glass	23 5/16" x 67"	
	Daylight	22 5/16" x 66"	
2'8"	Glass	25 5/16" x 67"	
	Daylight	24 5/16" x 66"	
3'0"	Glass	27 5/16" x 67"	
	Daylight	26 5/16" x 66"	
A = 5.00"			

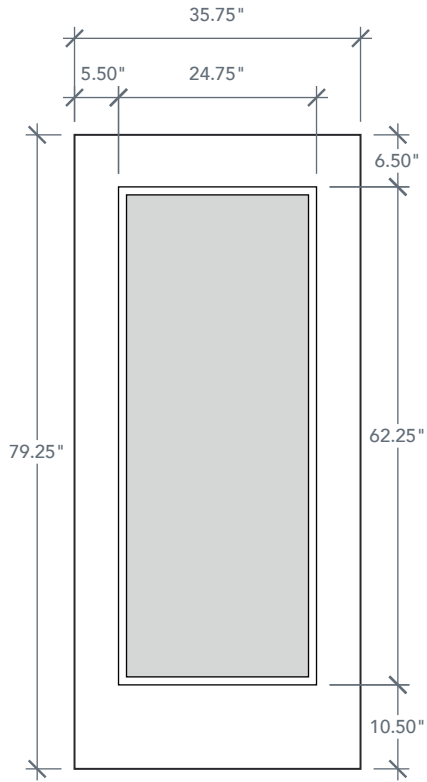
A = DISTANCE FROM TOP OF DOOR TO TOP OF OPENING

6'8" DRS11 FLUSH GLAZED ADA DOOR

SMOOTH

AVAILABLE SIZING

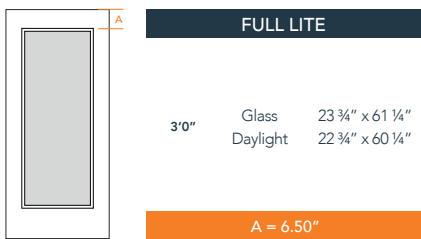
ARTWORK SCALE: 1/2"=1'



3' 0" x 6' 8"

NOTE: BY REQUEST, DOOR HEIGHT COMES IN VARYING DIMENSIONS TO A MINIMUM OF 79". EXCESS WILL BE TAKEN FROM BOTTOM RAIL. ALL OTHER DIMENSIONS WILL REMAIN THE SAME.

GLASS & DAYLIGHT OPENING



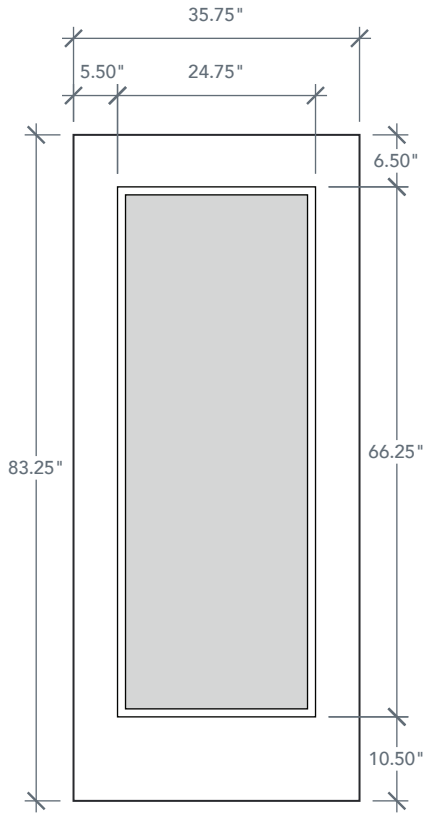
A = DISTANCE FROM TOP OF DOOR TO TOP OF OPENING

7'0" DRS1170 FLUSH GLAZED ADA DOOR

SMOOTH

AVAILABLE SIZING

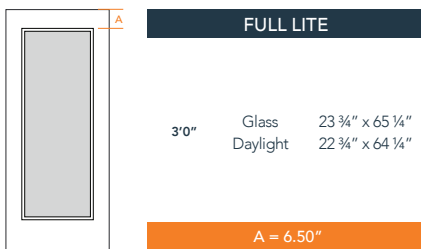
ARTWORK SCALE: 1/2"=1'



3' 0" x 7' 0"

NOTE: BY REQUEST, DOOR HEIGHT COMES IN VARYING DIMENSIONS TO A MINIMUM OF 83". EXCESS WILL BE TAKEN FROM BOTTOM RAIL. ALL OTHER DIMENSIONS WILL REMAIN THE SAME.

GLASS & DAYLIGHT OPENING



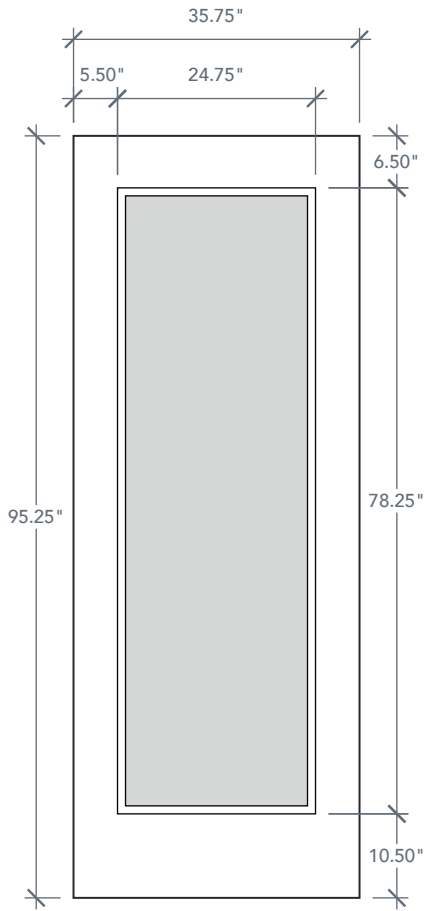
A = DISTANCE FROM TOP OF DOOR TO TOP OF OPENING

8'0" DRS1180 FLUSH GLAZED ADA DOOR

SMOOTH

AVAILABLE SIZING

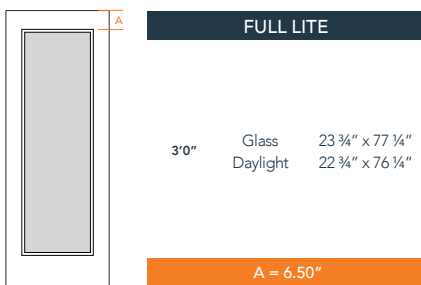
ARTWORK SCALE: 1/2"=1'



3' 0" x 8' 0"

NOTE: BY REQUEST, DOOR HEIGHT COMES IN VARYING DIMENSIONS TO A MINIMUM OF 95". EXCESS WILL BE TAKEN FROM BOTTOM RAIL. ALL OTHER DIMENSIONS WILL REMAIN THE SAME.

GLASS & DAYLIGHT OPENING



A = DISTANCE FROM TOP OF DOOR TO TOP OF OPENING

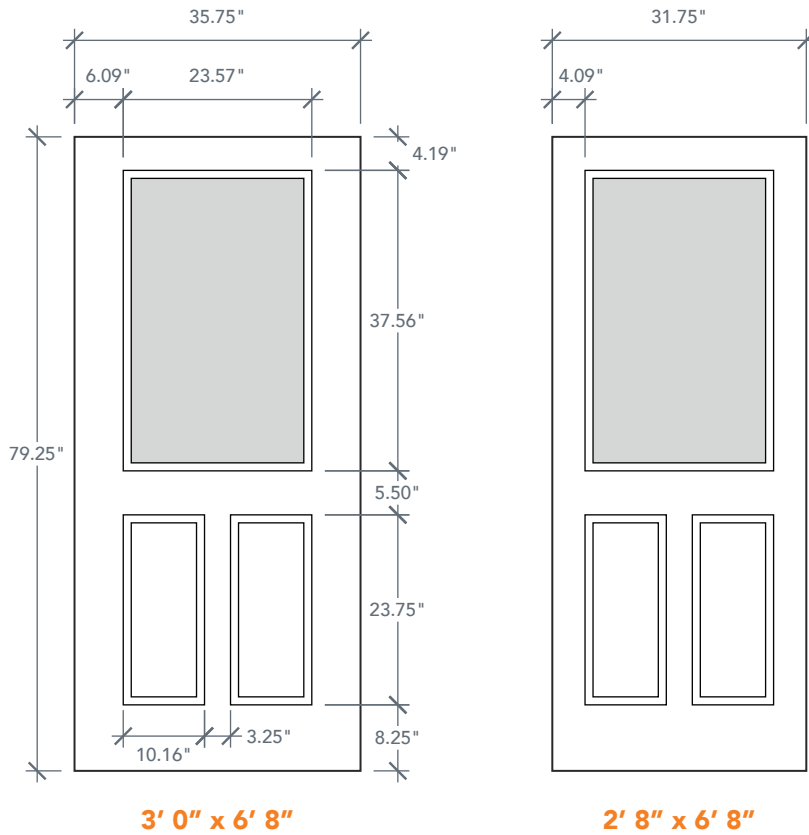
6'8" DRG12/DRS12 FLUSH GLAZED HALF LITE DOOR

OAK

SMOOTH

AVAILABLE SIZING

ARTWORK SCALE: 1/2"=1'

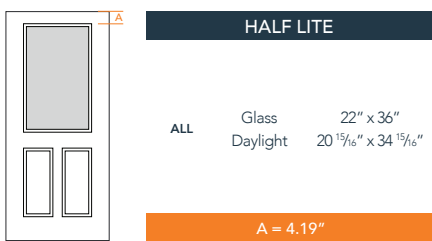


3' 0" x 6' 8"

2' 8" x 6' 8"

NOTE: BY REQUEST, DOOR HEIGHT COMES IN VARYING DIMENSIONS TO A MINIMUM OF 79". EXCESS WILL BE TAKEN FROM BOTTOM RAIL. ALL OTHER DIMENSIONS WILL REMAIN THE SAME.

GLASS & DAYLIGHT OPENING



A = DISTANCE FROM TOP OF DOOR TO TOP OF OPENING

MATCHING SIDELITES

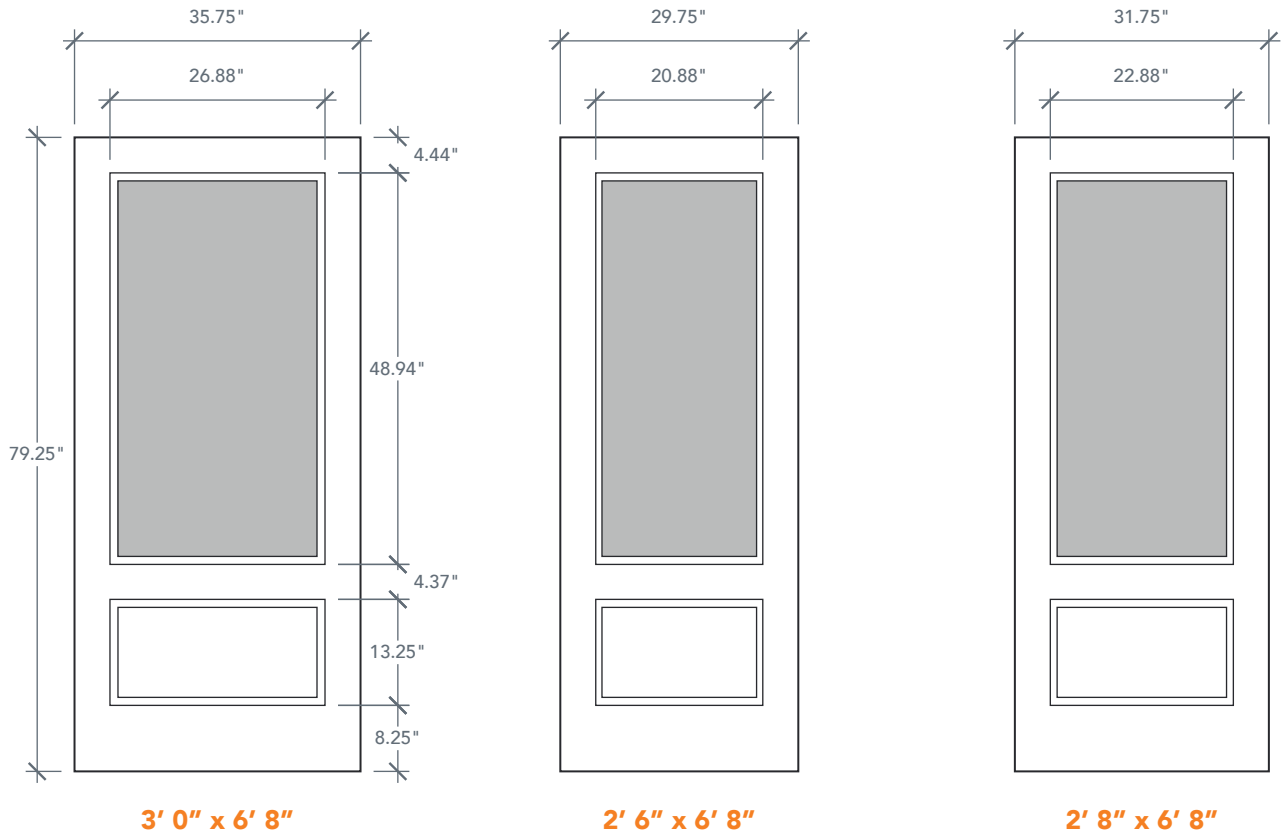


6'8" DRM13 FLUSH GLAZED 3/4 LITE DOOR

MAHOGANY

AVAILABLE SIZING

ARTWORK SCALE: 1/2"=1'



NOTE: BY REQUEST, DOOR HEIGHT COMES IN VARYING DIMENSIONS TO A MINIMUM OF 79". EXCESS WILL BE TAKEN FROM BOTTOM RAIL. ALL OTHER DIMENSIONS WILL REMAIN THE SAME.

GLASS & DAYLIGHT OPENING

FULL LITE			
	2'6"	Glass	20" x 48"
		Daylight	19 1/4" x 47 1/4"
	2'8"	Glass	22" x 48"
	Daylight	21 1/4" x 47 1/4"	
3'0"	Glass	26" x 48"	
	Daylight	25 1/4" x 47 1/4"	
A = 4.44"			

A = DISTANCE FROM TOP OF DOOR TO TOP OF OPENING

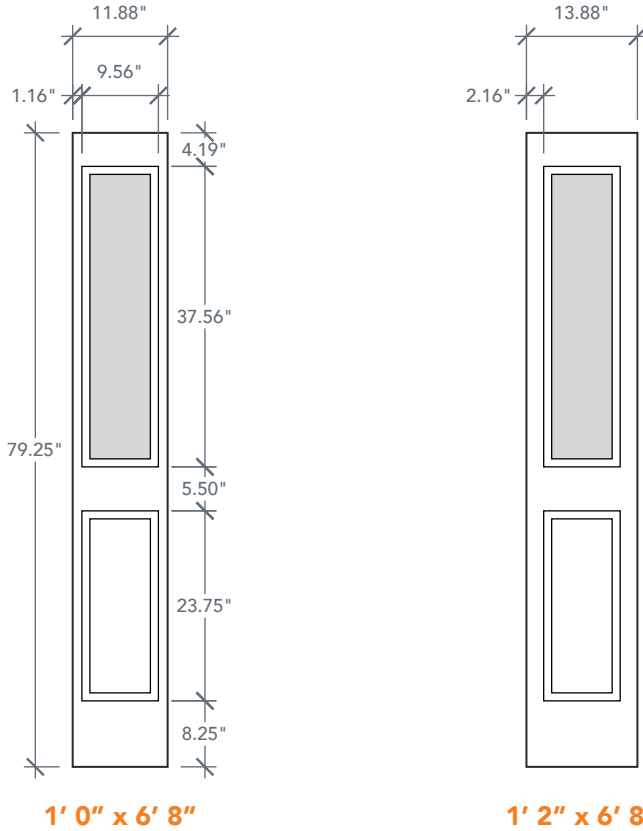
6'8" SLG12/SLS12 FLUSH GLAZED HALF LITE SIDELITE

OAK

SMOOTH

AVAILABLE SIZING

ARTWORK SCALE: 1/2"=1'



1' 0" x 6' 8"

1' 2" x 6' 8"

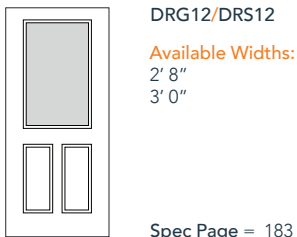
NOTE: BY REQUEST, SIDELITE HEIGHT COMES IN VARYING DIMENSIONS TO A MINIMUM OF 79". EXCESS WILL BE TAKEN FROM BOTTOM RAIL. ALL OTHER DIMENSIONS WILL REMAIN THE SAME.

GLASS & DAYLIGHT OPENING



A = DISTANCE FROM TOP OF DOOR TO TOP OF OPENING

MATCHING DOORS



NOVA SERIES

Plastpro's Nova Series is an absolute stunner that will turn your entryway into the neighborhood's main attraction. Our Nova Series is most notable for the tall spotless glass that is directly glazed into the door to create a seamless blend between the glass and door. The large glass pane can be outlined in two models: the 45 with a traditional, Craftsman sticking, in a Smooth or Fir skin, and the 90 with a modern, Shaker sticking and Brushed Smooth finish. Welcome beautiful scenery, natural light, and most importantly your loved ones into a space that outsiders can't help but envy a little.

PG 186 - 203

6'8" DRS1DL/DRF1DL NOVA 45 FULL LITE

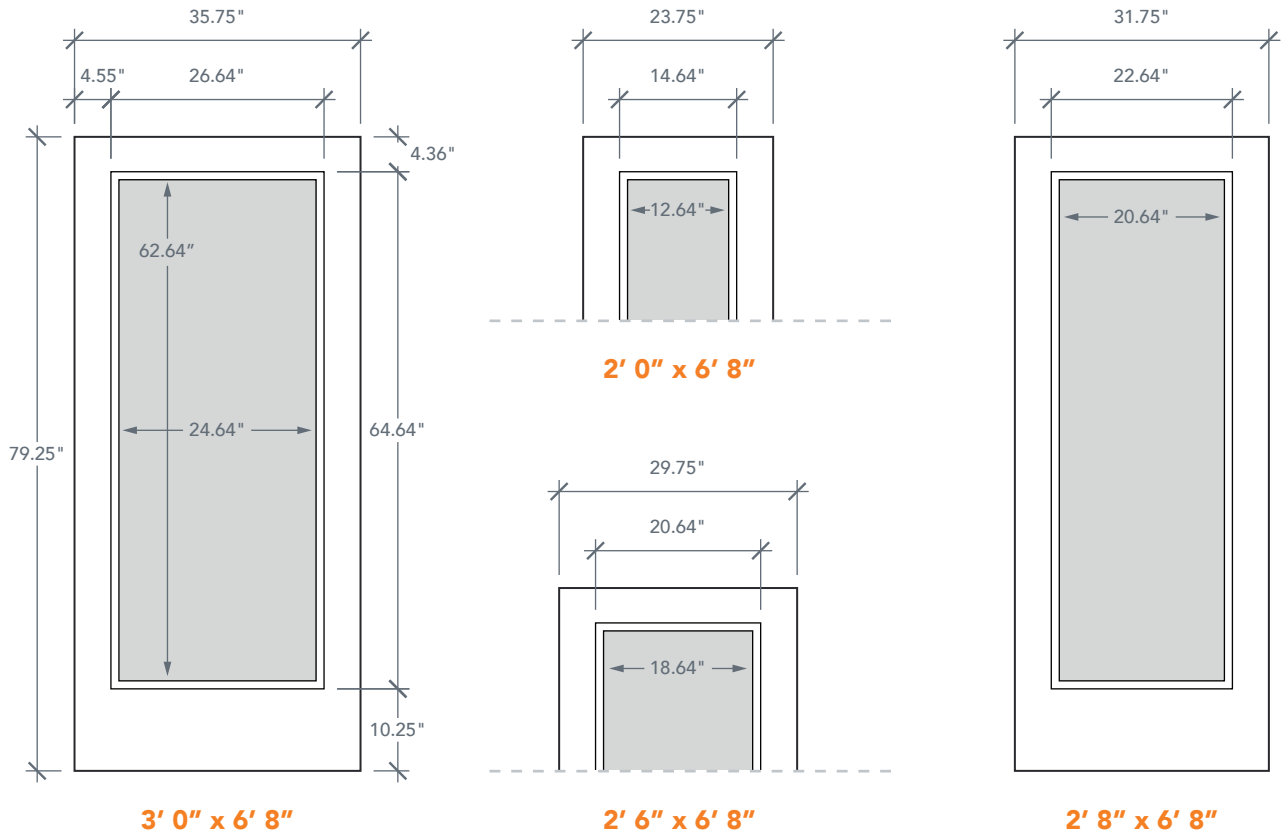
SMOOTH

FIR

DIRECT GLAZED

AVAILABLE SIZING

ARTWORK SCALE: 1/2"=1'



NOTE: BY REQUEST, DOOR HEIGHT COMES IN VARYING DIMENSIONS TO A MINIMUM OF 79". EXCESS WILL BE TAKEN FROM BOTTOM RAIL. ALL OTHER DIMENSIONS WILL REMAIN THE SAME.

8'0" DRS1D80L/DRF1D80L NOVA 45 FULL LITE

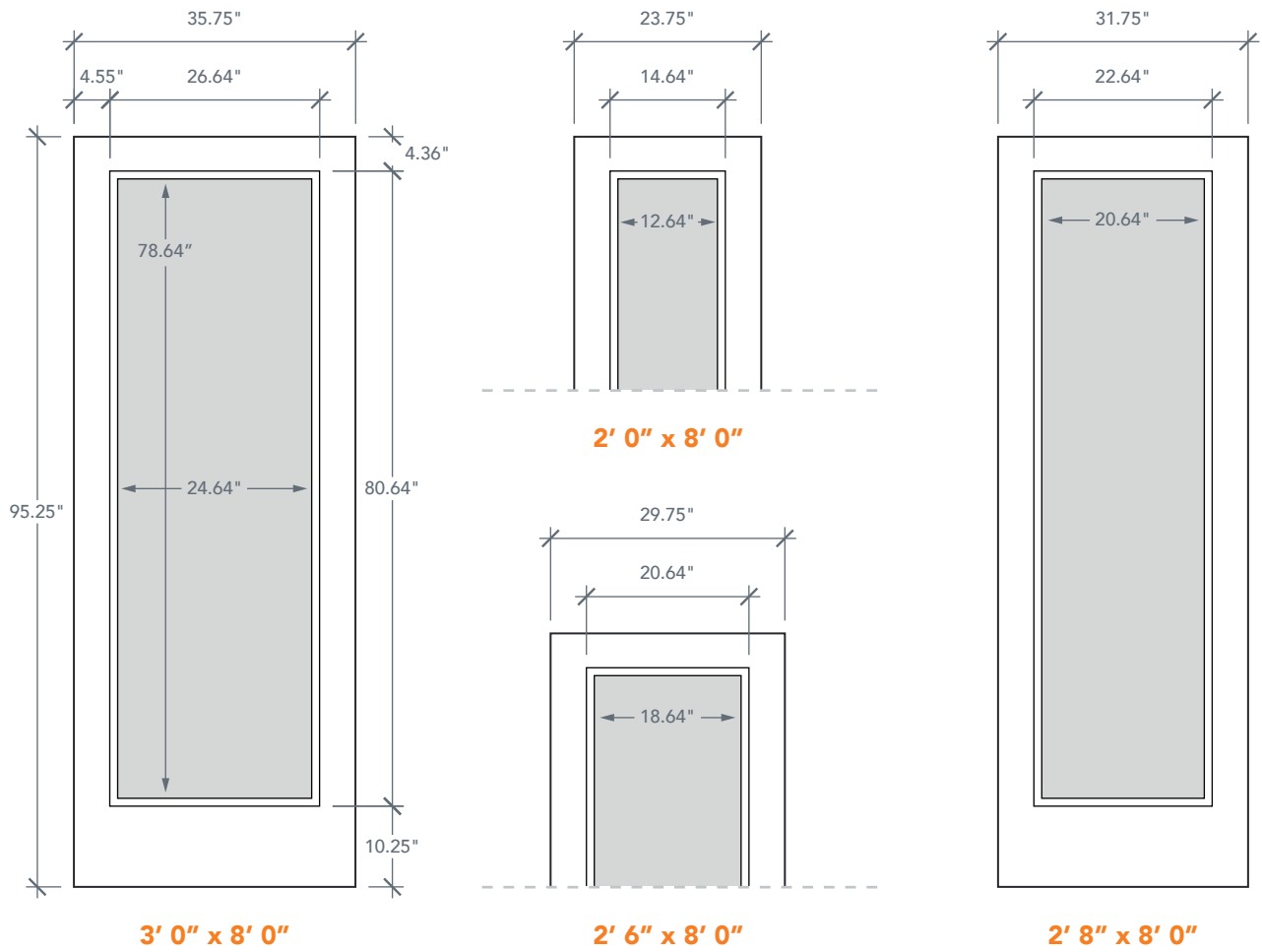
SMOOTH

FIR

DIRECT GLAZED

AVAILABLE SIZING

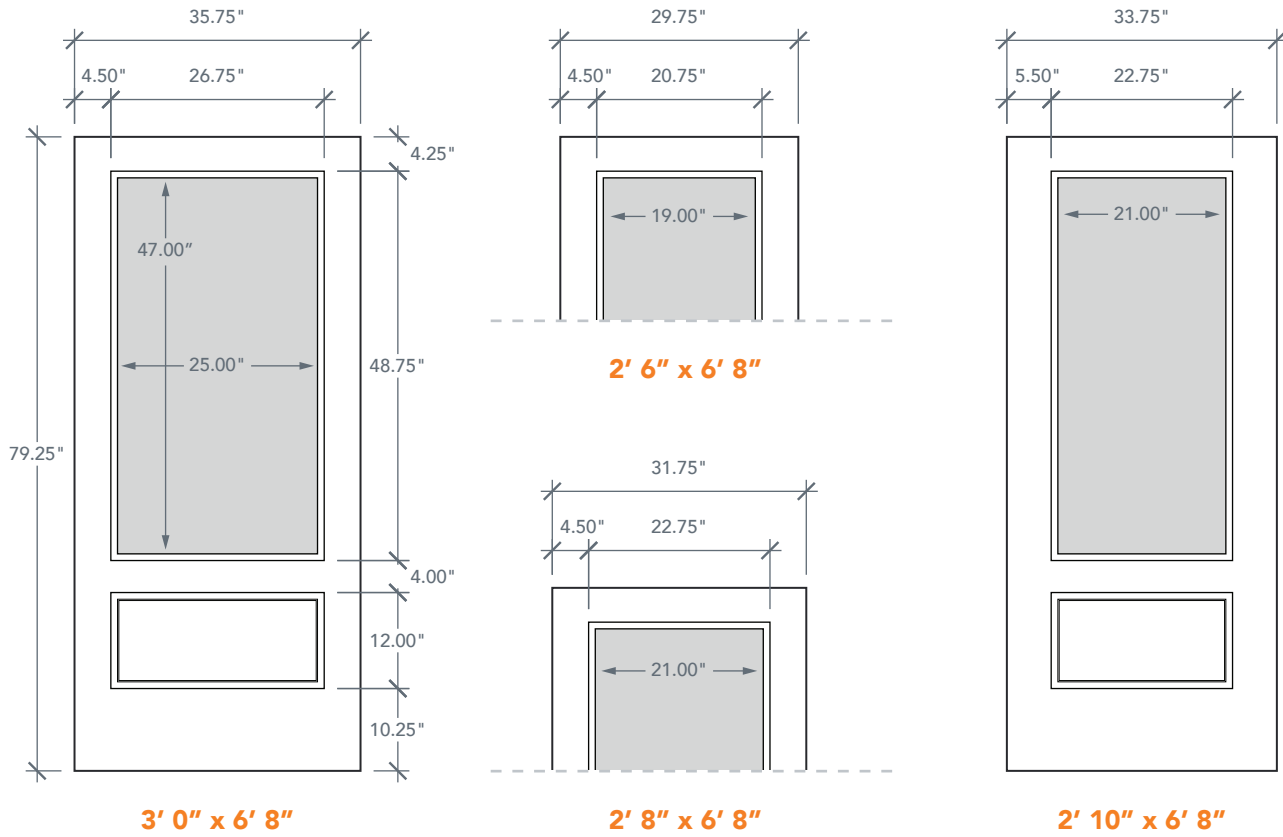
ARTWORK SCALE: 1/2"=1'



NOTE: BY REQUEST, DOOR HEIGHT COMES IN VARYING DIMENSIONS TO A MINIMUM OF 95". EXCESS WILL BE TAKEN FROM BOTTOM RAIL. ALL OTHER DIMENSIONS WILL REMAIN THE SAME.

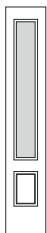
AVAILABLE SIZING

ARTWORK SCALE: 1/2"=1'



NOTE: BY REQUEST, DOOR HEIGHT COMES IN VARYING DIMENSIONS TO A MINIMUM OF 79". EXCESS WILL BE TAKEN FROM BOTTOM RAIL. ALL OTHER DIMENSIONS WILL REMAIN THE SAME.

MATCHING SIDELITES



SLS1E/SLB1E

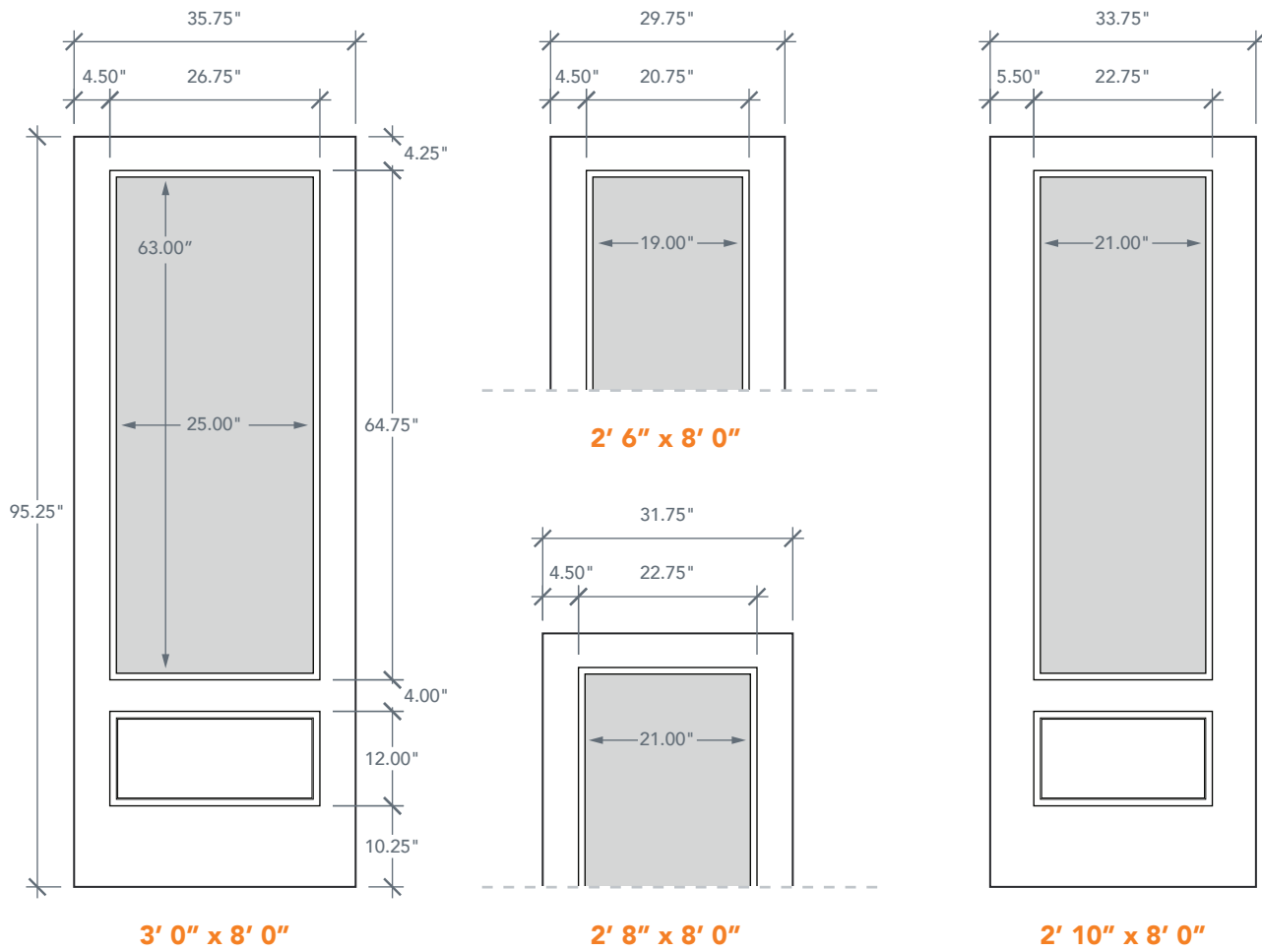
Available Widths:

- 1' 0"
- 1' 2"

Spec Page = 194

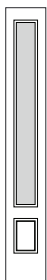
AVAILABLE SIZING

ARTWORK SCALE: 1/2"=1'



NOTE: BY REQUEST, DOOR HEIGHT COMES IN VARYING DIMENSIONS TO A MINIMUM OF 95". EXCESS WILL BE TAKEN FROM BOTTOM RAIL. ALL OTHER DIMENSIONS WILL REMAIN THE SAME.

MATCHING SIDELITES



SLS1E80/ SLB1E80

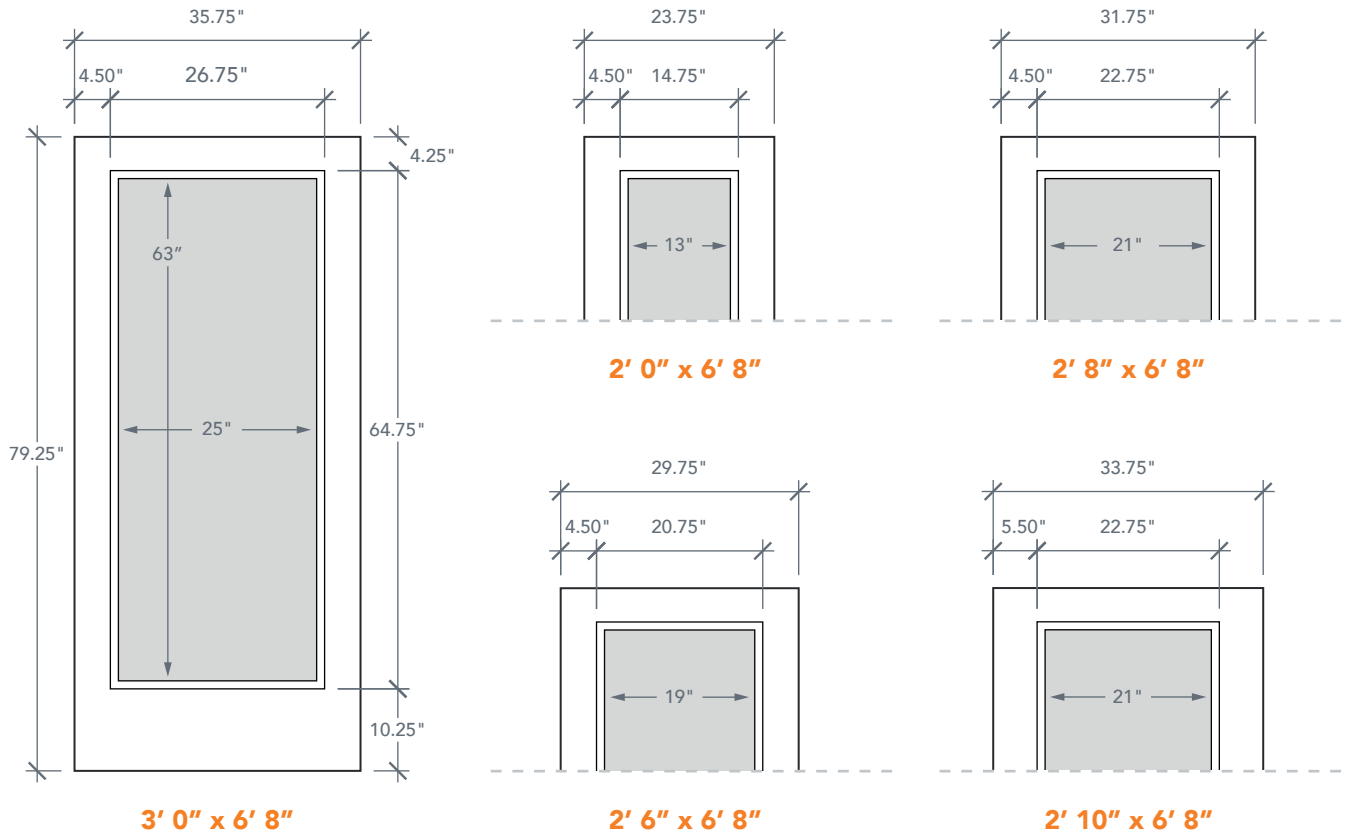
Available Widths:

- 1' 0"
- 1' 2"

Spec Page = 195

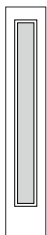
AVAILABLE SIZING

ARTWORK SCALE: 1/2"=1'



NOTE: BY REQUEST, DOOR HEIGHT COMES IN VARYING DIMENSIONS TO A MINIMUM OF 79". EXCESS WILL BE TAKEN FROM BOTTOM RAIL. ALL OTHER DIMENSIONS WILL REMAIN THE SAME.

MATCHING SIDELITES



SLS1S/ SLB1S

Available Widths:

- 1' 0"
- 1' 2"

Spec Page = 196

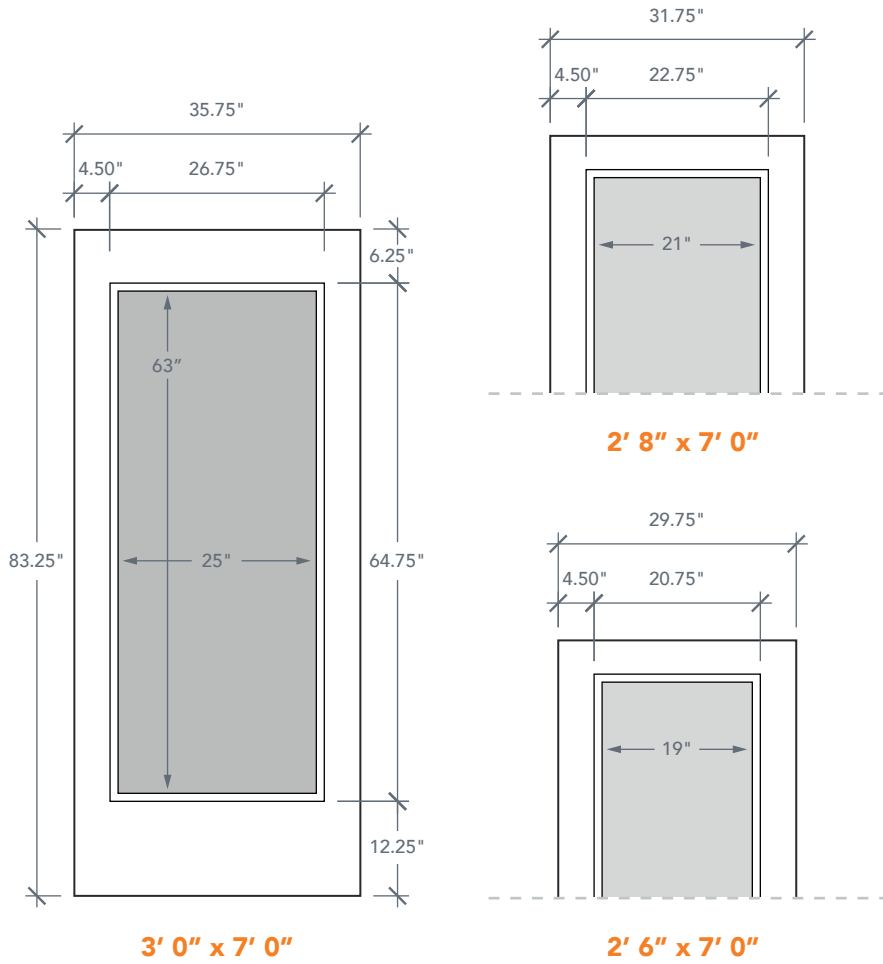
7'0" DRS1S70 NOVA 90 FULL LITE

BRUSHED SMOOTH

DIRECT GLAZED

AVAILABLE SIZING

ARTWORK SCALE: 1/2"=1'



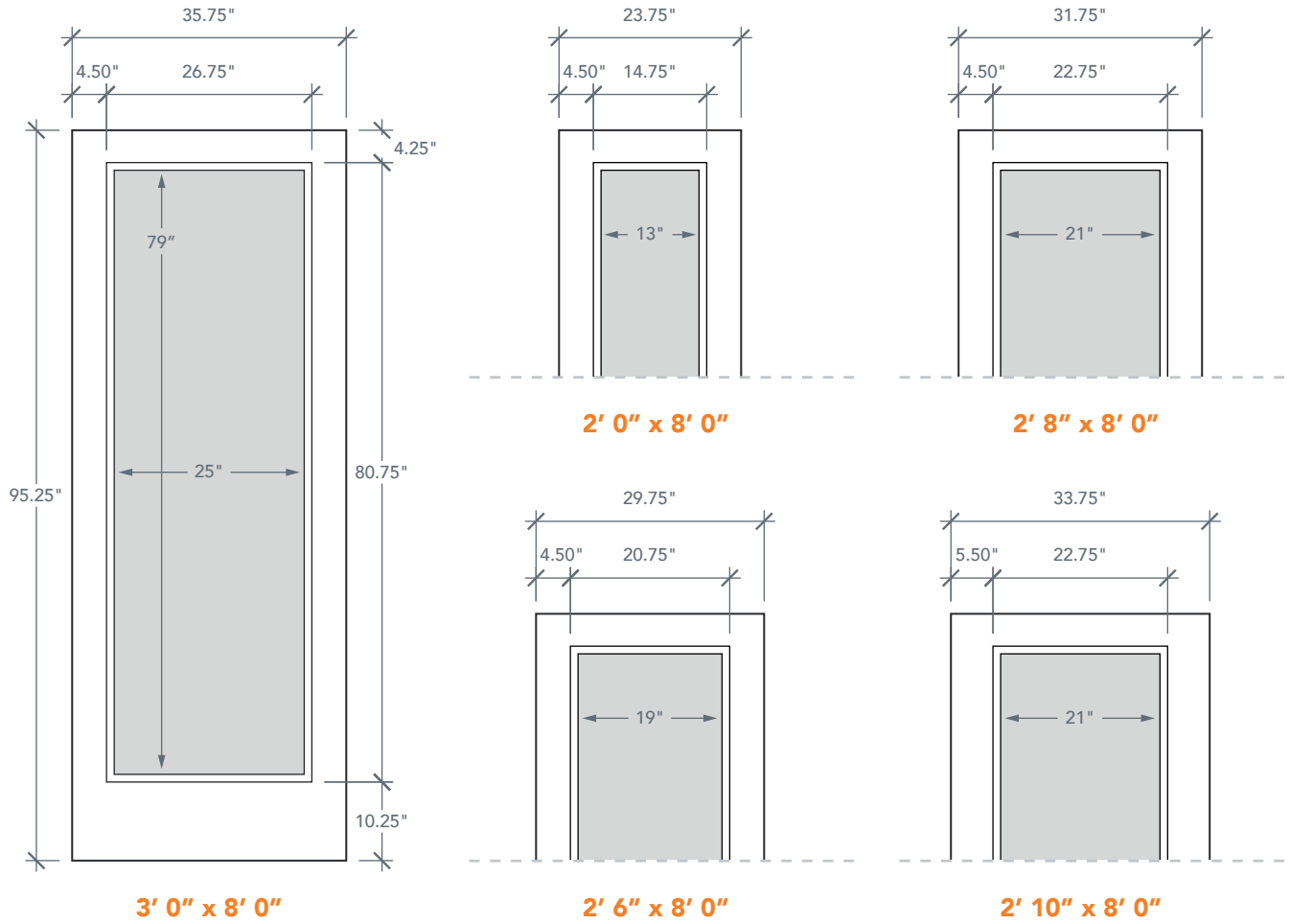
NOTE: BY REQUEST, DOOR HEIGHT COMES IN VARYING DIMENSIONS TO A MINIMUM OF 83". EXCESS WILL BE TAKEN FROM BOTTOM RAIL. ALL OTHER DIMENSIONS WILL REMAIN THE SAME.

8'0" DRS1S80 / DRB1S80 NOVA 90 FULL LITE

BRUSHED SMOOTH

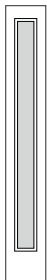
ONYX

DIRECT GLAZED



NOTE: BY REQUEST, DOOR HEIGHT COMES IN VARYING DIMENSIONS TO A MINIMUM OF 95". EXCESS WILL BE TAKEN FROM BOTTOM RAIL. ALL OTHER DIMENSIONS WILL REMAIN THE SAME.

MATCHING SIDELITES



SLS1S80/ SLB1S80

Available Widths:

1' 0"

1' 2"

Spec Page = 197

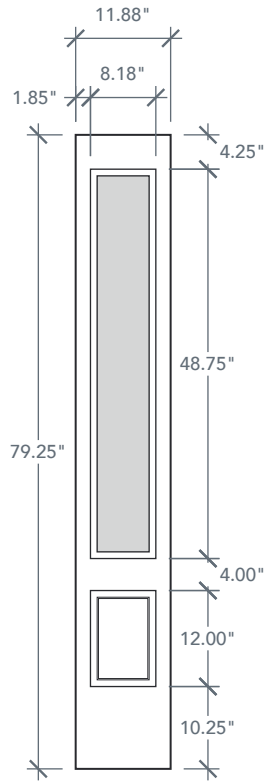
6'8" SLS1E / SLB1E NOVA 90 3/4 LITE SIDELITE

BRUSHED SMOOTH ONYX

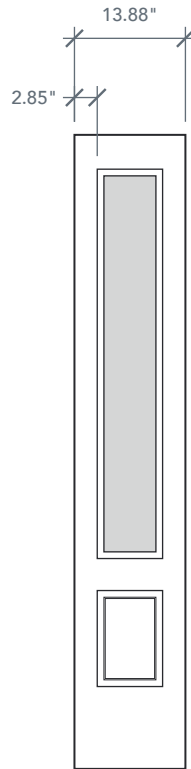
DIRECT GLAZED

AVAILABLE SIZING

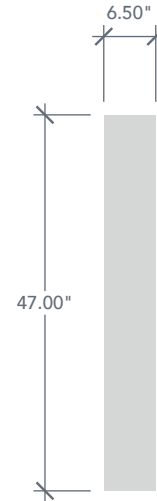
ARTWORK SCALE: 1/2"=1'



1' 0" x 6' 8"



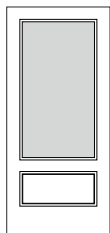
1' 2" x 6' 8"



Daylight Opening

NOTE: BY REQUEST, SIDELITE HEIGHT COMES IN VARYING DIMENSIONS TO A MINIMUM OF 79". EXCESS WILL BE TAKEN FROM BOTTOM RAIL. ALL OTHER DIMENSIONS WILL REMAIN THE SAME.

MATCHING DOORS



DRS1E/ DRB1E

Available Widths:

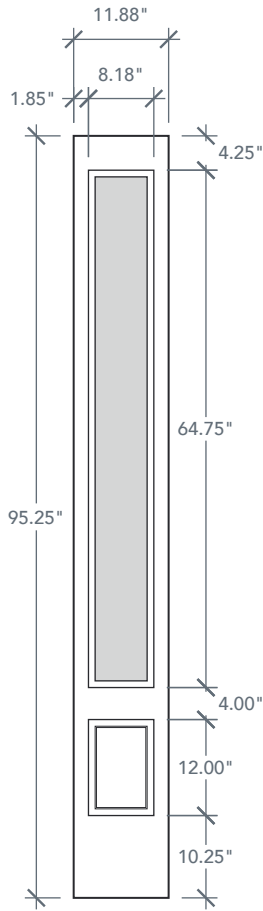
- 2' 6"
- 2' 8"
- 2' 10"
- 3' 0"

Spec Page = 189

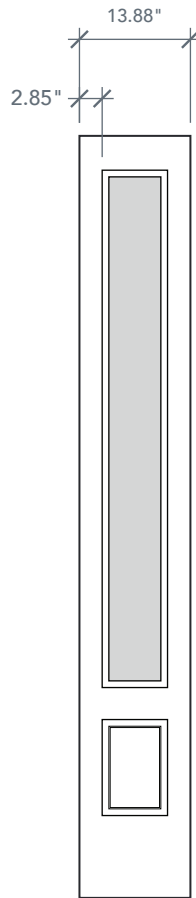
8'0" SLS1E80/SLB1E80 NOVA 90 3/4 LITE SIDELITE DIRECT GLAZED
BRUSHED SMOOTH ONYX

AVAILABLE SIZING

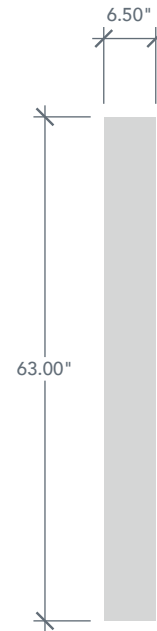
ARTWORK SCALE: 1/2"=1'



1' 0" x 8' 0"



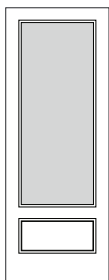
1' 2" x 8' 0"



Daylight Opening

NOTE: BY REQUEST, SIDELITE HEIGHT COMES IN VARYING DIMENSIONS TO A MINIMUM OF 95". EXCESS WILL BE TAKEN FROM BOTTOM RAIL. ALL OTHER DIMENSIONS WILL REMAIN THE SAME.

MATCHING DOORS



DRS1E80/ DRB1E80

Available Widths:

- 2' 6"
- 2' 8"
- 2' 10"
- 3' 0"

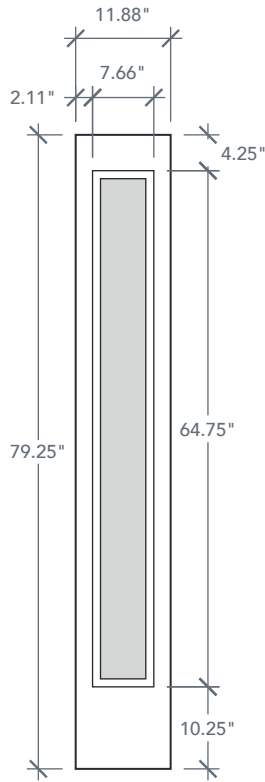
Spec Page = 190

6'8" SLS1S / SLB1S NOVA 90 FULL LITE SIDELITE DIRECT GLAZED

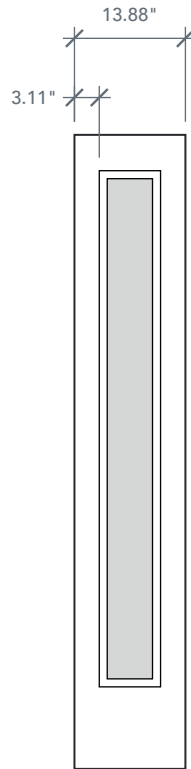
BRUSHED SMOOTH ONYX

AVAILABLE SIZING

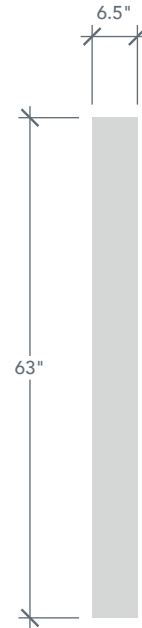
ARTWORK SCALE: 1/2"=1'



1' 0" x 6' 8"



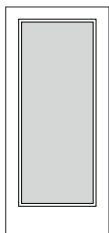
1' 2" x 6' 8"



Daylight Opening

NOTE: BY REQUEST, SIDELITE HEIGHT COMES IN VARYING DIMENSIONS TO A MINIMUM OF 79". EXCESS WILL BE TAKEN FROM BOTTOM RAIL. ALL OTHER DIMENSIONS WILL REMAIN THE SAME.

MATCHING DOORS



DRS1S/ DRB1S

Available Widths:

- 2' 0"
- 2' 6"
- 2' 8"
- 2' 10"
- 3' 0"

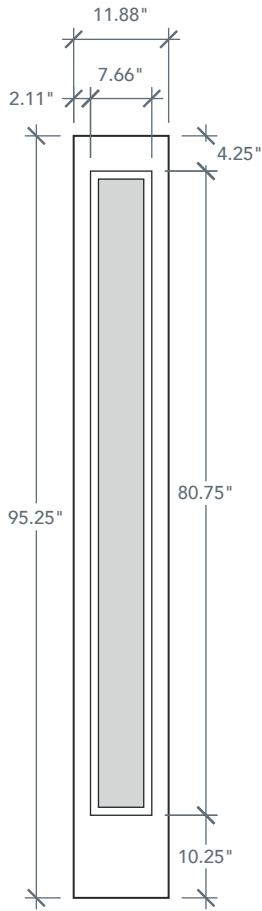
Spec Page = 191

8'0" SLS1S80/SLB1S80 NOVA 90 FULL LITE SIDELITE DIRECT GLAZED

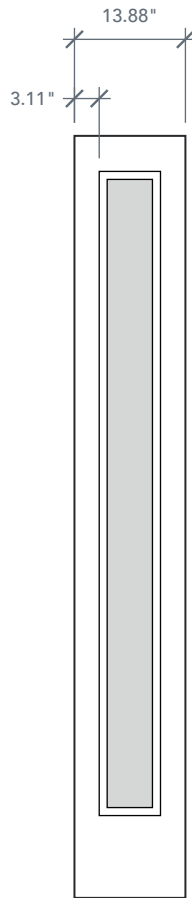
BRUSHED SMOOTH ONYX

AVAILABLE SIZING

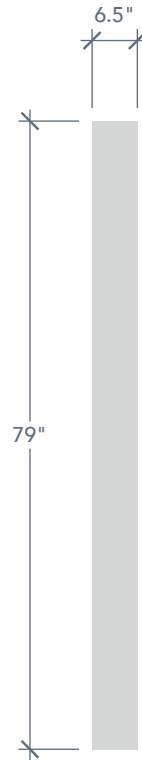
ARTWORK SCALE: 1/2"=1'



1' 0" x 8' 0"



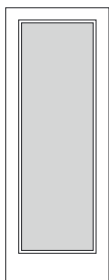
1' 2" x 8' 0"



Daylight Opening

NOTE: BY REQUEST, SIDELITE HEIGHT COMES IN VARYING DIMENSIONS TO A MINIMUM OF 95". EXCESS WILL BE TAKEN FROM BOTTOM RAIL. ALL OTHER DIMENSIONS WILL REMAIN THE SAME.

MATCHING DOORS



DRS1S80/ DRB1S80

Available Widths:

- 2' 0"
- 2' 6"
- 2' 8"
- 2' 10"
- 3' 0"

Spec Page = 193

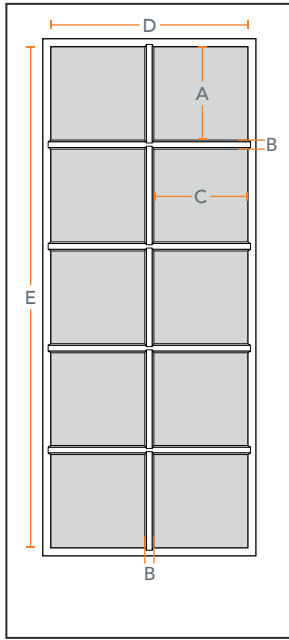
SDL BARS NOVA 45 - 10 LITE

SMOOTH & FIR

6'8" & 8'0"

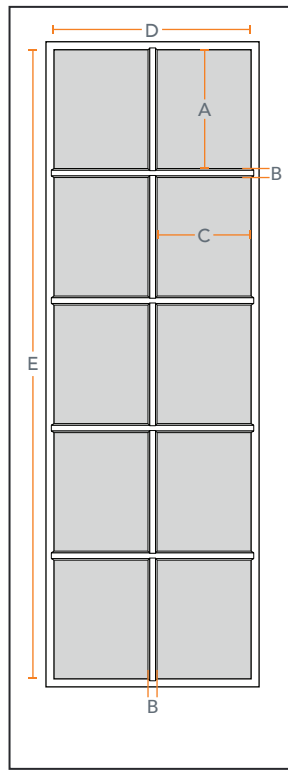
AVAILABLE SIZING

ARTWORK SCALE: 1/2"=1'



FIR - 10 LITE
ACSDF1D68-10L

SMOOTH - 10 LITE
ACSDW1D68-10L

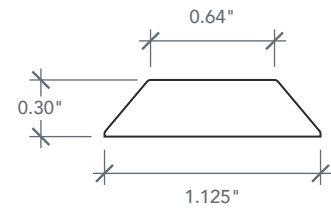


FIR - 10 LITE
ACSDF1D80-10L

SMOOTH - 10 LITE
ACSDW1D80-10L

SDL BAR SIDE PROFILE

ARTWORK SCALE: 1"=1"



DIMENSIONS

HEIGHT	ITEM	WIDTH	A	B	C	D	E	F
6'8"	ACSDF1D68D10L/ACSDW1D68D10L	2'0"	11.66"	1.13"	5.84"	13.30"	63.33"	N/A
	ACSDF1D68A10L/ACSDW1D68A10L	2'6"	11.66"	1.13"	8.84"	19.30"	63.33"	N/A
	ACSDF1D68B10L/ACSDW1D68B10L	2'8"	11.66"	1.13"	9.84"	21.30"	63.33"	N/A
	ACSDF1D68C10L/ACSDW1D68C10L	3'0"	11.66"	1.13"	11.84"	25.30"	63.33"	N/A

HEIGHT	ITEM	WIDTH	A	B	C	D	E	F
8'0"	ACSDF1D80D10L/ACSDW1D80D10L	2'0"	14.68"	1.13"	5.84"	13.30"	79.33"	N/A
	ACSDF1D80A10L/ACSDW1D80A10L	2'6"	14.68"	1.13"	8.84"	19.30"	79.33"	N/A
	ACSDF1D80B10L/ACSDW1D80B10L	2'8"	14.68"	1.13"	9.84"	21.30"	79.33"	N/A
	ACSDF1D80C10L/ACSDW1D80C10L	3'0"	14.68"	1.13"	11.84"	25.30"	79.33"	N/A

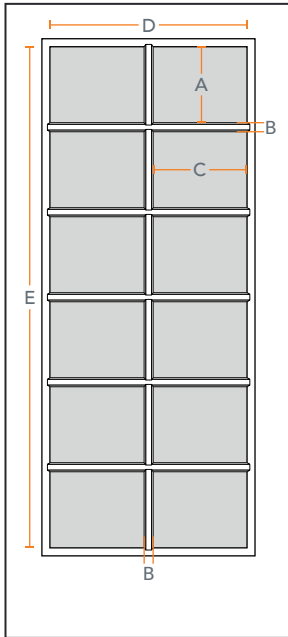
SDL BARS NOVA 45 - 12 LITE

SMOOTH & FIR

6'8" & 8'0"

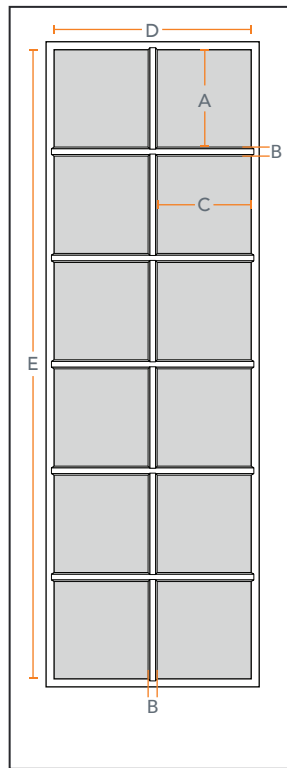
AVAILABLE SIZING

ARTWORK SCALE: 1/2"=1'



FIR - 12 LITE
ACSDF1D68-12L26

SMOOTH - 12 LITE
ACSDW1D68-12L26

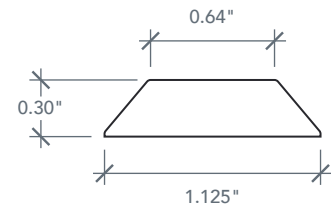


FIR - 12 LITE
ACSDF1D80-12L26

SMOOTH - 12 LITE
ACSDW1D80-12L26

SDL BAR SIDE PROFILE

ARTWORK SCALE: 1"=1"



DIMENSIONS

HEIGHT	ITEM	WIDTH	A	B	C	D	E	F
6'8"	ACSDF1D68D12L26/ACSDW1D68D12L26	2'0"	9.53"	1.13"	5.84"	13.30"	63.33"	N/A
	ACSDF1D68A12L26/ACSDW1D68A12L26	2'6"	9.53"	1.13"	8.84"	19.30"	63.33"	N/A
	ACSDF1D68B12L26/ACSDW1D68B12L26	2'8"	9.53"	1.13"	9.84"	21.30"	63.33"	N/A
	ACSDF1D68C12L26/ACSDW1D68C12L26	3'0"	9.53"	1.13"	11.84"	25.30"	63.33"	N/A

HEIGHT	ITEM	WIDTH	A	B	C	D	E	F
8'0"	ACSDF1D80D12L26/ACSDW1D80D12L26	2'0"	12.20"	1.13"	5.84"	13.30"	79.33"	N/A
	ACSDF1D80A12L26/ACSDW1D80A12L26	2'6"	12.20"	1.13"	8.84"	19.30"	79.33"	N/A
	ACSDF1D80B12L26/ACSDW1D80B12L26	2'8"	12.20"	1.13"	9.84"	21.30"	79.33"	N/A
	ACSDF1D80C12L26/ACSDW1D80C12L26	3'0"	12.20"	1.13"	11.84"	25.30"	79.33"	N/A

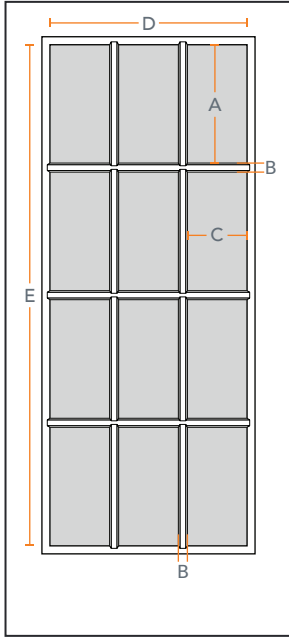
SDL BARS NOVA 45 - 12 LITE

SMOOTH & FIR

6'8" & 8'0"

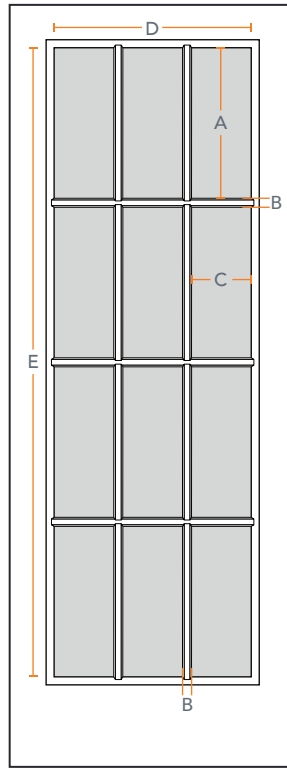
AVAILABLE SIZING

ARTWORK SCALE: 1/2"=1'



FIR - 12 LITE
ACSDF1D68-12L34

SMOOTH - 12 LITE
ACSDW1D68-12L34

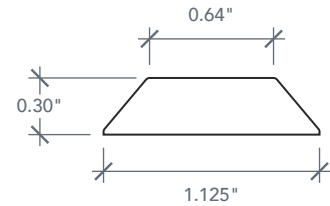


FIR - 12 LITE
ACSDF1D80-12L34

SMOOTH - 12 LITE
ACSDW1D80-12L34

SDL BAR SIDE PROFILE

ARTWORK SCALE: 1"=1"



DIMENSIONS

HEIGHT	ITEM	WIDTH	A	B	C	D	E	F
6'8"	ACSDF1D68D12L34/ACSDW1D68D12L34	2'0"	14.86"	1.13"	3.52"	13.30"	63.33"	N/A
	ACSDF1D68A12L34/ACSDW1D68A12L34	2'6"	14.86"	1.13"	5.52"	19.30"	63.33"	N/A
	ACSDF1D68B12L34/ACSDW1D68B12L34	2'8"	14.86"	1.13"	6.12"	21.30"	63.33"	N/A
	ACSDF1D68C12L34/ACSDW1D68C12L34	3'0"	14.86"	1.13"	7.52"	25.30"	63.33"	N/A

HEIGHT	ITEM	WIDTH	A	B	C	D	E	F
8'0"	ACSDF1D80D12L34/ACSDW1D80D12L34	2'0"	18.86"	1.13"	3.52"	13.30"	79.33"	N/A
	ACSDF1D80A12L34/ACSDW1D80A12L34	2'6"	18.86"	1.13"	5.52"	19.30"	79.33"	N/A
	ACSDF1D80B12L34/ACSDW1D80B12L34	2'8"	18.86"	1.13"	6.12"	21.30"	79.33"	N/A
	ACSDF1D80C12L34/ACSDW1D80C12L34	3'0"	18.86"	1.13"	7.52"	25.30"	79.33"	N/A

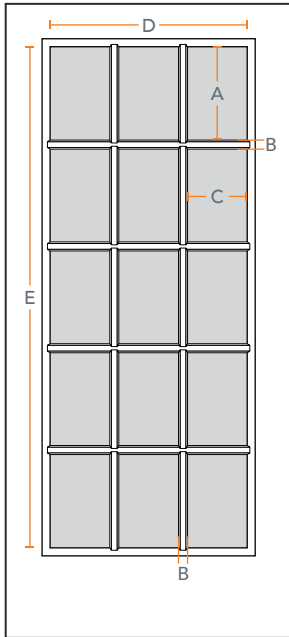
SDL BARS NOVA 45 - 15 LITE

SMOOTH & FIR

6'8" & 8'0"

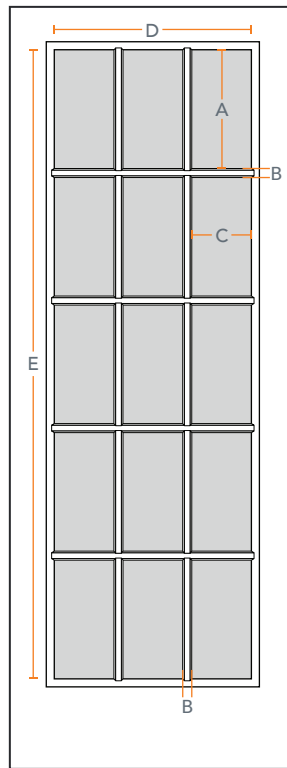
AVAILABLE SIZING

ARTWORK SCALE: 1/2"=1'



FIR - 15 LITE
ACSDF1D68-15L

SMOOTH - 15 LITE
ACSDW1D68-15L

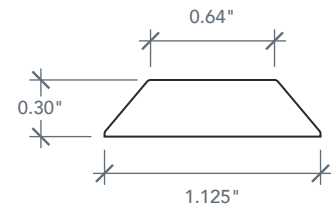


FIR - 15 LITE
ACSDF1D80-15L

SMOOTH - 15 LITE
ACSDW1D80-15L

SDL BAR SIDE PROFILE

ARTWORK SCALE: 1"=1"



DIMENSIONS

HEIGHT	ITEM	WIDTH	A	B	C	D	E	F
6'8"	ACSDF1D68D15L/ACSDW1D68D15L	2'0"	11.66"	1.13"	3.52"	13.30"	63.33"	N/A
	ACSDF1D68A15L/ACSDW1D68A15L	2'6"	11.66"	1.13"	5.52"	19.30"	63.33"	N/A
	ACSDF1D68B15L/ACSDW1D68B15L	2'8"	11.66"	1.13"	6.12"	21.30"	63.33"	N/A
	ACSDF1D68C15L/ACSDW1D68C15L	3'0"	11.66"	1.13"	7.52"	25.30"	63.33"	N/A

HEIGHT	ITEM	WIDTH	A	B	C	D	E	F
8'0"	ACSDF1D80D15L/ACSDW1D80D15L	2'0"	14.86"	1.13"	3.52"	13.30"	79.33"	N/A
	ACSDF1D80A15L/ACSDW1D80A15L	2'6"	14.86"	1.13"	5.52"	19.30"	79.33"	N/A
	ACSDF1D80B15L/ACSDW1D80B15L	2'8"	14.86"	1.13"	6.12"	21.30"	79.33"	N/A
	ACSDF1D80C15L/ACSDW1D80C15L	3'0"	14.86"	1.13"	7.52"	25.30"	79.33"	N/A

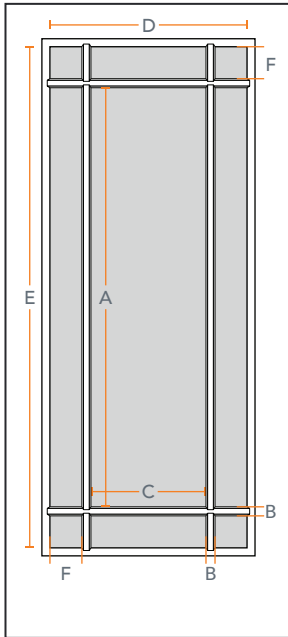
SDL BARS NOVA 45 - 9 LITE

SMOOTH & FIR

6'8" & 8'0"

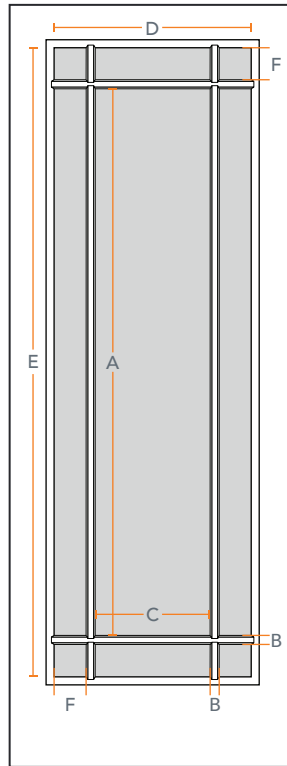
AVAILABLE SIZING

ARTWORK SCALE: 1/2"=1'



FIR - 9 LITE
ACSDF1D68-9LQ

SMOOTH - 9 LITE
ACSDW1D68-9LQ

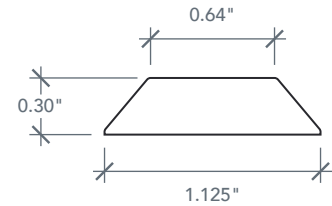


FIR - 9 LITE
ACSDF1D80-9LQ

SMOOTH - 9 LITE
ACSDW1D80-9LQ

SDL BAR SIDE PROFILE

ARTWORK SCALE: 1"=1"



DIMENSIONS

HEIGHT	ITEM	WIDTH	A	B	C	D	E	F
6'8"	ACSDF1D68D9LQ/ACSDW1D68D9LQ	2'0"	52.56"	1.13"	2.56"	13.30"	63.33"	4"
	ACSDF1D68A9LQ/ACSDW1D68A9LQ	2'6"	52.56"	1.13"	8.56"	19.30"	63.33"	4"
	ACSDF1D68B9LQ/ACSDW1D68B9LQ	2'8"	52.56"	1.13"	10.56"	21.30"	63.33"	4"
	ACSDF1D68C9LQ/ACSDW1D68C9LQ	3'0"	52.56"	1.13"	14.56"	25.30"	63.33"	4"

HEIGHT	ITEM	WIDTH	A	B	C	D	E	F
8'0"	ACSDF1D80D9LQ/ACSDW1D80D9LQ	2'0"	68.56"	1.13"	2.56"	13.30"	79.33"	4"
	ACSDF1D80A9LQ/ACSDW1D80A9LQ	2'6"	68.56"	1.13"	8.56"	19.30"	79.33"	4"
	ACSDF1D80B9LQ/ACSDW1D80B9LQ	2'8"	68.56"	1.13"	10.56"	21.30"	79.33"	4"
	ACSDF1D80C9LQ/ACSDW1D80C9LQ	3'0"	68.56"	1.13"	14.56"	25.30"	79.33"	4"



DOORLITE SERIES

A beautifully designed entryway helps set the stage for the rest of the home and creates a welcoming passage from public space to private abode. Nothing accompanies that transition better than our exclusive glass designs, which improve the look and value of the home.

Our doorlites are composed of a piece of decorative glass sealed between two pieces of tempered safety glass that provides exceptional security, soundproofing, and thermal performance. The state-of-the-art Warm Edge spacer system provides a seal that protects and insulates the door and home for years to come. Unlike the competition, our metal coming includes a gasket that cushions and protects the glass from chipping, cracking, and rattling during door movement.

PG 204 - 208

GLASS SIZES & CUTOUT CODES

341 8" x 48"	342 22" x 48"	343 25" x 48"	344 24 1/4" x 38"	346 29 3/8" x 50 1/4"	3R4 24 1/4" x 38"	3R5 25 3/8" x 50 1/4"
3R6 29 3/8" x 50 1/4"	3V1 7" x 39 1/2"	3V2 16.78" x 38.72"	3V3 13" x 53"	8C1 8" x 41"	8C2 9 3/4" x 41"	8C3 9 1/2" x 57 1/4"
9P1 7 1/2" x 18 1/2"	EYE 11 20/61" x 36 3/4"	FL1 7" x 64"	FL2 8" x 80"	FL5 20" x 64"	FL6 20" x 80"	FL7 22" x 64"
FL8 22" x 80"	HL2 8" x 36"	HL3 20" x 36"	HL4 22" x 36"	HL6 25 1/2" x 50"	HR1 22" x 10"	TL1 25 1/2" x 8 1/4"
TL3 25" x 15"	TL5 20" x 8 1/4"	TR1R 63" x 12"	TR2R 66 1/2" x 13"			

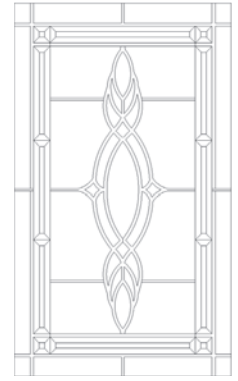
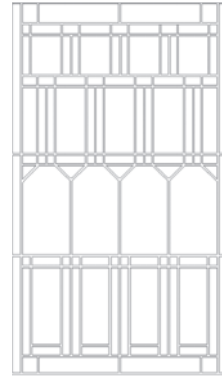
GLASS & SIZE

CAMELIA

PRISCILLA

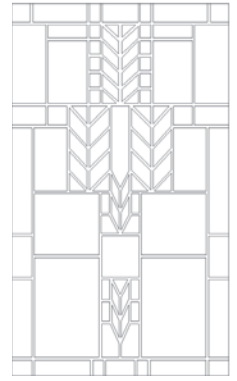
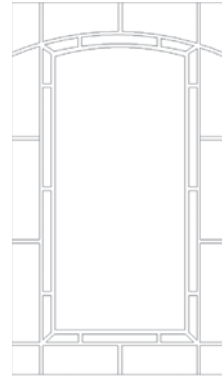
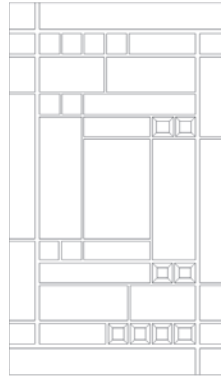
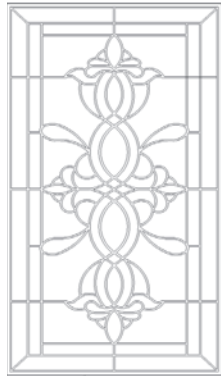
ARTESANO BREEZE

BRENTWOOD



341	8" x 48"			■	■
342	22" x 48"	■	■	■	■
343	25" x 48"				
344	24 1/4" x 38"	■	■		
346	29 3/8" x 50 1/4"	■	■		
3R4	24 1/4" x 38"	■	■		
3R5	25 3/8" x 50 1/4"	■	■		
3R6	29 3/8" x 50 1/4"	■	■		
3V1	7" x 39 1/2"				■
3V2	16.78" x 38.72"				■
3V3	13" x 53"				■
8C1	8" x 41"	■	■	■	■
8C2	9 3/4" x 41"	■	■	■	■
8C3	9 1/2" x 57 1/4"				■
9P1	7 1/2" x 18 1/2"				■
EYE	11 20/61" x 36 3/4"				■
FL1	7" x 64"	■	■	■	■
FL2	8" x 80"	■	■	■	■
FL5	20" x 64"	■	■	■	
FL6	20" x 80"	■	■		
FL7	22" x 64"	■	■	■	■
FL8	22" x 80"	■	■	■	■
HL2	8" x 36"			■	■
HL3	20" x 36"			■	
HL4	22" x 36"			■	■
HL6	25 1/2" x 50"	■	■		
HR1	22" x 10"				
TL1	25 1/2" x 8 1/4"			■	
TL3	25" x 15"			■	■
TL5	20" x 8 1/4"			■	
TR1R	63" x 12"	■	■	■	■
TR2R	66 1/2" x 13"	■	■	■	■

GLASS & SIZE	CASTILE	KENSINGTON	SOLSTICE	SPRING
--------------	---------	------------	----------	--------



341	8" x 48"	■	■	■	■
342	22" x 48"	■	■	■	■
343	25" x 48"	■			
344	24 ¼" x 38"				
346	29 ¾" x 50 ¼"				
3R4	24 ¼" x 38"				
3R5	25 ¾" x 50 ¼"				
3R6	29 ¾" x 50 ¼"				
3V1	7" x 39 ½"	■			
3V2	16.78" x 38.72"	■			
3V3	13" x 53"	■			
8C1	8" x 41"				
8C2	9 ¾" x 41"				
8C3	9 ½" x 57 ¼"	■			
9P1	7 ½" x 18 ½"				■
EYE	11 20/61" x 36 ¾"				
FL1	7" x 64"	■	■	■	■
FL2	8" x 80"	■	■	■	■
FL5	20" x 64"	■	■	■	
FL6	20" x 80"				
FL7	22" x 64"	■	■	■	■
FL8	22" x 80"	■	■	■	
HL2	8" x 36"	■	■	■	■
HL3	20" x 36"	■	■	■	
HL4	22" x 36"	■	■	■	■
HL6	25 ½" x 50"	■			■
HR1	22" x 10"	■			
TL1	25 ½" x 8 ¼"				■
TL3	25" x 15"			■	■
TL5	20" x 8 ¼"				
TR1R	63" x 12"	■	■	■	■
TR2R	66 ½" x 13"	■	■	■	■

TESTING RESULTS

ASTM D1761	Screw holding capacity.
NWWDA TM-7	Cycle slam test.
NWWDA TM-8	Hinge load resistance test.
ASTM E 283	Air infiltration.
ASTM E 331 / E 547	Water resistant.
ASTM E 330	Uniform structural load.
ASTM E1886 / E1996	Impact / cycle test.
AAMA 1304	Forced entry resistance test.
TAS 201	Impact test.
TAS 202	Air / water / structural test.
TAS 203	Wind pressure cycle test.
NFRC 100 / 200 / 500	Energy efficiency.
ASTEM E90 / STC / OITC	Sound transmission.
ULC 10 C / NFPA 252 / ASTM E 2074	Fire rated.
CDPH / EHLB METHOD V1.1 2010	Volatile organic chemical emission test.
JIS Z 2801:2001	Antimicrobial products test.
ASTM D1413-07	Antifungal wood plastic composite test.
CSFM 12-7A-1	Exterior wildfire exposure test.
AAMA 1702	Exterior door test for manufactured housing.
AAMA 920	Operating cycle test.
AAMA / WDMA / CSA 101 / I.S./A440 (NAFS)	North America fenestration test.

The PLASTPRO DOOR met requirements for sawing, planing, routing, boring, drilling and chiseling. For more specific results, please see our website at www.plastproinc.com or contact our Customer Service Department at 1 (800) 779-0561.



WARNING: These products may include styrene, titanium dioxide, and wood dust, which are known to the State of California to cause cancer. For more information go to www.p65warnings.ca.gov



www.plastproinc.com

5200 W. Century Blvd, 9th Floor ■ Los Angeles, CA 90045

Phone: (800) 779-0561 ■ Fax: (310) 693-8620



© 2025 Plastpro Inc. All Rights Reserved

Product # MKLSB2025

Updated May 2025