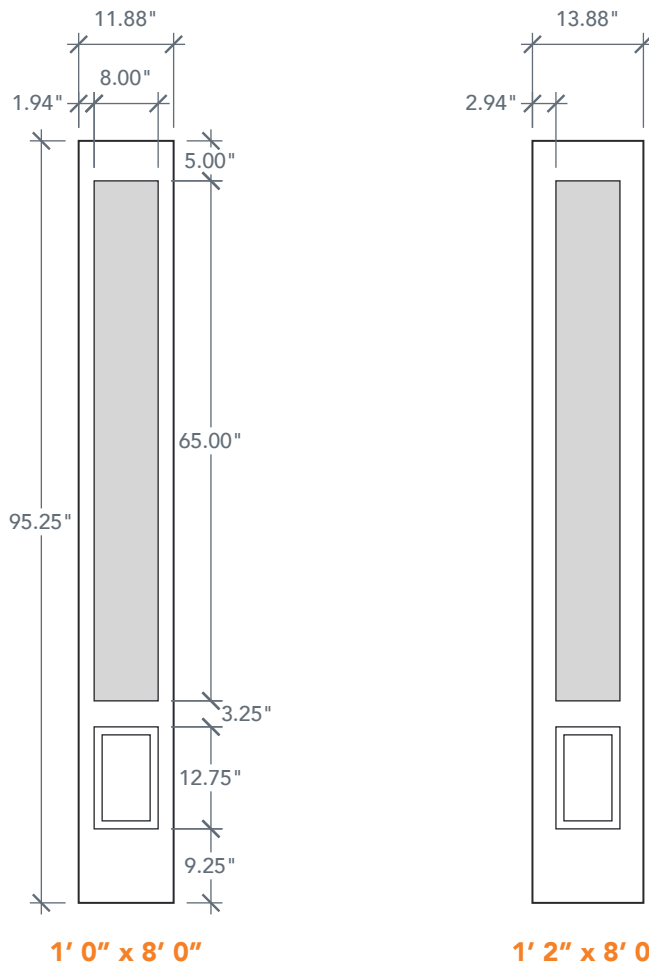


8'0" SLS3080 3/4 THREE PANEL SIDELITE

SMOOTH SERIES

AVAILABLE SIZING

ARTWORK SCALE: 1/2"=1'

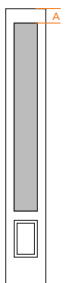


1' 0" x 8' 0"

1' 2" x 8' 0"

NOTE: BY REQUEST, SIDELITE HEIGHT COMES IN VARYING DIMENSIONS TO A MINIMUM OF 95". EXCESS WILL BE TAKEN FROM BOTTOM RAIL. ALL OTHER DIMENSIONS WILL REMAIN THE SAME.

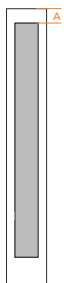
CUTOUTS & GLASS



3/4 LITE	
FL1	

ALL Cutout 8" x 65"
Glass 7" x 64"

A = 5.0"



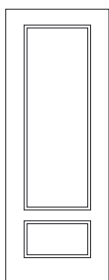
FULL LITE	
FL2	

ALL Cutout 9" x 81"
Glass 8" x 80"

A = 5.0"

A = DISTANCE FROM TOP OF DOOR TO TOP OF OPENING

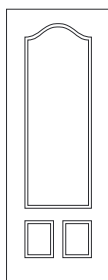
MATCHING DOORS



DRS2980

Available Widths:

- 2' 8"
- 2' 10"
- 3' 0"



DRS3080

Available Widths:

- 2' 8"
- 3' 0"
- 3' 6"