

# SDL BARS SIMULATED DIVIDED LITES

SMOOTH & FIR

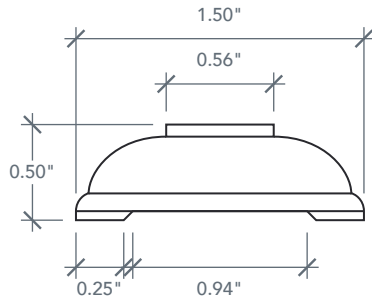
OVOLO PROFILE SIDELITE OPTIONS

CRAFTSMAN SERIES

2025 PLASTPRO SPECBOOK PAGE: 44

## ACCESSORY DIMENSIONS

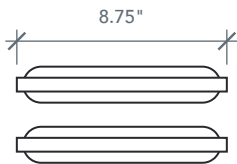
ARTWORK SCALE: AS NOTED



### SDL BAR SIDE PROFILE

ARTWORK SCALE: 1"=1"

**ACSDF23004 2-LITE** FOR 6'8" & 8'0" FIR SIDELITE  
**ACSDFW23004 2-LITE** FOR 6'8" & 8'0" SMOOTH SIDELITE



## ACCESSORY INFO

ARTWORK SCALE: 1 1/2"=1"

**Pieces Per Set: 2**  
8 3/4" SDL Bars ( 2 pcs. )

**Matching Sidelites:**  
SLF3C G000  
SLF3C80 G000  
SLS3C G000  
SLS3C80 G000

