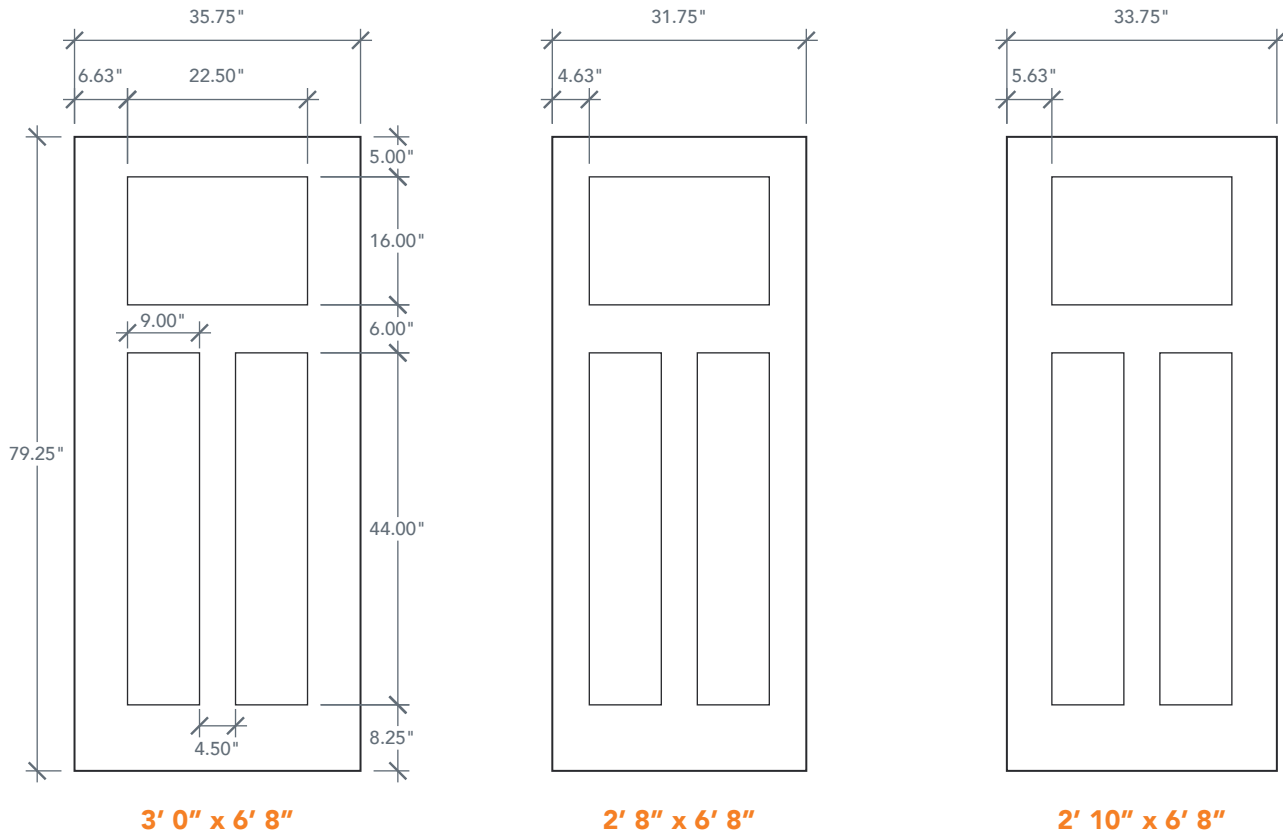


AVAILABLE SIZING

ARTWORK SCALE: 1/2"=1'



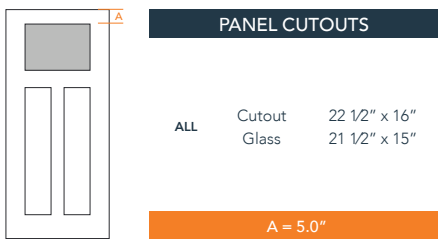
3' 0" x 6' 8"

2' 8" x 6' 8"

2' 10" x 6' 8"

NOTE: BY REQUEST, DOOR HEIGHT COMES IN VARYING DIMENSIONS TO A MINIMUM OF 79". EXCESS WILL BE TAKEN FROM BOTTOM RAIL. ALL OTHER DIMENSIONS WILL REMAIN THE SAME.

CUTOUTS & GLASS



A = DISTANCE FROM TOP OF DOOR TO TOP OF OPENING.
NOTE: PLASTPRO DOES NOT PROVIDE PRE-CUT CONFIGURATION SERVICE FOR THIS DOOR. ADD-IN LITE FRAME AVAILABLE IN SOLUTION DOORLITE SERIES.

MATCHING SIDELITES



SLS3FL
Available Widths:
1' 0"
1' 2"

Spec Page = 33



SLS3S
Available Widths:
1' 0"
1' 2"

Spec Page = 34



SLS3SL
Available Widths:
1' 0"
1' 2"

Spec Page = 35