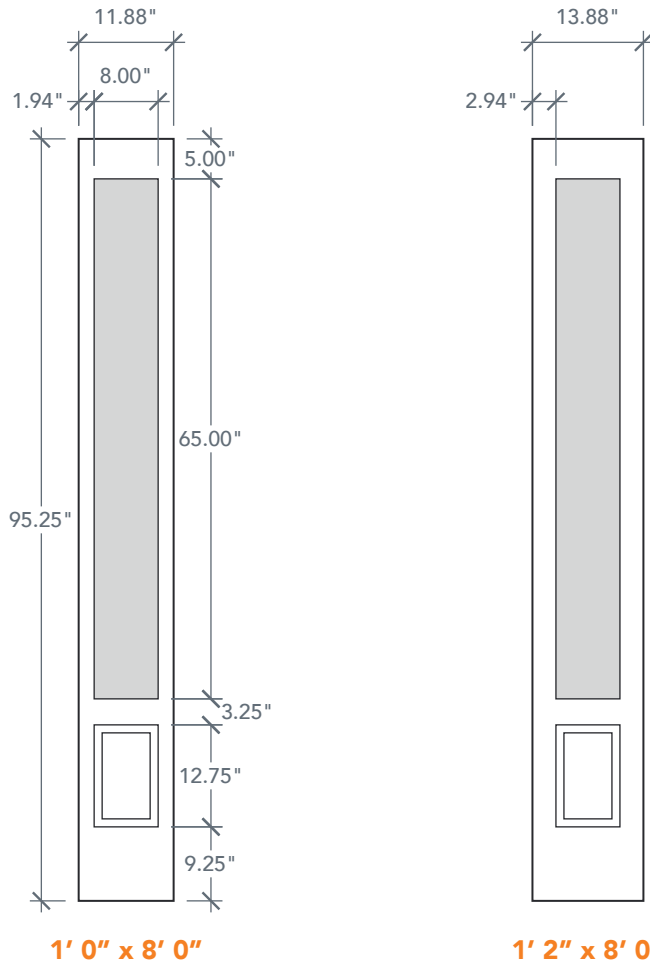


8'0" SLS3080 3/4 THREE PANEL SIDELITE

SMOOTH SERIES
2024 PLASTPRO SPECBOOK PAGE: 154

AVAILABLE SIZING

ARTWORK SCALE: 1/2"=1'

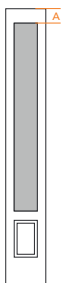


1' 0" x 8' 0"

1' 2" x 8' 0"

NOTE: BY REQUEST, SIDELITE HEIGHT COMES IN VARYING DIMENSIONS TO A MINIMUM OF 95". EXCESS WILL BE TAKEN FROM BOTTOM RAIL. ALL OTHER DIMENSIONS WILL REMAIN THE SAME.

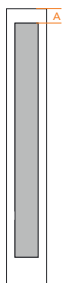
CUTOUTS & GLASS



| 3/4 LITE | |
|----------|--|
| FL1 | |

ALL Cutout 8" x 65"
Glass 7" x 64"

A = 5.0"



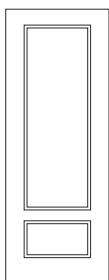
| FULL LITE | |
|-----------|--|
| FL2 | |

ALL Cutout 9" x 81"
Glass 8" x 80"

A = 5.0"

A = DISTANCE FROM TOP OF DOOR TO TOP OF OPENING

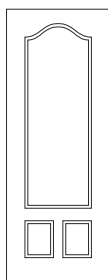
MATCHING DOORS



DRS2980

Available Widths:
2' 8"
2' 10"
3' 0"

Spec Page = 128



DRS3080

Available Widths:
2' 8"
3' 0"
3' 6"

Spec Page = 131