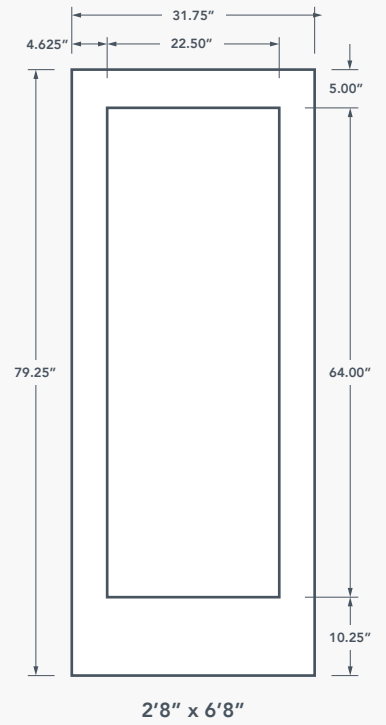
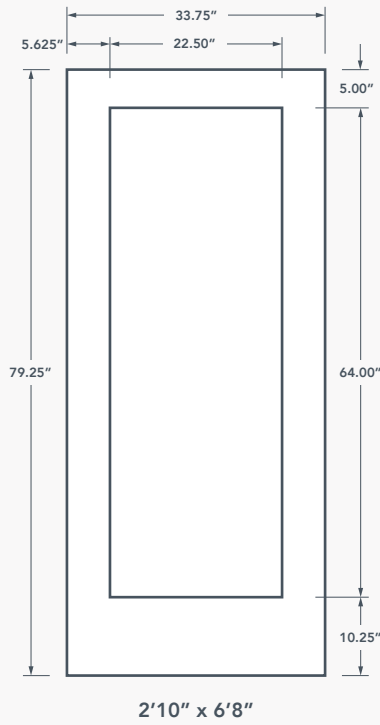
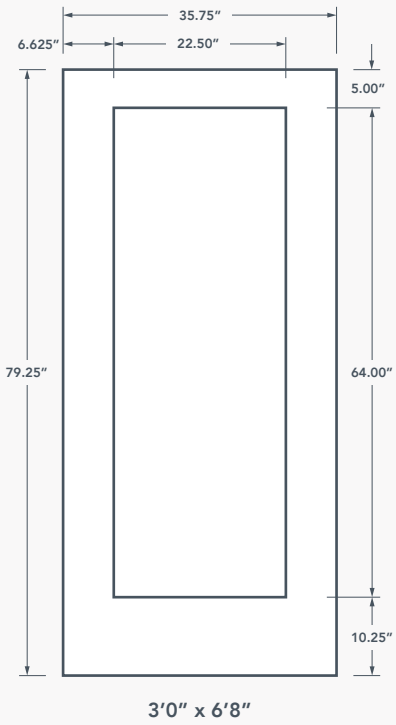
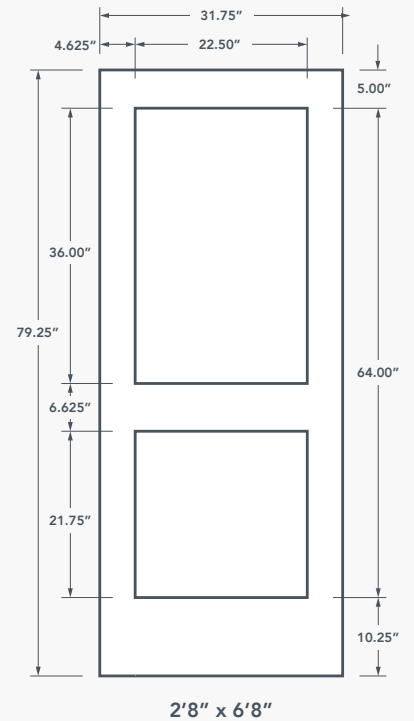
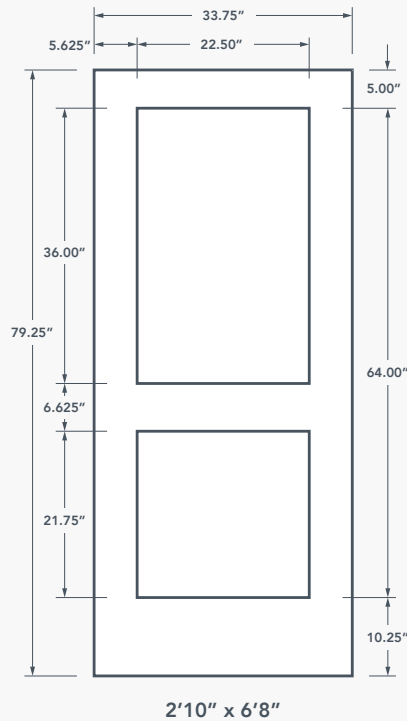
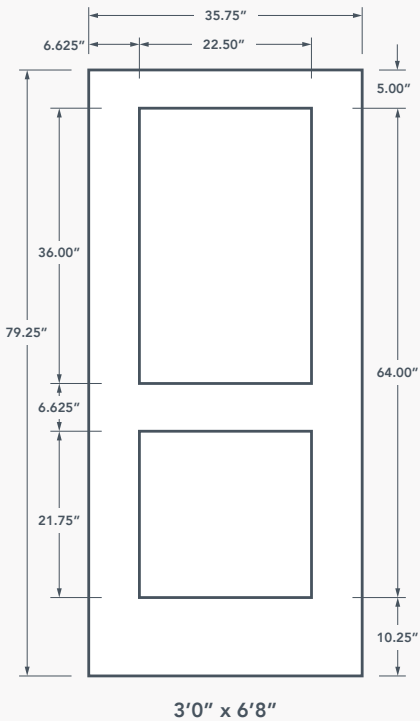


6'8" 1 PANEL SHAKER CRAFTSMAN - DRS1K



6'8" 2 PANEL SHAKER CRAFTSMAN - DRS2K



SHAKER CRAFTSMAN

1 PANEL & 2 PANEL
6'8" DOORS

AVAILABLE WIDTHS
2'8" • 2'10" • 3'0"