

## TRIMMABLE DOOR

### TRIMMING & FINISHING PROCEDURES

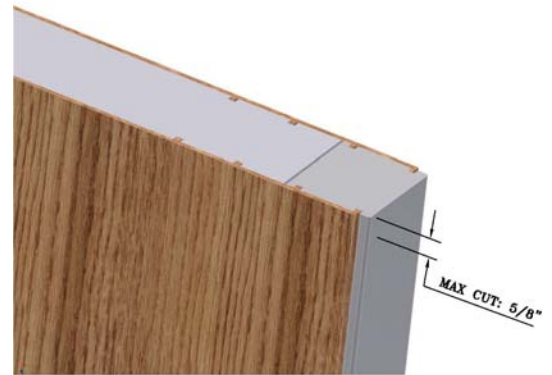
---

#### **General trimming information**

- Recommendation: carbide tip saw blades for trimming doors
- Record all data from top of door prior to trimming
- Break all sharp corners after cutting (320 grit sand paper or equivalent)
- To locate hinge side of door, look on the bottom of the door and locate the 1-1/4" fill hole. The hinges **MUST** be located on the same side as the fill hole.

#### **Trimming Door Top**

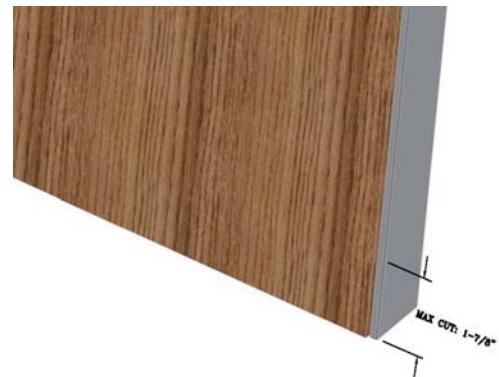
The top of the door has a maximum trim amount of 5/8". Exceeding this limit is not recommended. Trimming the top of the door will cut off all information pertaining to the door. Record all data from top of door prior to cutting.



#### **Trimming Door Bottom**

The bottom of the door has a maximum trim amount of 1-7/8". Exceeding this limit is not recommended. If bottom of door is trimmed, there are 3 options for attaching the bottom sweep.

- 1.) Re-router bottom of door to match the same dimensions that were factory machined.
- 2.) Staple bottom sweep to door.
- 3.) Glue bottom sweep to door.

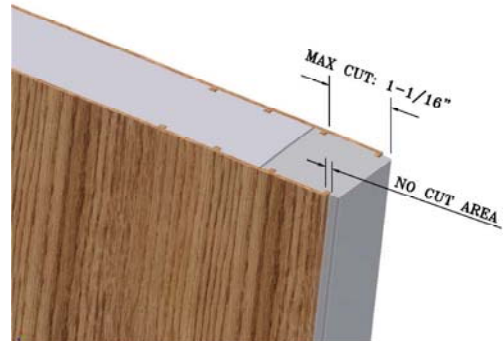


---

## **Trimming Door Sides (stiles)**

For a better cosmetic appearance, the skin ribs on the door assembly should be avoided when trimming the sides of your door. Follow the dimensions below:

- 1.) When trimming  $\frac{1}{4}$ " or less off of overall size; trim equivalent amount off of **BOTH** stiles.
- 2.) When trimming  $\frac{1}{4}$ " to  $\frac{1}{2}$ " off of overall size; trim from only **ONE** stile.
- 3.) When trimming  $\frac{1}{2}$ " to 2- $\frac{1}{8}$ " off of overall size; trim equivalent amount off of **BOTH** stiles. Trimming equivalent amounts will keep any panels centered.



---

## **Finishing Door Sides (stiles)**

Lightly sand and apply primer to all stile edges prior to finish coat of paint on the stile edge. The door skins do not need any primer or sanding. Follow finish coat paint manufacturer's recommendations for all other procedures.

---

## **Door Hardware Installation**

Pre-drill pilot holes into stile edges for all screw holes prior to hinge and handle installation. Follow hardware manufacturer's recommendations for all other procedures.

---

## **Other procedure help available**

Follow all other installation and painting guidelines found on the Plastpro website:

<http://www.plastproinc.com/fiberglass-door-resources/how-to-paint-fiberglass-doors.html>