



# NEW PRODUCT

## ADA Compliant Smooth Skin Flush Glazed Door



plastpro KNOW THE BEAUTY OF INNOVATION

Plastpro ADA Compliant Flush Glazed Door

- **6.5" Top Rail** - Accommodate regular and parallel arm closer.
- **Reinforced Stiles** - For panic bar hardware and exit rim devices.
- **10.5" Bottom Rail** - Comply with ADA codes.
- **5.5" Flat Stiles** - Accommodate all types of commercial hardware (including 2-3/4" backset 161 prep and mortise locks).
- **Size:**  
3/0 x 6/8  
3/0 x 7/0  
3/0 x 8/0
- **Available through special order:**  
Sound Barrier glass (STC:34)  
3/6 and 4/0 widths



Reinforced for  
Closer



Reinforced for  
Panic Bar or  
Exit Rim Device



- **6.5" Top Rail** - Accommodates regular and parallel arm closer.
- **Reinforced Stiles** - For panic bar hardware and exit rim devices.
- **10.5" Bottom Rail** - Complies with ADA codes.
- **5.5" Flat Stiles** - Accommodates all types of commercial hardware (including 2-3/4" backset 161 prep and mortise locks).
- **Size:**  
3/0 x 6/8  
3/0 x 7/0  
3/0 x 8/0

Available through special order:  
Sound Barrier Glass (STC:34)  
3/6 and 4/0 widths

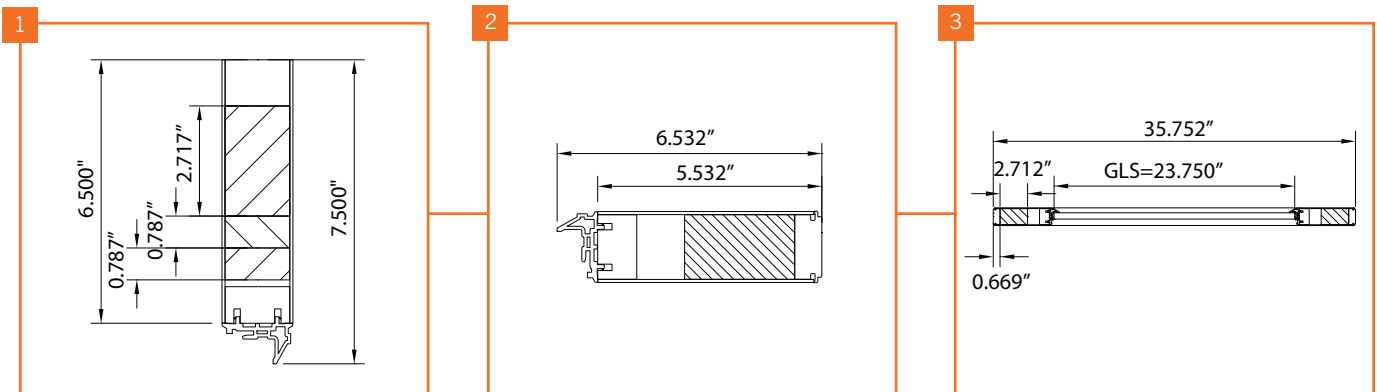


KNOW THE BEAUTY OF INNOVATION

\*Hardware is sold separately by plastpro's distributors



## ADA Compliant Smooth Skin Flush Glazed Door



5200 W. Century Blvd. 9F Los Angeles, CA 90045

Tel: 1.800.779.0561 Fax: 1.310.693.8620 • www.plastproinc.com

© 2010 Plastpro 2000, Inc. All rights reserved. Part# MKLADB2010 Printed Mar 2010

 **plastpro**<sup>®</sup>  
KNOW THE BEAUTY OF INNOVATION