



NEW PRODUCT

ADA Compliant Smooth Skin Flush Glazed Door



plastpro KNOW THE BEAUTY OF INNOVATION

Plastpro ADA Compliant Flush Glazed Door

- **6.5" Top Rail** - Accommodate regular and parallel arm closer.
- **Reinforced Stiles** - For panic bar hardware and exit rim devices.
- **10.5" Bottom Rail** - Comply with ADA codes.
- **5.5" Flat Stiles** - Accommodate all types of commercial hardware (including 2-3/4" backset 161 prep and mortise locks).
- **Size:**
3/0 x 6/8
3/0 x 7/0
3/0 x 8/0
- **Available through special order:**
Sound Barrier glass (STC:34)
3/6 and 4/0 widths



Reinforced for
Closer



Reinforced for
Panic Bar or
Exit Rim Device



- **6.5" Top Rail** - Accommodates regular and parallel arm closer.
- **Reinforced Stiles** - For panic bar hardware and exit rim devices.
- **10.5" Bottom Rail** - Complies with ADA codes.
- **5.5" Flat Stiles** - Accommodates all types of commercial hardware (including 2-3/4" backset 161 prep and mortise locks).
- **Size:**
3/0 x 6/8
3/0 x 7/0
3/0 x 8/0

Available through special order:
Sound Barrier Glass (STC:34)
3/6 and 4/0 widths

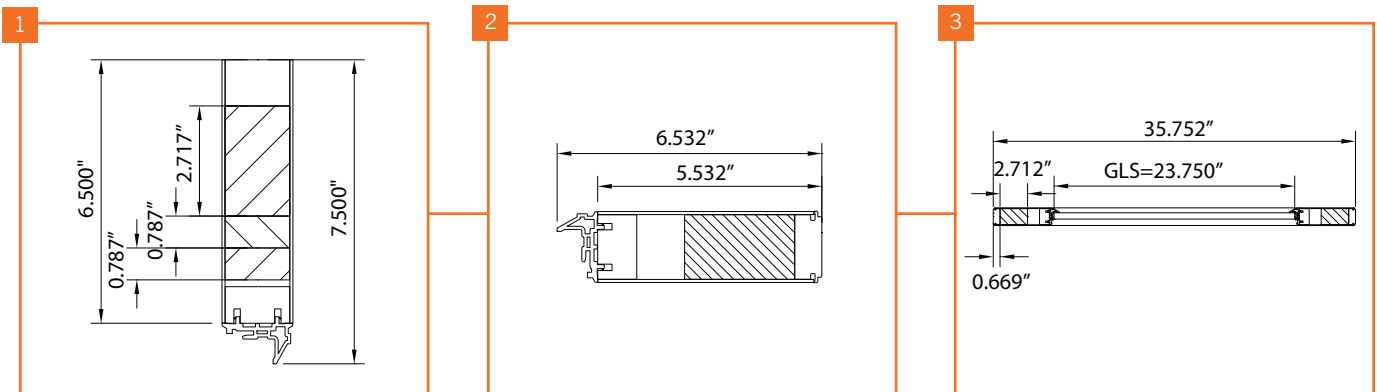


KNOW THE BEAUTY OF INNOVATION

*Hardware is sold separately by plastpro's distributors



ADA Compliant Smooth Skin Flush Glazed Door



5200 W. Century Blvd. 9F Los Angeles, CA 90045

Tel: 1.800.779.0561 Fax: 1.310.693.8620 • www.plastproinc.com

© 2010 Plastpro 2000, Inc. All rights reserved. Part# MKLADB2010 Printed Mar 2010

 **plastpro**[®]
KNOW THE BEAUTY OF INNOVATION



plastpro inc.
5200 W. Century Blvd. 9F
Los Angeles, CA 90045
Tel: 1.800.779.0561
Fax: 1.310.693.8620

Date: 03.22.10

Dear Valued Customer,

We are thrilled to announce our new product; the ADA Compliant Flush Glazed Door! The OneLite Smooth Skin ADA door series is available in three sizes and can be customized with Sound Barrier glass up to STC rating 34 upon request.

Features

Plastpro ADA door includes the exclusive 6.5" Top Rail that accommodates regular and parallel arm closer. Additional features are the 5.5" reinforced stiles for panic bar hardware and exit rim devices along with the standard 10.5" bottom rail that complies with ADA codes.

Benefits

The internal blocking eliminates any hardware being screwed into the foam and the reinforcement with lock rails from top to the bottom on both sides of the door enables additional security and durability. With such support, it practically eliminates warping and allows for almost all-residential and commercial hardware.

Product Details

▪ **Size**

3'0" x 6'8"

DRS11C
DRS11L
DRS11S

3'0" x 7'0"

DRS1170C
DRS1170L
DRS1170S

3'0" x 8'0"

DRS1180C
DRS1180L
DRS1180S

▪ **Finish**

Smooth Skin

▪ **Glass**

C = OneLite w/Clear IG

L = OneLite w/ LoE

S = OneLite w/ Sound Barrier Glass (Special Order. Call for Price)

You are welcome to contact your local Sales Representative or Plastpro Customer Service to request brochures for your customers.

Sincerely,

Francisco An
President of Plastpro