

ONYX NOVA 90

Enhance the aesthetics and natural lighting of your home with our Nova series, featuring direct glazed glass that creates a seamless and elegant design. Take a step further with our durable onyx pigmented fiberglass skin that gives you the contemporary look of a black door, but eliminates the need for frequent maintenance or painting.

DRS15

DRS1S80

SLS15

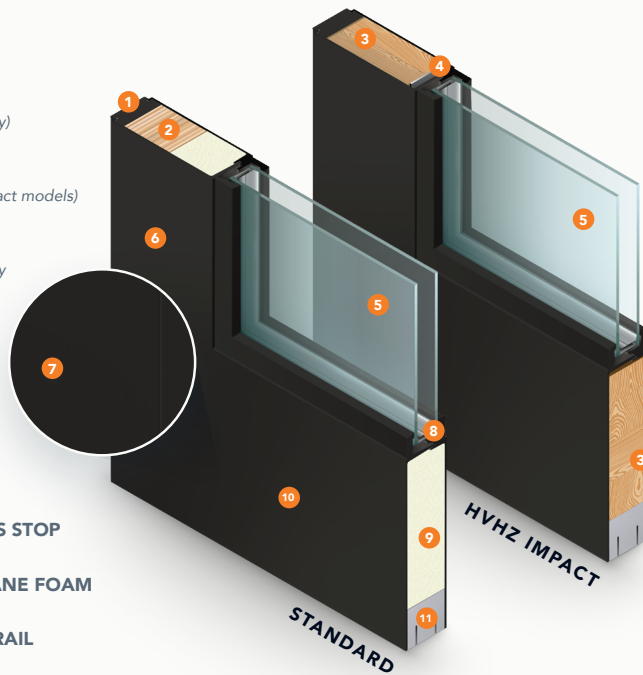
SLS1S80

DIRECT GLAZED
6'8" or 8'0" FULL LITE DOOR

AVAILABLE WIDTHS
2'0" • 2'6" • 2'8" • 2'10" • 3'0"

FEATURES & BENEFITS

- 1 COMPOSITE STILE CAP
- 2 FULL LENGTH LVL
(Hinge & Strike side, for extra rigidity)
- 3 WOOD BLOCKING
(For structural support in HVHZ Impact models)
- 4 STEEL BEAM
(Hinge & Strike side, for extra rigidity in all 8'0" and HVHZ Impact models)
- 5 INSULATED 1" GLASS
- 6 ONYX COMPRESSION MOLDED FIBERGLASS SKIN
- 7 BRUSH FINISHED TEXTURE
- 8 INTEGRALLY MOLDED GLASS STOP
- 9 HIGH DENSITY POLYURETHANE FOAM
- 10 ADA COMPLIANT BOTTOM RAIL
- 11 COMPOSITE BOTTOM RAIL



GLASS OPTIONS*

Also available in HVHZ Impact Glass



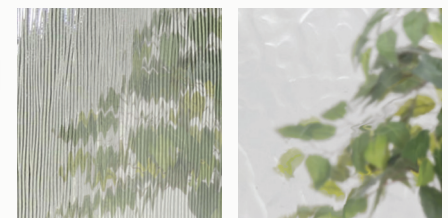
LowE 272 (Impact LowE 366)

MINI BLIND



TRANSLUCENT

RAIN



CHORD

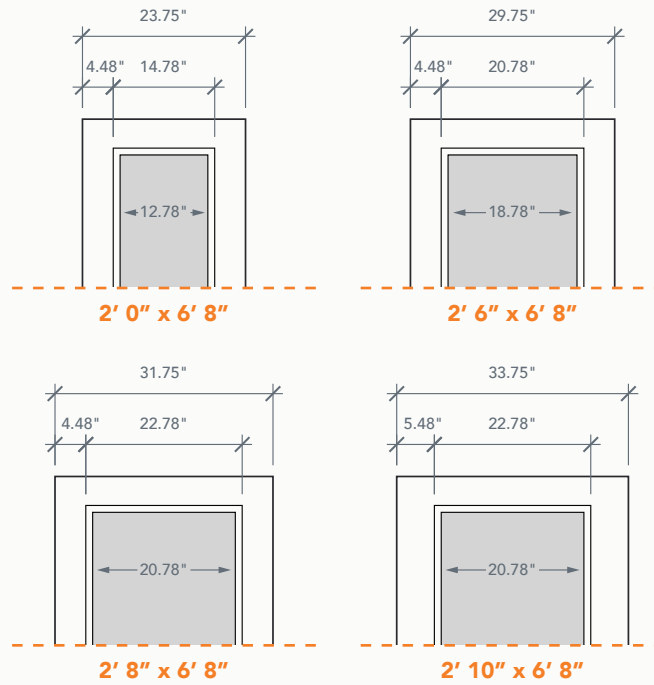
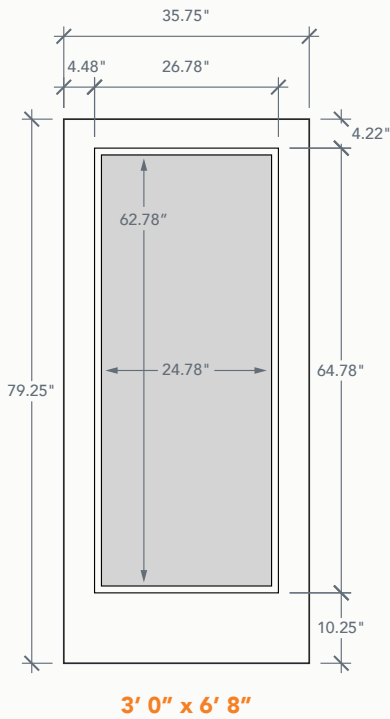
FLEMISH

*Approximate representations, actual product may vary.

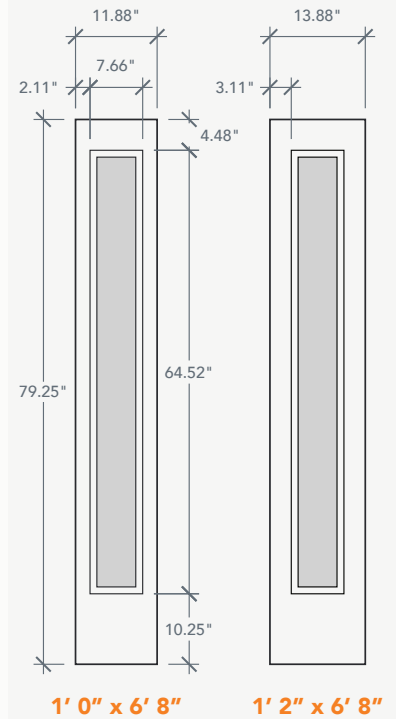
TO SEE THE FULL FLORIDA BUILDING CODE APPROVAL DOCUMENT, VISIT WWW.FLORIDABUILDING.ORG. THE NOVA 90 FL# IS 28093, 28095 & 29714.



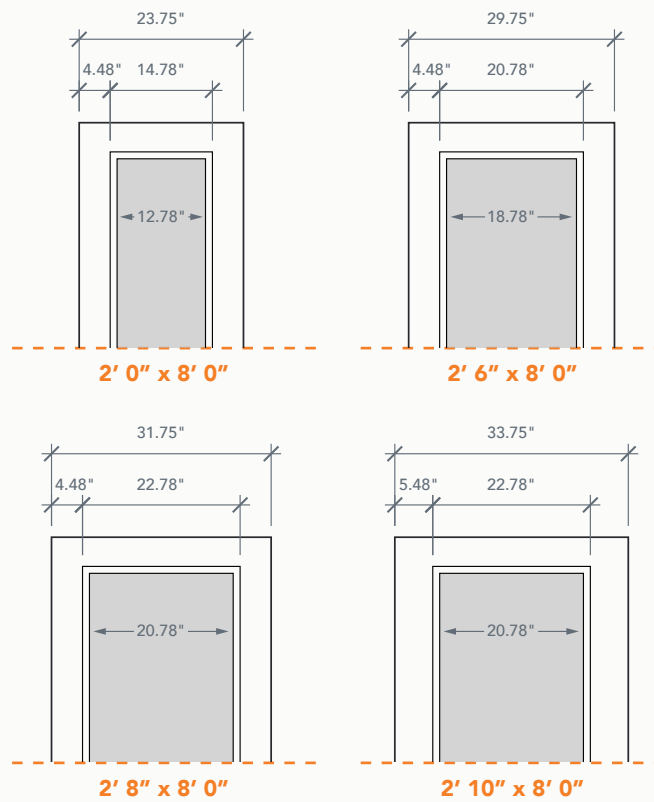
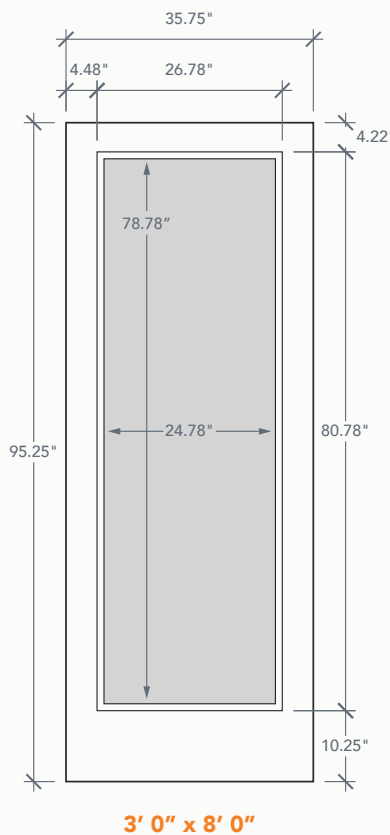
6'8" NOVA SERIES - DRS1S



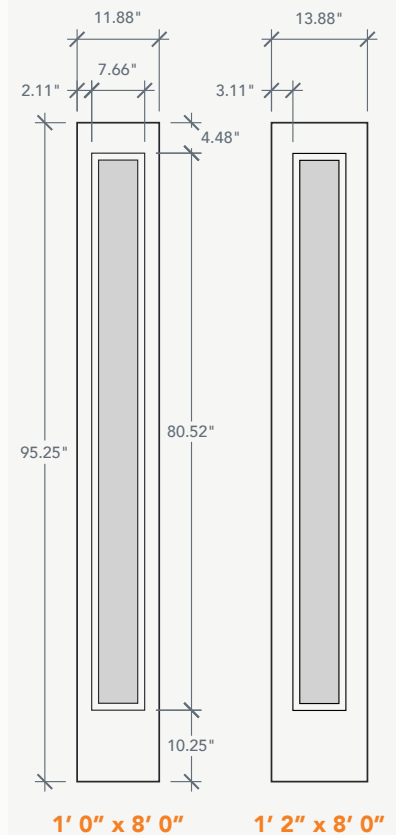
6'8" NOVA 90 SIDELITE



8'0" NOVA SERIES - DRS1S80



8'0" NOVA 90 SIDELITE



ONYX NOVA 90

DIRECT GLAZED
6'8" or 8'0" FULL LITE DOOR

AVAILABLE WIDTHS
2'0" • 2'6" • 2'8" • 2'10" • 3'0"